

[54] MATTRESS INSERT

[75] Inventors: Douglas R. Lawson; Michael W. Fountain, both of Kent, England

[73] Assignee: Thomas Jourdan plc, Windsor, England

[\*\*] Term: 14 Years

[21] Appl. No.: 478,206

[22] Filed: Mar. 23, 1983

[30] Foreign Application Priority Data

Sep. 23, 1982 [GB] United Kingdom ..... 1008864

[52] U.S. Cl. .... D6/606; D6/595; D6/596

[58] Field of Search ..... D6/595, 596, 597, 601, D6/604, 605, 606; 5/434, 436, 481, 441, 437, 465, 448, 462, 464, 420

[56] References Cited

U.S. PATENT DOCUMENTS

- D. 185,477 6/1959 Wuollett ..... D6/596
- D. 215,263 9/1969 Haas et al. .... D6/606

- 2,462,579 2/1949 Warner ..... 5/462
- 2,659,418 11/1953 Berman ..... 5/464 X
- 2,810,920 10/1957 Carruth ..... 5/462

FOREIGN PATENT DOCUMENTS

- 1464593 1/1967 France ..... 5/462

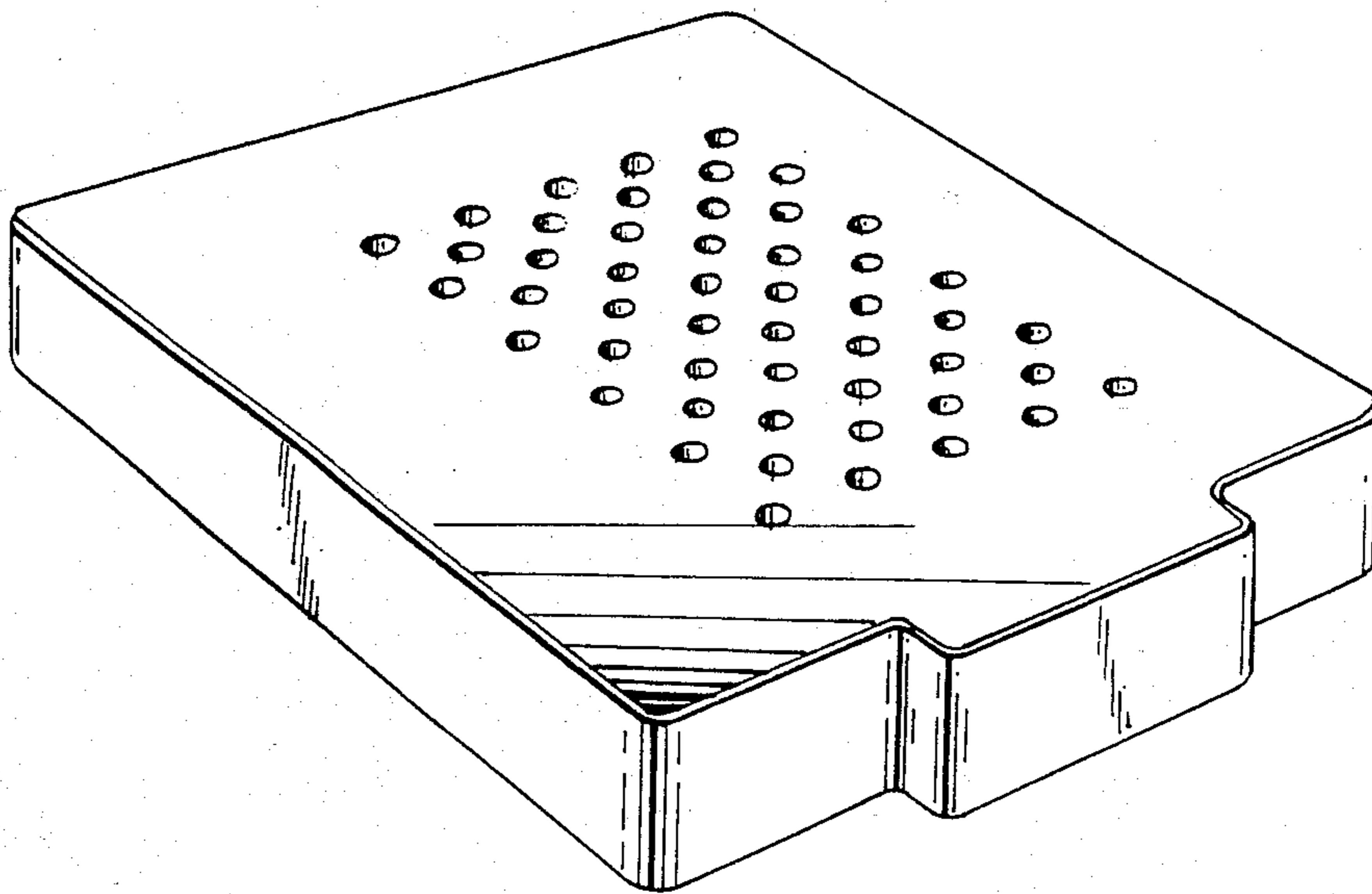
Primary Examiner—Bernard Ansher  
Assistant Examiner—Theodore M. Shooman  
Attorney, Agent, or Firm—Cushman, Darby & Cushman

[57] CLAIM

The ornamental design for a mattress insert, as shown and described.

DESCRIPTION

FIG. 1 is a top plan view of a mattress insert showing our new design, the bottom plan view being a mirror image thereof;  
FIG. 2 is a top right perspective view thereof;  
FIG. 3 is a top plan view of a modified form of our new design, the bottom plan view being a mirror image thereof; and  
FIG. 4 is a top right perspective view of the same modified form.



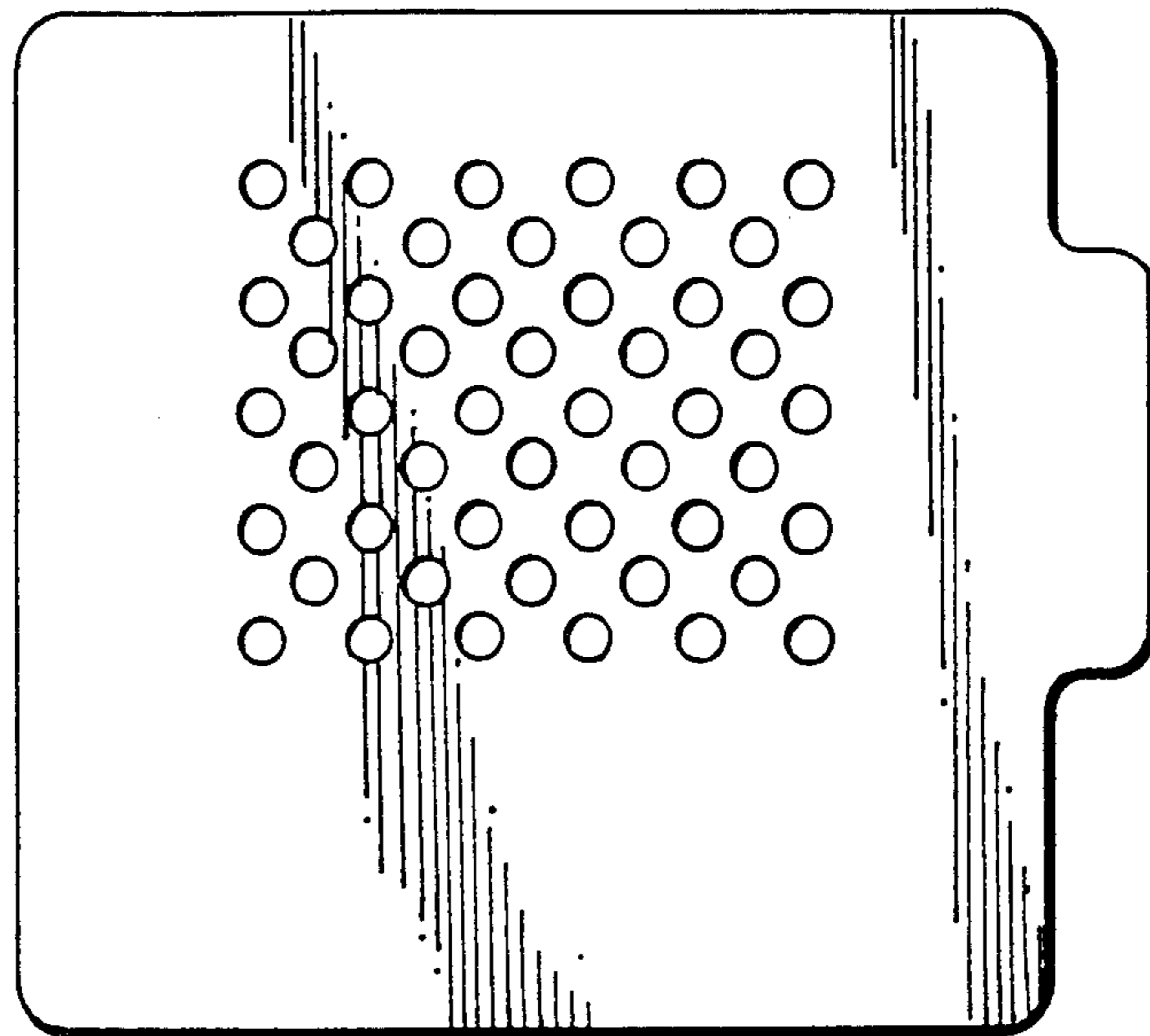


Fig.1.

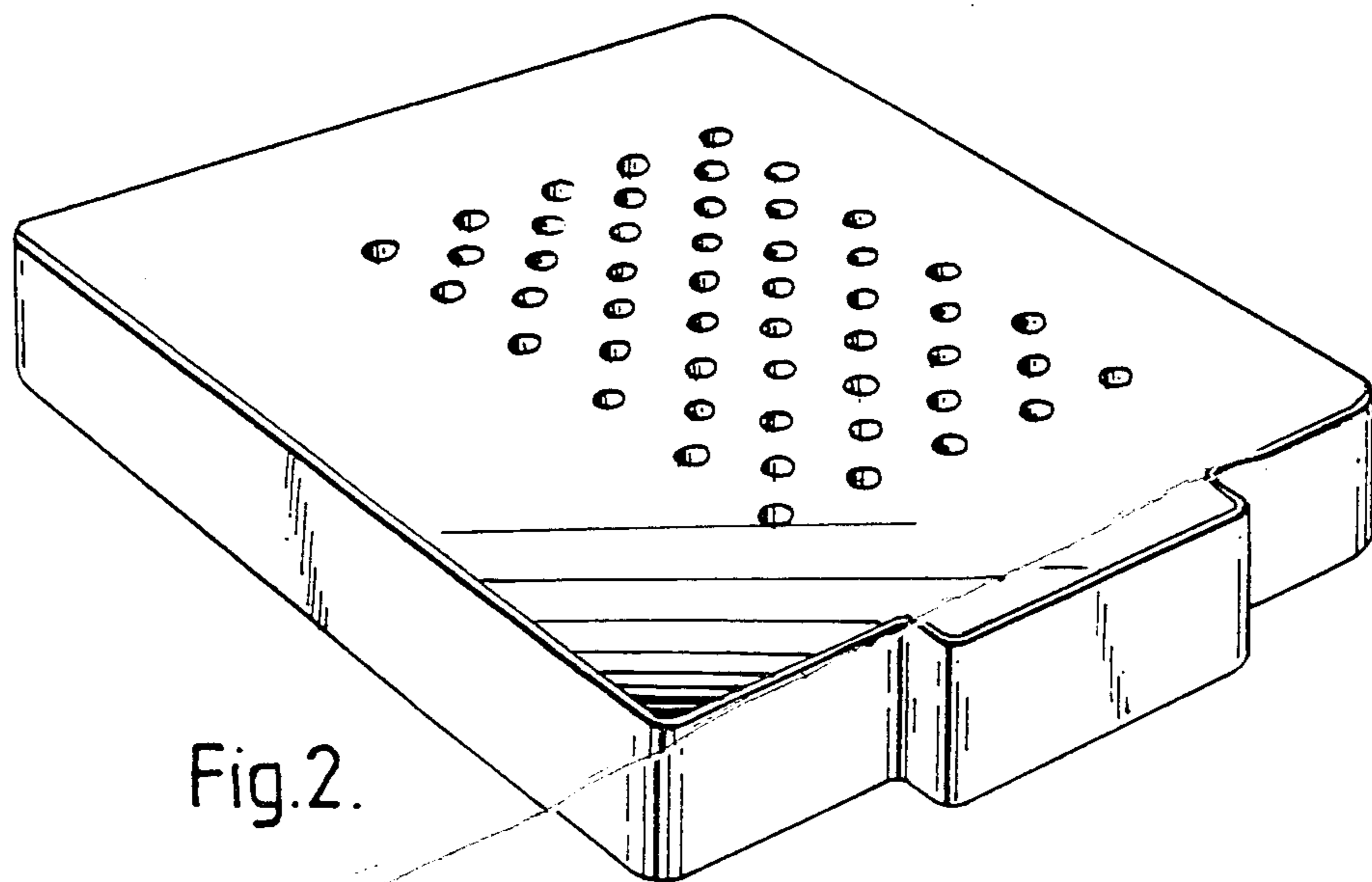


Fig.2.

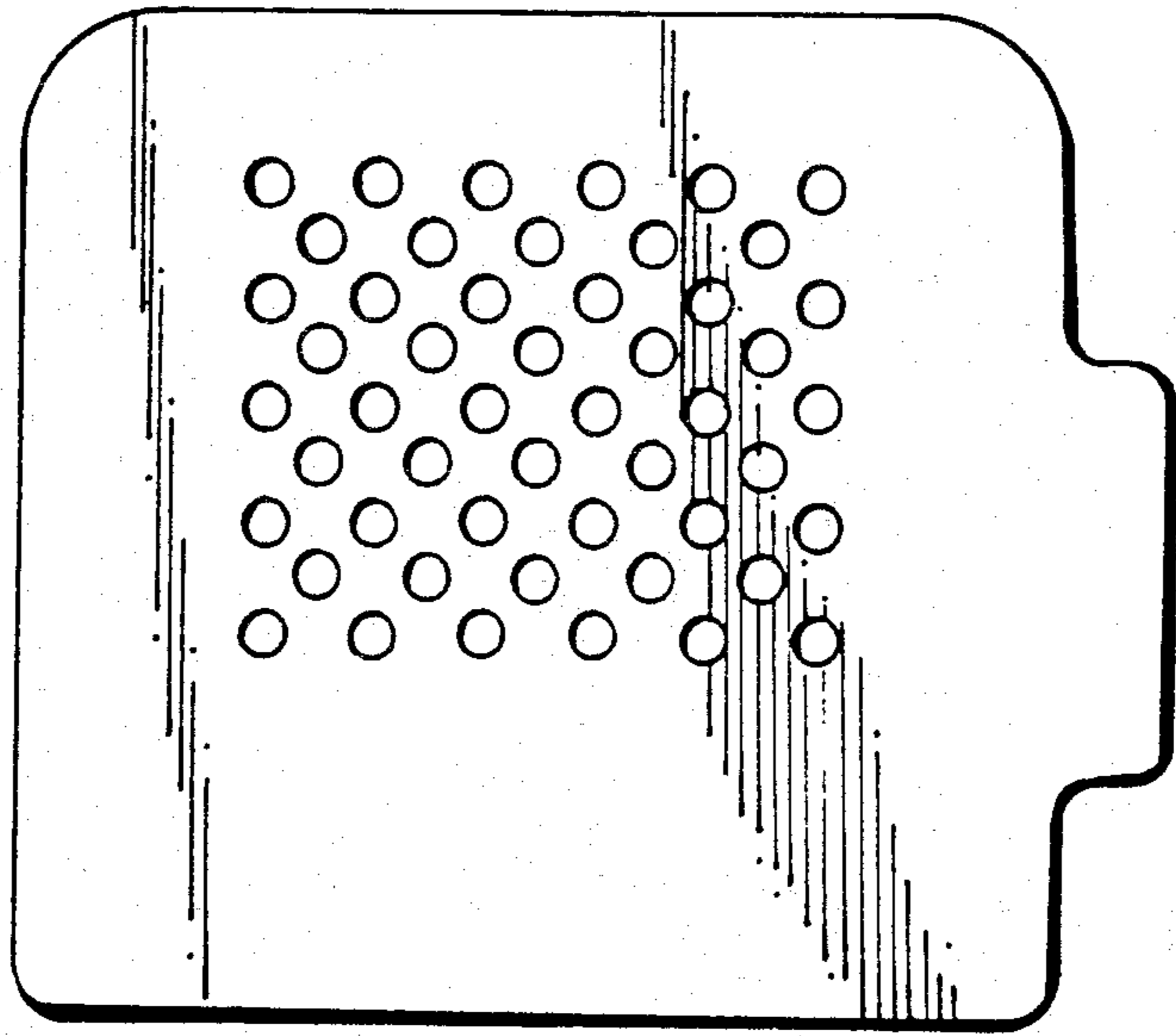


Fig. 3.

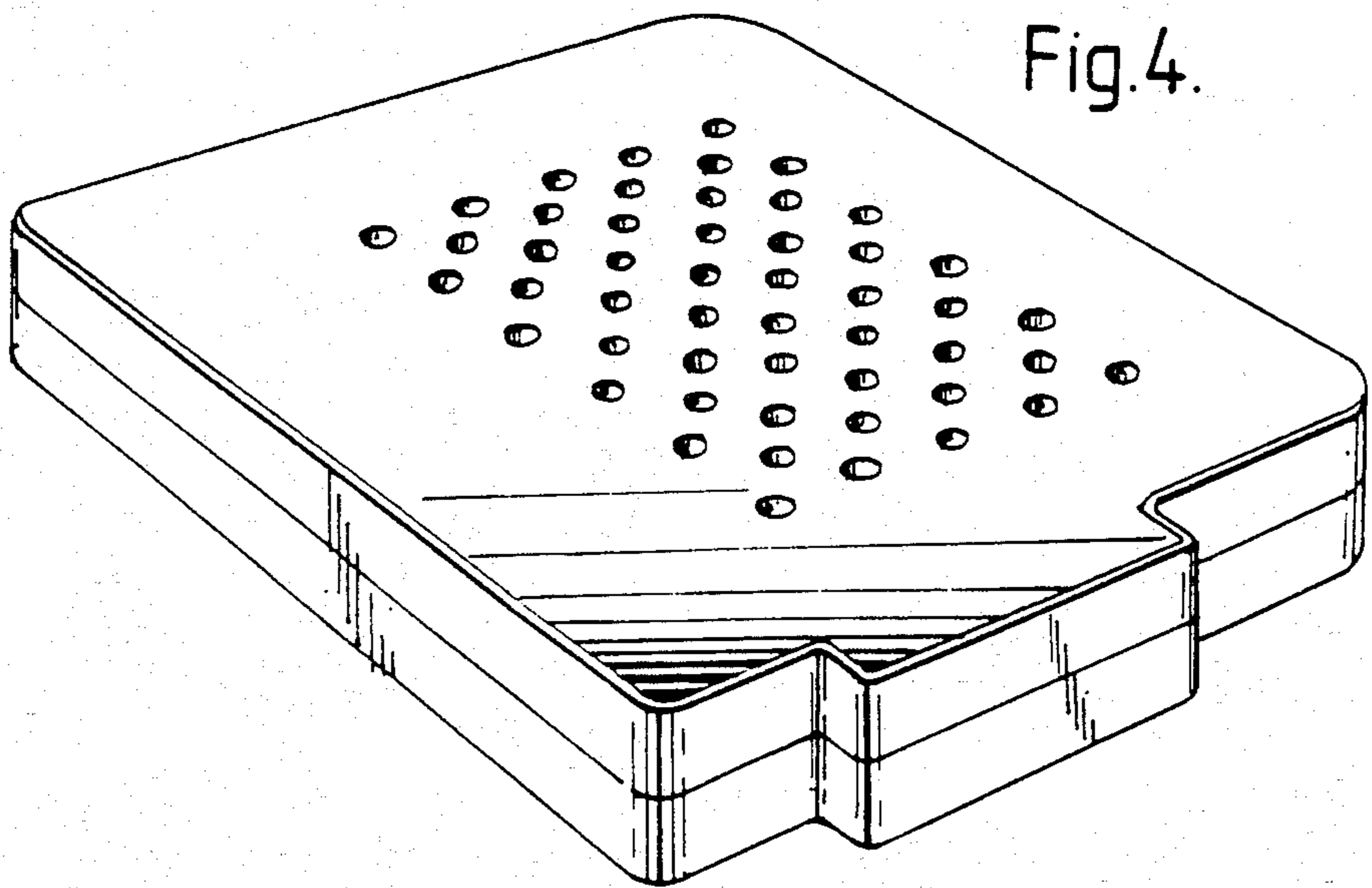


Fig. 4.