

[54] **PRINTER BENCH**

[76] Inventor: **Scott P. Janke**, 121 Peavy La.,
Wayzata, Minn. 55391

[**] Term: **14 Years**

[21] Appl. No.: **447,278**

[22] Filed: **Dec. 6, 1982**

[52] U.S. Cl. **D6/480**

[58] Field of Search D6/480, 485, 486, 449,
D6/451, 455, 511; 108/51

[56] **References Cited**

PUBLICATIONS

Industrial Design, Dec. 1969, p. 58, Table at center.

Interiors, Aug. 1976, p. 112, Table top center.

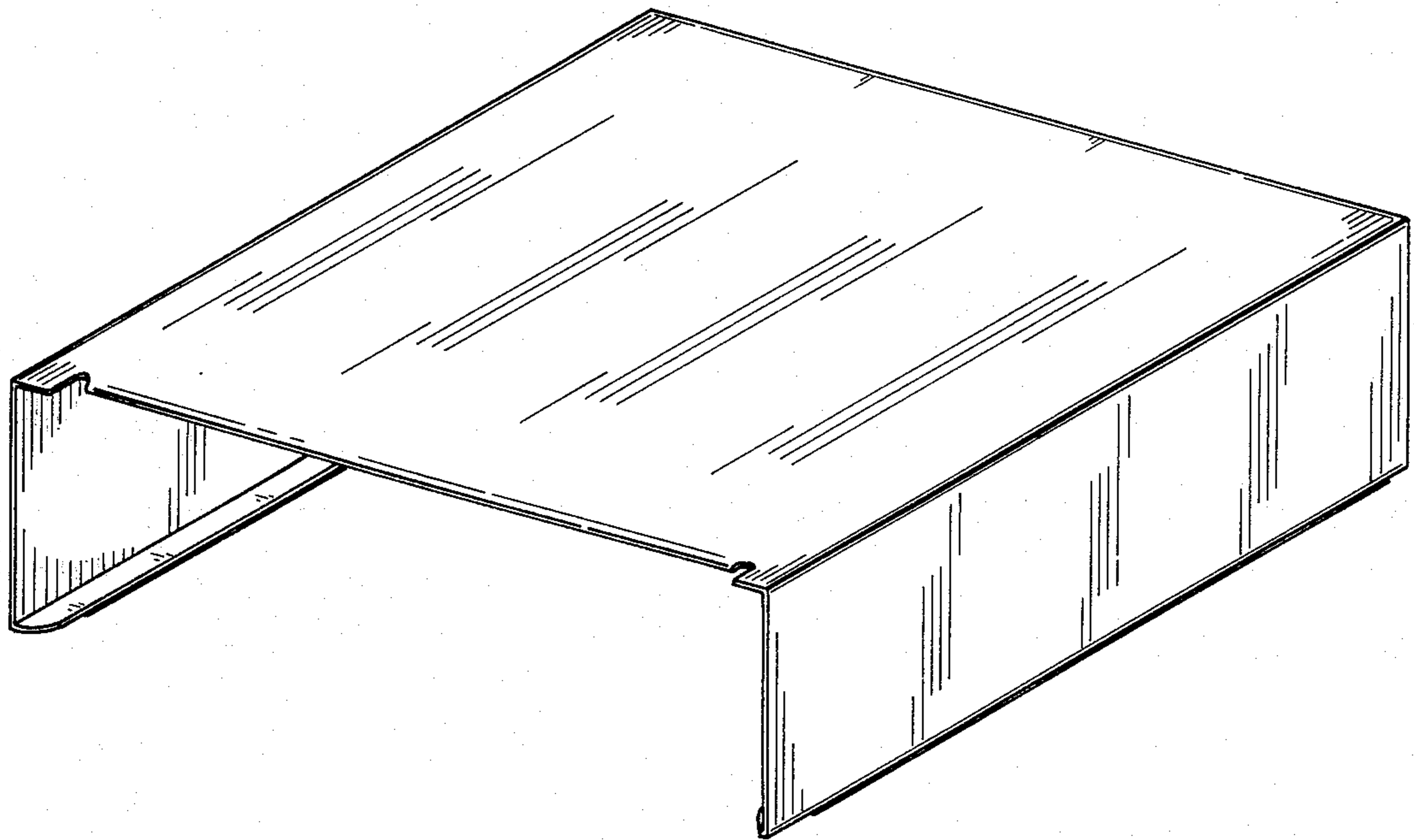
Primary Examiner—Bruce W. Dunkins
Attorney, Agent, or Firm—Hugh D. Jaeger

[57] **CLAIM**

The ornamental design for a printer bench, as shown.

DESCRIPTION

FIG. 1 is a front elevational view of a printer bench showing my design;
FIG. 2 is a rear elevational view;
FIG. 3 is a left side view;
FIG. 4 is a right side view;
FIG. 5 is a top view;
FIG. 6 is a bottom plan view; and
FIG. 7 is a perspective view thereof.



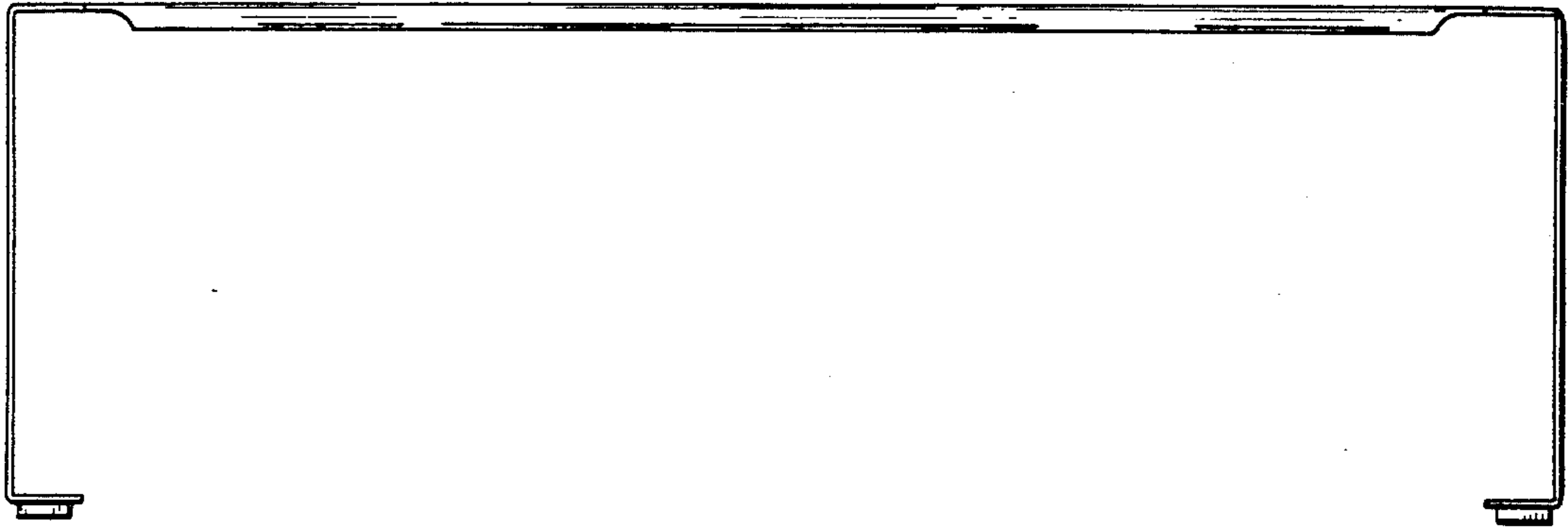


FIG. 1

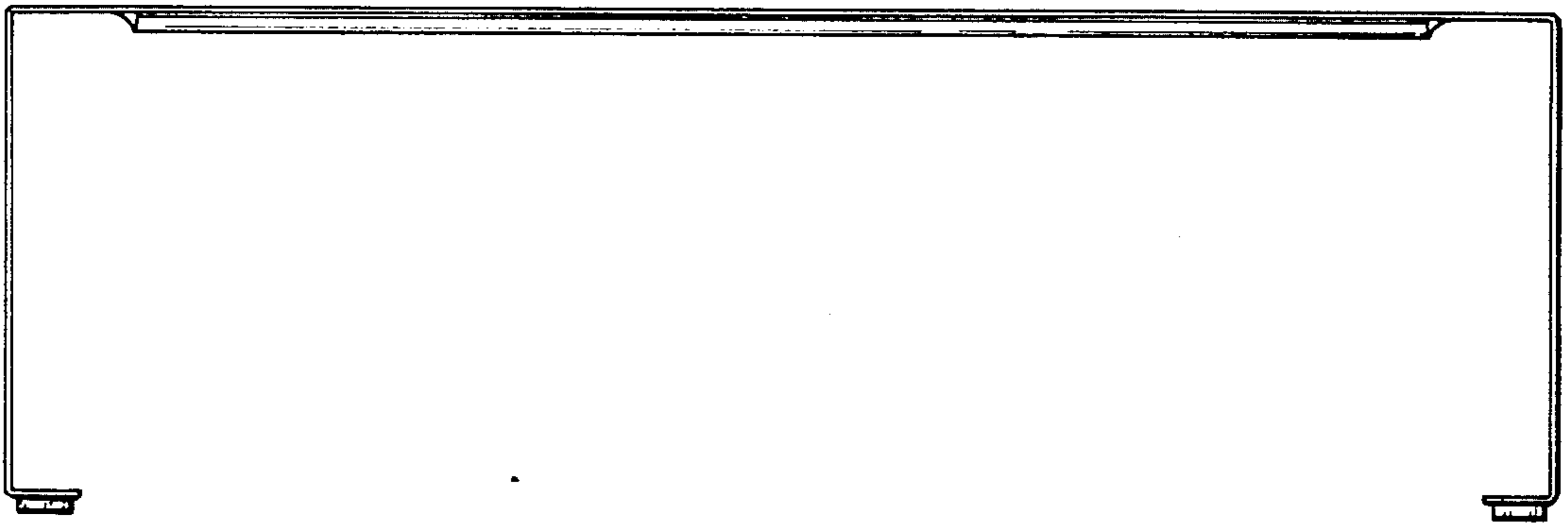


FIG. 2

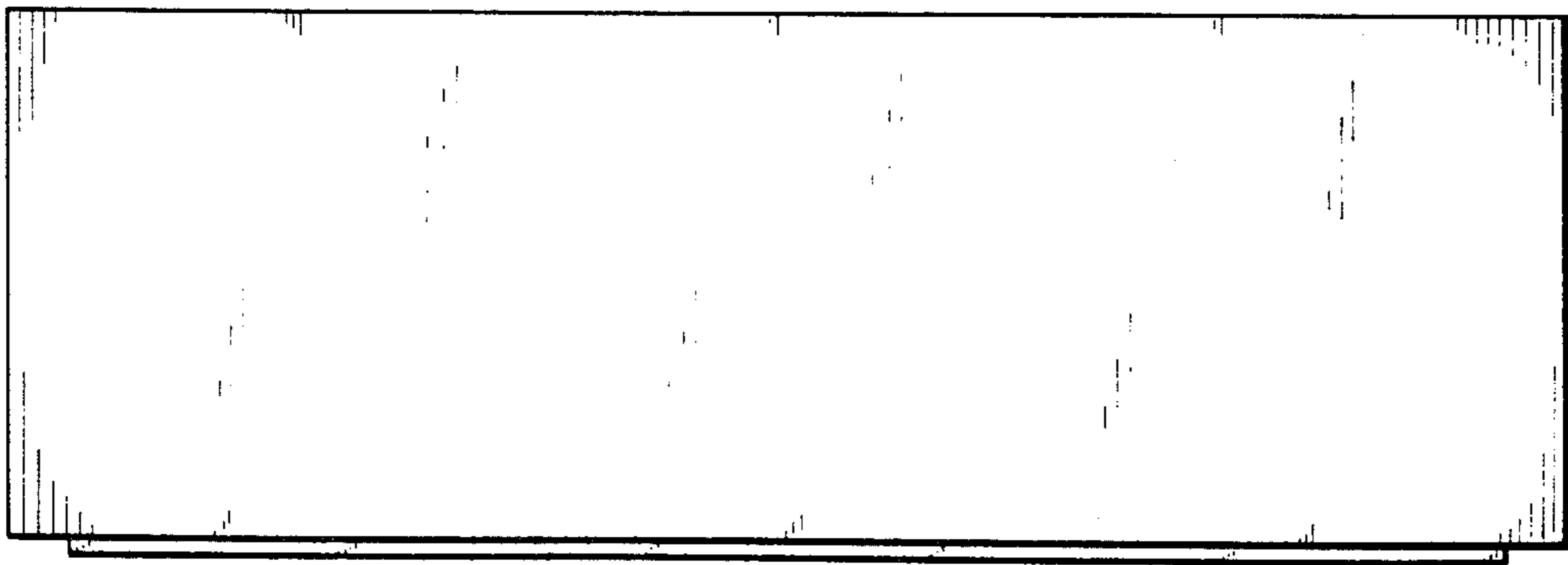


FIG. 3

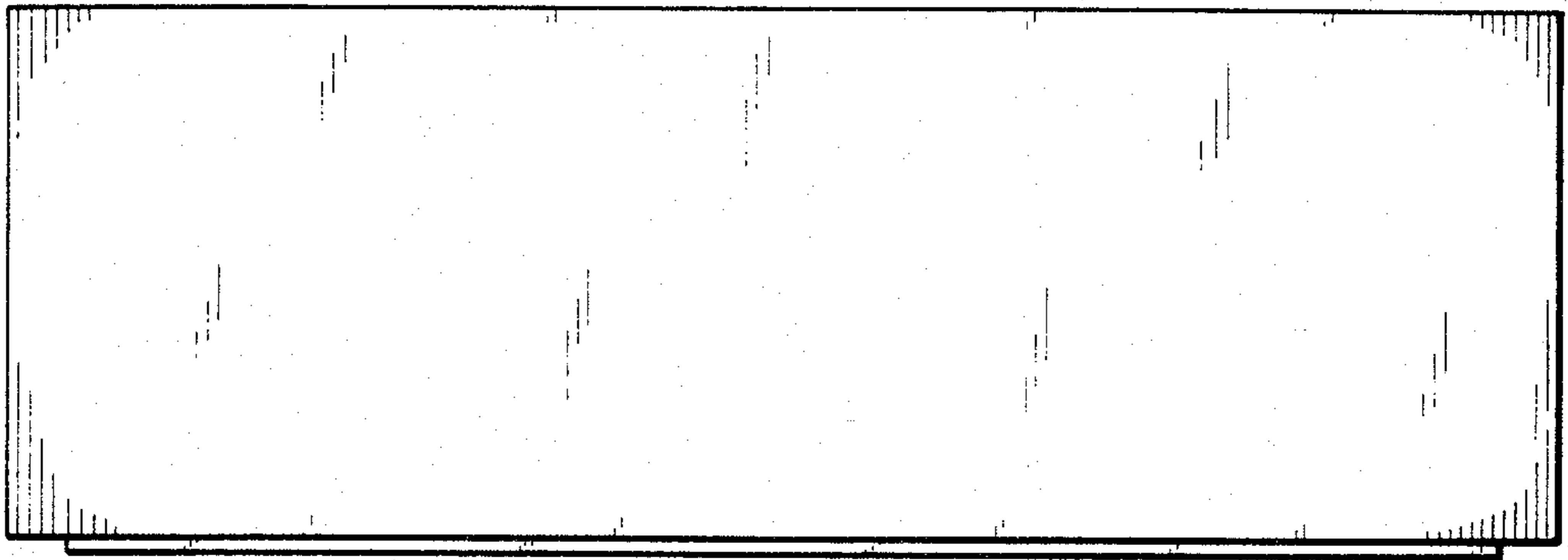


FIG. 4

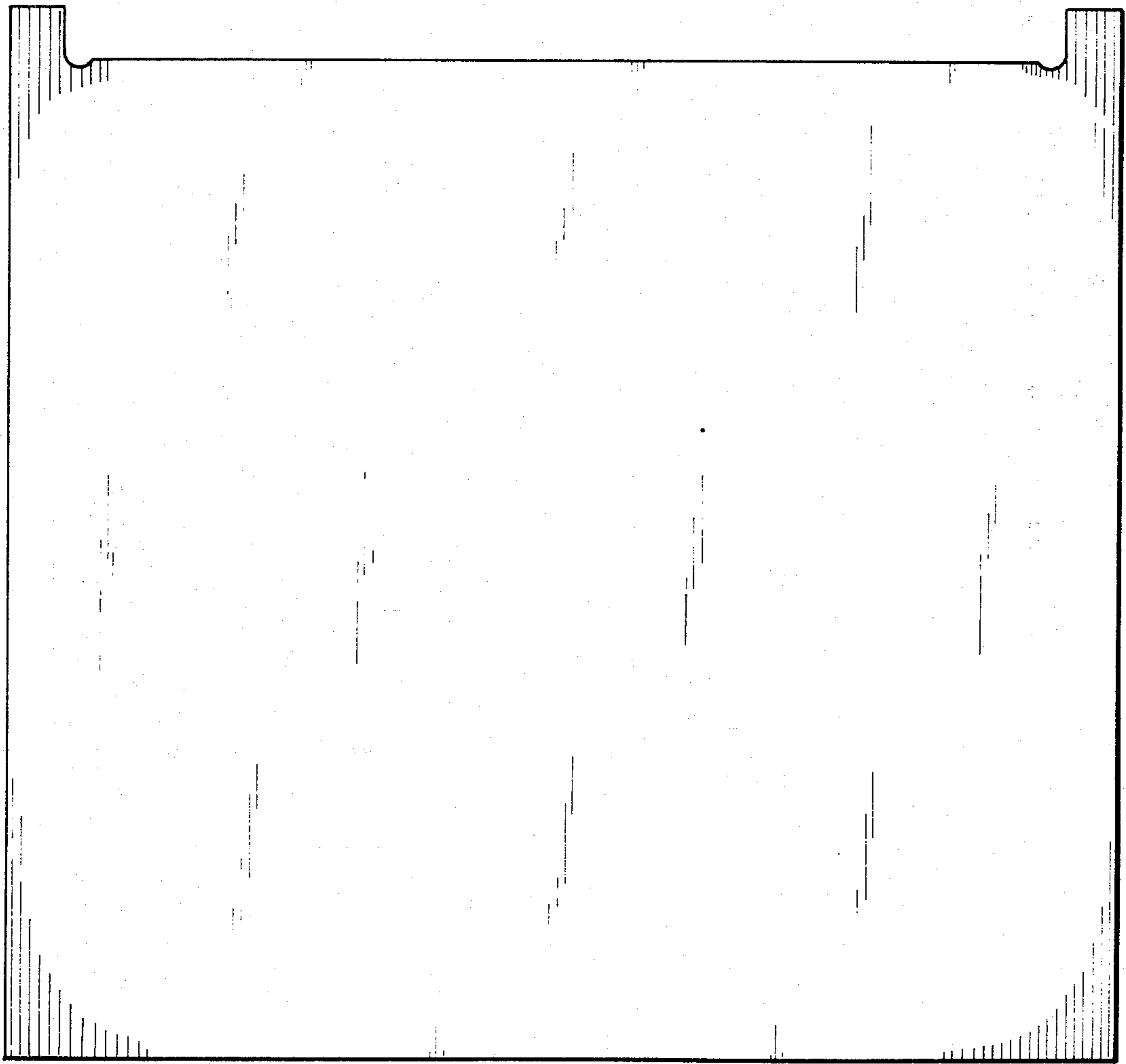


FIG. 5

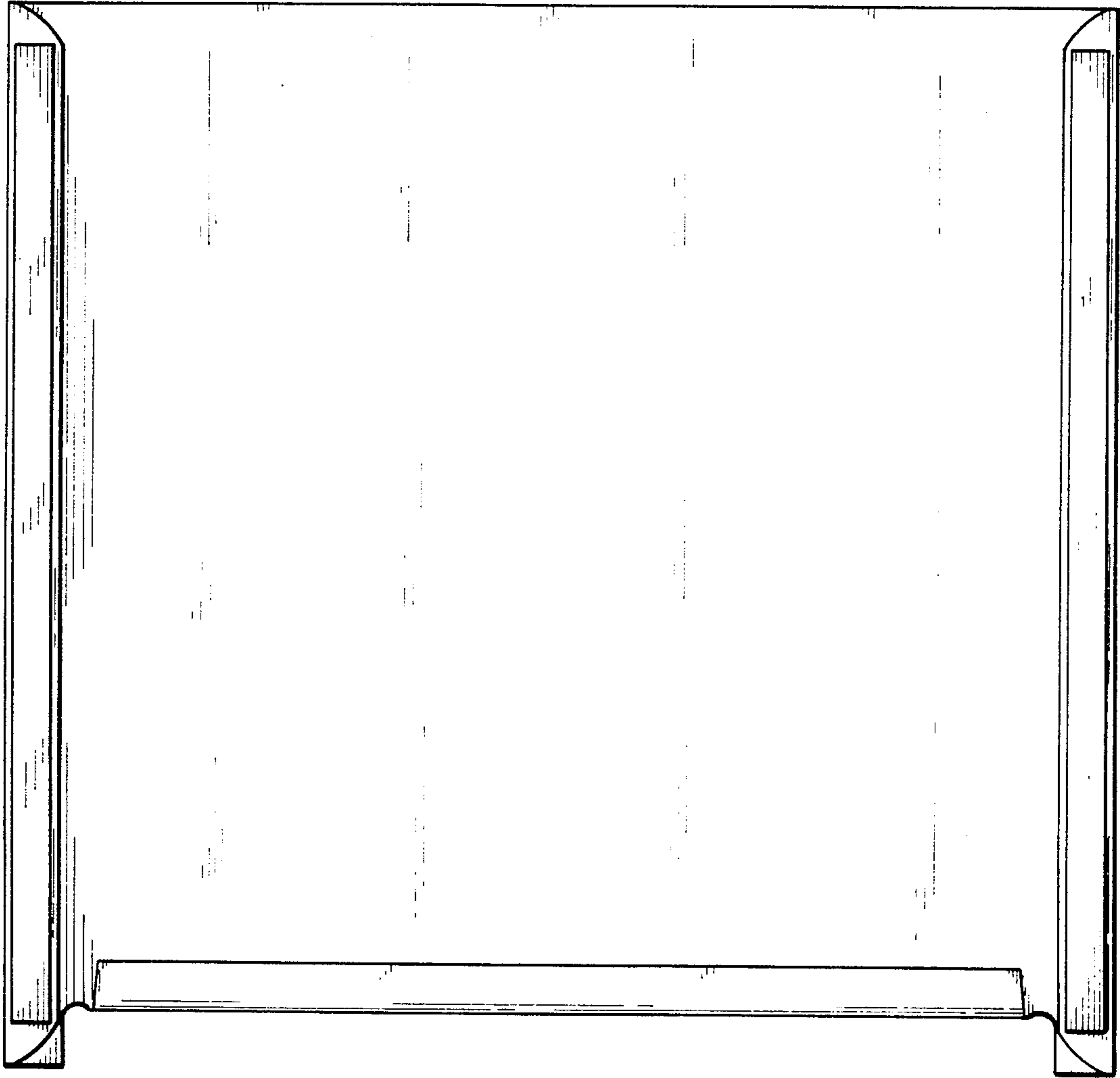


FIG. 6

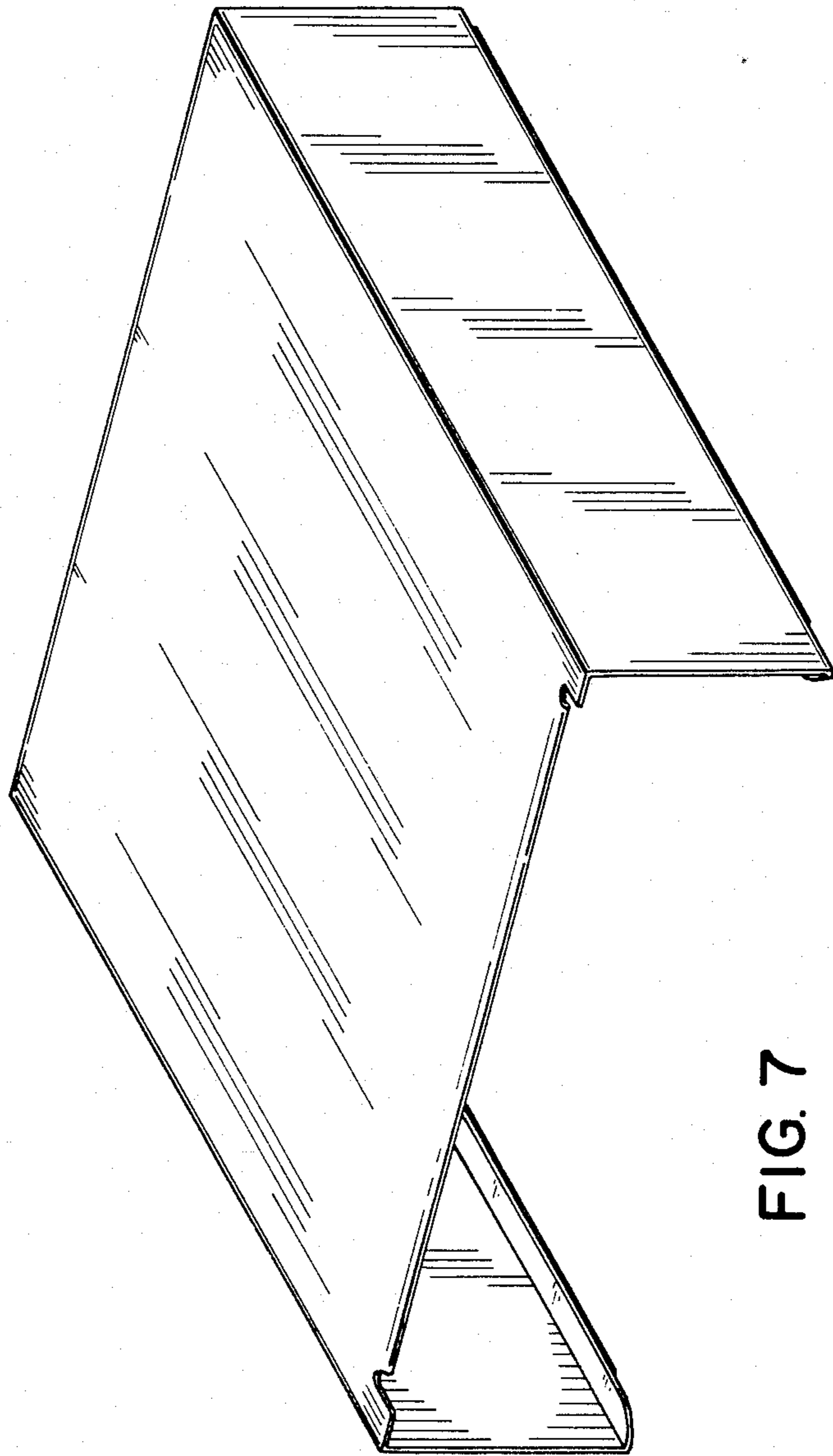


FIG. 7