

[54] **TOY BOX**

[75] **Inventor: Gary R. Lemmeyer, East Aurora, N.Y.**

[73] **Assignee: The Quaker Oats Company, Chicago, Ill.**

[**] **Term: 14 Years**

[21] **Appl. No.: 576,267**

[22] **Filed: Feb. 2, 1984**

[52] **U.S. Cl. D6/440; D6/434; D6/450; D21/121; D21/140**

[58] **Field of Search 446/75, 76; D6/440, D6/434, 450, 451; D21/140, 59, 71, 78, 109, 121**

[56]

References Cited

U.S. PATENT DOCUMENTS

D. 175,742	10/1955	Ruiz et al.	D21/140
D. 204,401	4/1966	McCartney	D6/440
D. 219,931	2/1971	Fogarty et al.	D21/140
D. 252,720	8/1979	Taylor	D6/450
2,665,522	1/1954	Junod	446/75

Primary Examiner—Charles A. Rademaker
Attorney, Agent, or Firm—Cumpston & Shaw

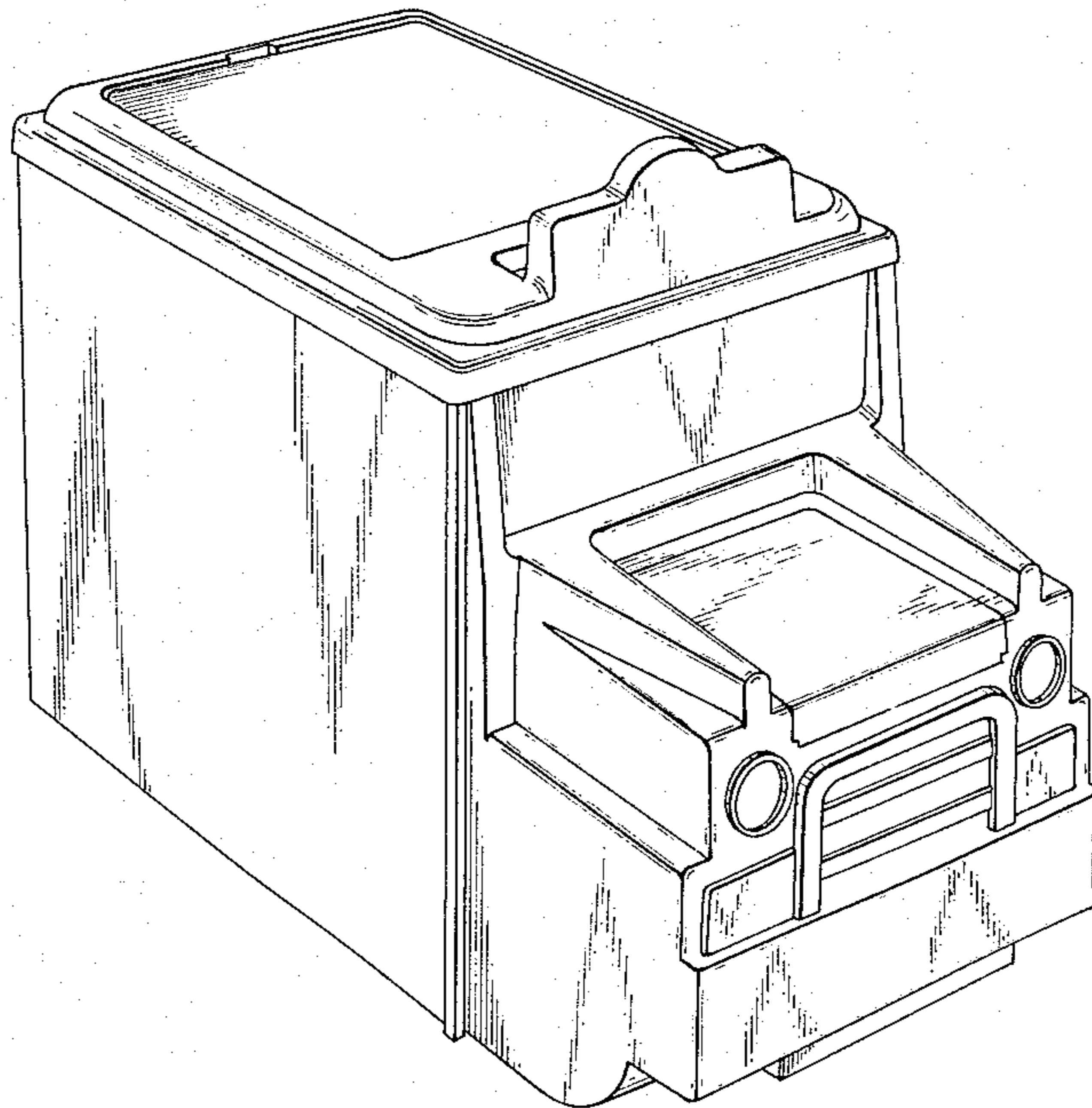
[57]

CLAIM

The ornamental design for a toy box, substantially as shown and described.

DESCRIPTION

FIG. 1 is a perspective view of the right side, front and top of a toy box showing my new design; FIG. 2 is a left-side elevational view thereof; FIG. 3 is a bottom plan view thereof; and FIG. 4 is a rear elevational view thereof.



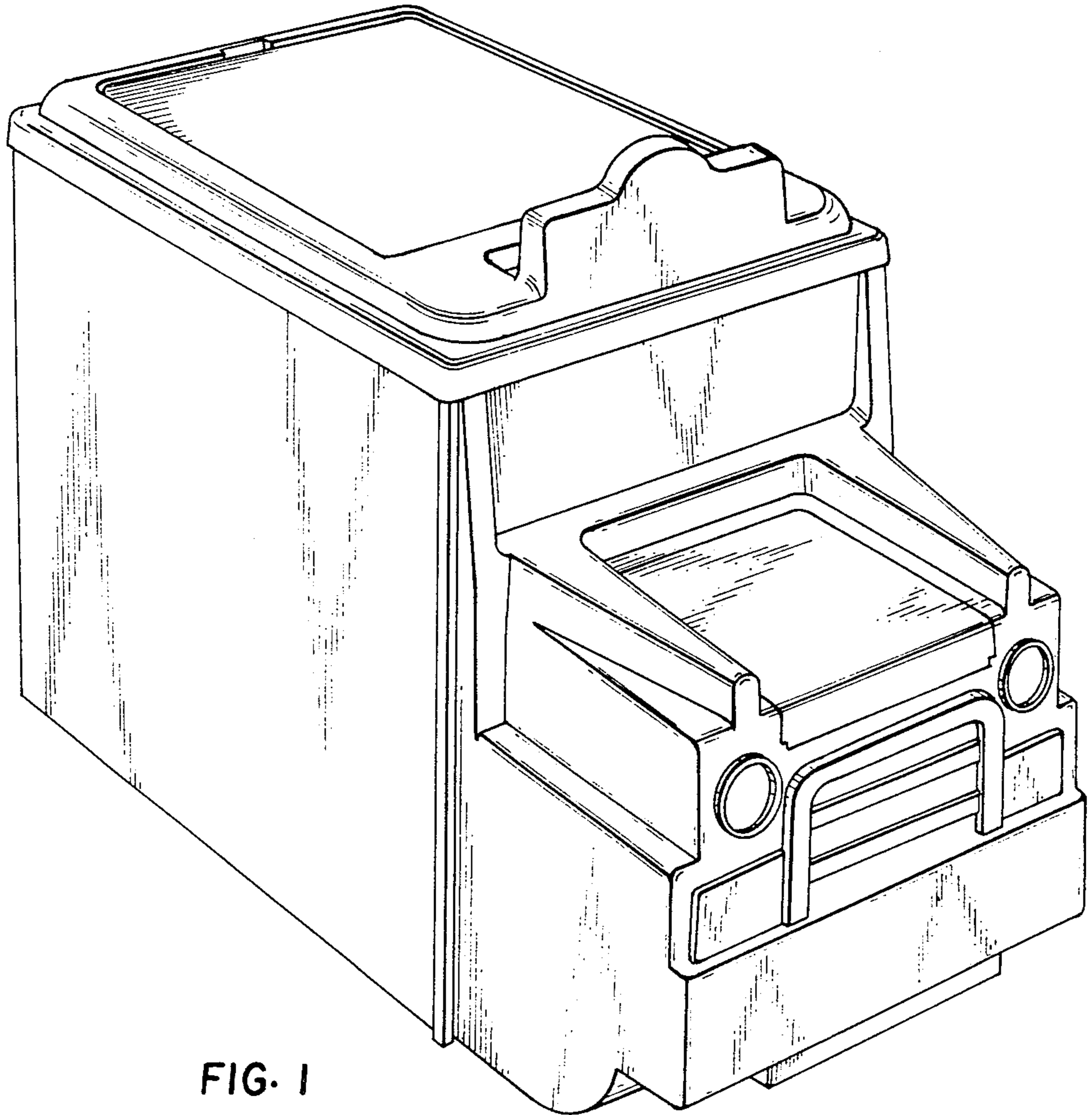


FIG. 1

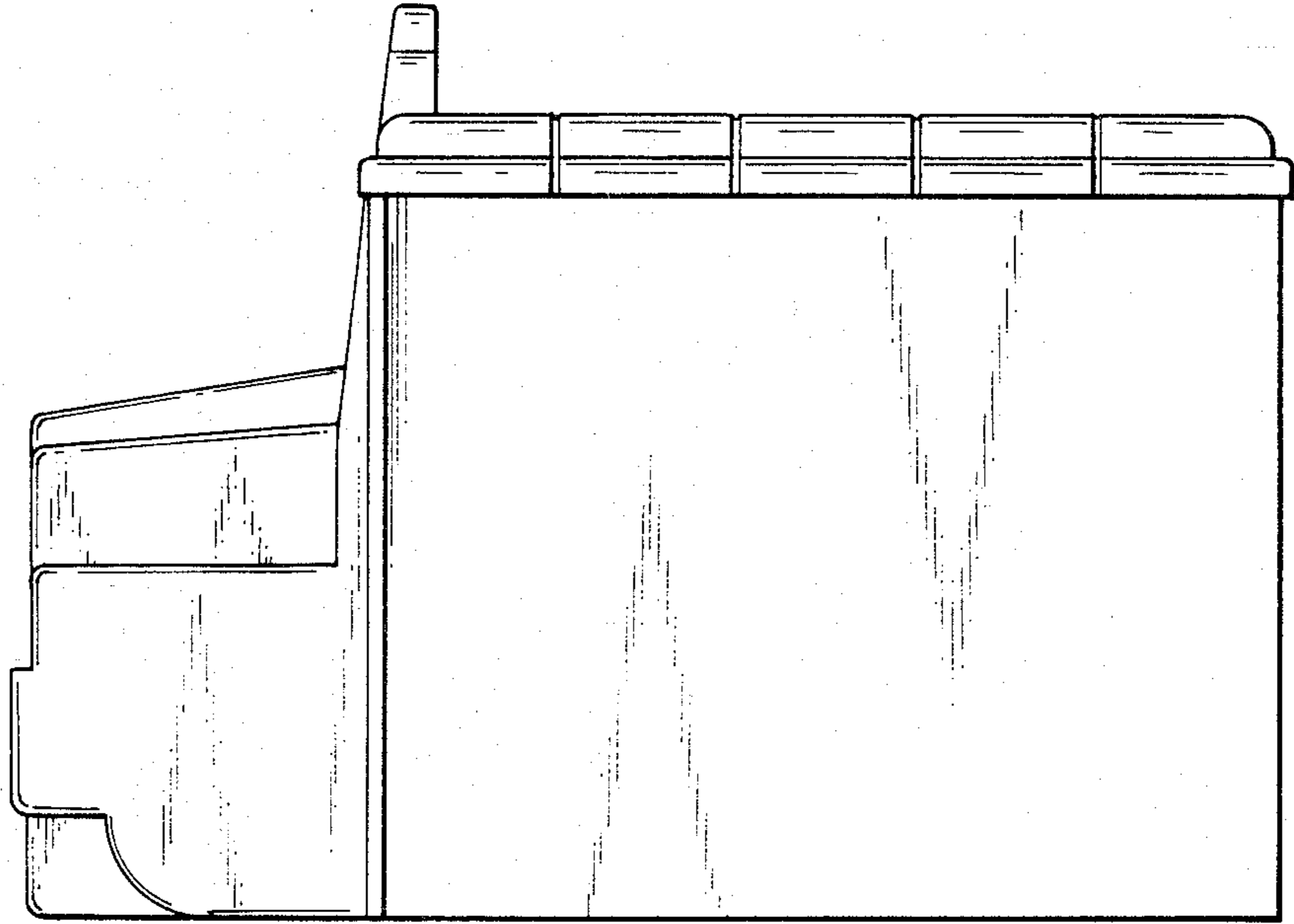


FIG. 2

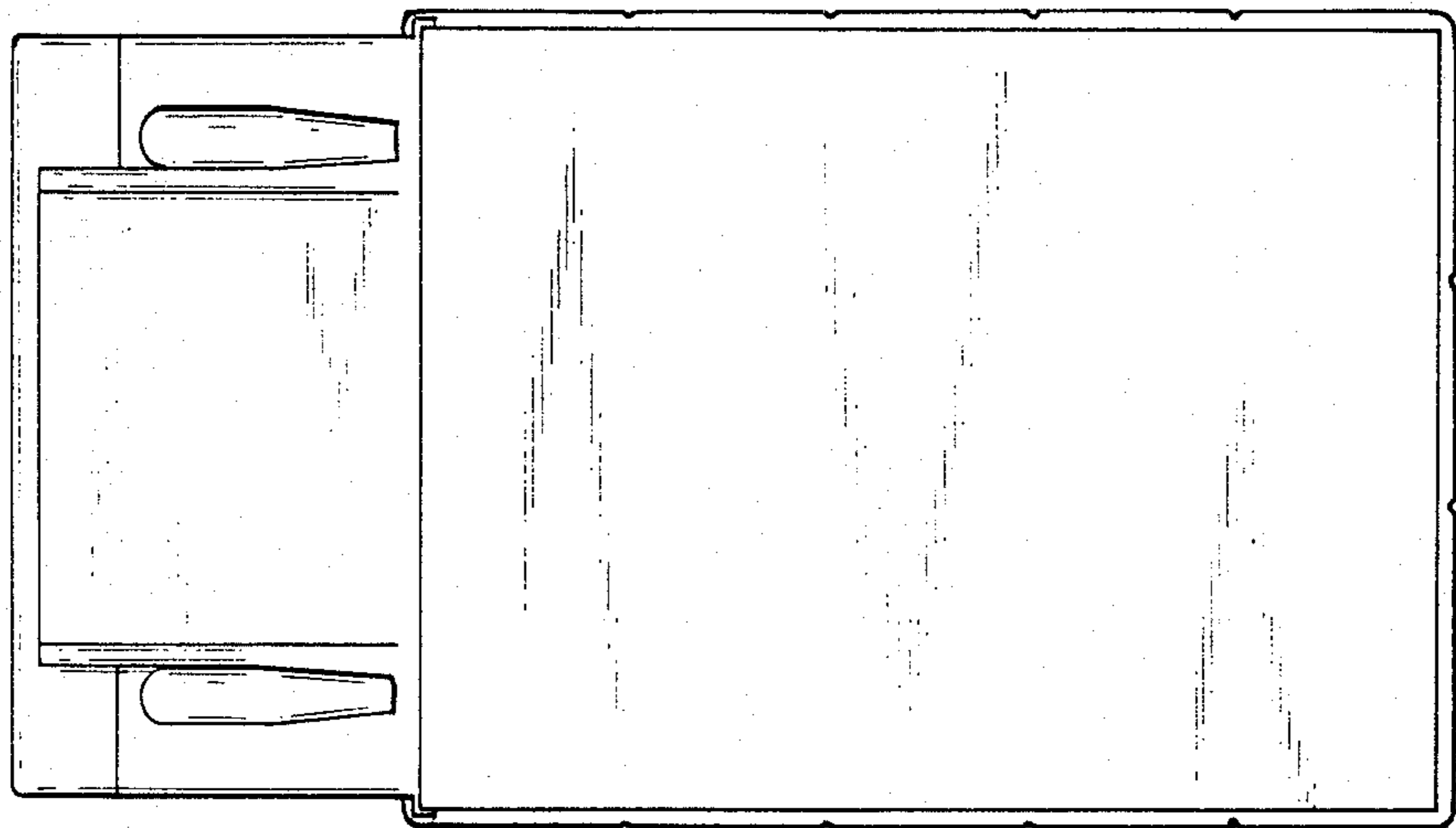


FIG. 3

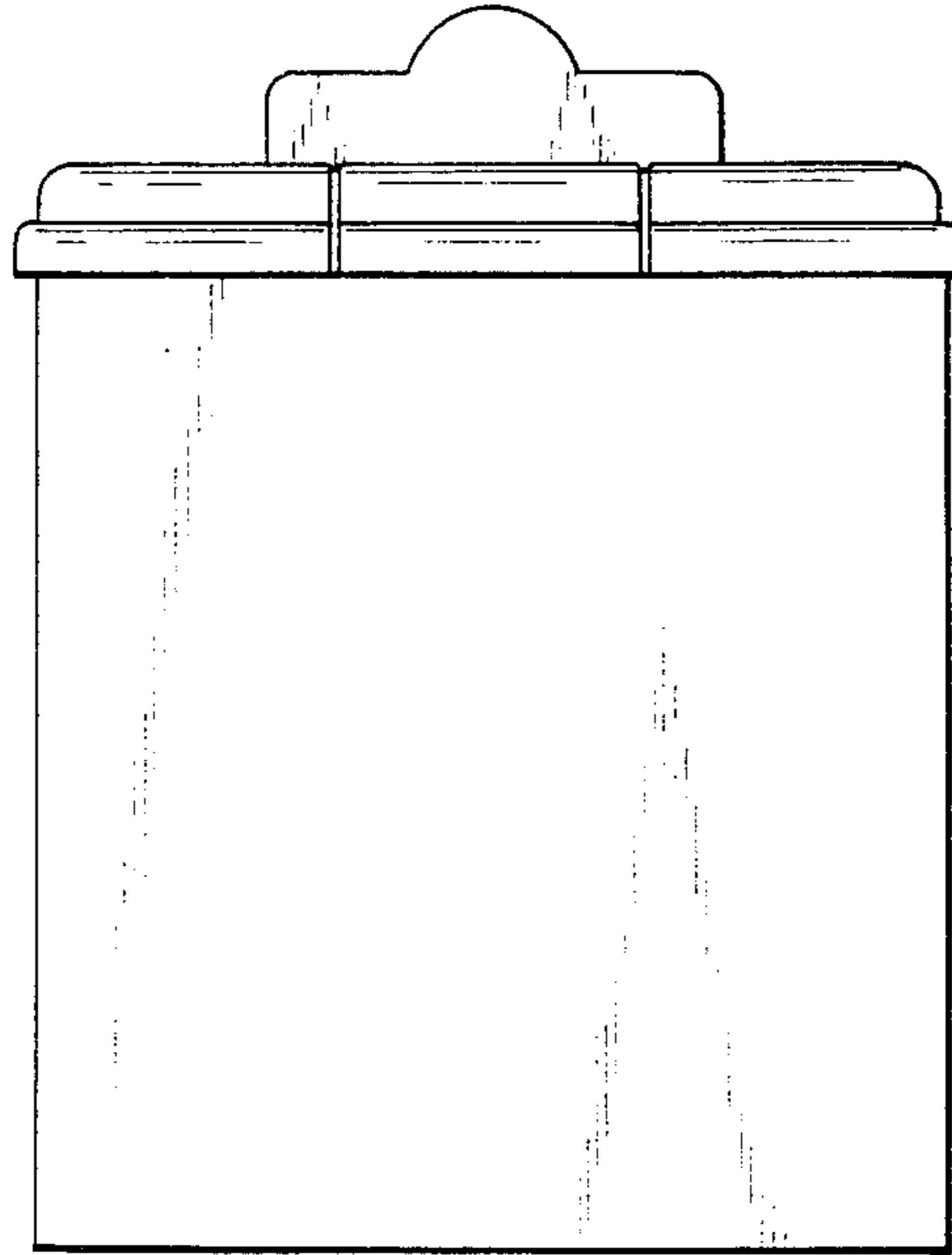


FIG. 4