

[54] DESK

[75] Inventors: Ettore Sottsass; Michele De Lucchi, both of Milan, Italy

[73] Assignee: Olivetti Synthesis, S.p.A., Ivrea, Italy

[**] Term: 14 Years

[21] Appl. No.: 709,189

[22] Filed: Mar. 7, 1985

Related U.S. Application Data

[62] Division of Ser. No. 456,772, Jan. 10, 1983.

[30] Foreign Application Priority Data

Jul. 8, 1982 [IT] Italy 53489/82[U]

[52] U.S. Cl. D6/422

[58] Field of Search D6/329, 421, 422, 423, D6/424, 425, 426, 427, 428; 312/194, 195, 196; 108/93

[56] References Cited

U.S. PATENT DOCUMENTS

D. 134,298 11/1942 Eppenstein D6/427
D. 253,442 11/1979 Winig D6/426
D. 263,532 3/1982 Ferdinand et al. D6/422 X
D. 275,250 8/1984 Kirsner D6/425 X
D. 277,152 1/1985 Hannah D6/423
D. 277,249 1/1985 Dunbar D6/426 X
3,992,067 11/1976 Kane 312/196

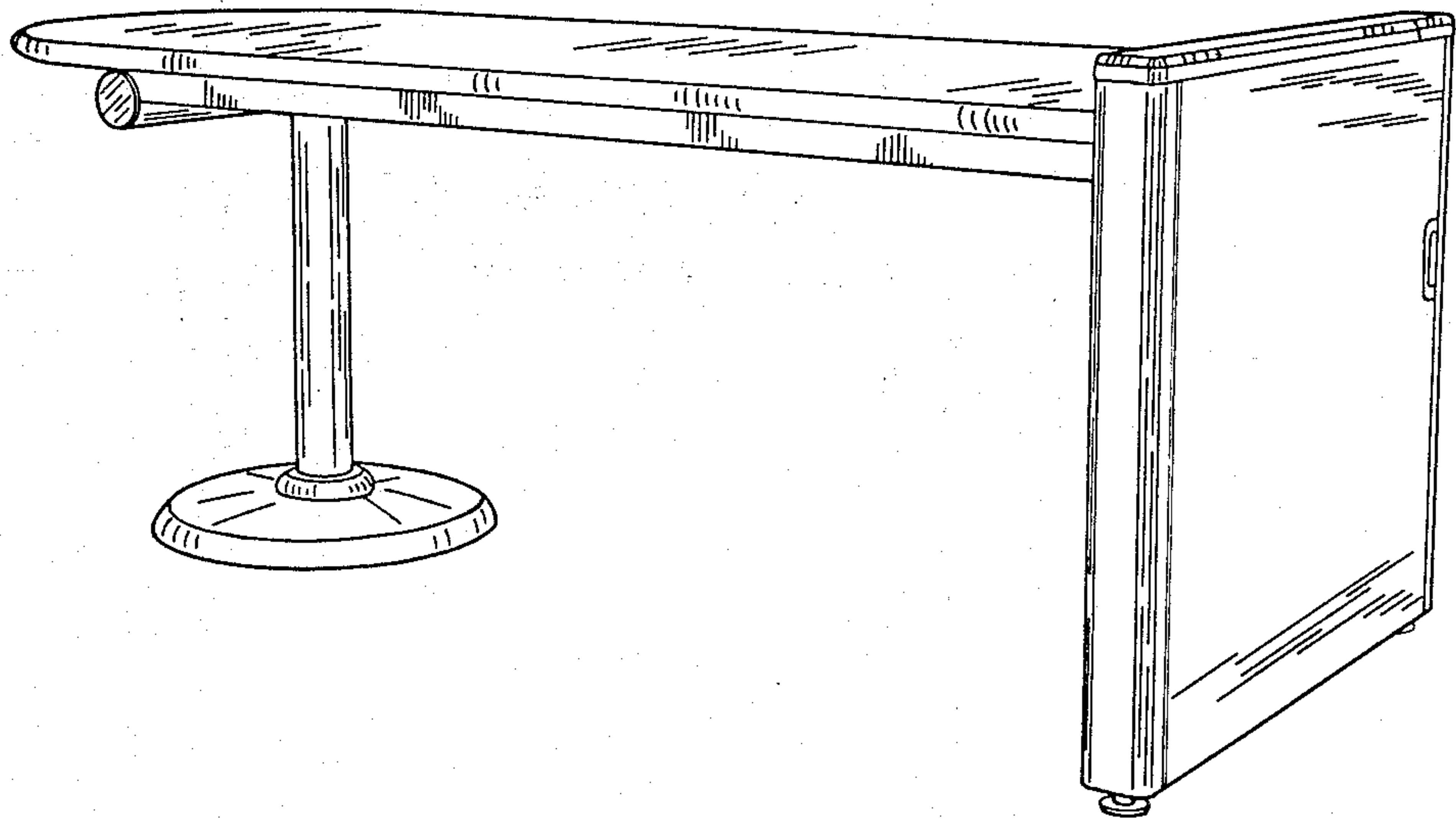
Primary Examiner—Carmen H. Vales
Attorney, Agent, or Firm—Banner, Birch, McKie & Beckett

[57] CLAIM

The ornamental design for a desk, as shown and described.

DESCRIPTION

FIG. 1 is a front and right side perspective view of a desk showing our new design;
FIG. 2 is a bottom rear and left side perspective view thereof; and
FIG. 3 is a top rear and left side perspective view thereof.



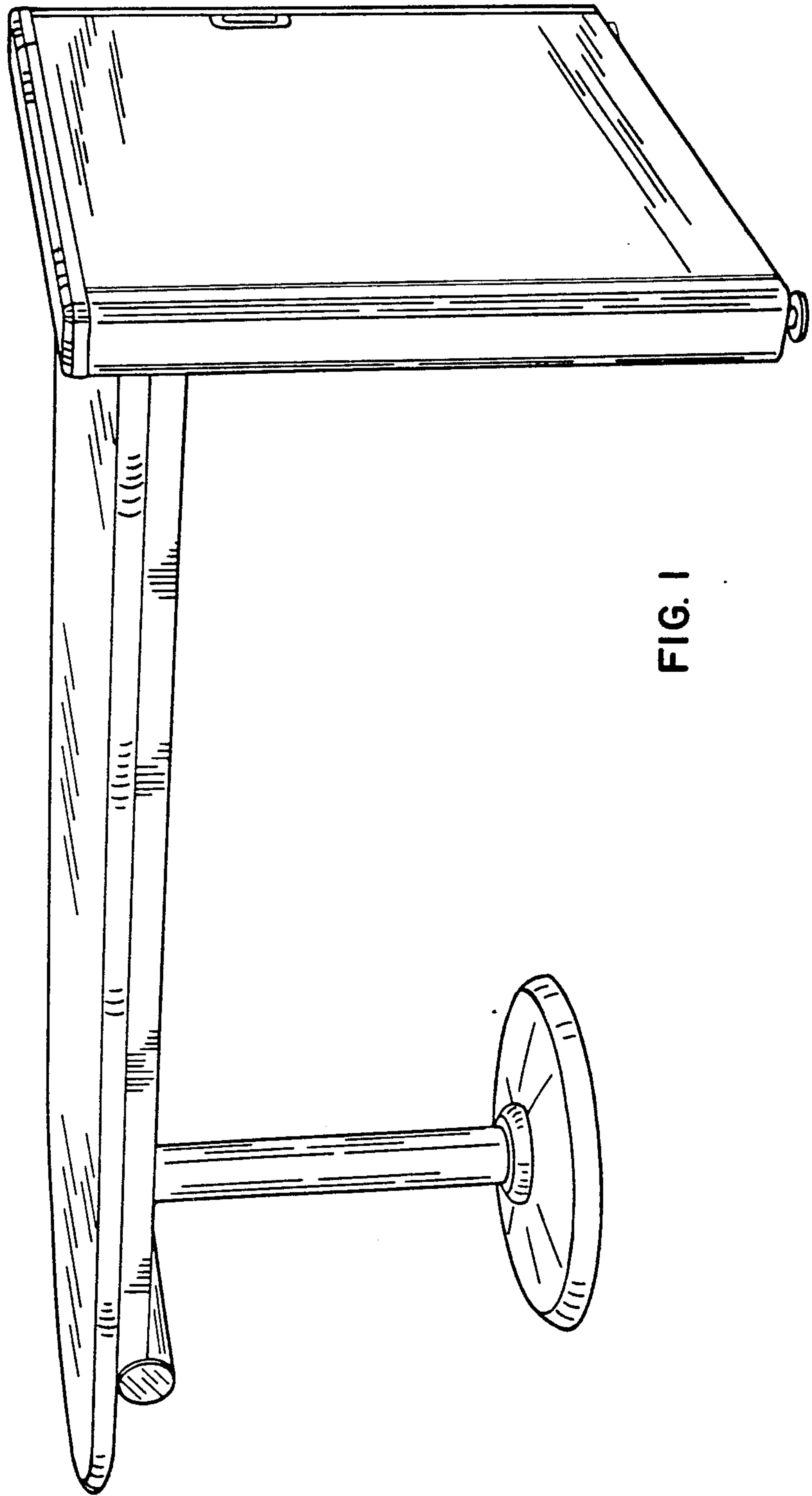


FIG. 1

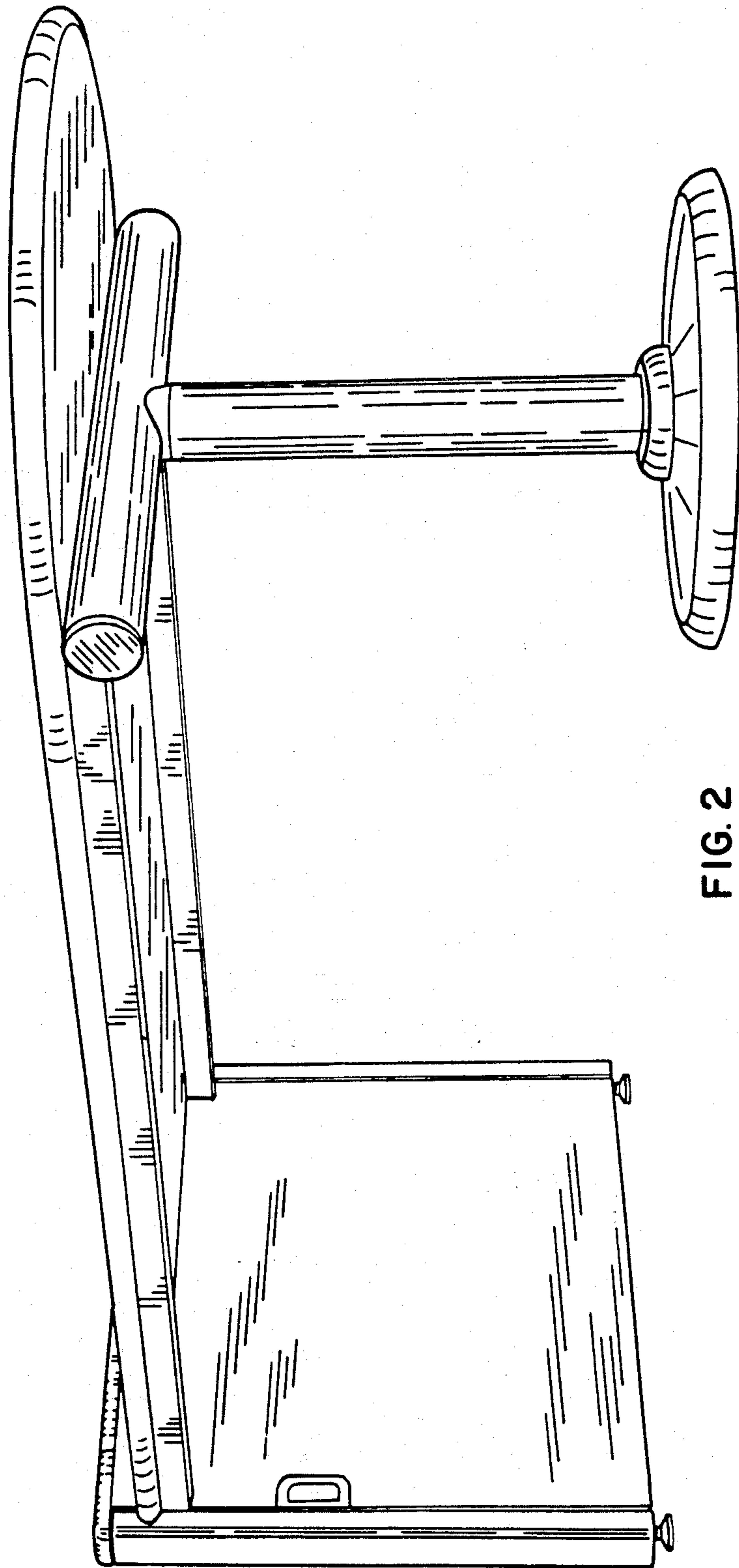


FIG. 2

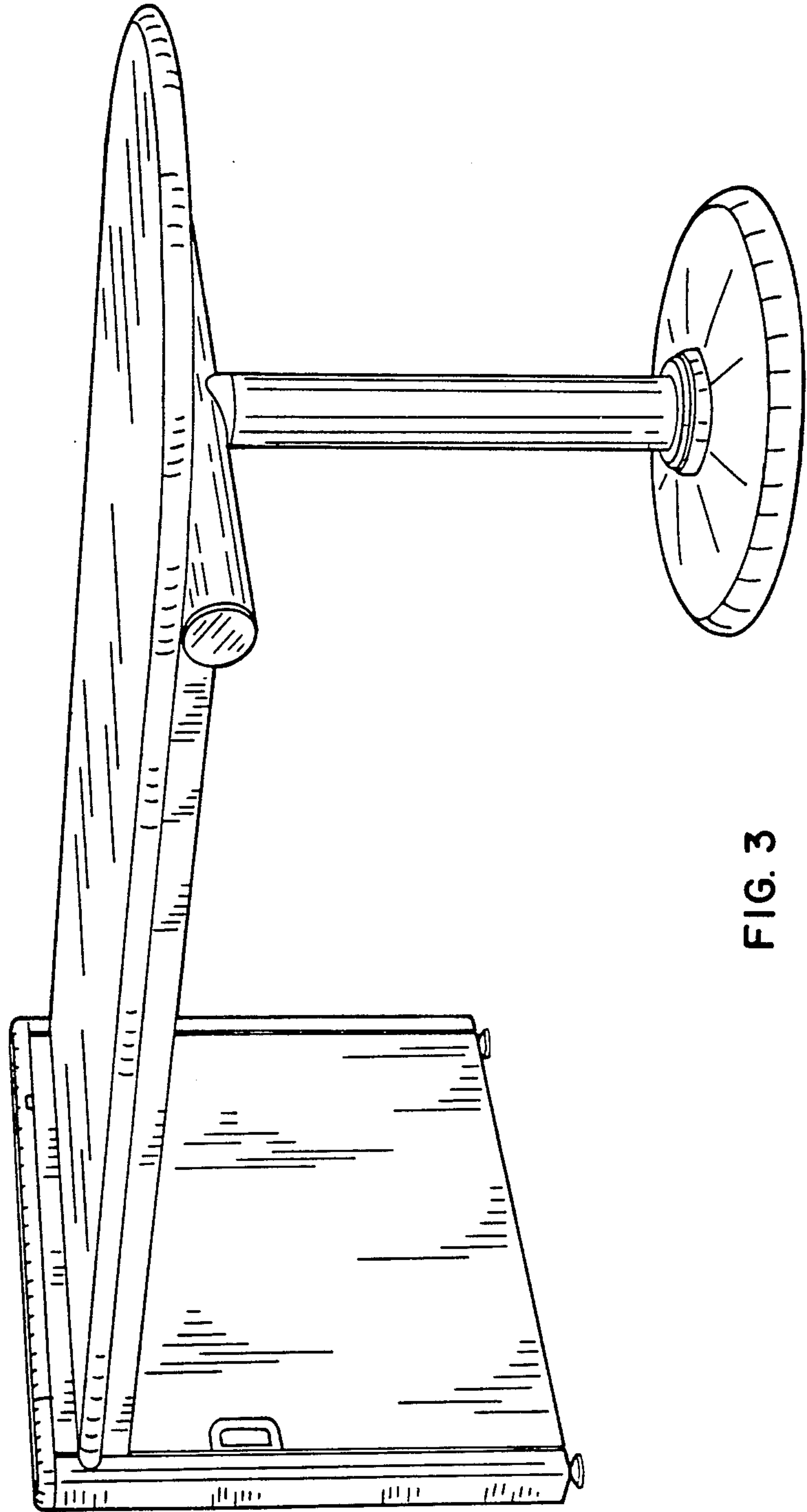


FIG. 3