

[54] **BUNK BED FRAME**

[76] **Inventor: Daniel E. Ells, 217 Circle Rd.,  
Pasadena, Md. 21122**

[\*\*] **Term: 14 Years**

[21] **Appl. No.: 546,723**

[22] **Filed: Oct. 28, 1983**

[52] **U.S. Cl. .... D6/390; D6/382;  
D6/383; D6/394**

[58] **Field of Search ..... D6/382, 390, 383, 398,  
D6/394; 5/8, 9 R, 9 P**

[56] **References Cited**

**U.S. PATENT DOCUMENTS**

D. 228,709	10/1973	Klotz et al. ....	D6/389
1,195,637	8/1916	Anderson .....	5/9 B
1,235,336	7/1917	Lathrop .....	5/9 B
2,774,976	12/1956	Ross .....	5/9 R
3,316,564	5/1967	Rogers .....	5/9 R

*Primary Examiner—Jane E. Corrigan*  
*Attorney, Agent, or Firm—Bacon & Thomas*

[57] **CLAIM**

The ornamental design for a bunk bed frame, as shown.

**DESCRIPTION**

FIG. 1 is a front, top and right side perspective view of a bunk bed frame showing my new design;  
FIG. 2 is a bottom plan view;  
FIG. 3 is a rear, top and left side perspective view; and  
FIG. 4 is a right side elevational view.

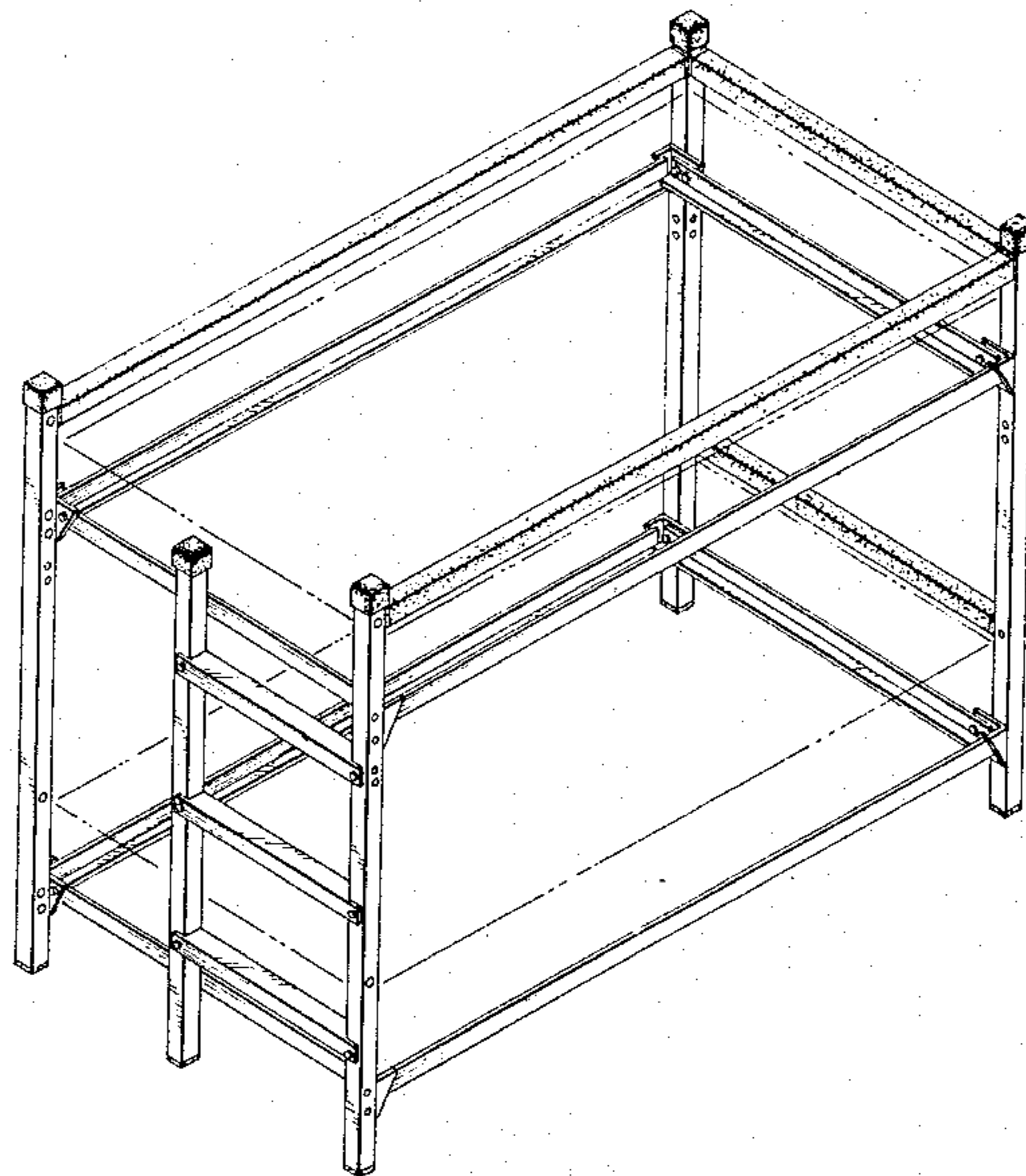


FIG 1

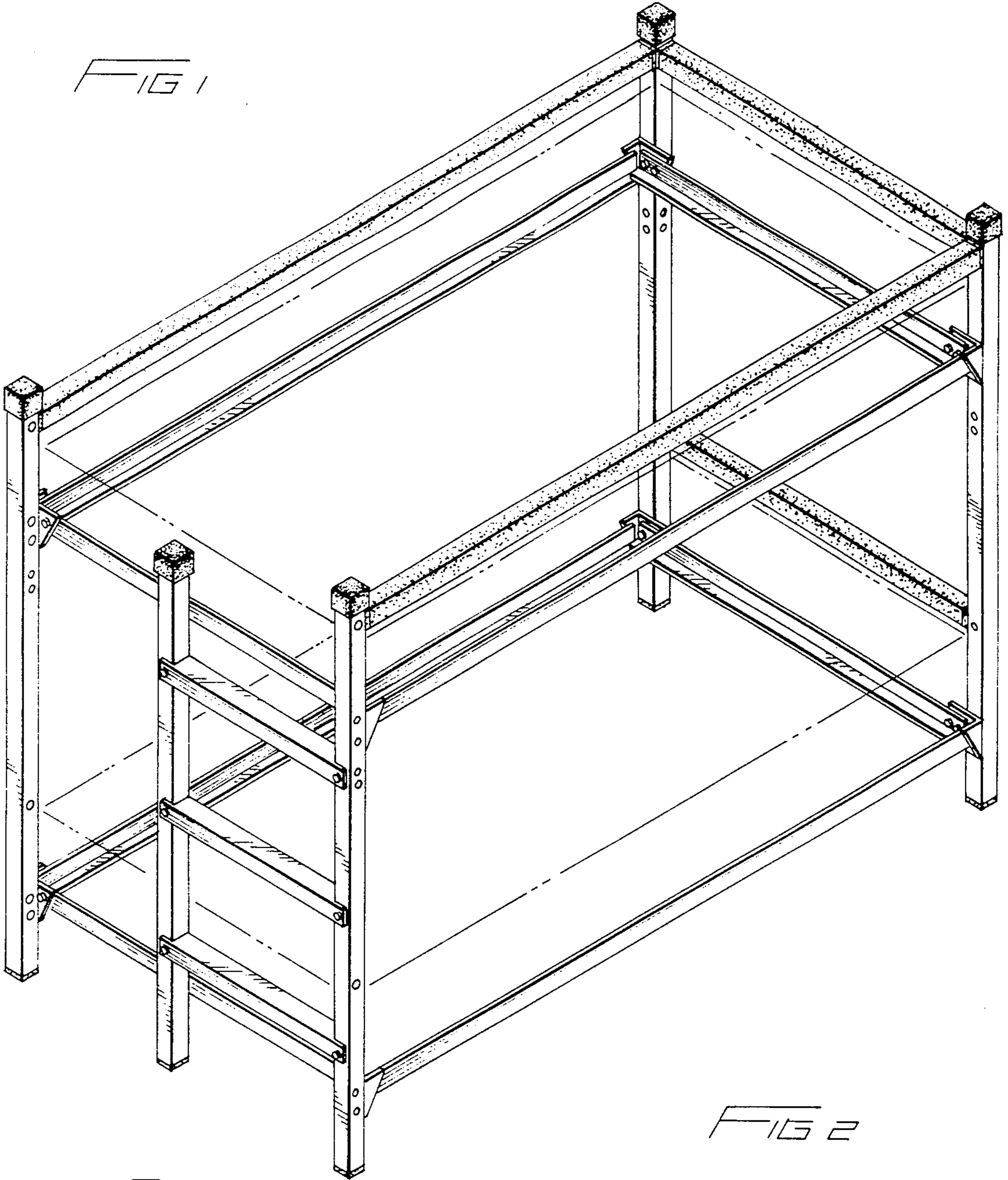
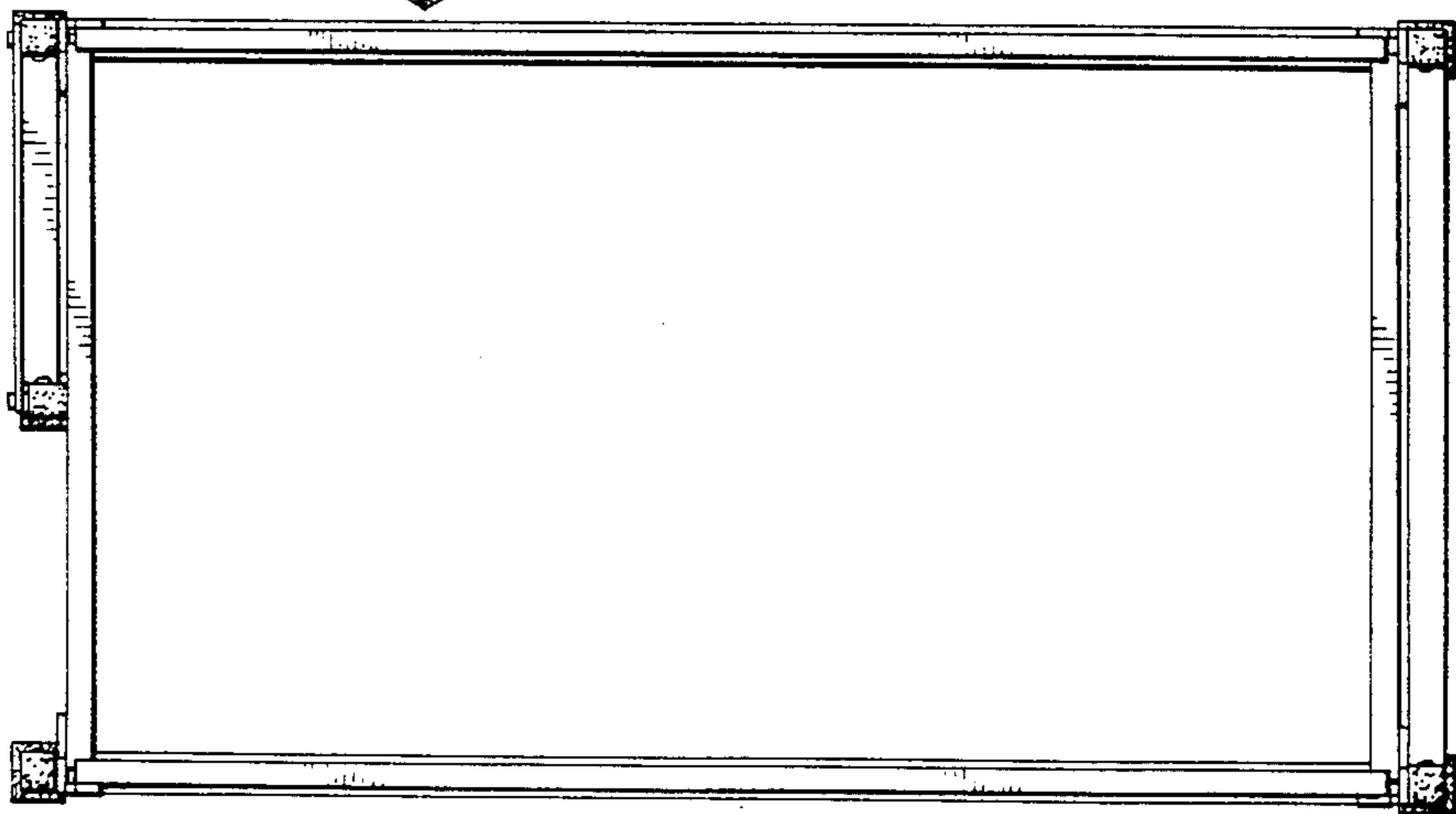


FIG 2



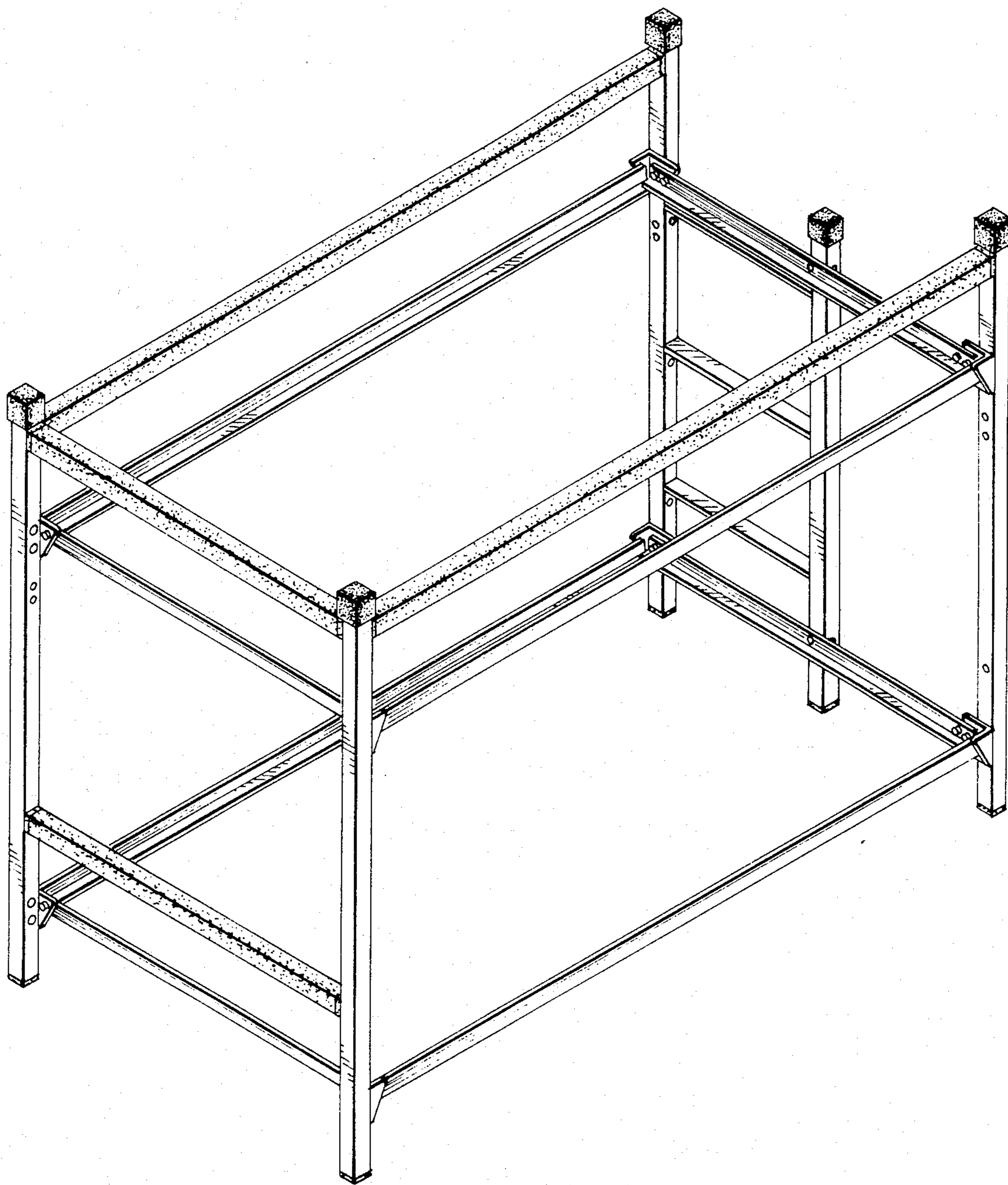


FIG 3

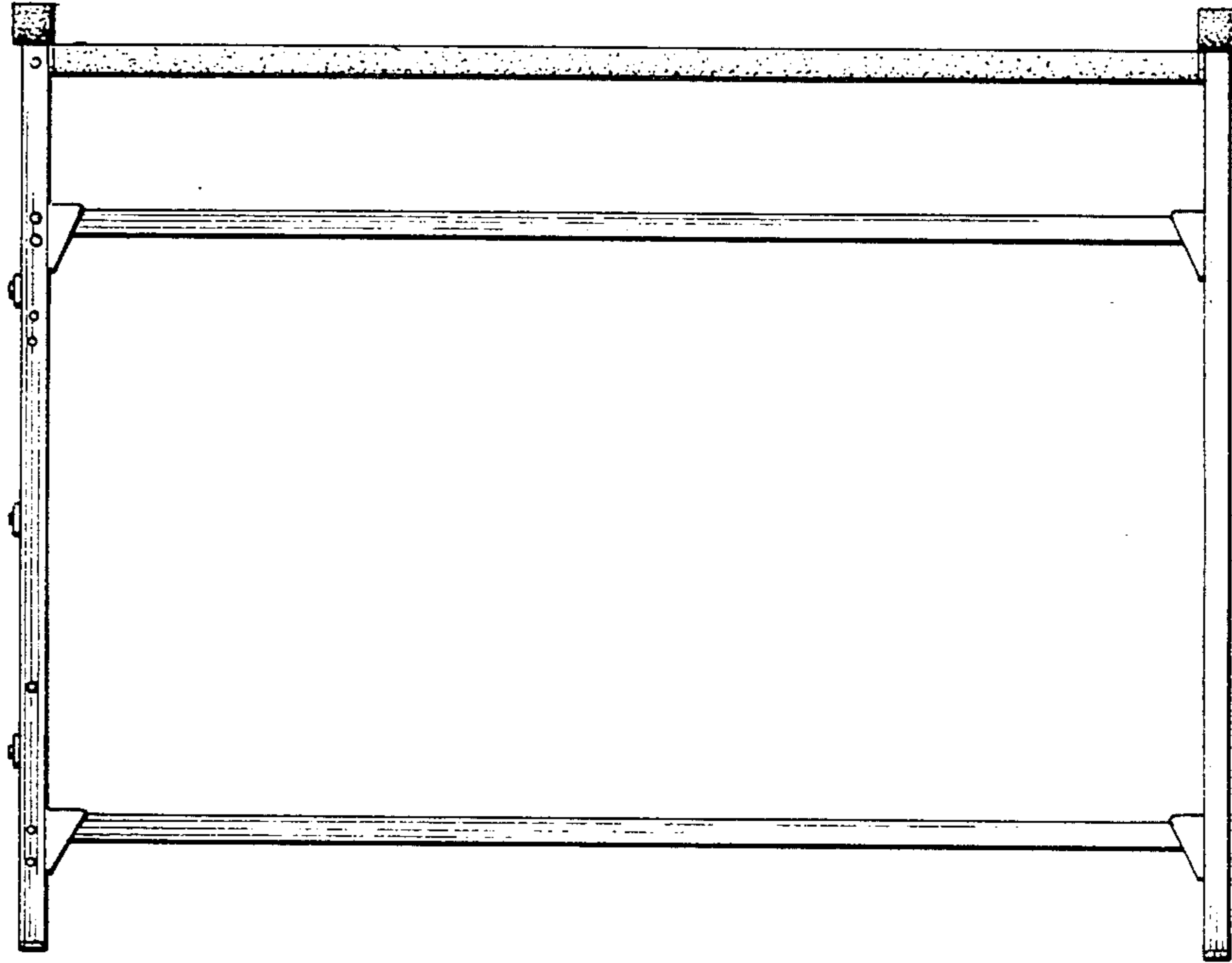


FIG 4