

[54] **BOAT CHAIR**

- [75] **Inventor: Bernard J. Kennedy, Maplewood, Minn.**
[73] **Assignee: Kennedy Houseboats, Inc., Miller, S. Dak.**
[**] **Term: 14 Years**
[21] **Appl. No.: 509,349**
[22] **Filed: Jun. 30, 1983**
[52] **U.S. Cl. D6/380; D6/362**
[58] **Field of Search D6/334, 362, 371, 372, D6/373, 379, 380**

- [56] **References Cited**
U.S. PATENT DOCUMENTS
D. 194,468 1/1963 Goodman D6/362 X
D. 244,330 5/1977 Silbaugh D6/380

OTHER PUBLICATIONS

Interiors, Feb. 1977, p. 38, Chair bottom left by Castelli. Harter Corp. Catalog, May 14, 1973, Section No. 2, Chair No. LL-20.
Office Products, Oct. 1977, p. 204, Bentwood Chair, bottom right.
Primary Examiner—Bruce W. Dunkins
Attorney, Agent, or Firm—Kinney & Lange

[57] **CLAIM**
The ornamental design for a boat chair, substantially as shown.

DESCRIPTION

FIG. 1 is a front perspective view of a boat chair showing my new design;
FIG. 2 is a side view thereof;
FIG. 3 is a front view thereof;
FIG. 4 is a rear view thereof;
FIG. 5 is a top view thereof; and
FIG. 6 is a bottom view thereof.

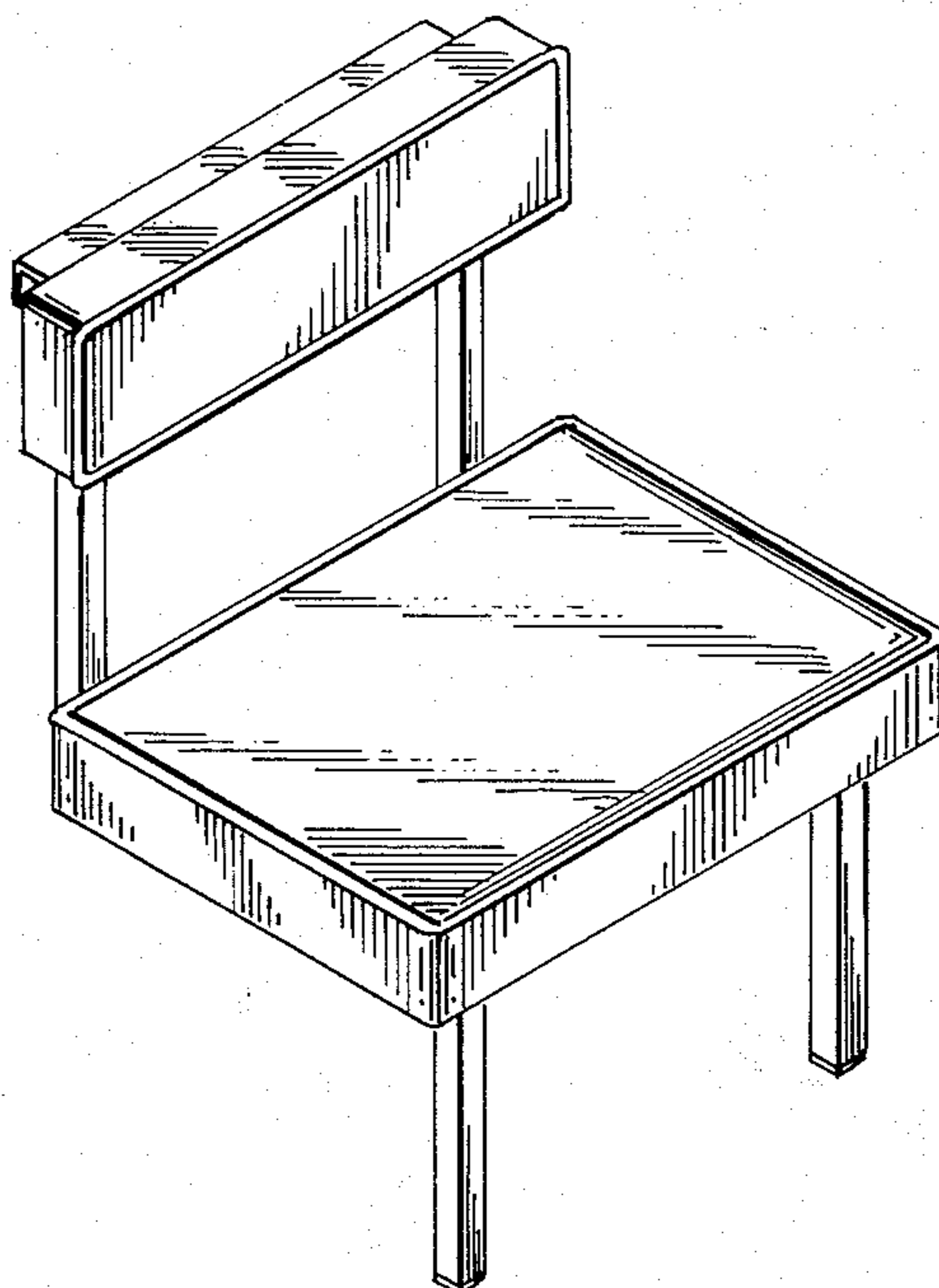


Fig. 1

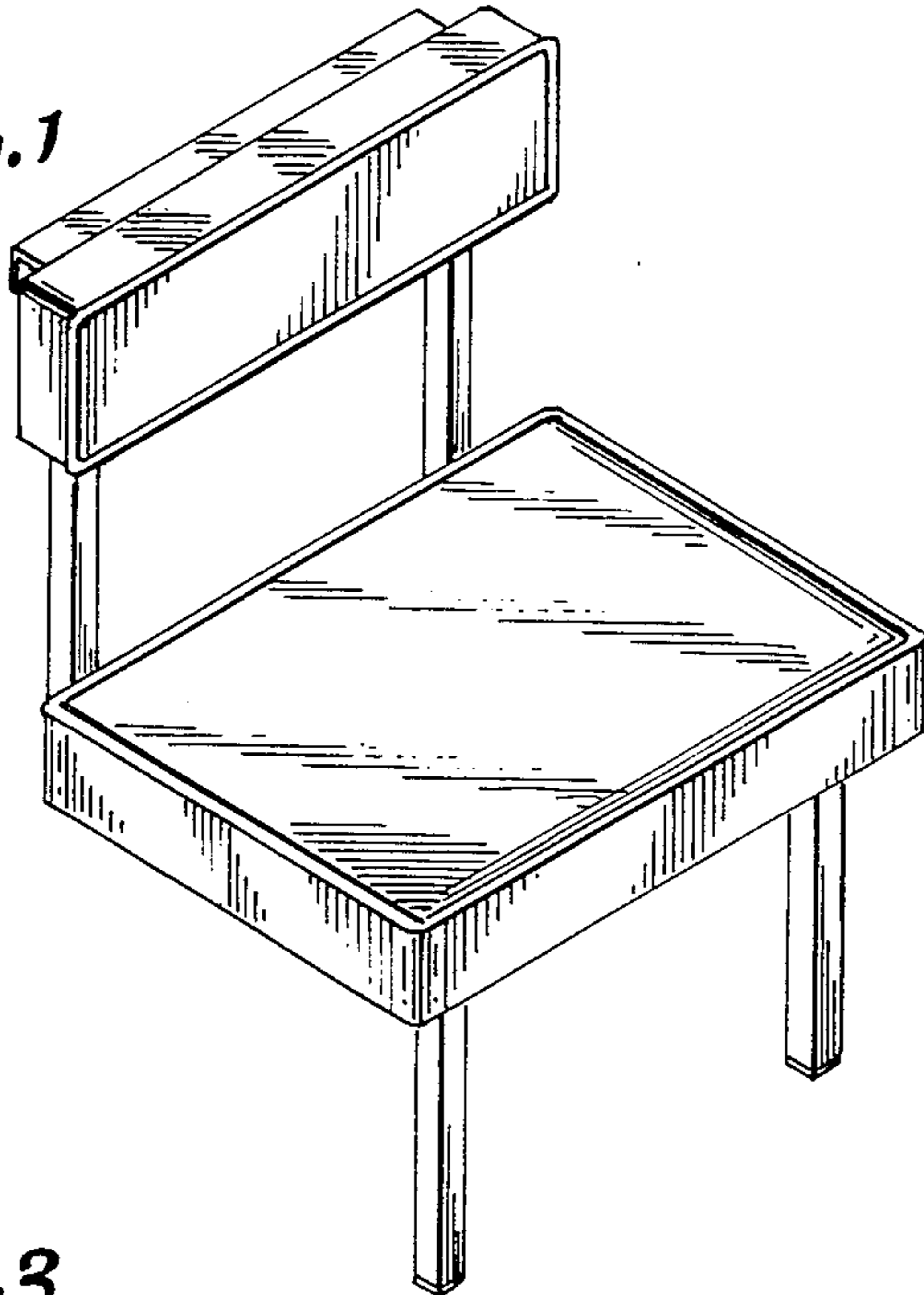


Fig. 2

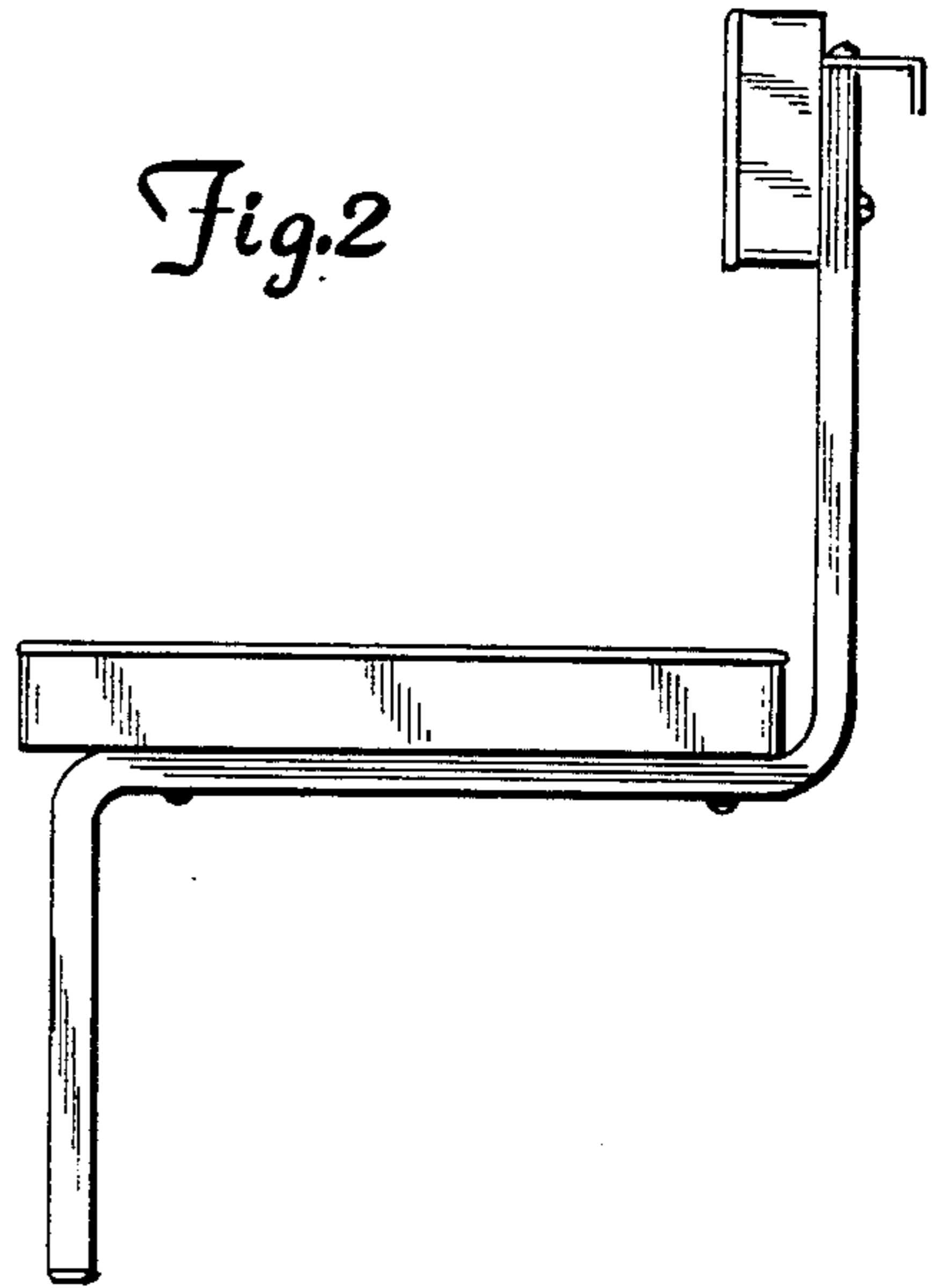


Fig. 3

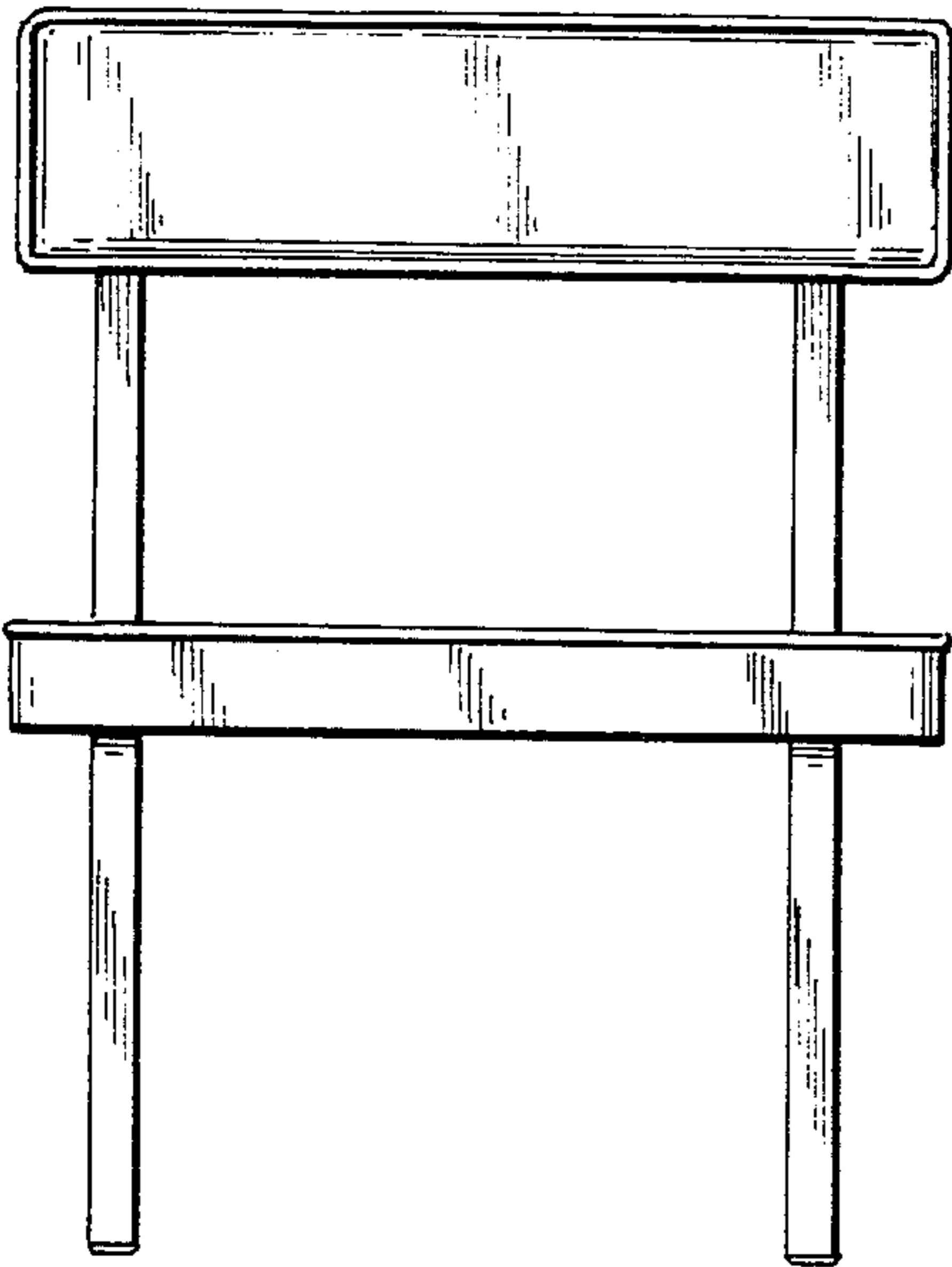


Fig. 4

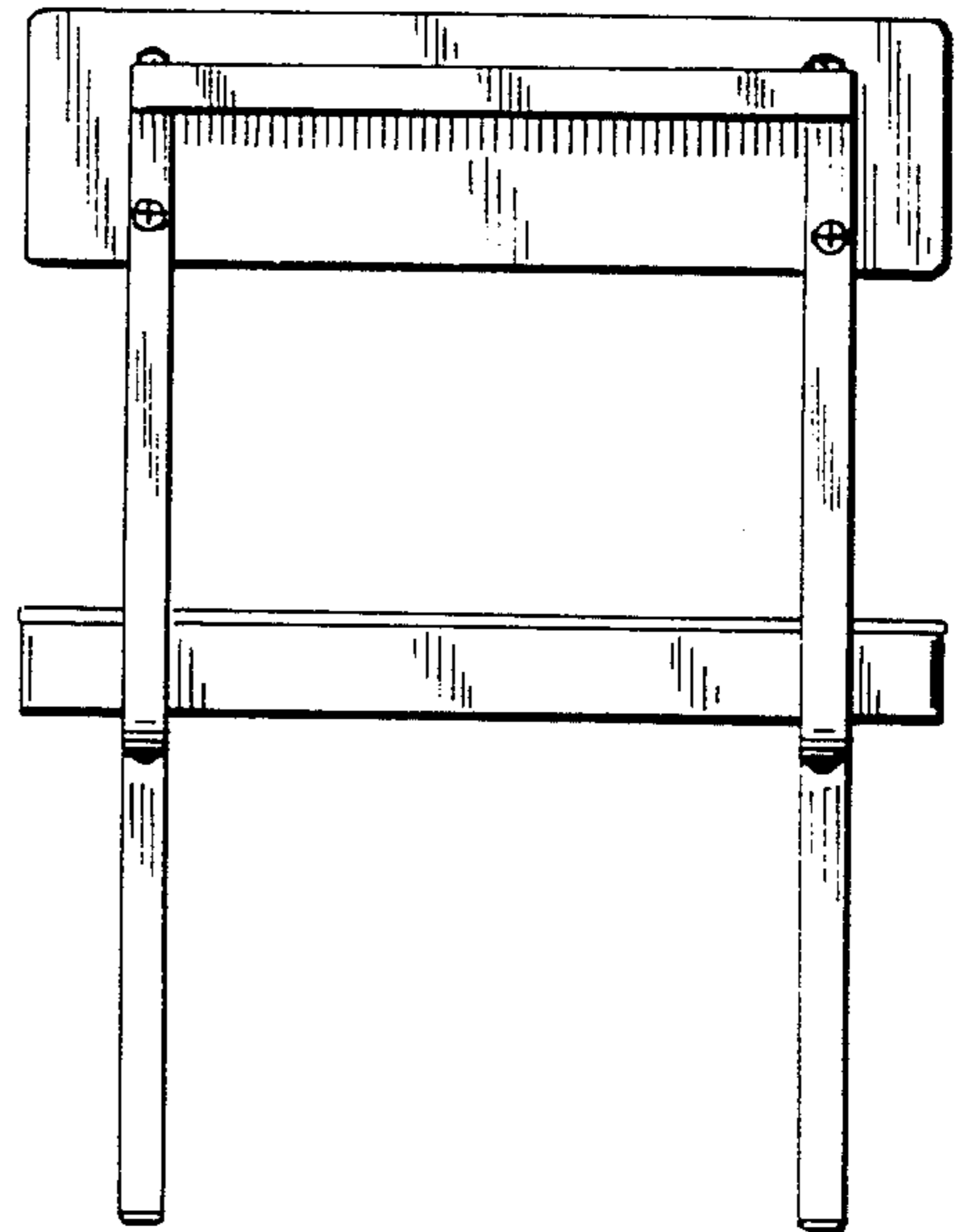


Fig. 5

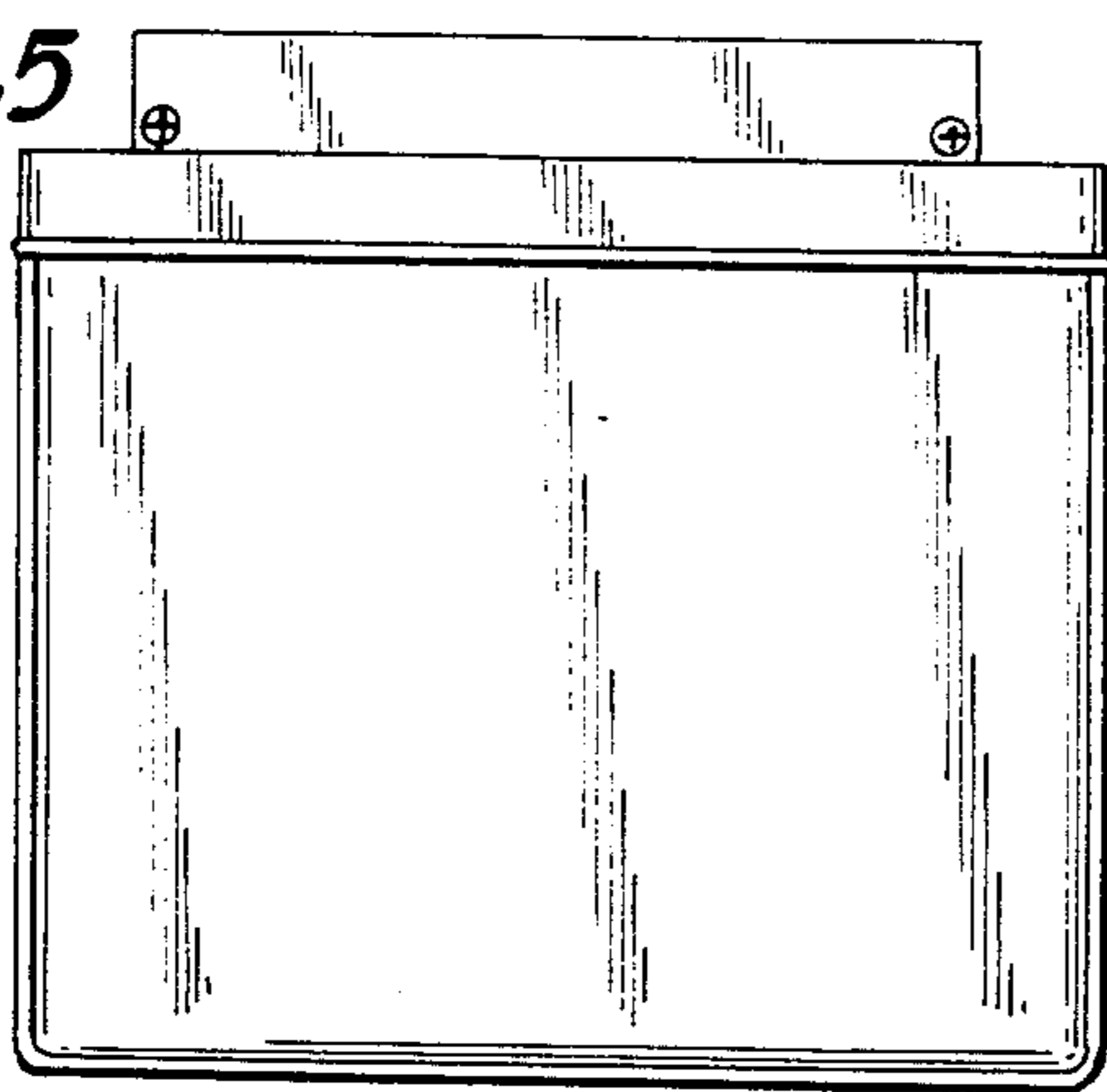


Fig. 6

