

[54] ACCESSORY WORK SEAT FOR A BEAUTICIAN'S CHAIR OR THE LIKE

[76] Inventor: Christopher Georgevich, 1001 Oakhill Rd., Lafayette, Calif. 94549

[\*\*] Term: 14 Years

[21] Appl. No.: 511,144

[22] Filed: Jul. 6, 1983

[52] U.S. Cl. .... D6/353; D6/367

[58] Field of Search ..... D6/333, 334, 335, 340, D6/353, 364, 367, 349; 297/243, 250, 257, 241

[56] References Cited

U.S. PATENT DOCUMENTS

D. 154,203	6/1949	Johnson et al. ....	D6/353
D. 169,696	5/1953	Ries et al. ....	D6/352
D. 239,482	4/1976	Sparrow et al. ....	D6/367
D. 251,879	5/1979	Green .....	D6/353

Primary Examiner—Bruce W. Dunkins  
Attorney, Agent, or Firm—Bruce & McCoy

[57] CLAIM

The ornamental design for an accessory work seat for a beautician's chair or the like, as shown and described.

DESCRIPTION

FIG. 1 is a perspective view of an accessory work seat for a beautician's chair or the like showing my new design.

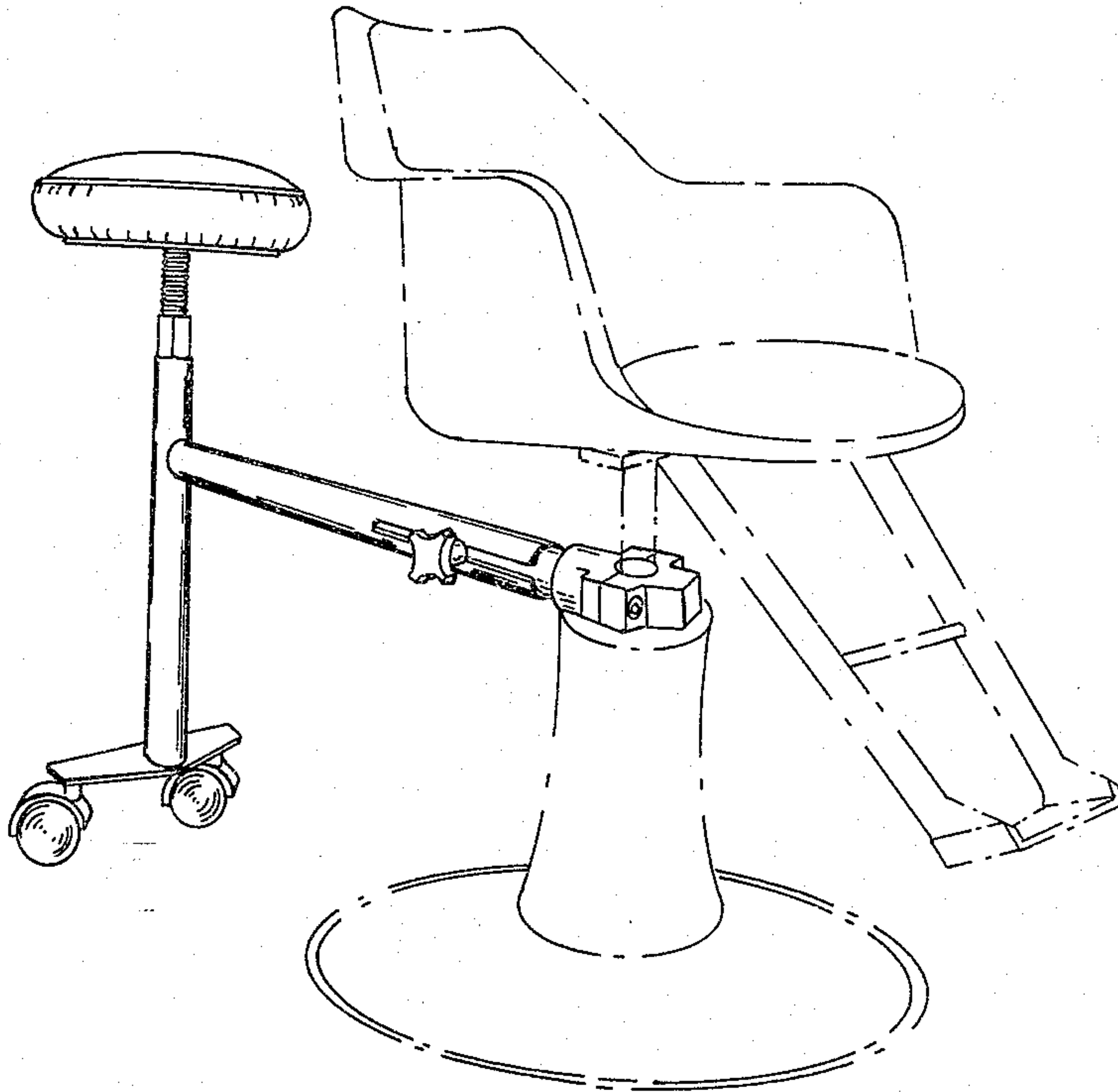
FIG. 2 is a side elevation view thereof.

FIG. 3 is a side elevation view thereof taken from the side opposite that shown in FIG. 2.

FIG. 4 is a top plan view thereof.

FIG. 5 is an end elevation view thereof.

The broken line representation of a beautician's chair shown in FIG. 1 is to illustrate environmental structure only, and is not part of the claimed design.



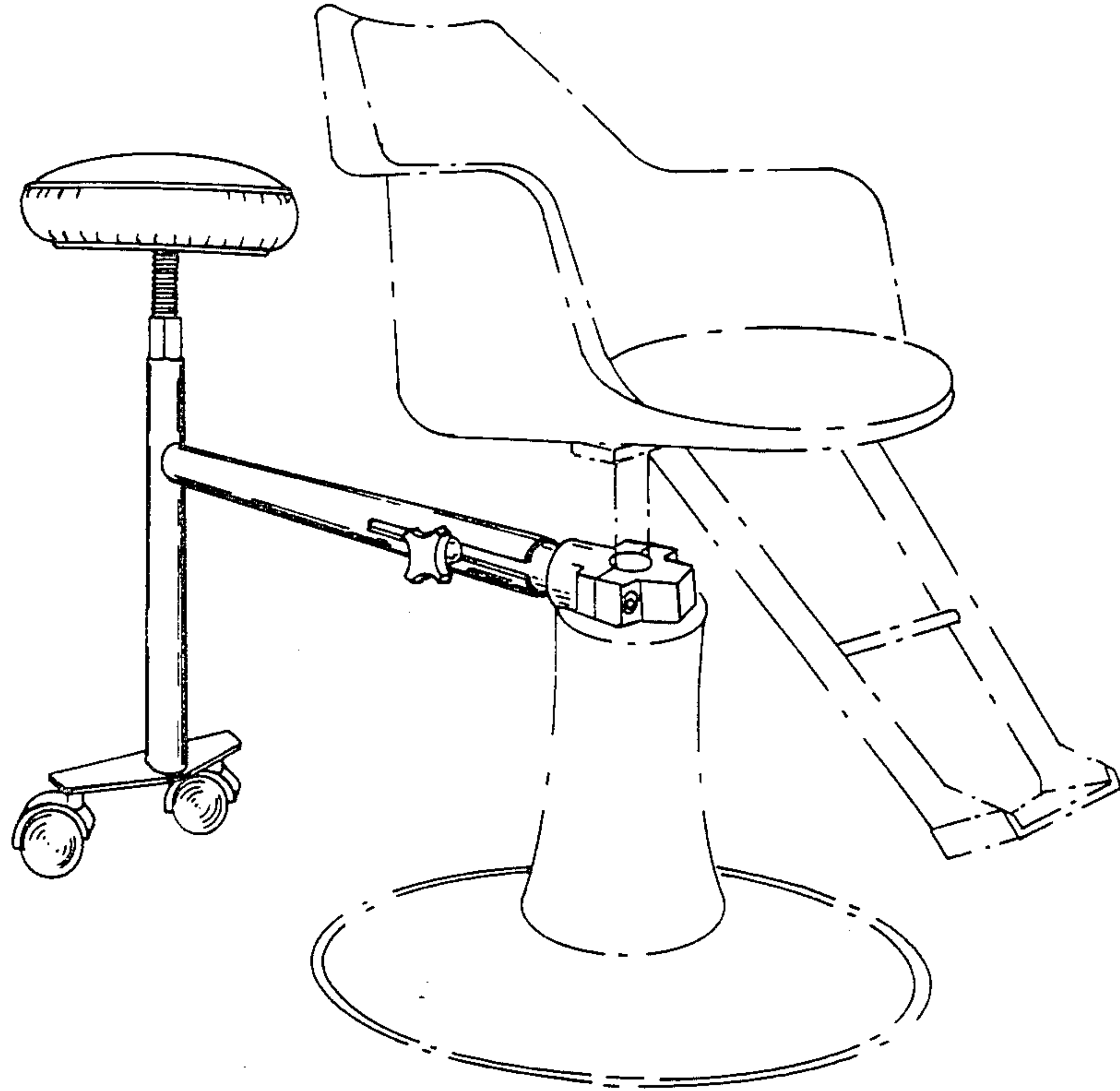


FIG.—1

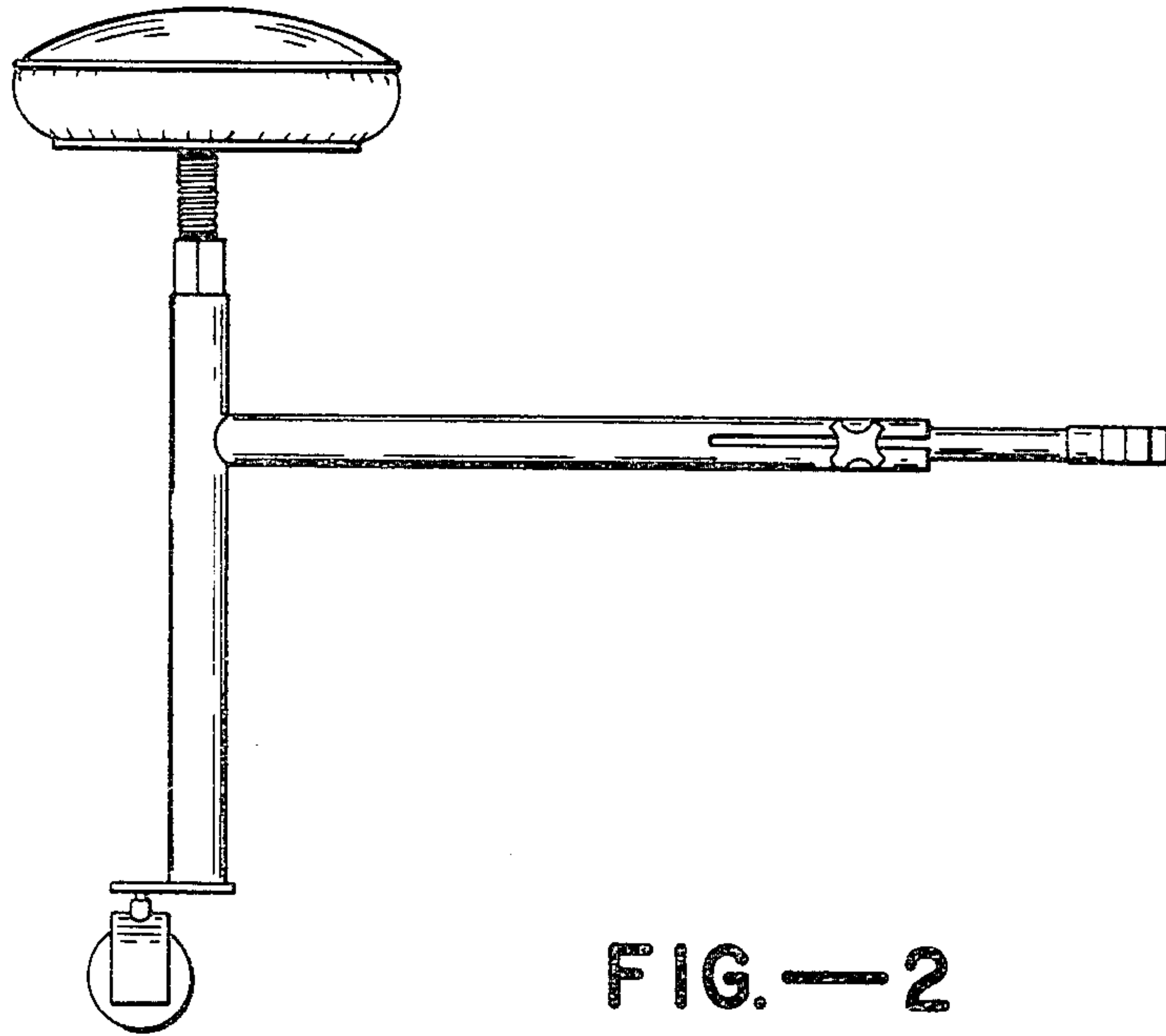


FIG.—2

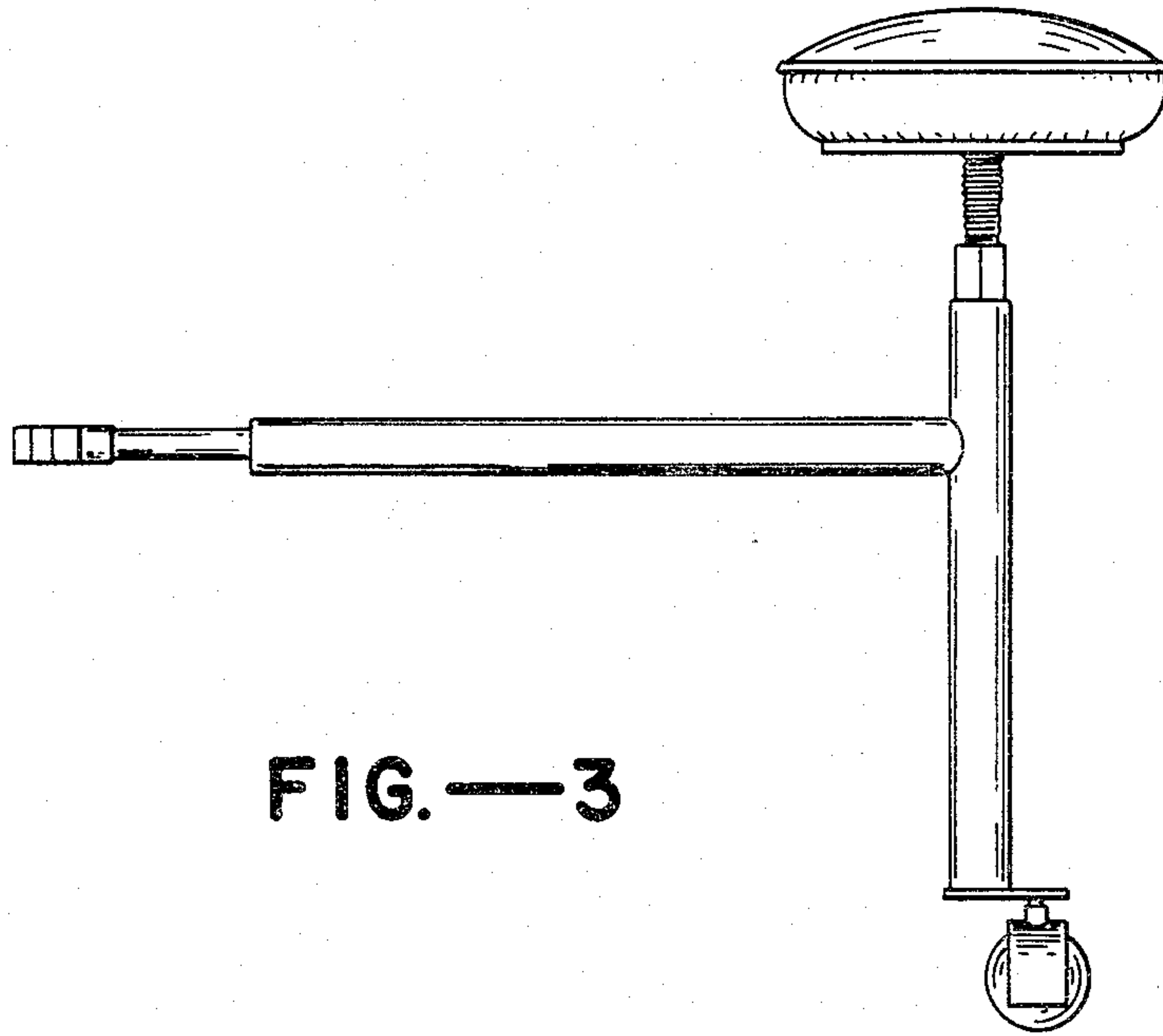


FIG. — 3

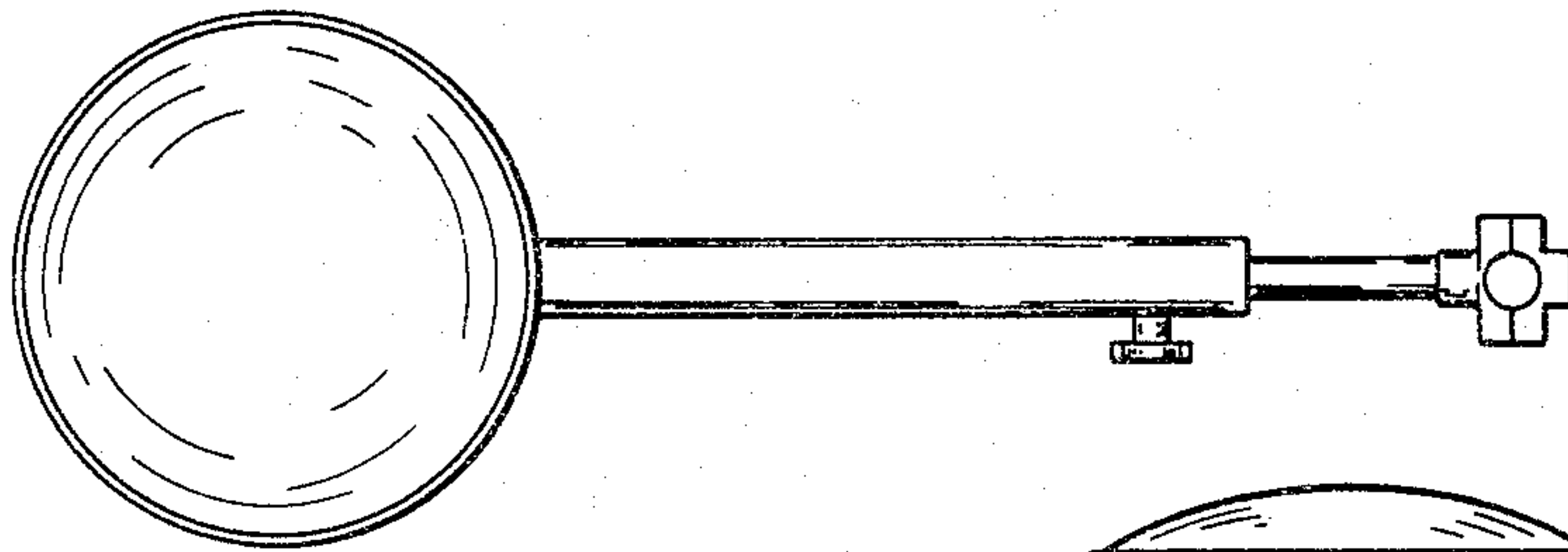


FIG. — 4

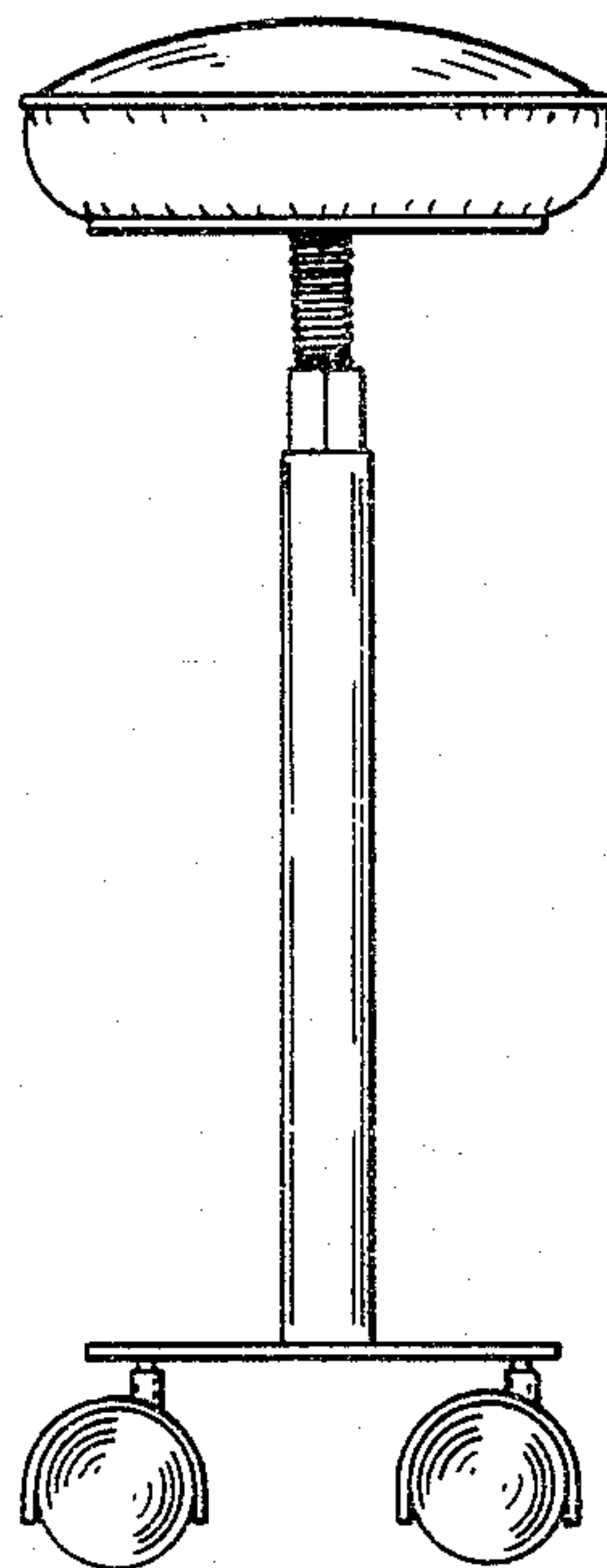


FIG. — 5