

[54] **BIRD FEEDER**

[76] **Inventor: Peter Kilham, Mill Rd., Foster, R.I. 02825**

[\*\*] **Term: 14 Years**

[21] **Appl. No.: 743,892**

[22] **Filed: Jun. 12, 1985**

[52] **U.S. Cl. .... D30/15**

[58] **Field of Search .... D30/13-17; 119/51 R, 52 R**

[56] **References Cited**

**U.S. PATENT DOCUMENTS**

D. 115,321	6/1939	Pueschel .....	D30/15
D. 193,558	9/1962	Parry .....	D30/14
D. 231,369	4/1974	Kilham .....	D30/14
D. 251,021	2/1979	Blasbalg .....	D30/15
D. 252,591	8/1979	Hude, Jr. ....	D30/14
D. 262,917	2/1982	Kilham .....	D30/14

D. 278,559	4/1985	Latham et al. ....	D30/15
3,568,641	3/1971	Kilham .....	119/51 R
4,188,913	2/1980	Earl et al. ....	119/51 R
4,259,927	4/1981	Clarke .....	119/51 R
4,356,793	11/1982	Blasbalg .....	119/51 R

*Primary Examiner*—James R. Largen  
*Attorney, Agent, or Firm*—Robert J. Doherty

[57] **CLAIM**

The ornamental design for a bird feeder, substantially as shown and described.

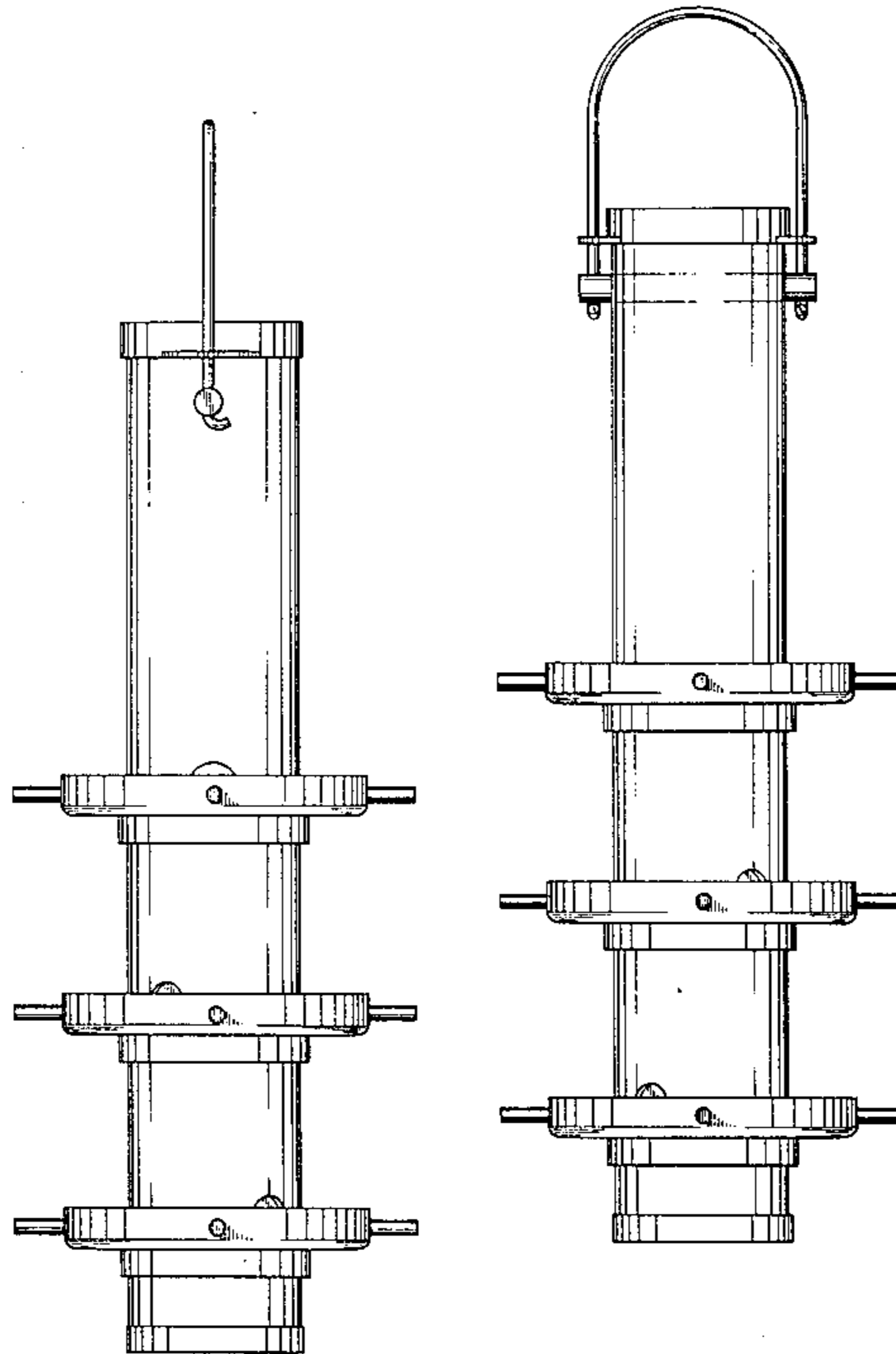
**DESCRIPTION**

FIG. 1 is a front elevational view of a bird feeder showing my new design, the rear being substantially a mirror image of the front shown;

FIG. 2 is a right side elevational view thereof, the left side being substantially a mirror image of the right side shown;

FIG. 3 is a top plan view thereof; and

FIG. 4 is a bottom plan view thereof.



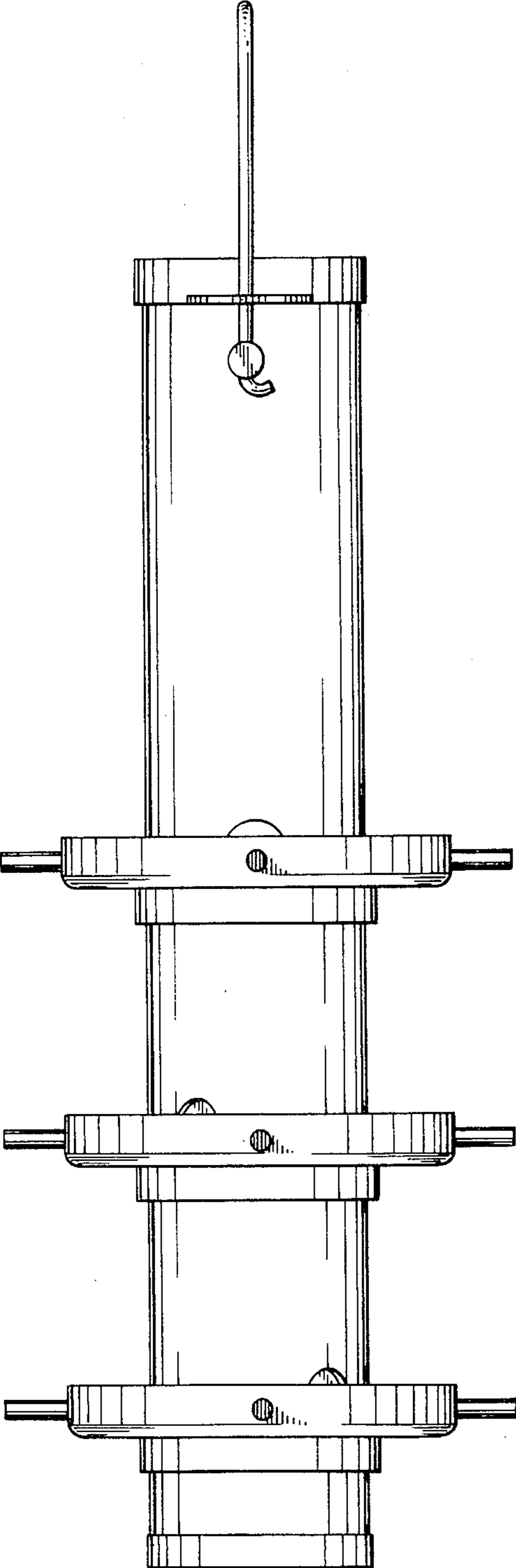


FIG. 1

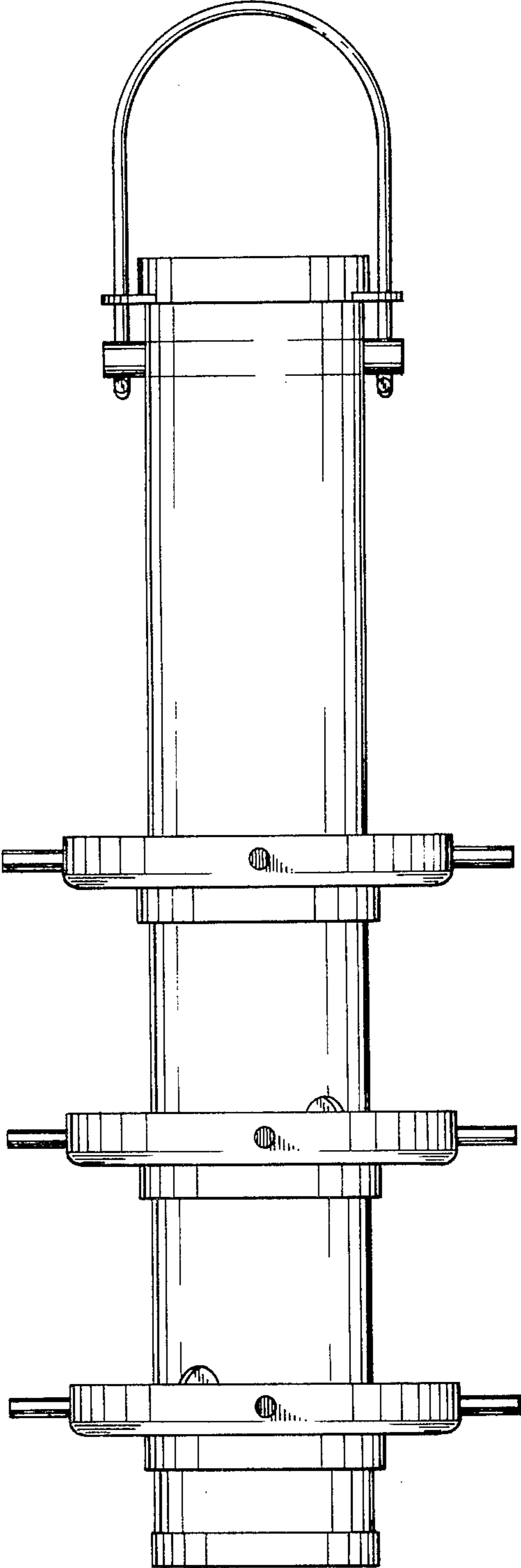


FIG. 2

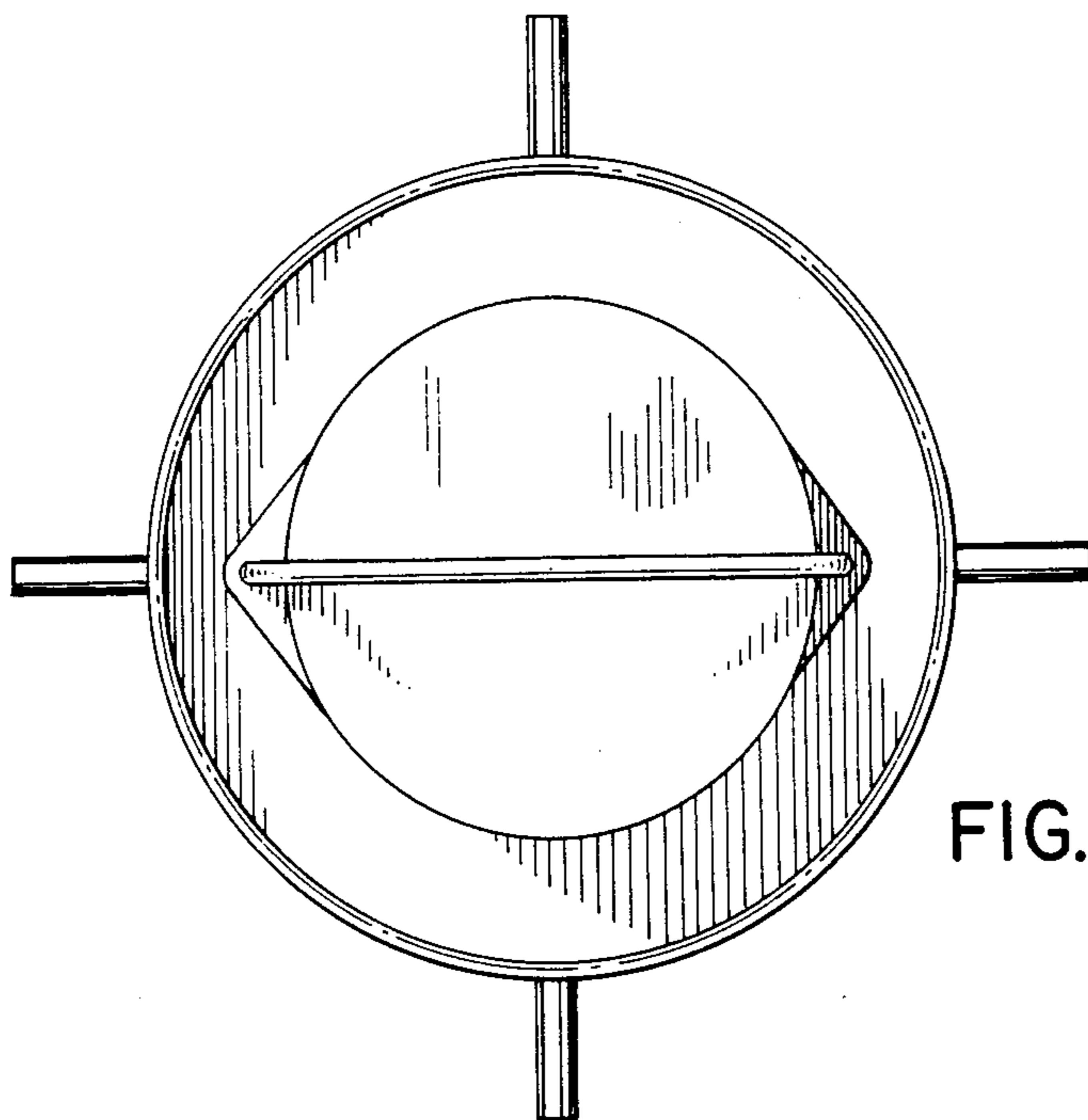


FIG. 3

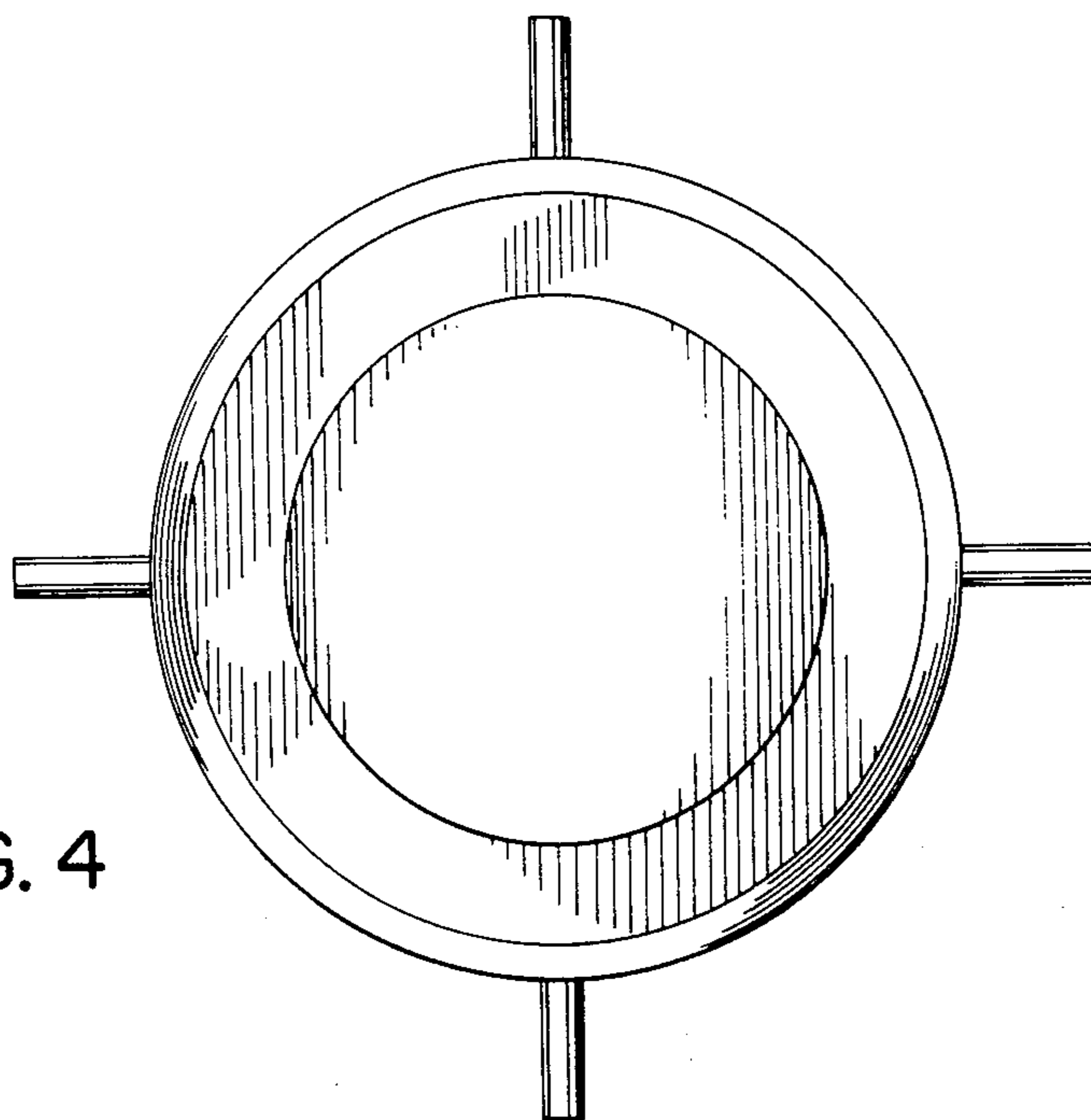


FIG. 4