

[54] COMBINED TROUGH AND PERCH FOR A BIRD FEEDER

[76] Inventor: Peter Kilham, Mill Rd., Foster, R.I. 02825

[\*\*] Term: 14 Years

[21] Appl. No.: 743,916

[22] Filed: Jun. 12, 1985

[52] U.S. Cl. .... D30/14

[58] Field of Search ..... D30/13-17; 119/51 R, 52 R

[56] References Cited

U.S. PATENT DOCUMENTS

D. 115,321	6/1939	Pueschel	.....	D30/15
D. 273,429	4/1984	Kilham	.....	D30/15
D. 277,703	2/1985	Kilham	.....	D30/14
D. 277,988	3/1985	Kilham	.....	D30/14
2,344,367	3/1944	Pueschel	.....	119/52 R
2,696,803	12/1954	Deffenbaugh	.....	119/52 R

3,205,860	9/1965	Moore	.....	119/52 R
4,246,869	1/1981	Tobin, Jr.	.....	119/51 R

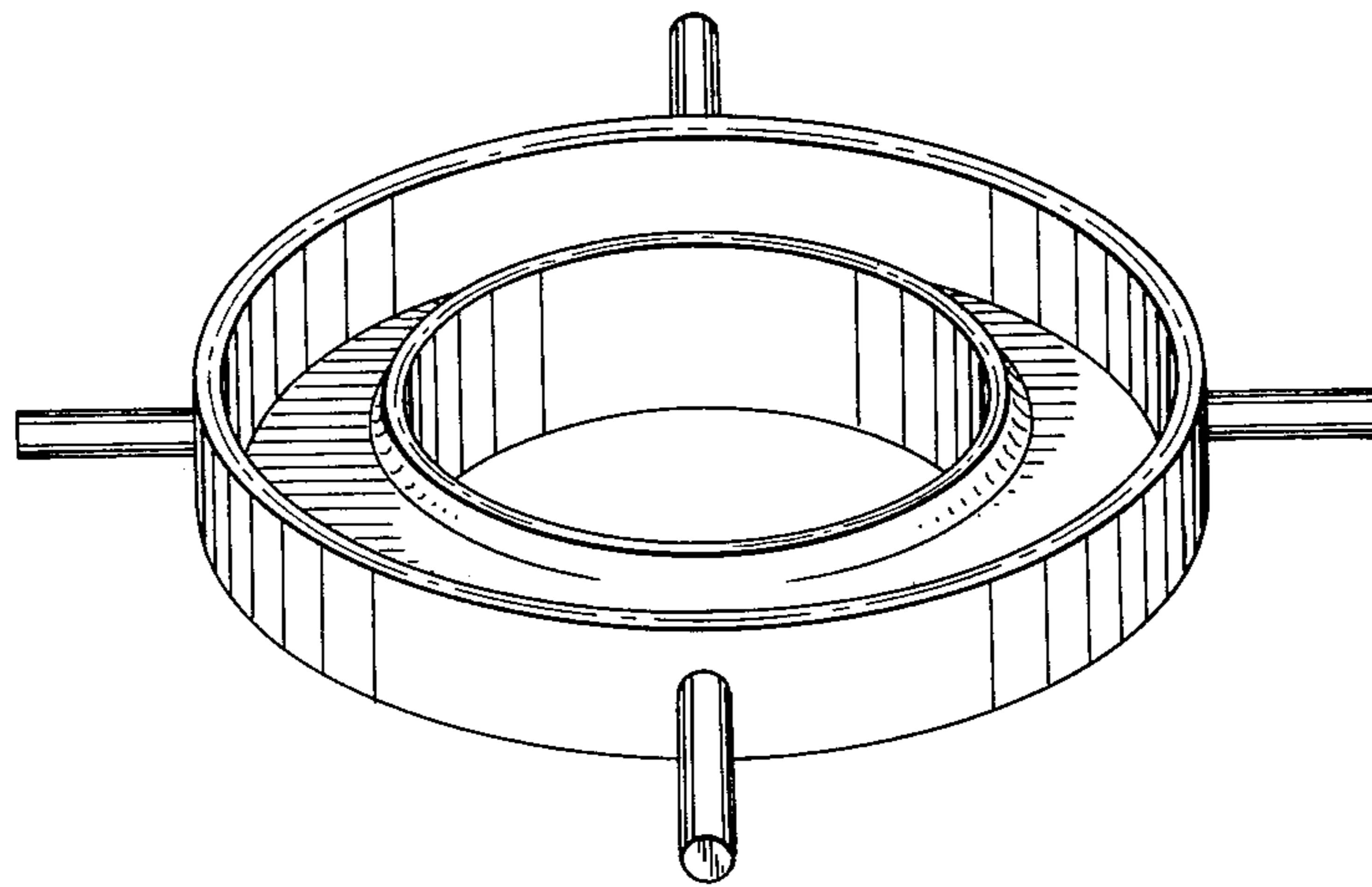
Primary Examiner—James R. Largen  
Attorney, Agent, or Firm—Robert J. Doherty

[57] CLAIM

The ornamental design for a combined trough and perch for a bird feeder, substantially as shown and described.

DESCRIPTION

FIG. 1 is a front perspective view of a combined trough and perch for a bird feeder showing my new design; FIG. 2 is a top plan view thereof; FIG. 3 is a side elevational view thereof; FIG. 4 is a bottom plan view thereof; FIG. 5 is front perspective view of a modified form of the combined trough and perch for a bird feeder shown in FIG. 1; FIG. 6 is top plan view of FIG. 5; FIG. 7 is side elevational view of FIG. 5; and FIG. 8 is a bottom plan view of FIG. 5.



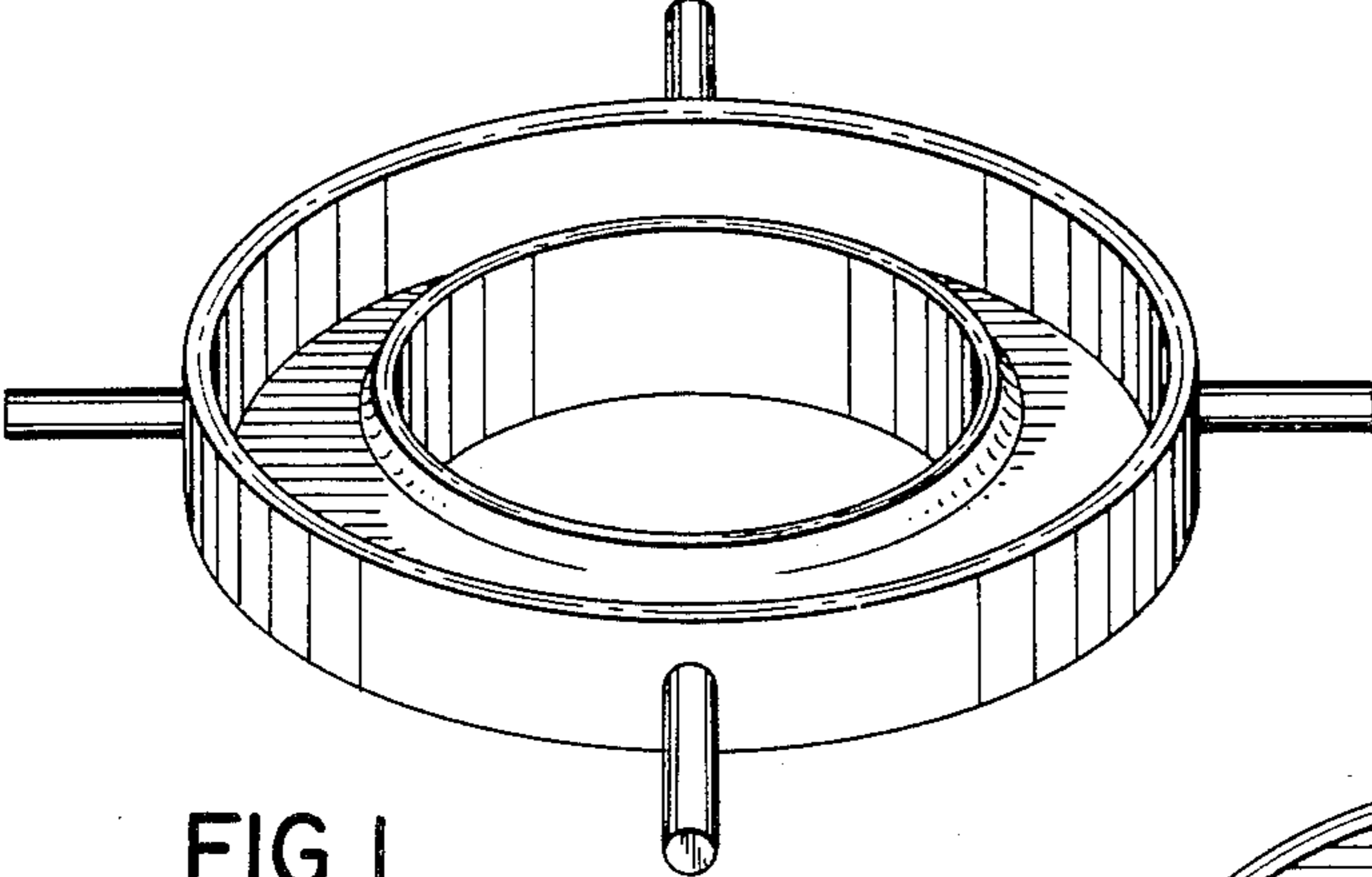


FIG. 1

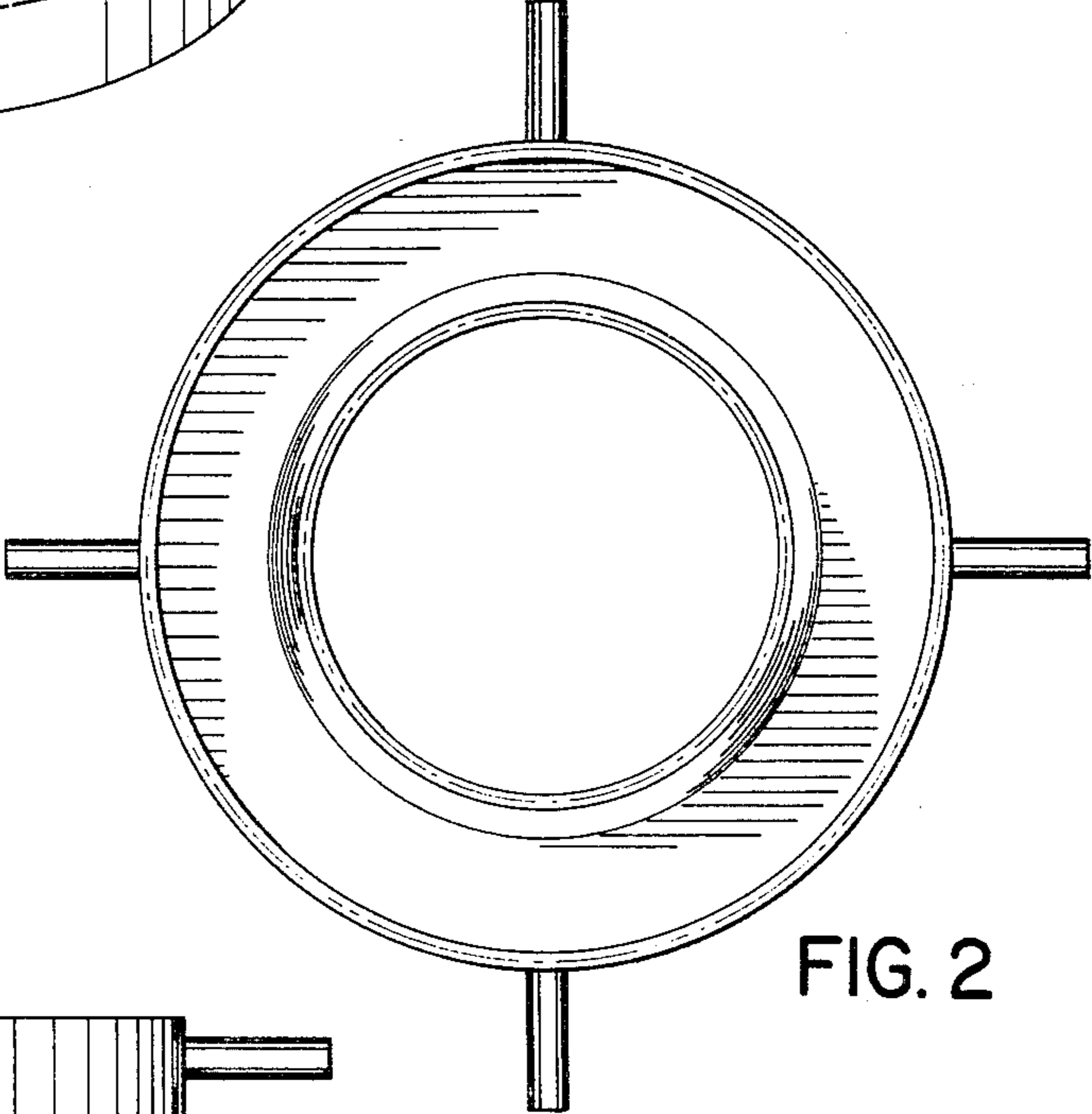


FIG. 2

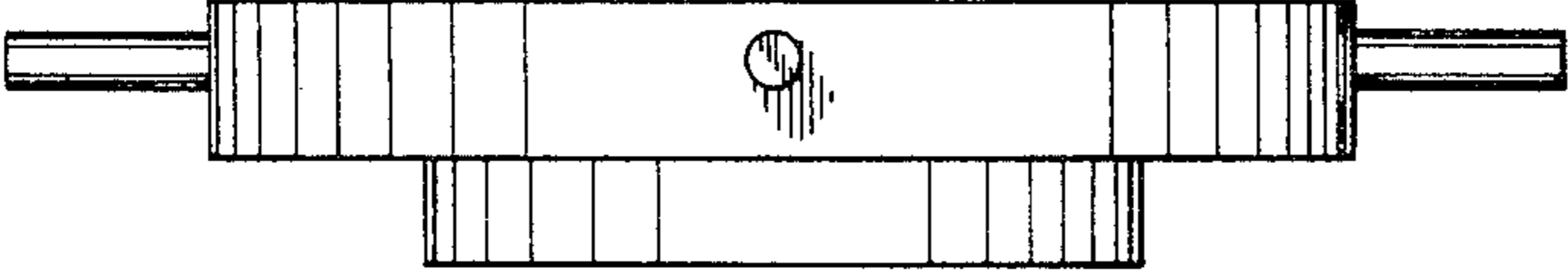


FIG. 3

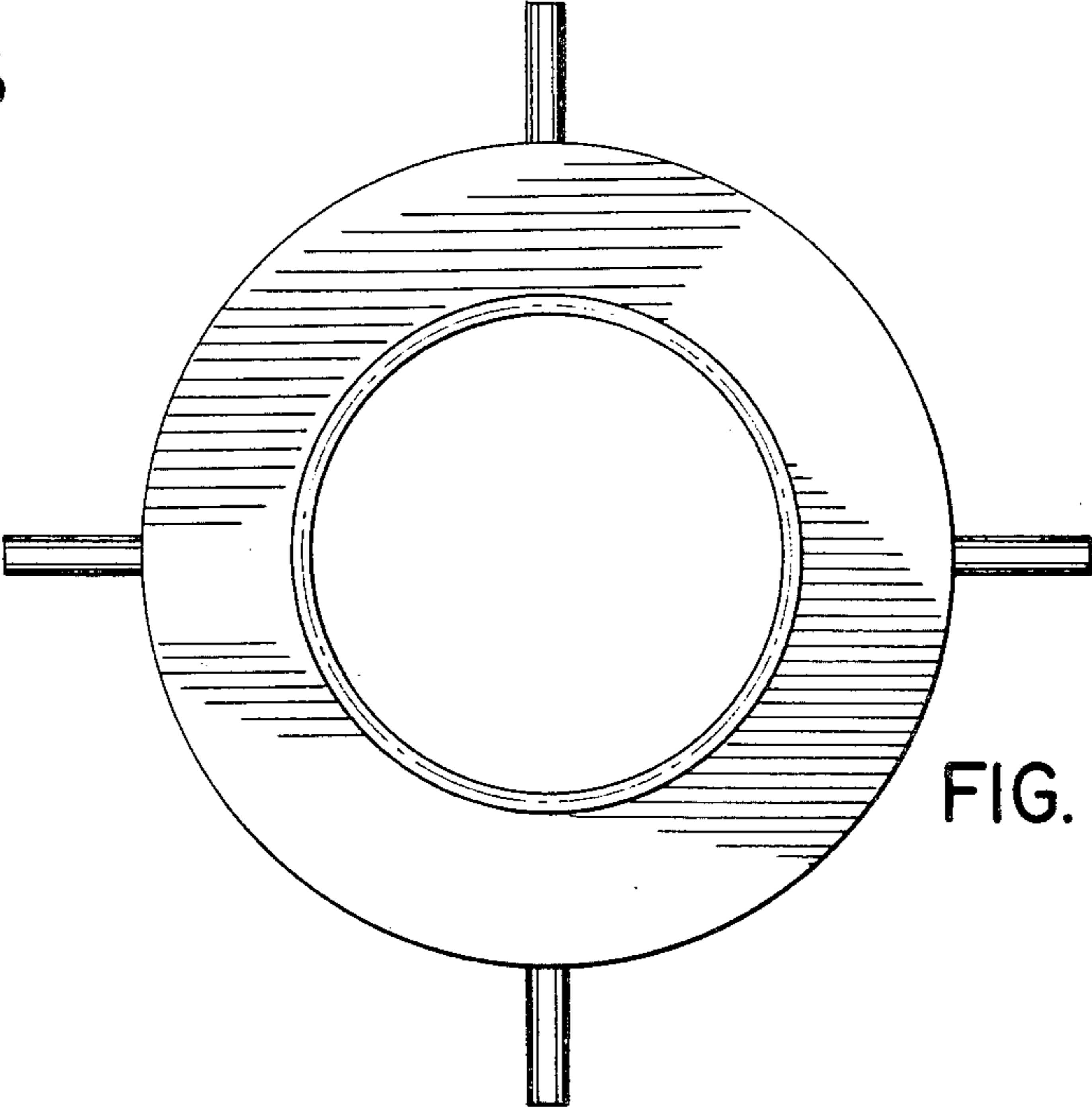


FIG. 4

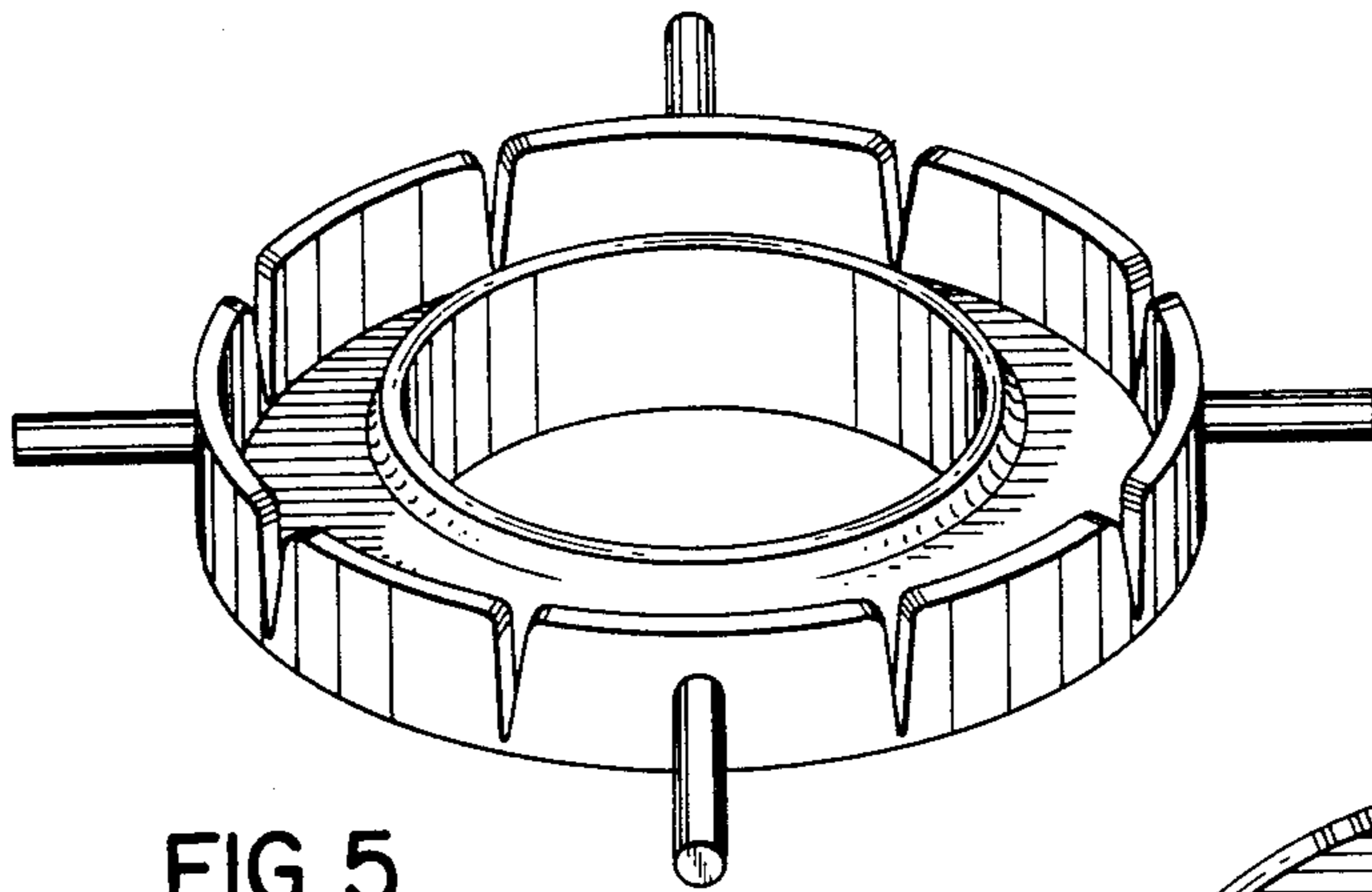


FIG. 5

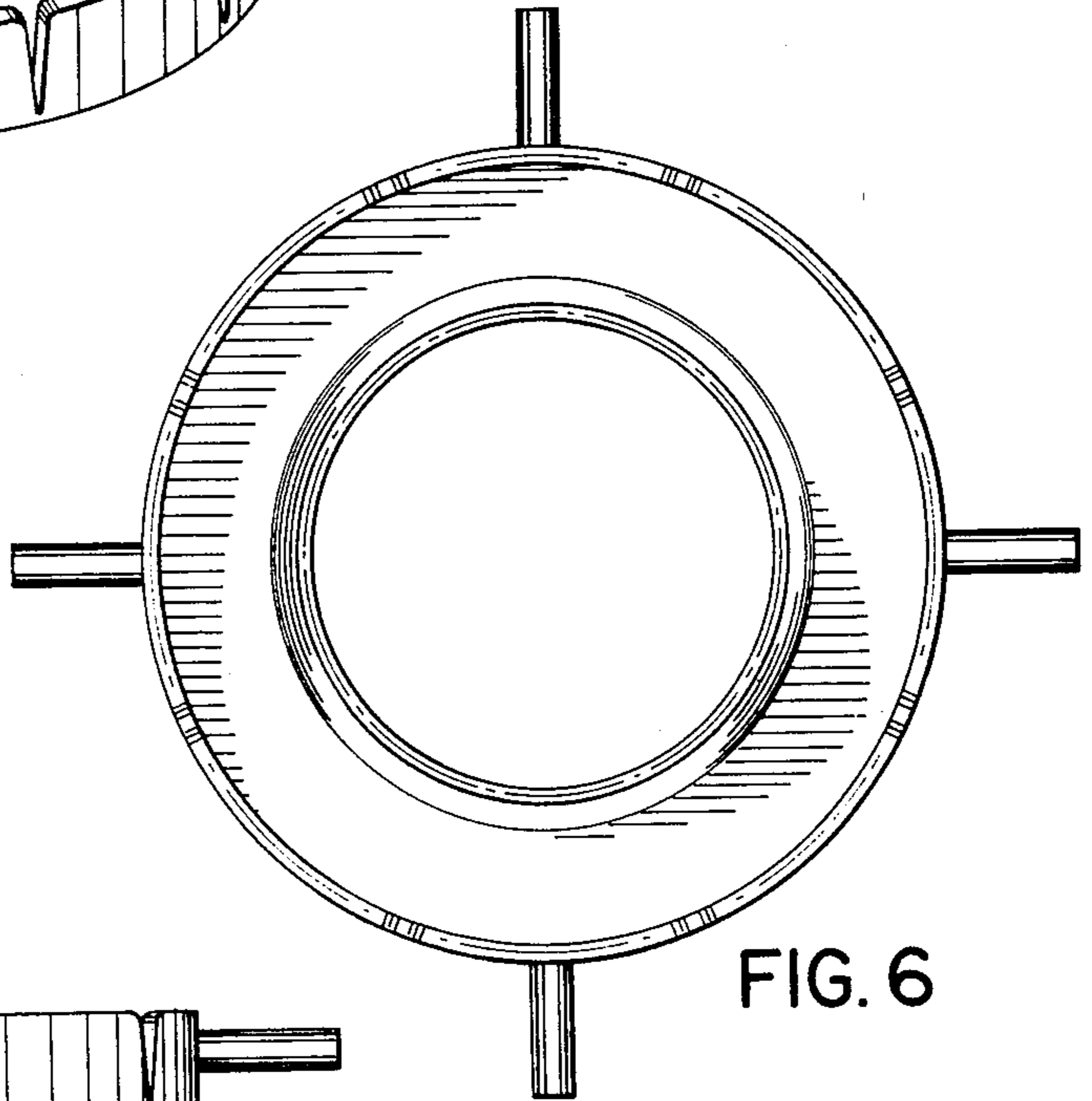


FIG. 6

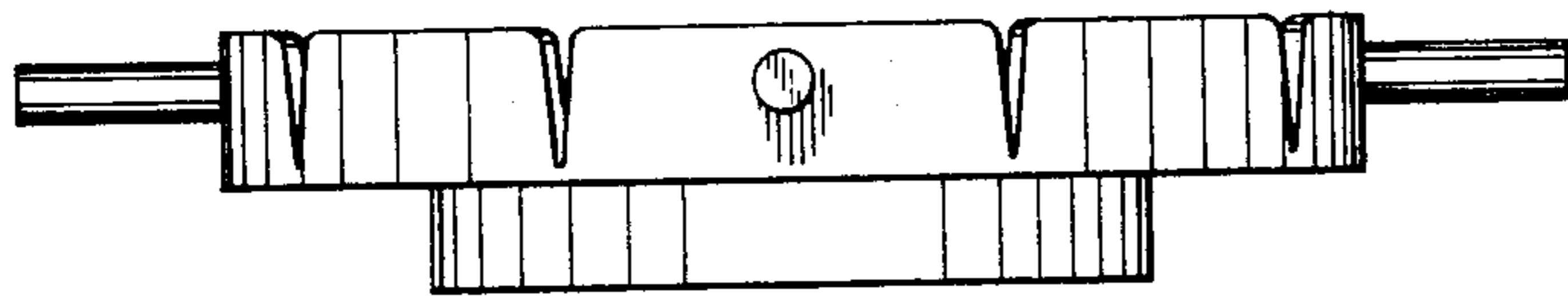


FIG. 7

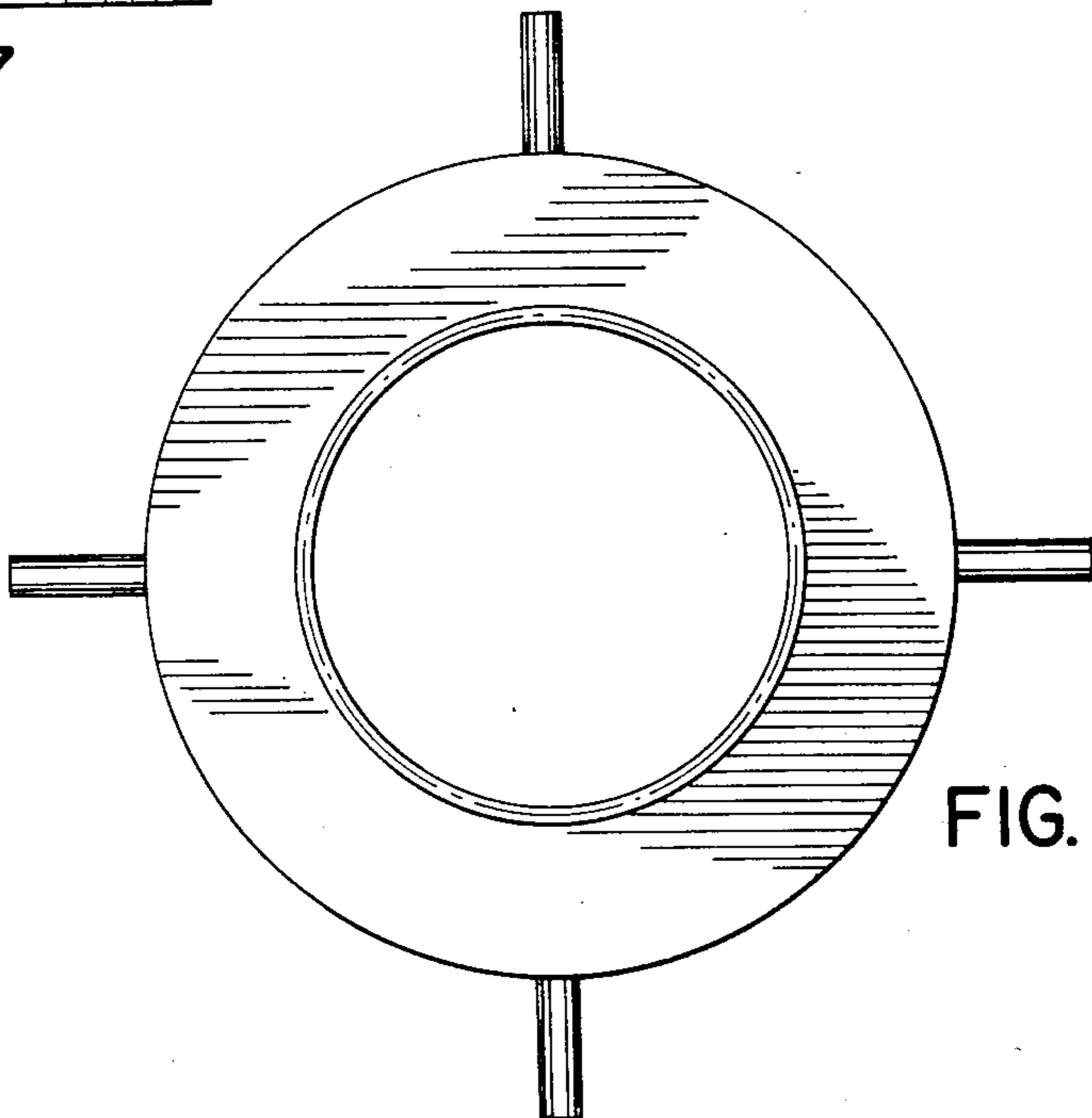


FIG. 8