

[54] **FOLDABLE, LIGHTED HAND MIRROR**

[76] **Inventor: Raymond Boyd, 2235 Cambridge Rd., Broomall, Pa. 19008**

[**] **Term: 14 Years**

[21] **Appl. No.: 334,902**

[22] **Filed: Dec. 28, 1981**

Related U.S. Application Data

[63] Continuation-in-part of Ser. No. 55,023, Jul. 5, 1979, Pat. No. Des. 264,387.

[52] **U.S. Cl. D6/309; D6/311**

[58] **Field of Search D28/65-72; D6/235, 245; 132/83 R, 83 E; 362/135, 142, 144**

References Cited

U.S. PATENT DOCUMENTS

D. 38,393	1/1907	Rice	D6/245
D. 85,790	12/1931	Teague	D28/69
D. 144,084	3/1946	Troy et al.	D28/69
D. 209,437	11/1967	Rothman	D28/67
1,497,414	6/1924	Tamis	132/83 R

1,932,006 10/1933 Adams et al. D28/69 X
 2,352,819 7/1944 Winslow

Primary Examiner—Louis S. Zarfes

[57] **CLAIM**

The ornamental design for a foldable, lighted hand mirror, substantially as shown and described.

DESCRIPTION

FIG. 1 is a top plan view of a foldable, lighted hand mirror showing my new design;
 FIG. 2 is a bottom plan view thereof;
 FIG. 3 is a side elevational view thereof;
 FIG. 4 is an end elevational view thereof, looking toward the handle of the mirror;
 FIG. 5 is an end elevational view thereof, looking toward the head of the mirror;
 FIG. 6 is a perspective view illustrating the front of the foldable, lighted hand mirror in a partially opened position;
 FIG. 7 is a side elevational view thereof;
 FIG. 8 is a rear elevational view thereof;
 FIG. 9 is a top plan view illustrating the foldable, lighted hand mirror in a closed position; and
 FIG. 10 is a bottom plan view thereof.

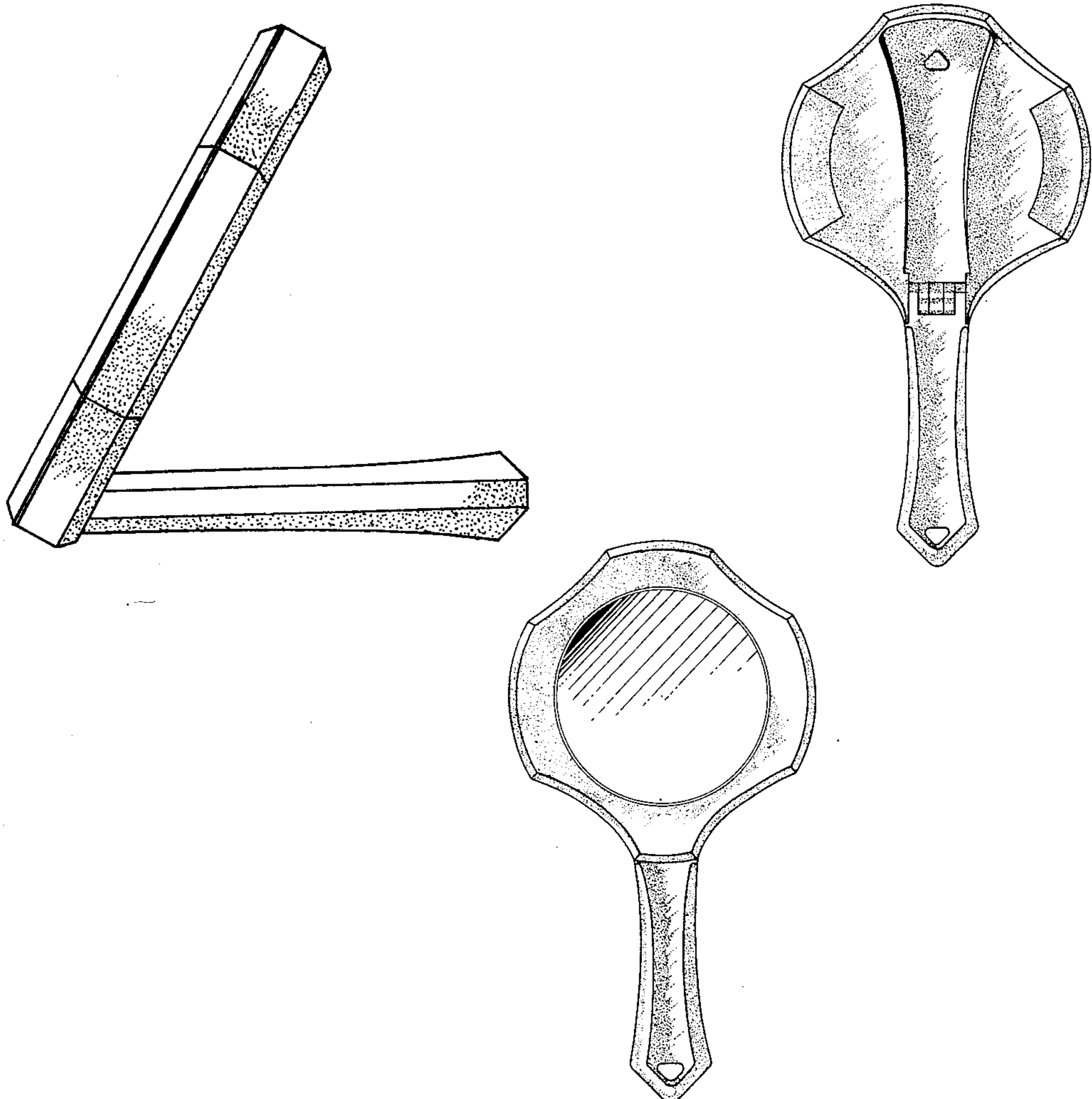


FIG. 5

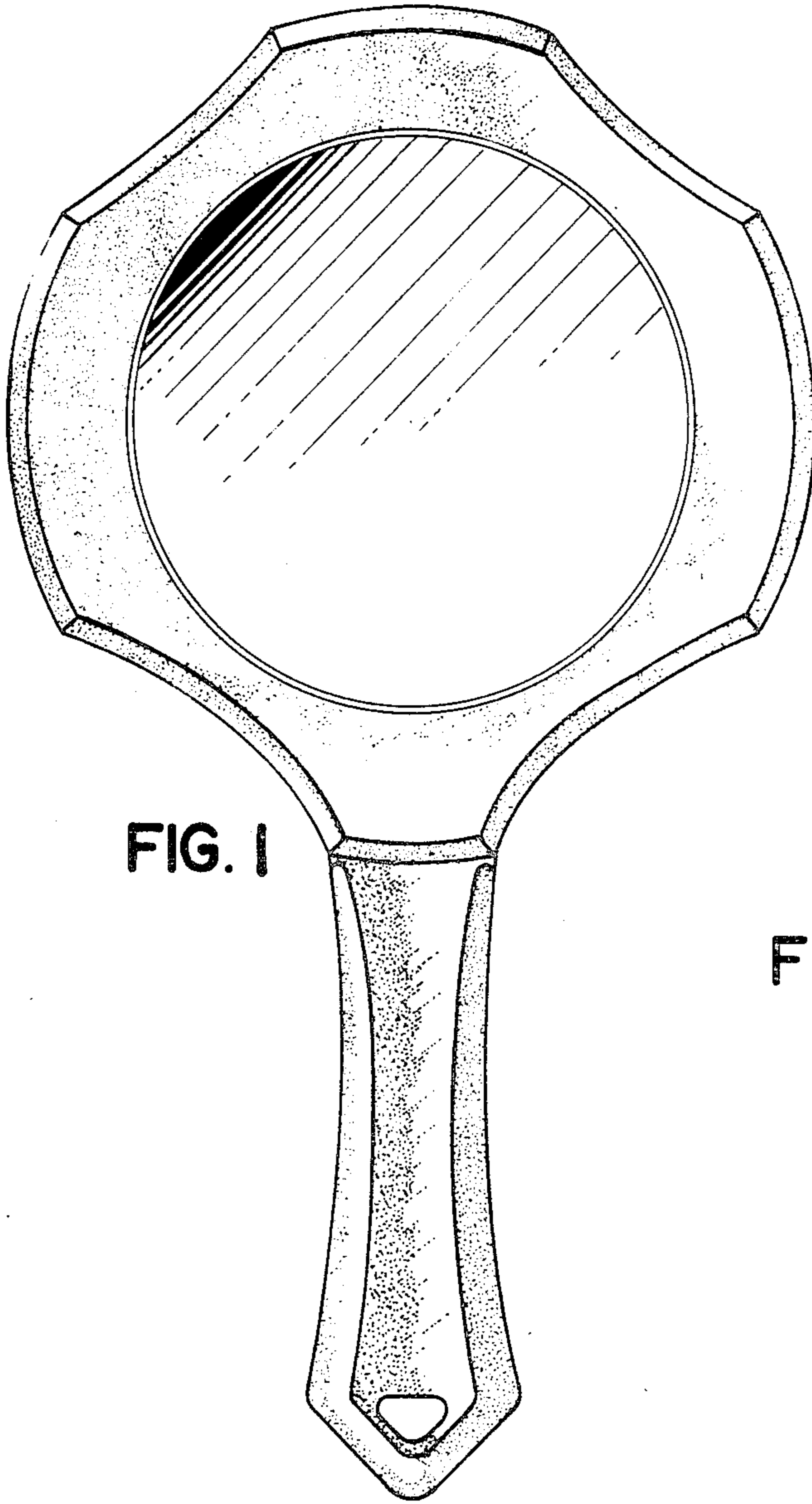
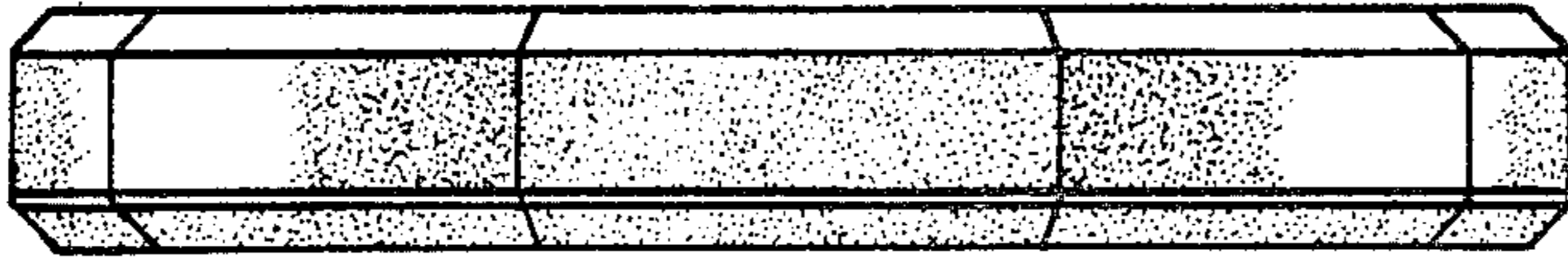
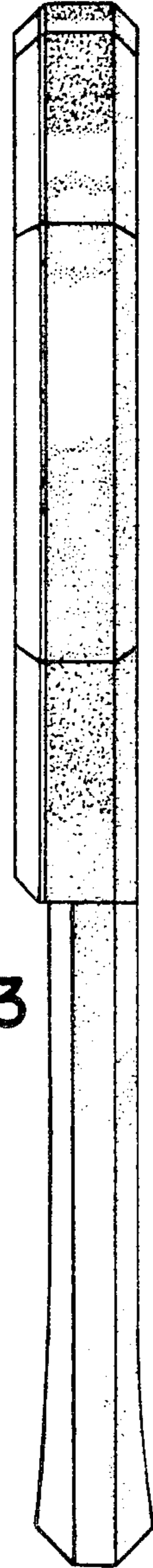


FIG. 1

FIG. 3



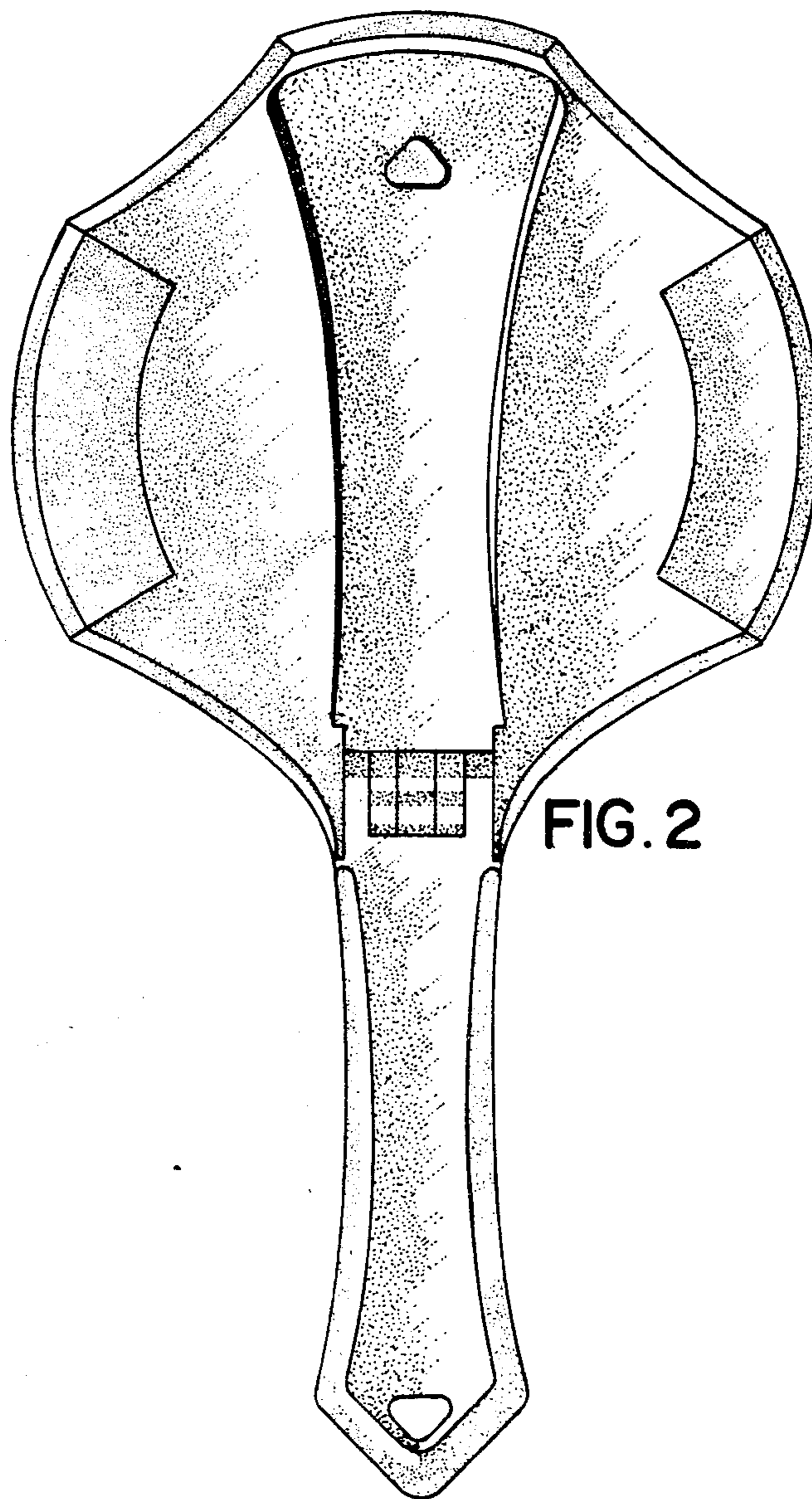


FIG. 2

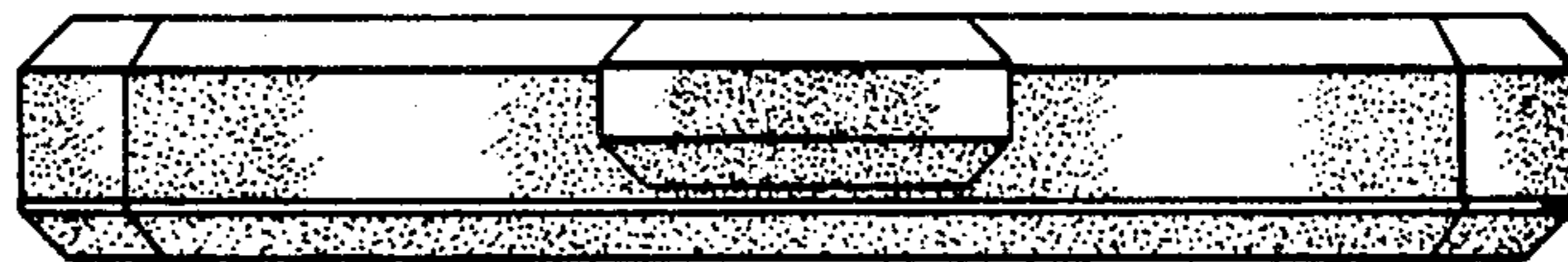
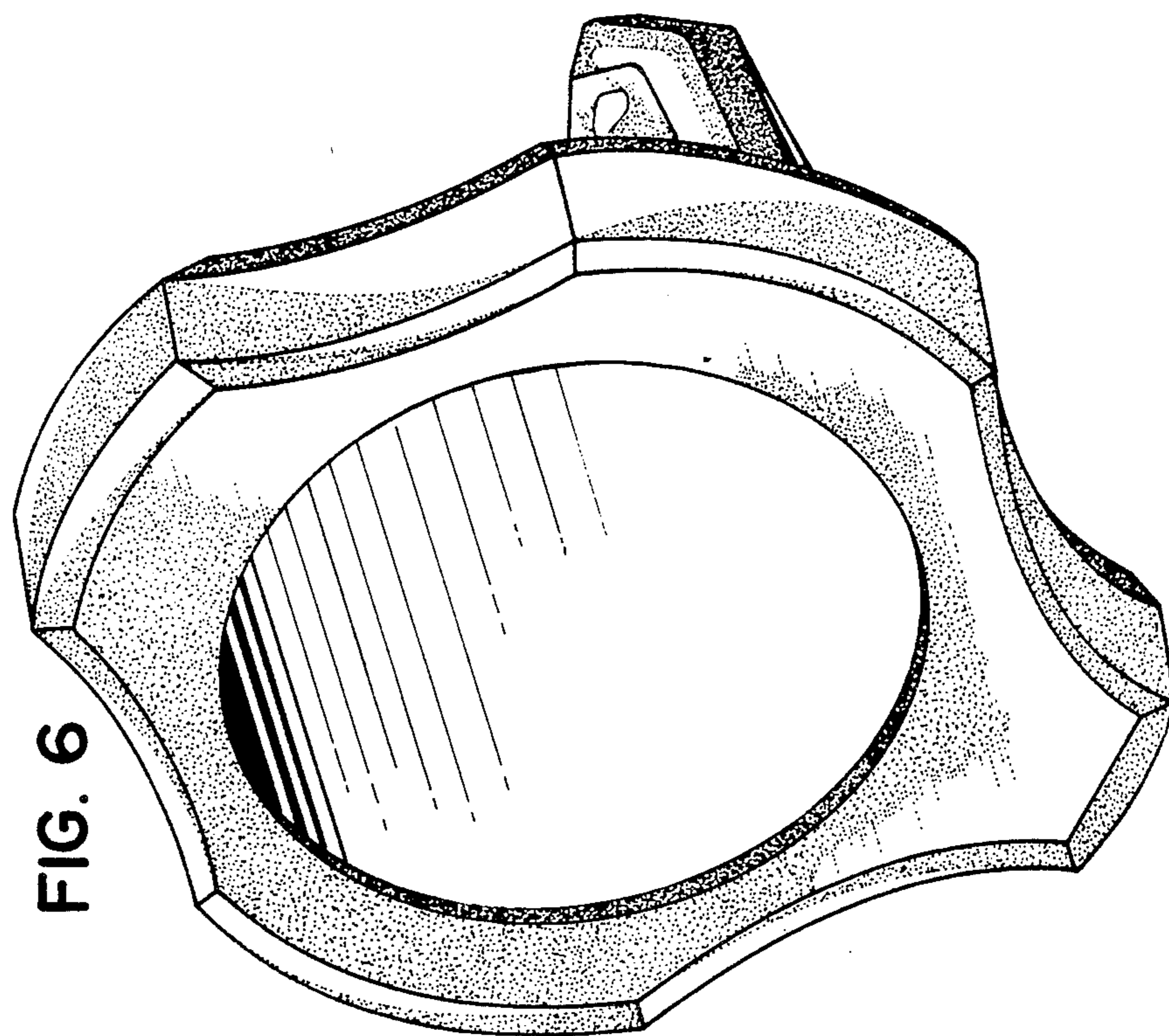
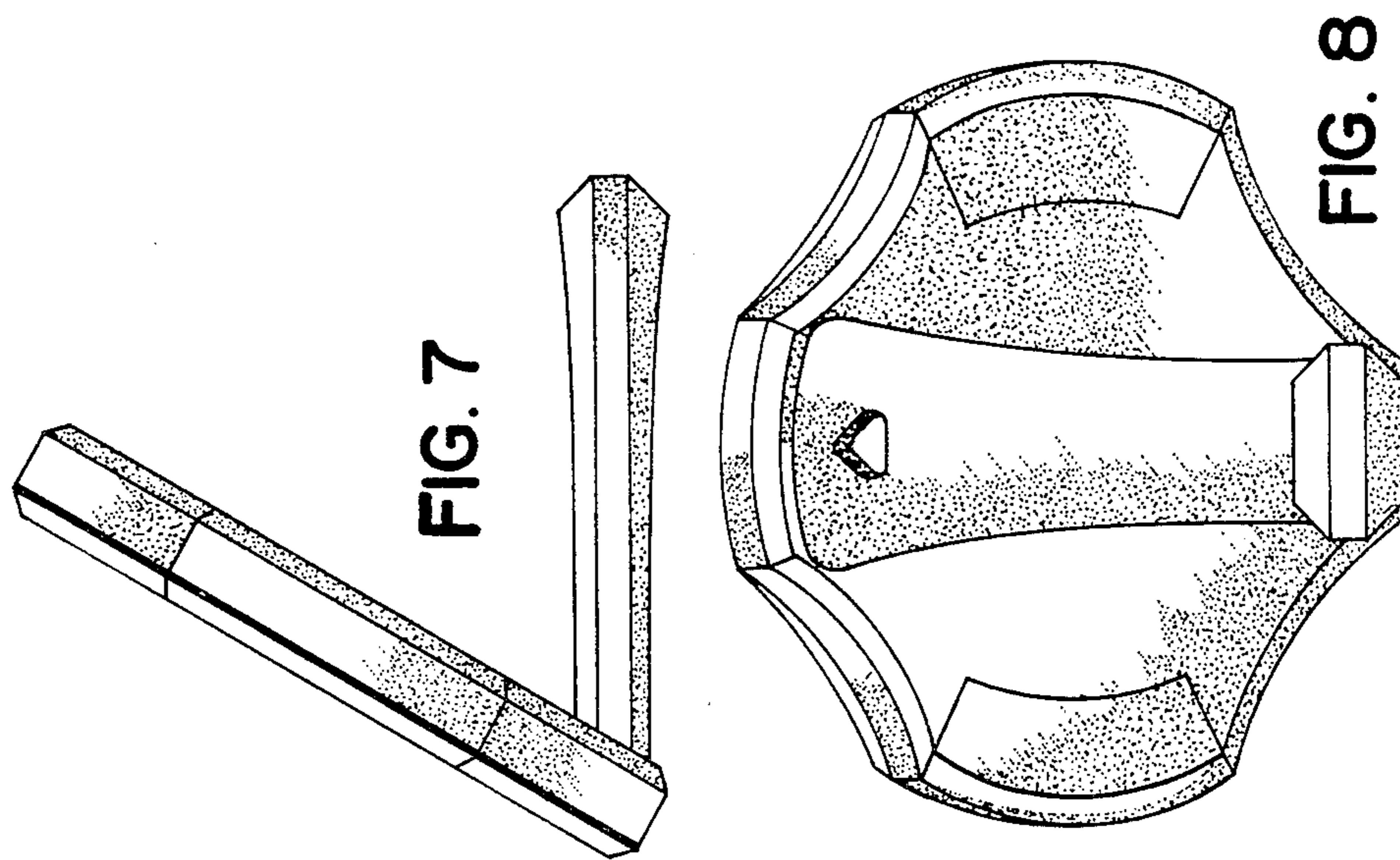


FIG. 4



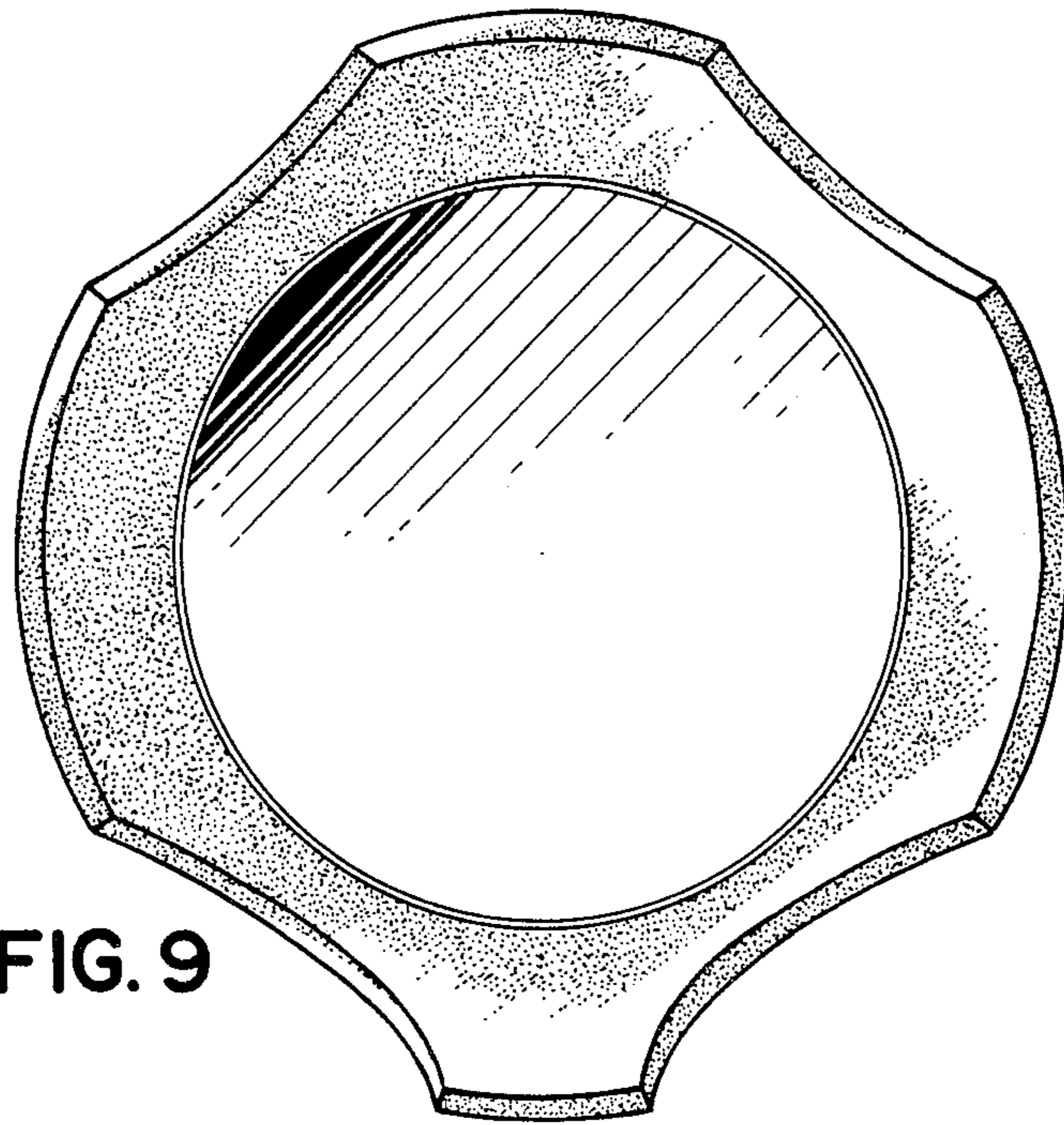


FIG. 9

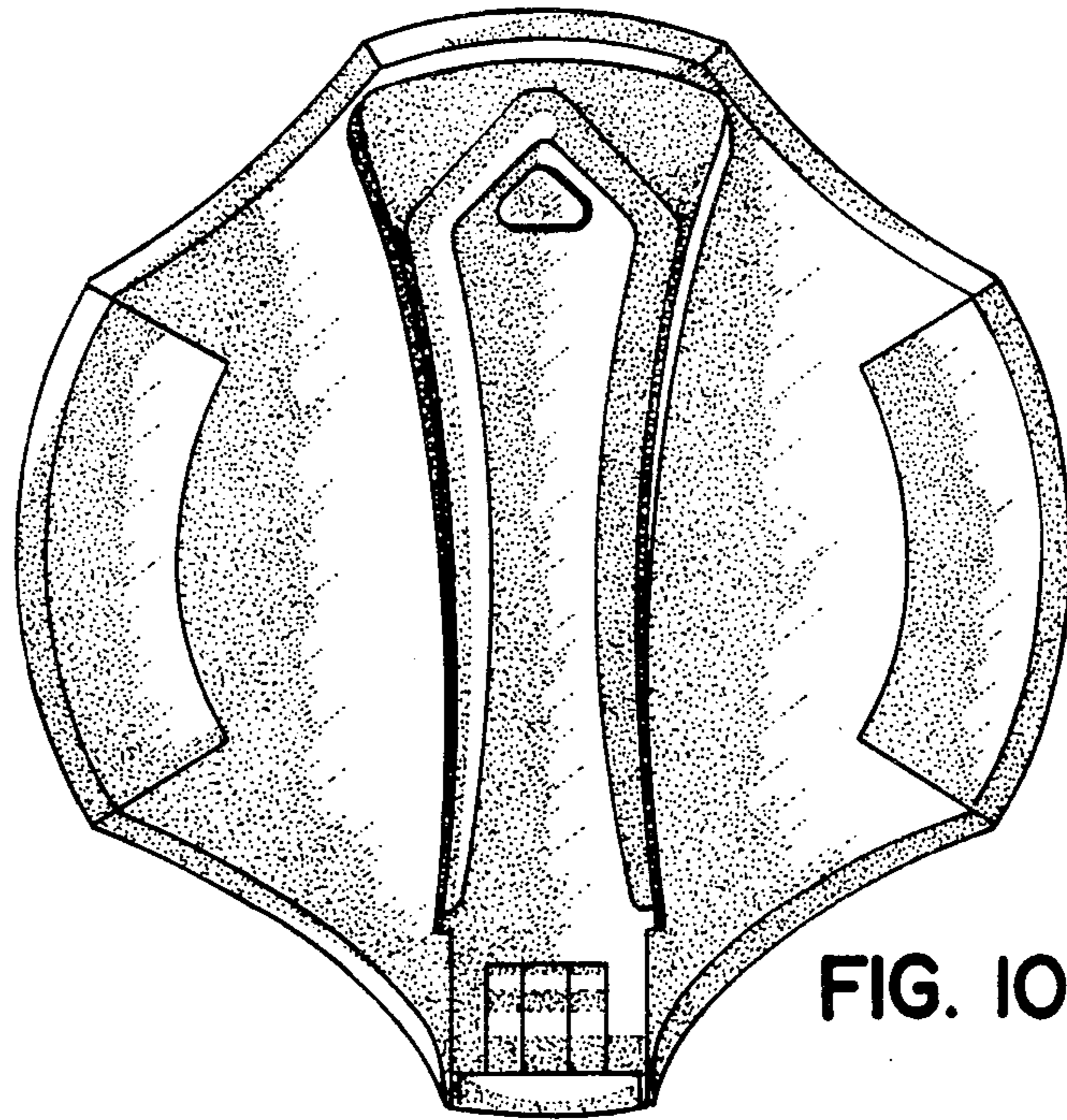


FIG. 10