

[54] HOLDER FOR MEDICAL WASTE DISPOSAL CONTAINER

4,380,292 4/1983 Cramer 206/366
4,485,918 12/1984 Mayer 206/366
4,488,643 12/1984 Pepper 206/366

[75] Inventor: Richard F. Gianni, Danville, Calif.

FOREIGN PATENT DOCUMENTS

[73] Assignee: Biosafety Systems, Inc., San Diego, Calif.

2740335 3/1979 Fed. Rep. of Germany 206/366

[**] Term: 14 Years

Primary Examiner—Catherine E. Kemper
Attorney, Agent, or Firm—Fulwider, Patton, Rieber,
Lee & Utecht

[21] Appl. No.: 490,866

[57] CLAIM

[22] Filed: May 2, 1983

[52] U.S. Cl. D24/99

The ornamental design for a holder for medical waste disposal container, substantially as shown and described.

[58] Field of Search D24/29, 99, 8; D34/1, D34/7; 206/365, 366, 367, 370, 371, 63.5

[56] References Cited

DESCRIPTION

U.S. PATENT DOCUMENTS

D. 265,125	6/1982	Jordan	D24/29
D. 265,684	8/1982	Christoffel et al.	D24/99
D. 273,327	4/1984	Simicich	D24/29
D. 274,159	6/1984	Simicich	D24/99
4,315,592	2/1982	Smith	206/370 X
4,351,434	9/1982	Elisha	206/366
4,375,849	3/1983	Hanifl	206/63.5 X

FIG. 1 is a bottom rear perspective view of a holder for medical waste disposal container embodying my design; FIG. 2 is a rear view thereof; FIG. 3 is a left side view thereof; FIG. 4 is a front view thereof; FIG. 5 is a bottom plan view thereof; FIG. 6 is a top plan view thereof; FIG. 7 is a sectional view taken on line 7—7 of FIG. 1.

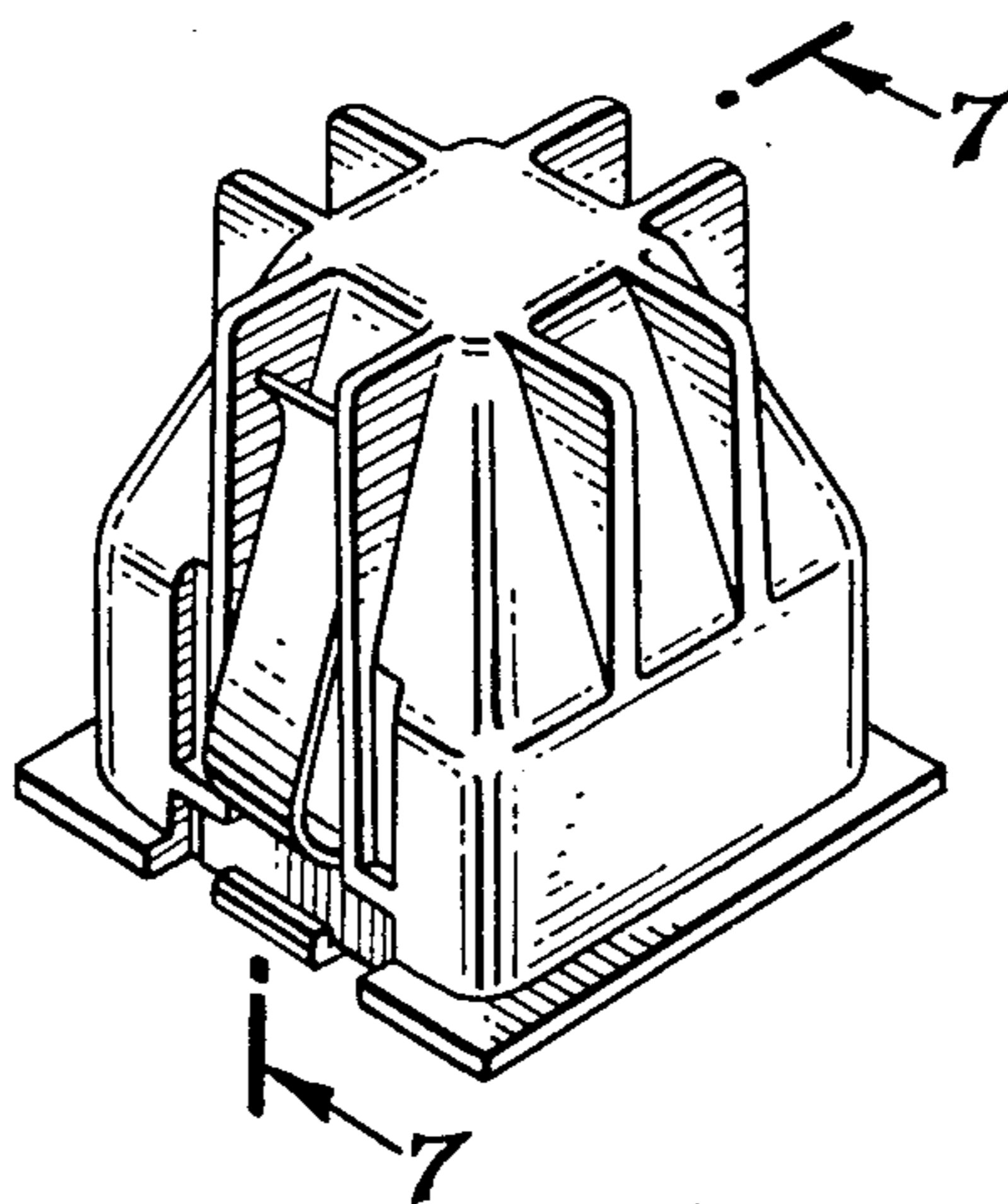


FIG. 1

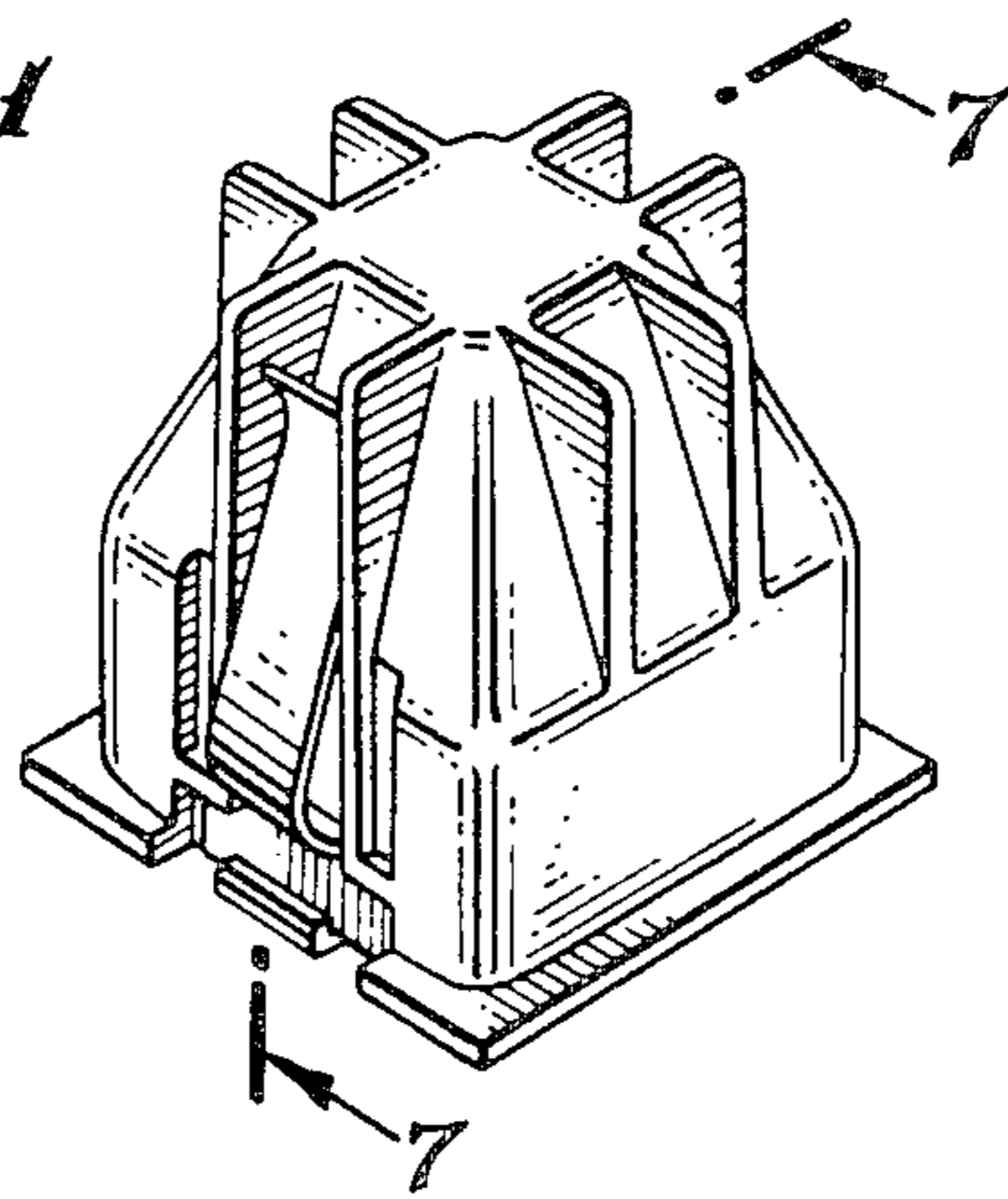


FIG. 3

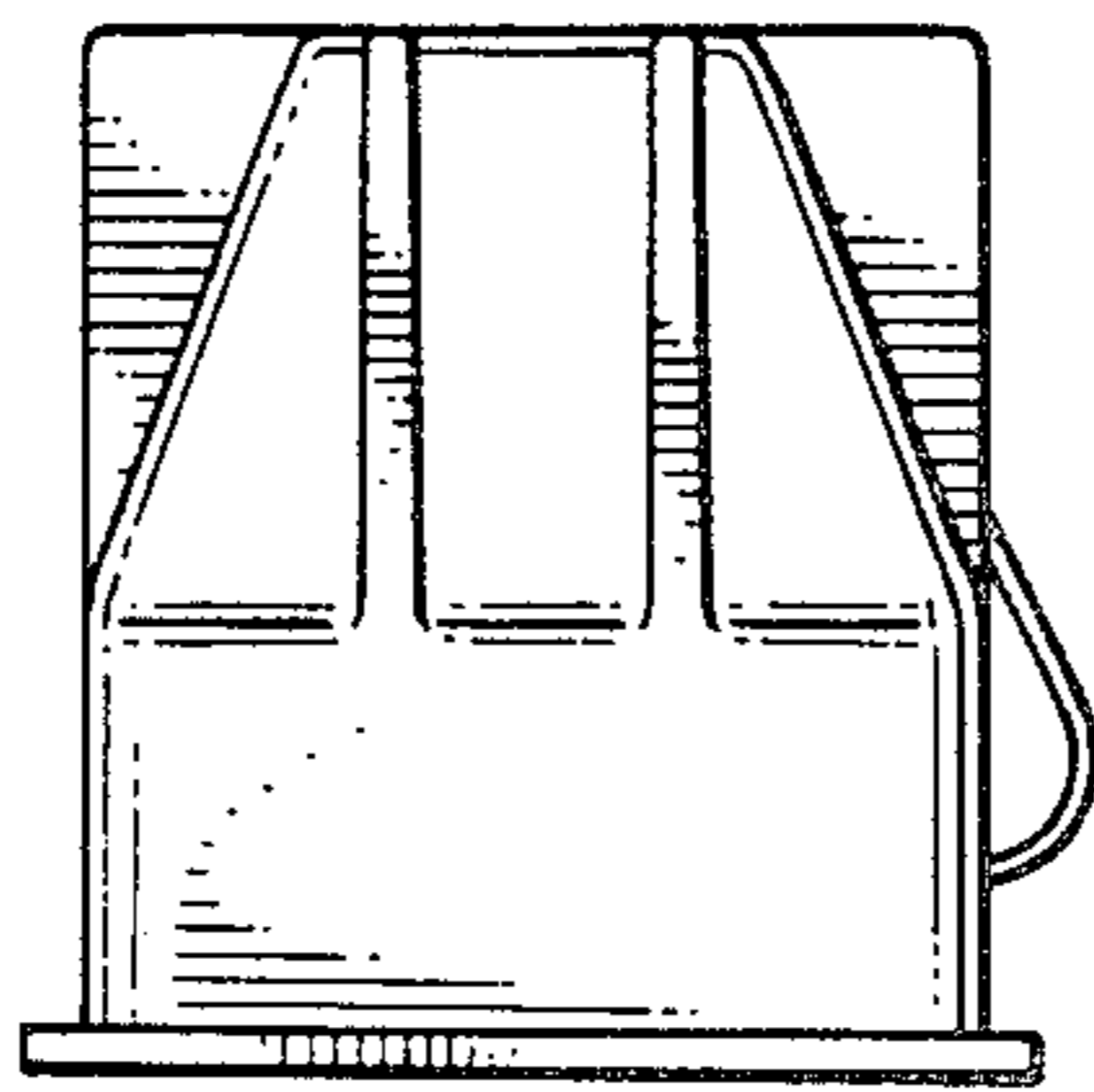


FIG. 2

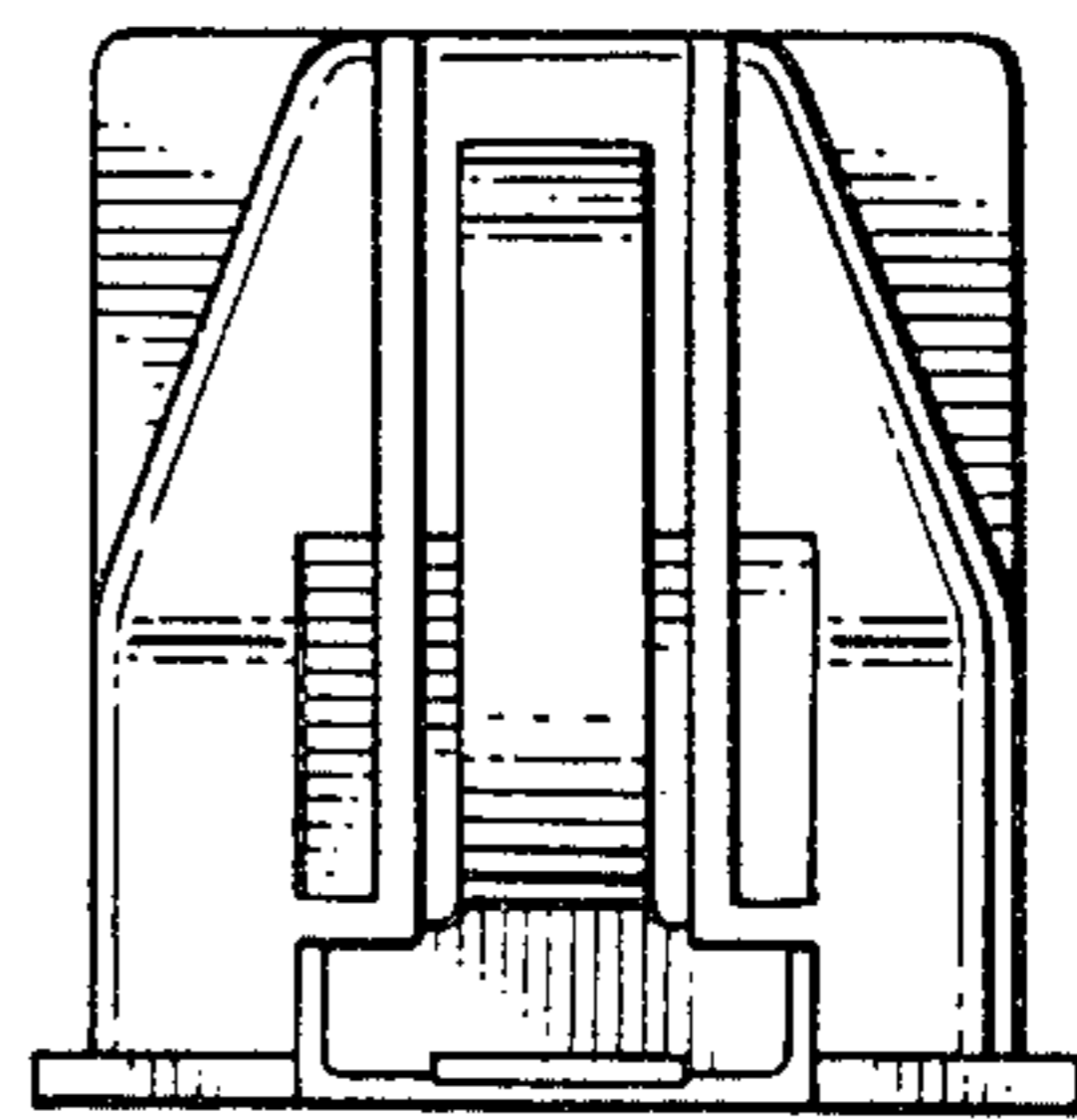


FIG. 4

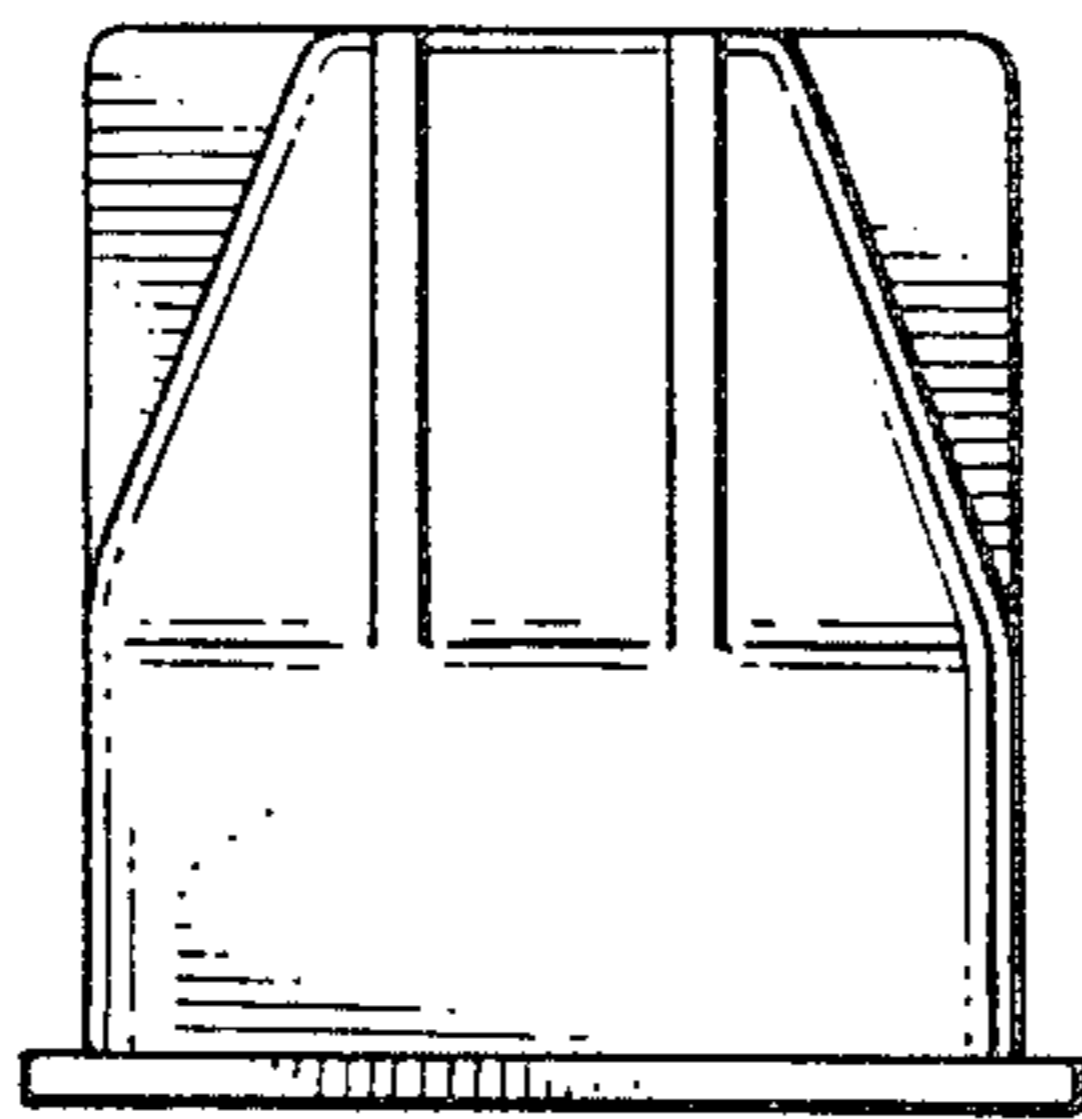


FIG. 7

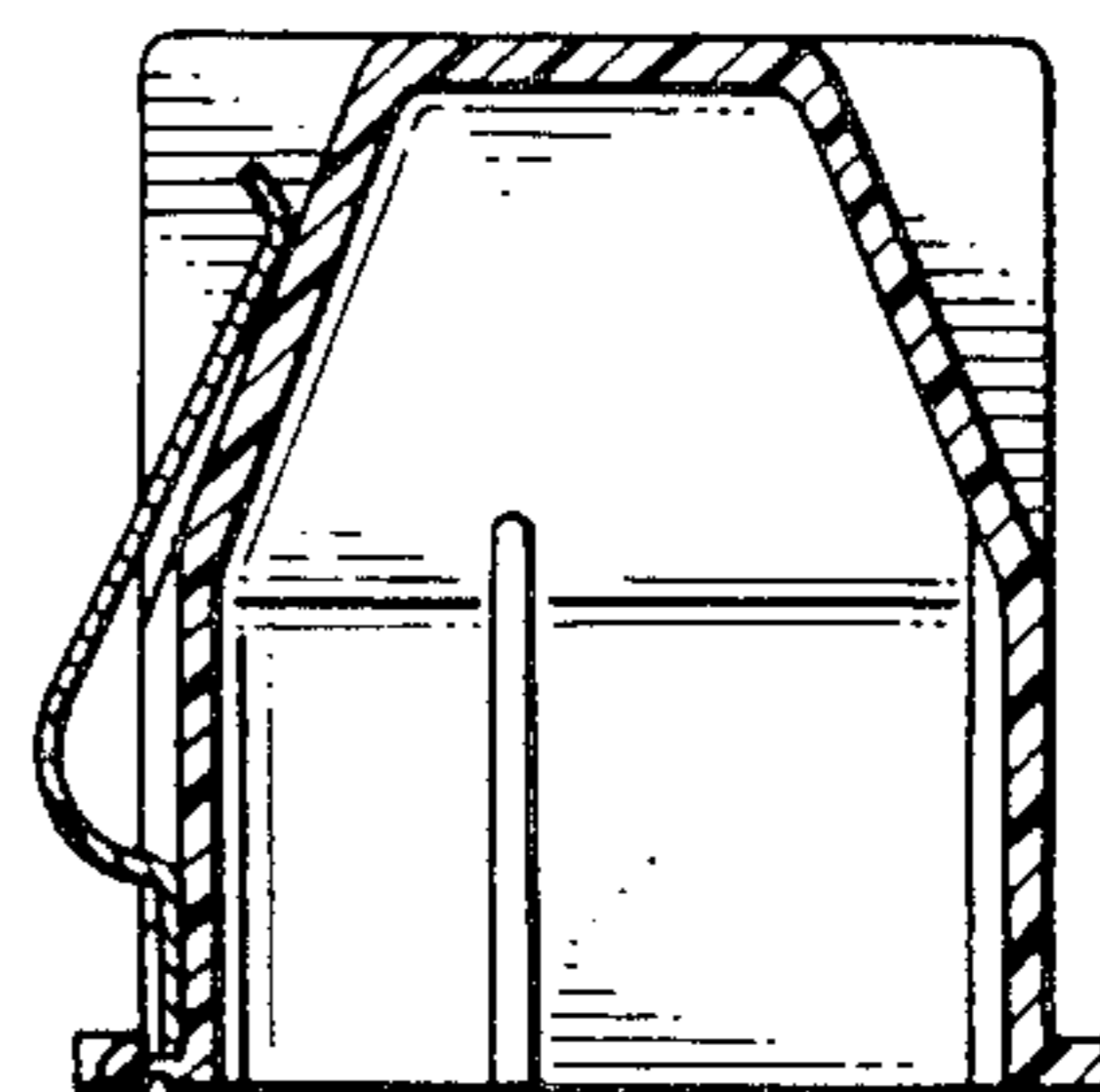


FIG. 5

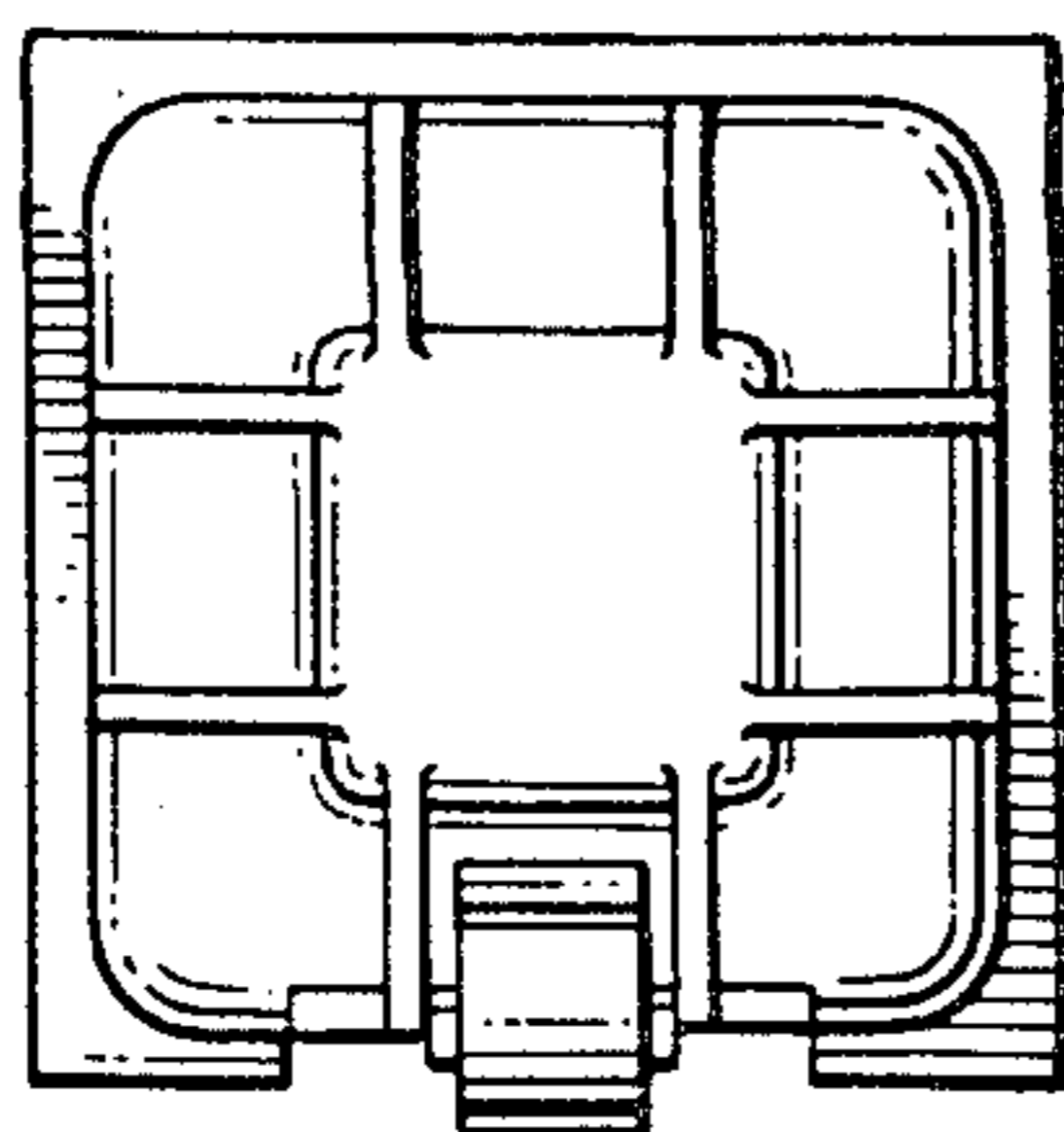


FIG. 6

