

[54] CHAMBER BASE FOR CATHETER

[76] Inventor: Richard H. McFarlane, 2571 Kaneville Rd., Geneva, Ill. 60134

[**] Term: 14 Years

[21] Appl. No.: 507,223

[22] Filed: Jun. 23, 1983

[52] U.S. Cl. D24/54; D24/24

[58] Field of Search D24/51, 52, 53, 54, D24/60, 59, 24; 604/168, 900

[56] References Cited

U.S. PATENT DOCUMENTS

D. 269,549	6/1983	Gross	D24/54
4,193,399	3/1980	Robinson	604/168
4,193,400	3/1980	Loveless et al.	604/900 X
4,317,445	3/1982	Robinson	604/168 X

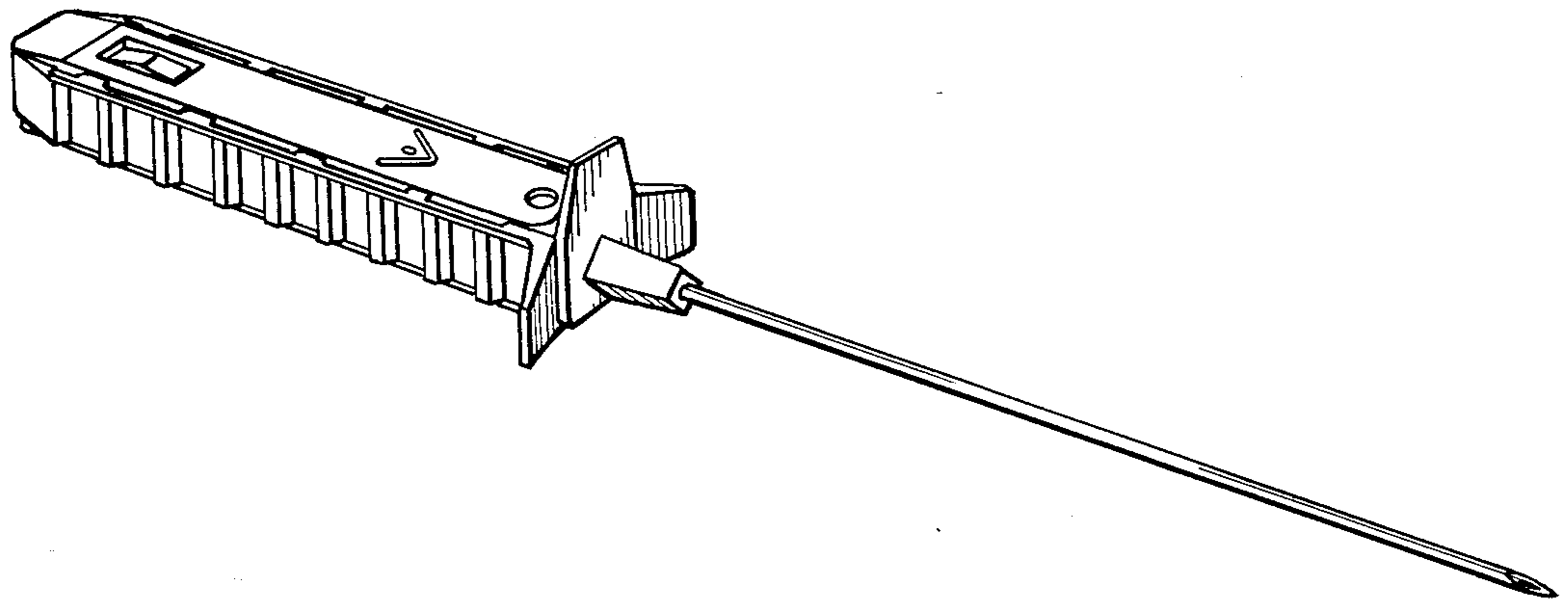
Primary Examiner—A. Hugo Word
Assistant Examiner—Stella Reid
Attorney, Agent, or Firm—John Cyril Malloy

[57] CLAIM

The ornamental design for a chamber base for catheter, as shown and described.

DESCRIPTION

FIG. 1 is an isometric view of a chamber base for catheter showing my new design;
FIG. 2 is a bottom plan view of the embodiment of FIG. 1;
FIG. 3 is a side elevational view representing both sides of the embodiment of FIG. 1;
FIG. 4 is a top plan view of the embodiment of FIG. 1;
FIG. 5 is a front end elevational view of the embodiment of FIG. 1;
FIG. 6 is a rear end elevational view of the embodiment of FIG. 1.



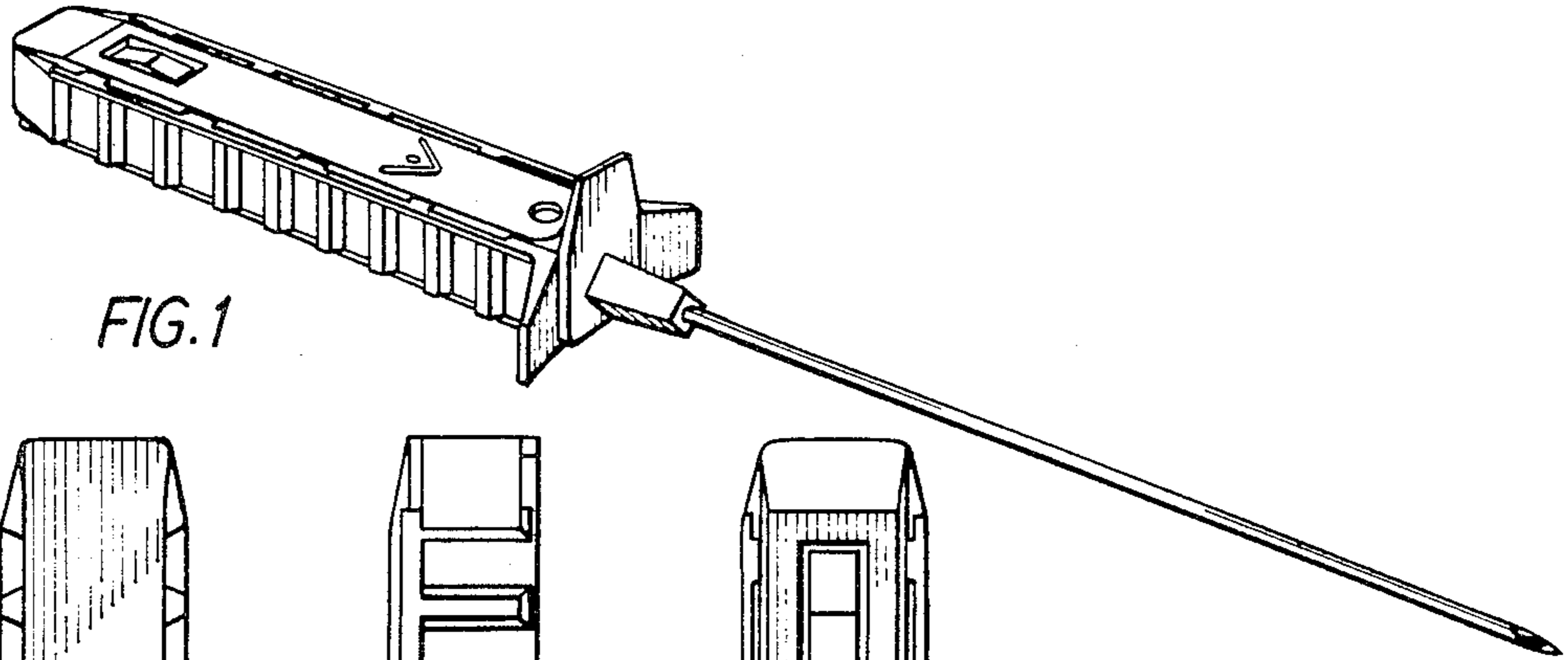


FIG. 1

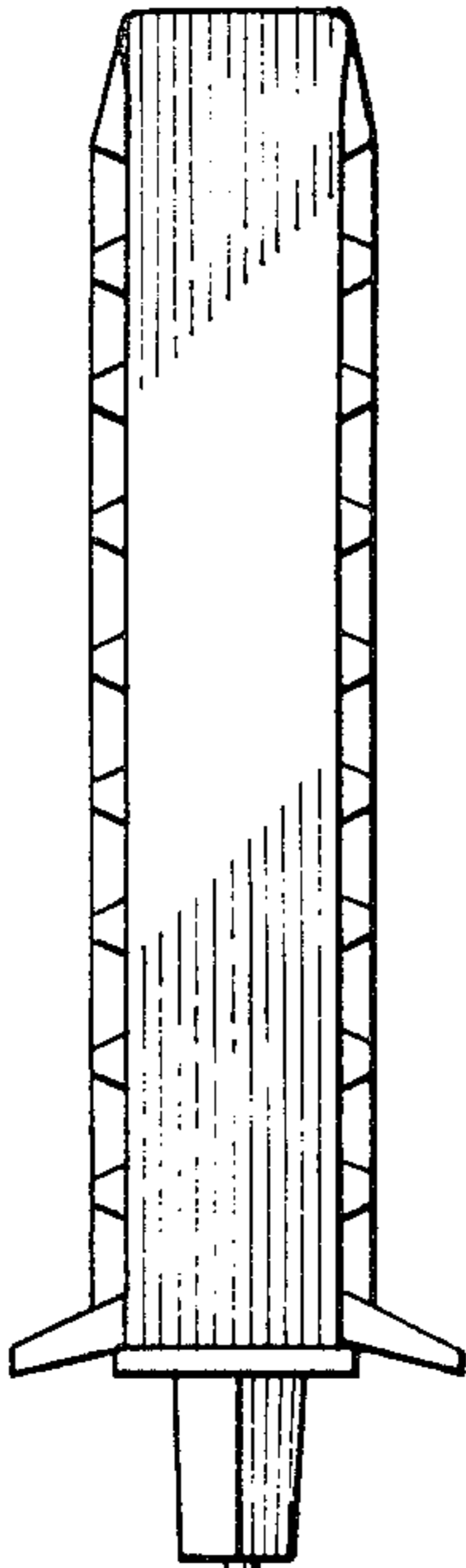


FIG. 2

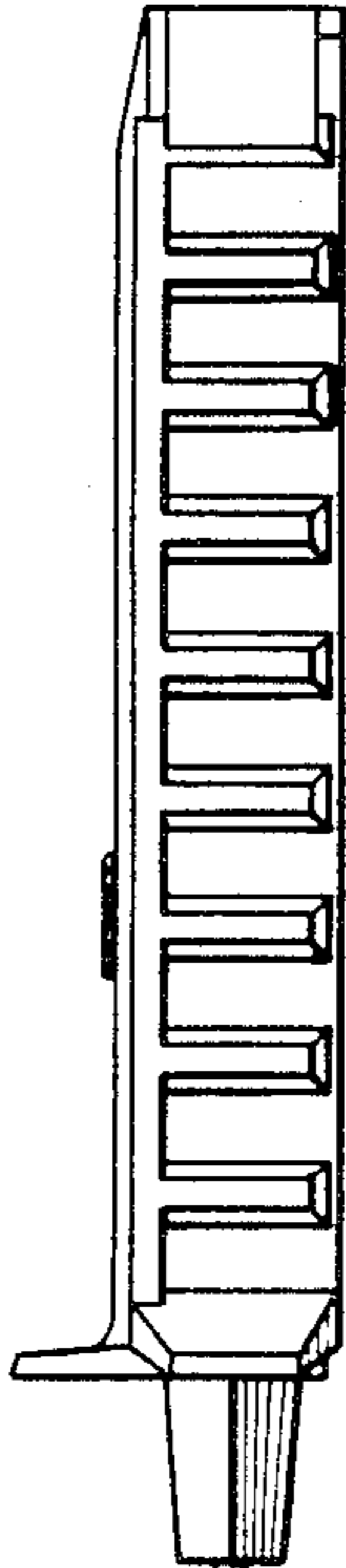


FIG. 3

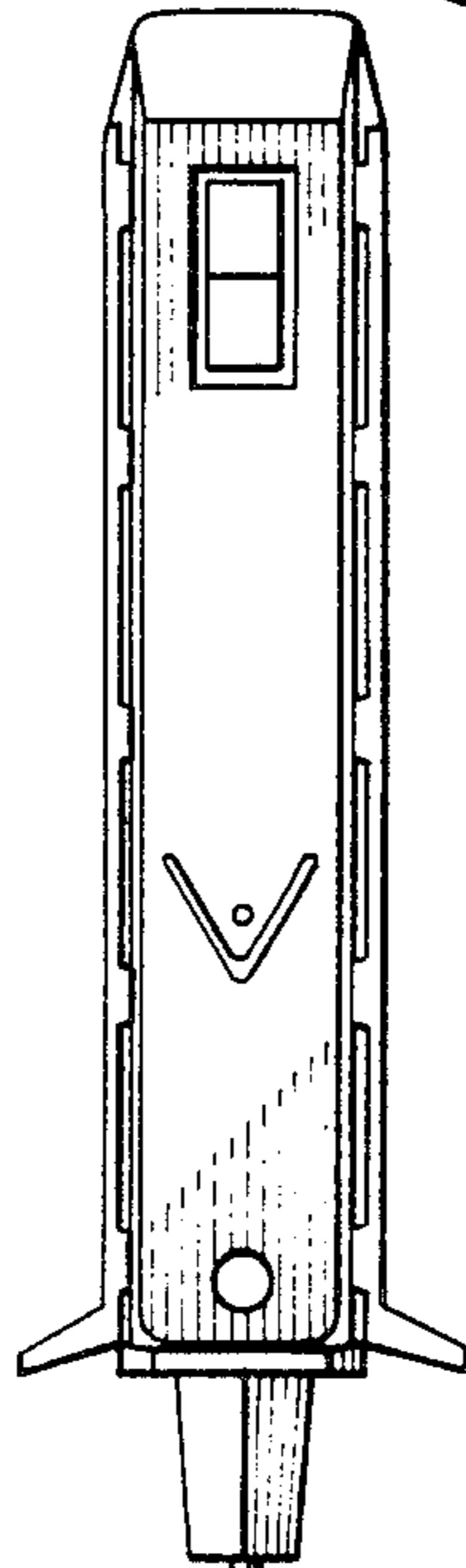


FIG. 4

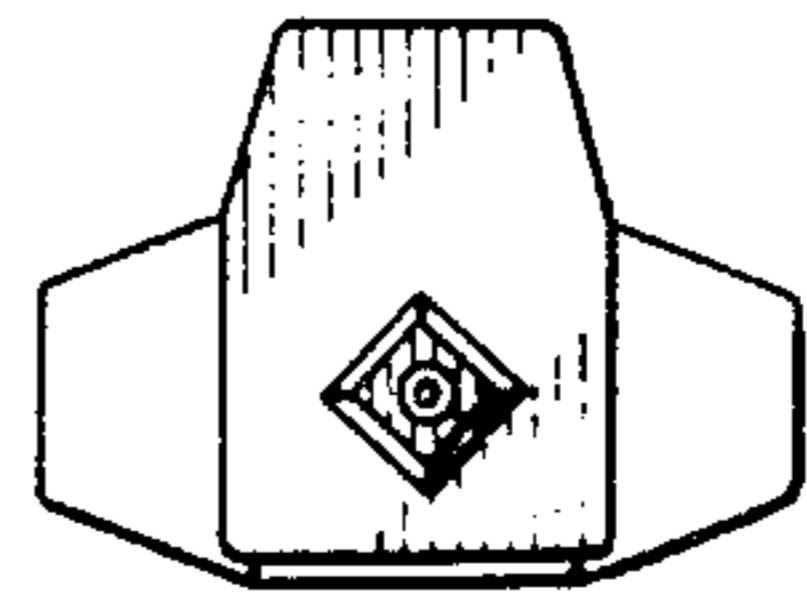


FIG. 5

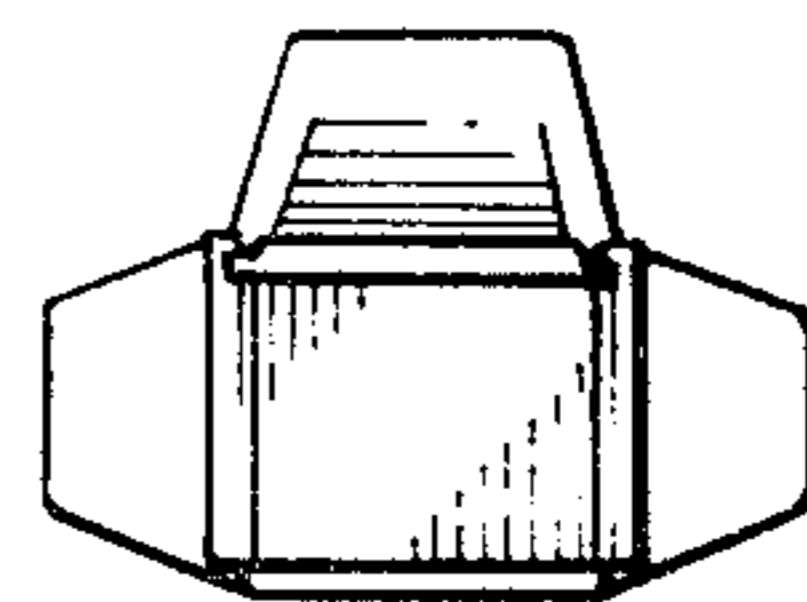


FIG. 6