

[54] IRRADIATION DEVICE FOR DENTAL SUBSTANCES

[75] Inventor: Alexander Neumeister, Munich, Fed. Rep. of Germany

[73] Assignee: ESPE Fabrik Pharmazeutischer Praeparate GmbH, Fed. Rep. of Germany

[**] Term: 14 Years

[21] Appl. No.: 491,046

[22] Filed: May 3, 1983

[30] Foreign Application Priority Data
Nov. 4, 1982 [DE] Fed. Rep. of Germany 11 AR3701/82

[52] U.S. Cl. D24/10

[58] Field of Search D24/10, 12; 433/29; 362/293

[56] References Cited
U.S. PATENT DOCUMENTS

- D. 224,312 7/1972 Webb et al. D24/10
- D. 224,709 9/1972 Coolidge et al. D24/10
- D. 267,745 1/1983 Seeley D24/10

Primary Examiner—Catherine E. Kemper
Attorney, Agent, or Firm—Barns & Thornburg

[57] CLAIM

The ornamental design for an irradiation device for dental substances, as shown and described.

DESCRIPTION

FIG. 1 is a front elevational view of an irradiation device for dental substances, showing my new design;
 FIG. 2 is a top front perspective view, shown with the cover opened;
 FIG. 3 is a top plan view of the device as shown in FIG. 1;
 FIG. 4 is a left side elevational view thereof;
 FIG. 5 is a right side elevational view thereof;
 FIG. 6 is a rear elevational view thereof;
 FIG. 7 is a bottom plan view thereof.

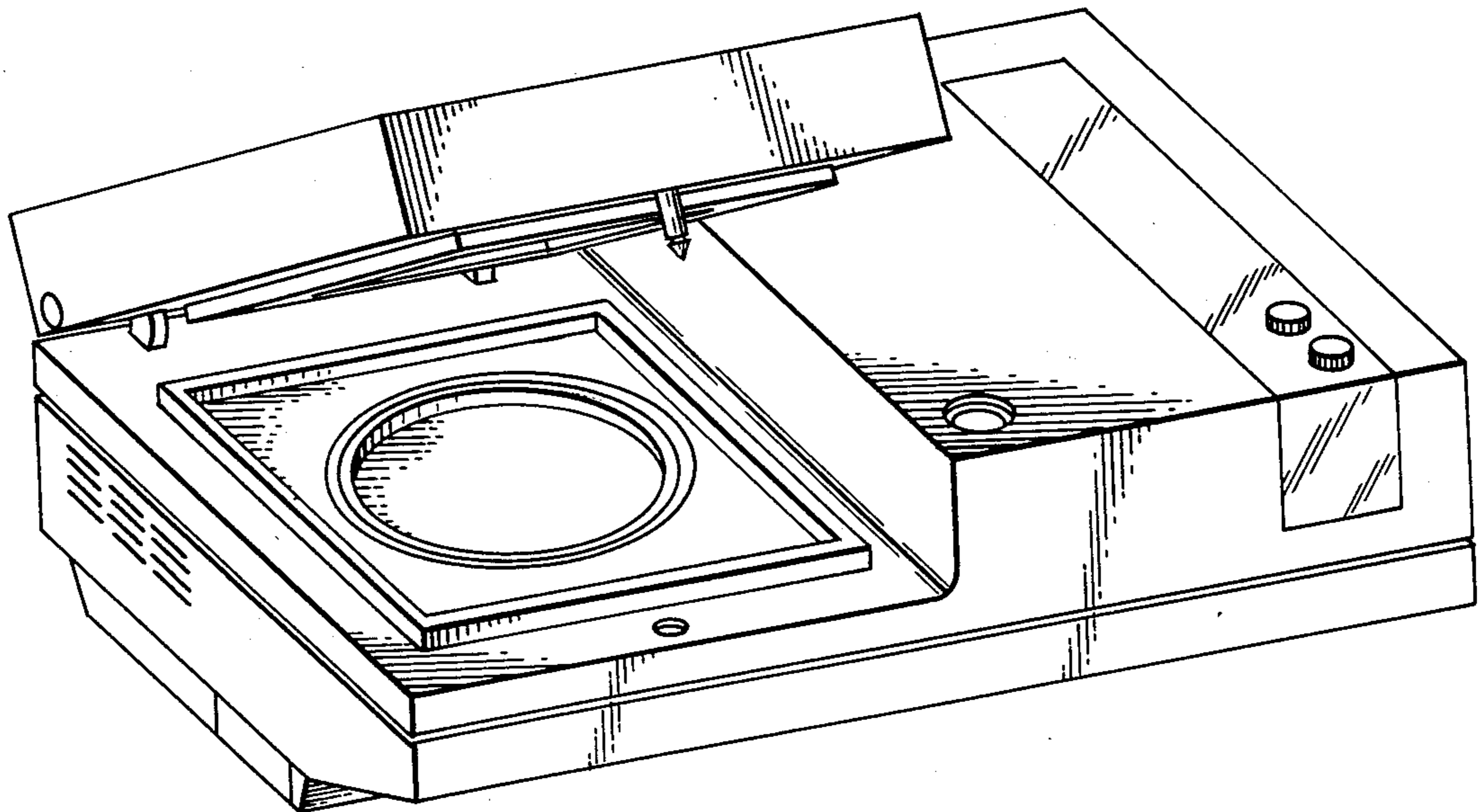


FIG. 1.

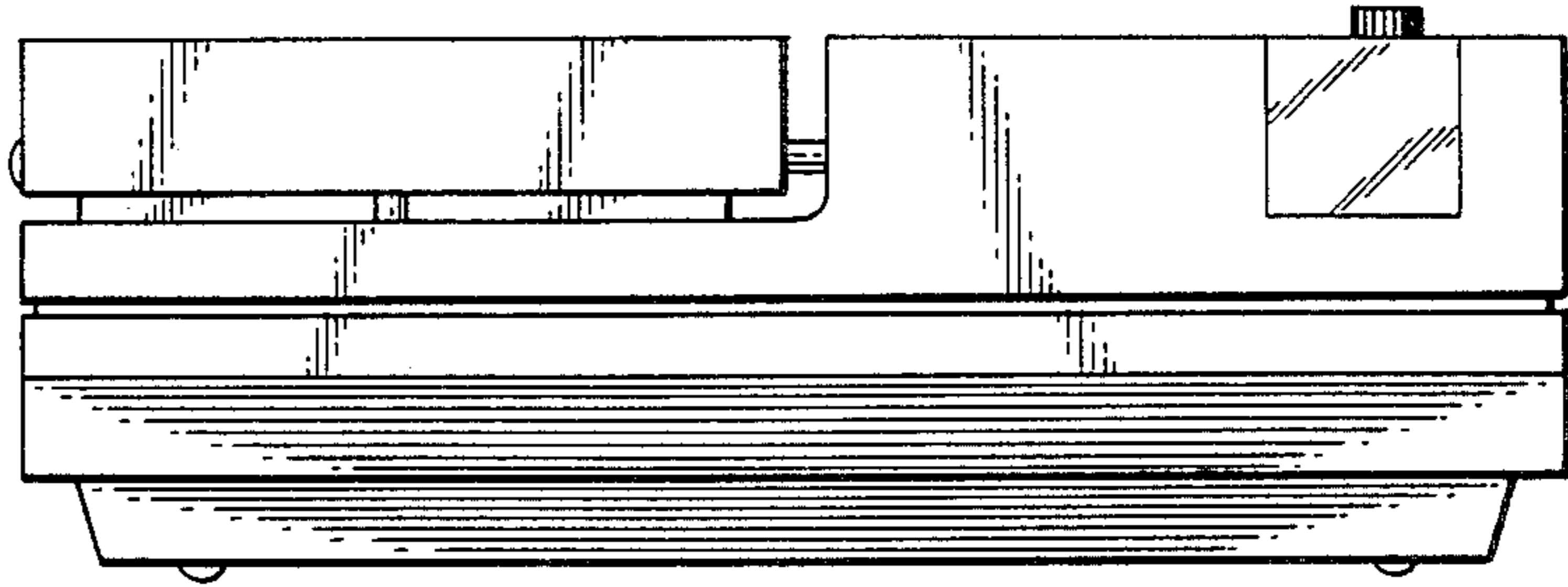


FIG. 2.

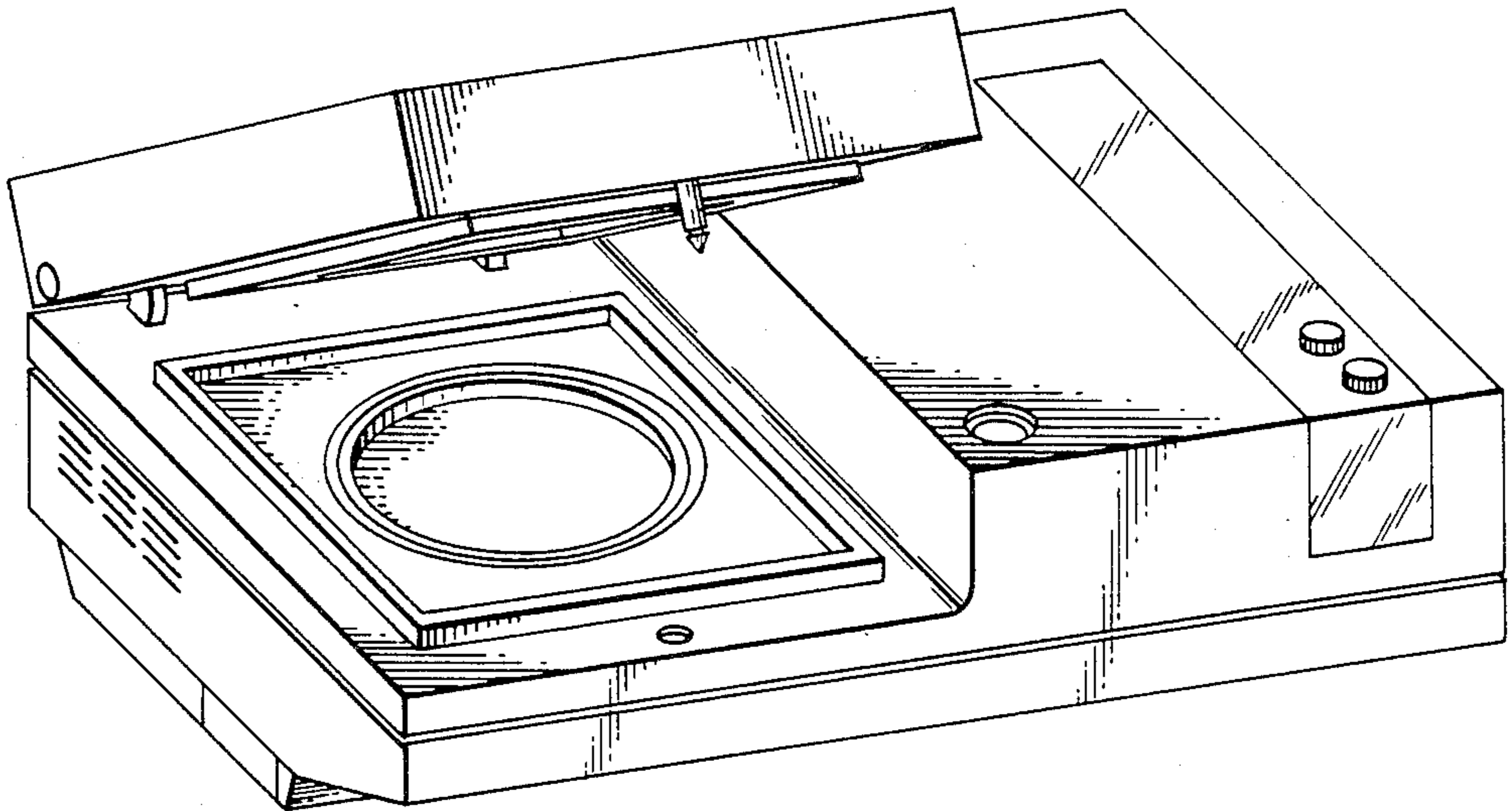


FIG. 3.

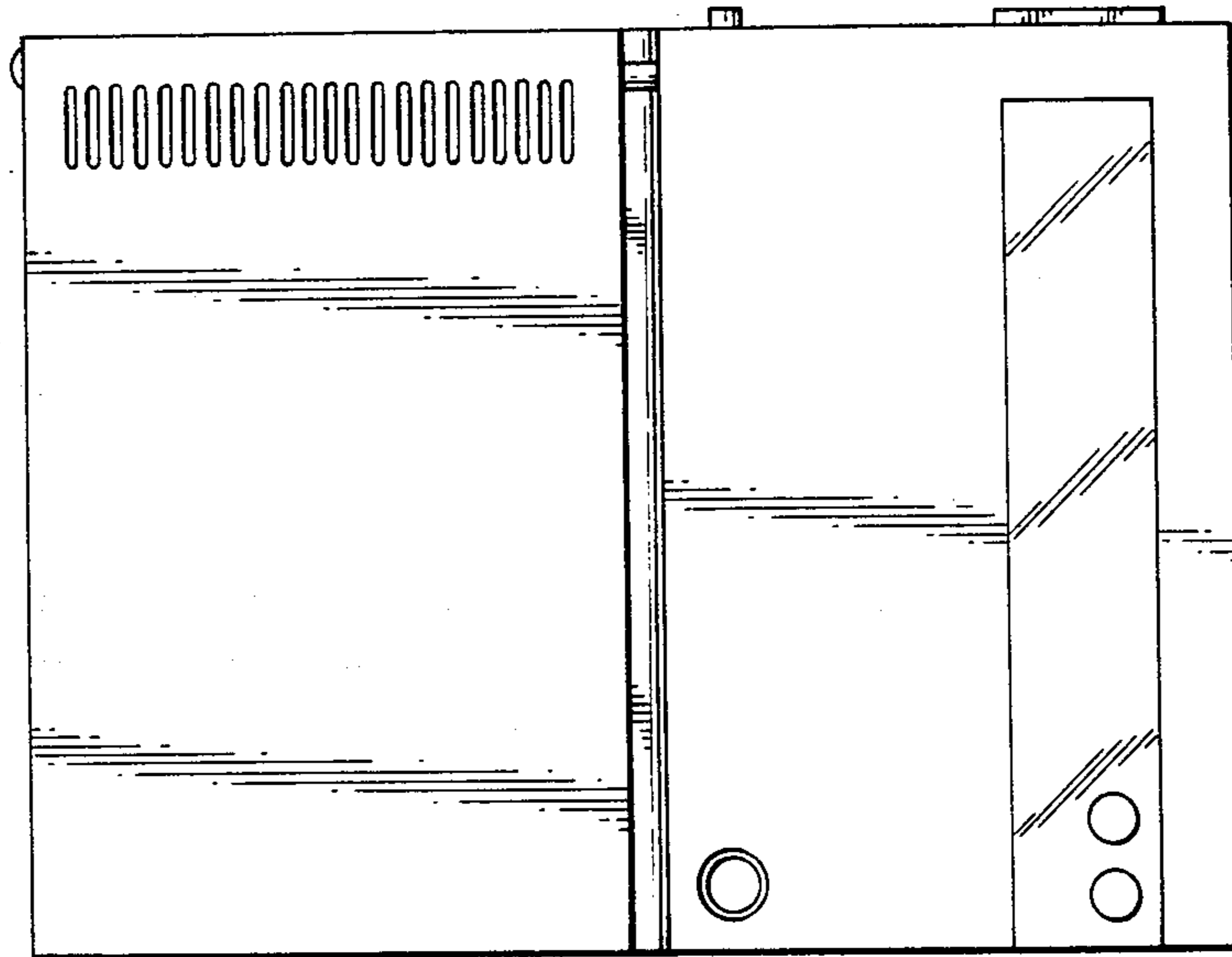


FIG. 4.

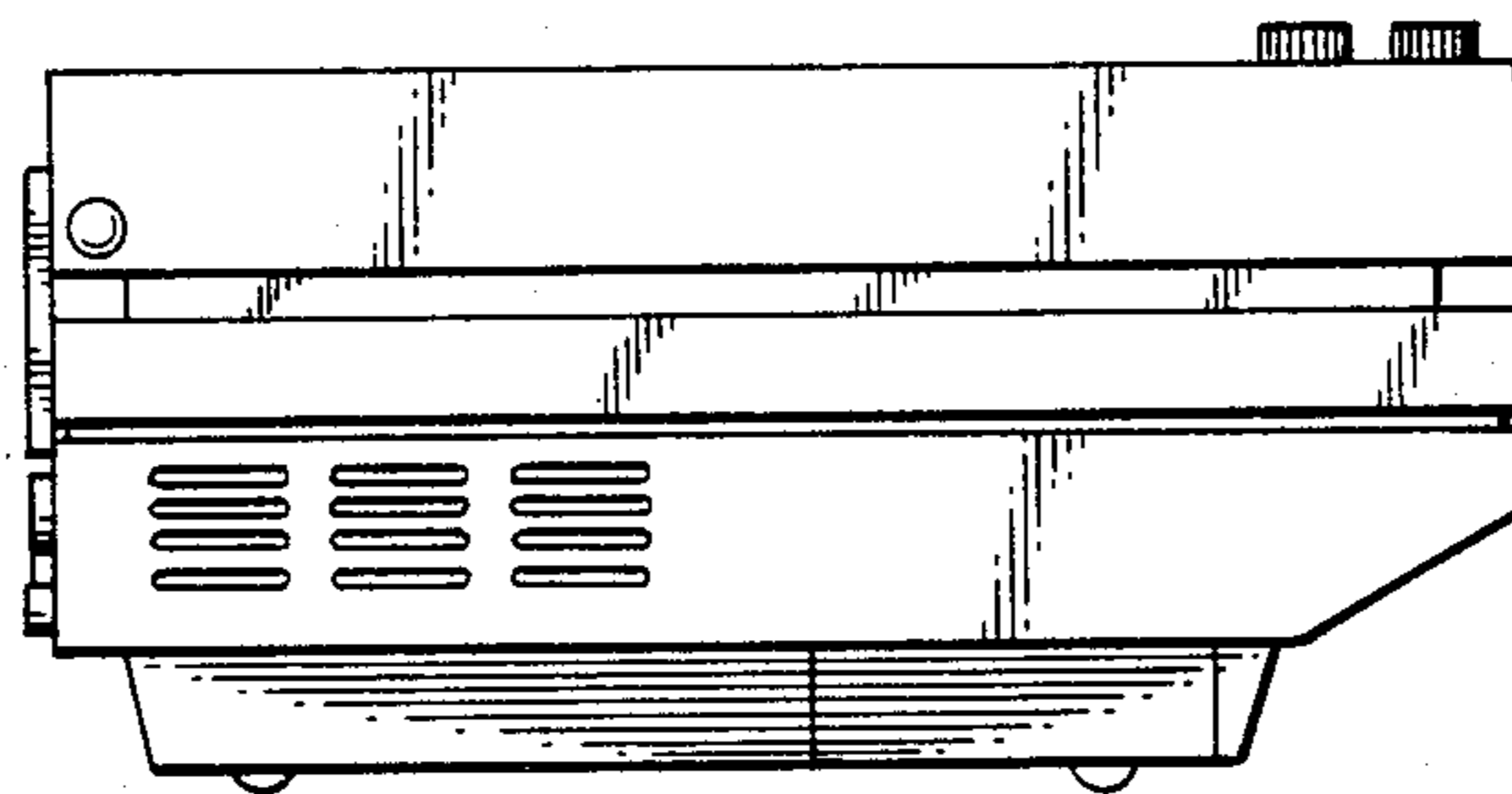


FIG. 5.

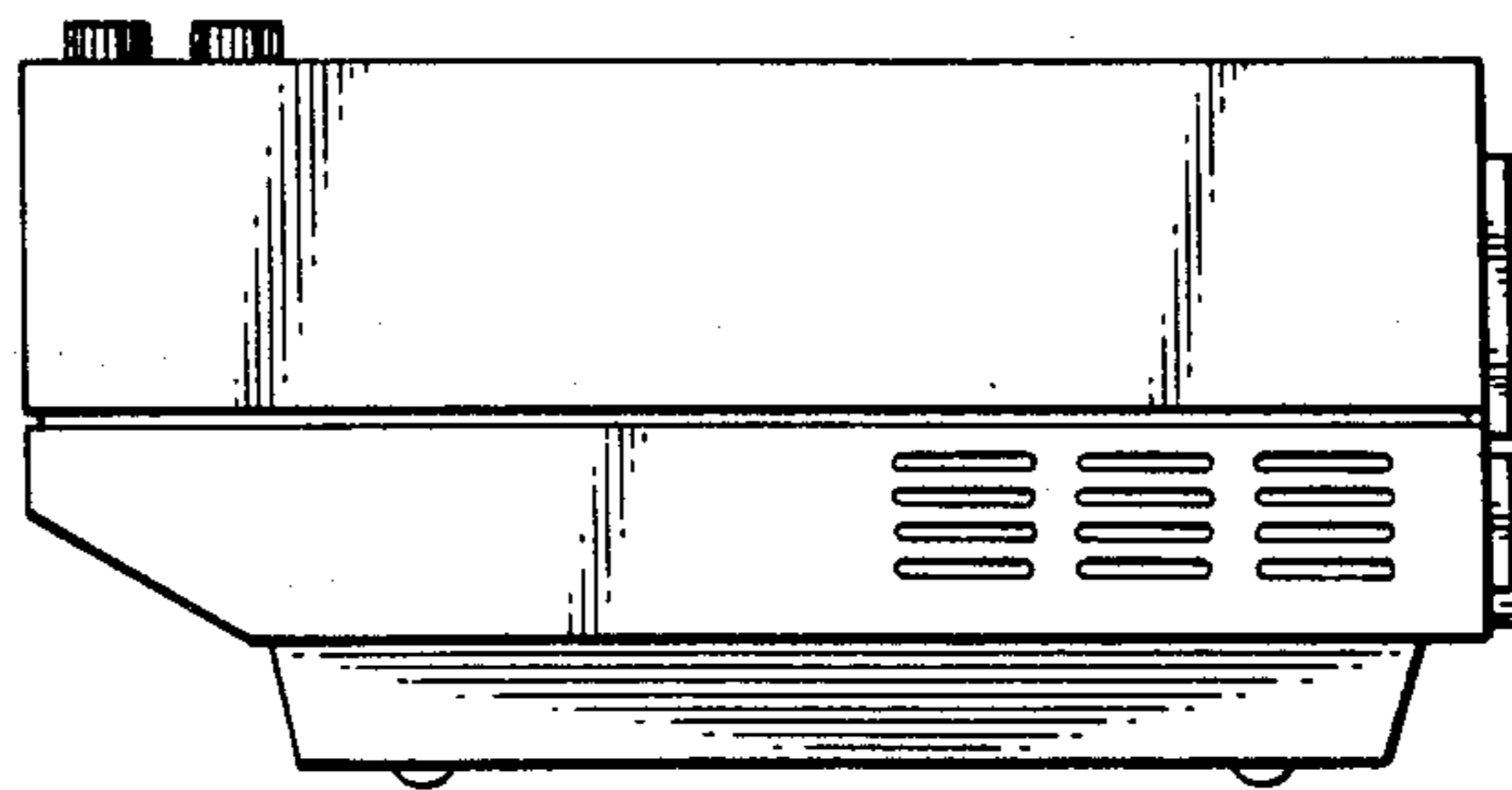


FIG. 6.

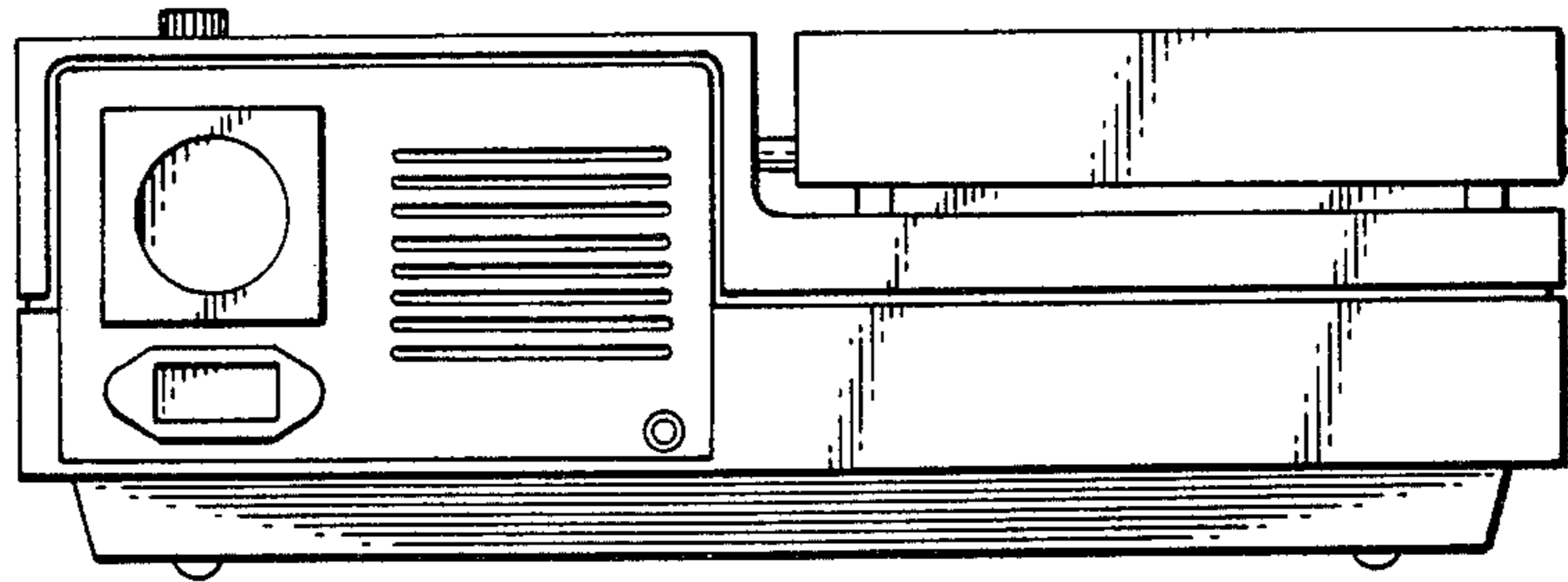


FIG. 7.

