

[54] DEVICE FOR ATTACHING DENTAL BRIDGE TO A TOOTH

[75] Inventor: Walter Wermuth, Bassecourt, Switzerland

[73] Assignee: Cendres et Metaux S.A., Switzerland

[**] Term: 14 Years

[21] Appl. No.: 378,326

[22] Filed: Jun. 14, 1982

[30] Foreign Application Priority Data

Nov. 17, 1981 [WO] World Intel. Prop. Org... DMA/000094

[52] U.S. Cl. D24/10; D24/16; D24/99

[58] Field of Search 433/167, 172, 173, 177, 433/181, 182, 191, 193-195; D24/10, 16, 33, 99

[56] References Cited

U.S. PATENT DOCUMENTS

1,297,199	3/1919	McAuley	433/181
1,449,631	3/1923	Sterer	433/181
2,078,647	4/1937	Wahlberg	433/177
2,295,201	9/1942	Chayes	433/181 X
2,545,316	3/1951	Stark et al.	433/177

2,803,060	8/1957	Weiss	433/177
3,613,244	10/1971	Flecher	433/172
4,362,509	12/1982	Sule	433/181

FOREIGN PATENT DOCUMENTS

1928150	4/1979	Fed. Rep. of Germany	433/172
513785	2/1955	Italy	433/172
638423	4/1962	Italy	433/172
618871	8/1980	Switzerland	433/172

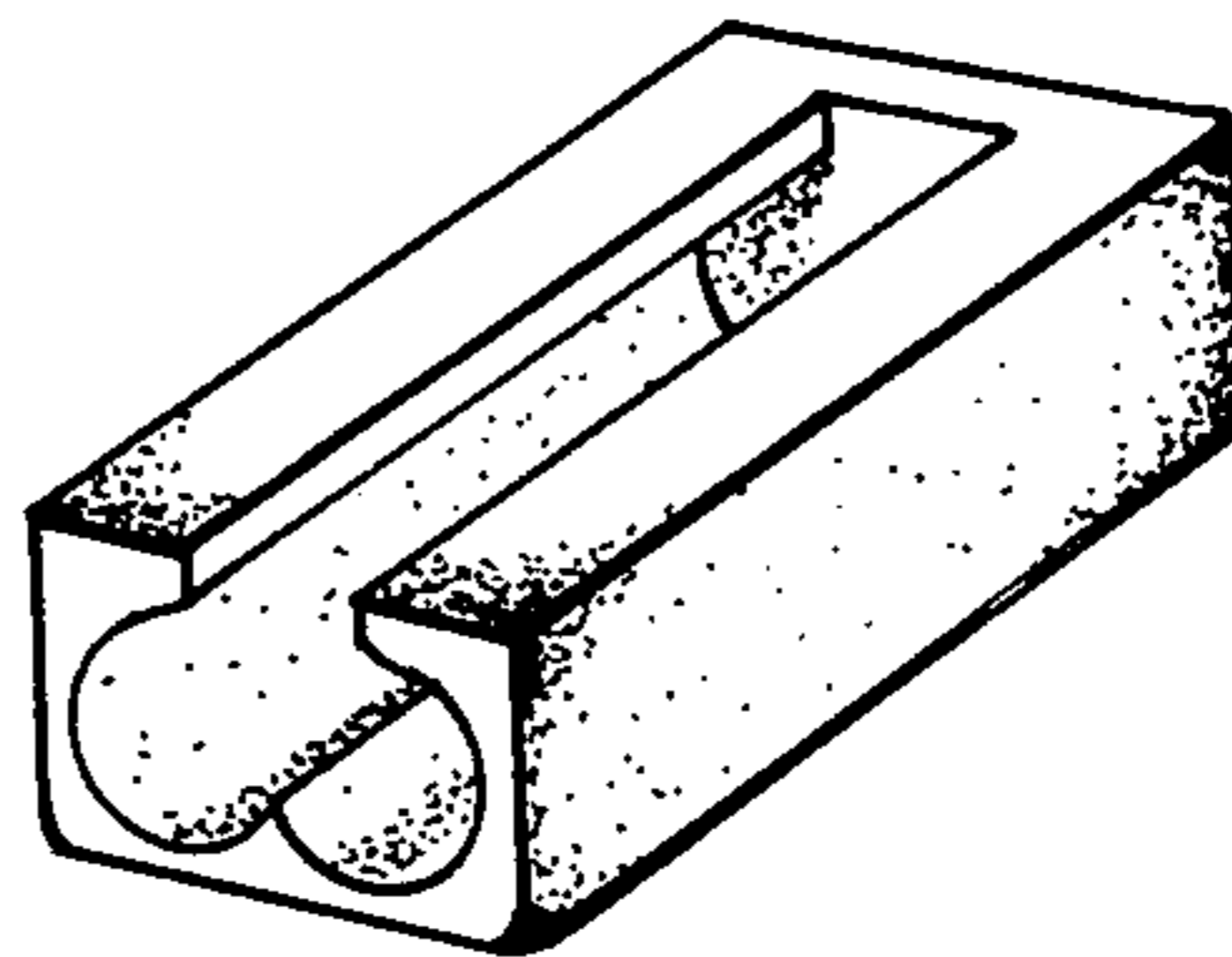
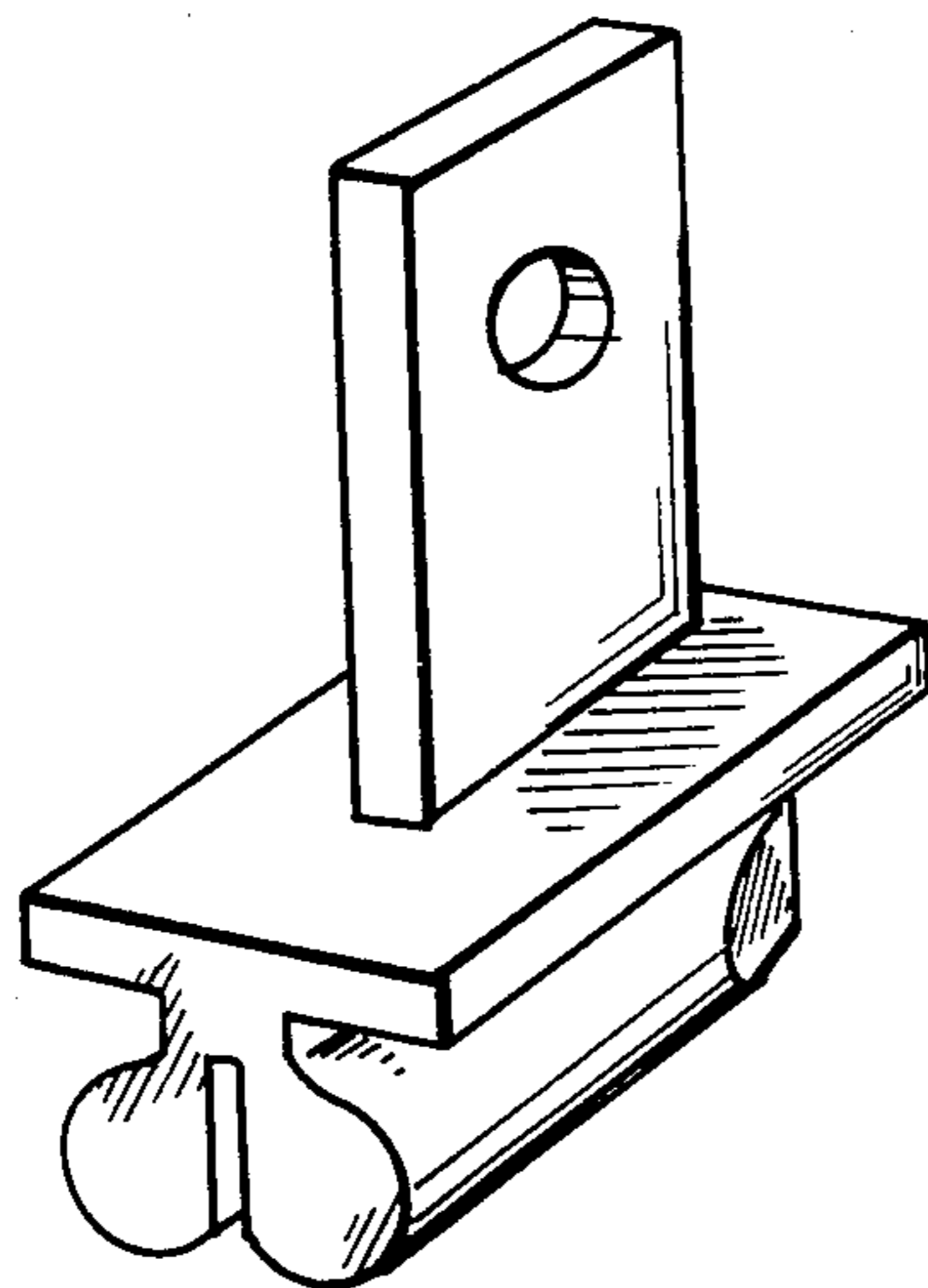
Primary Examiner—Catherine E. Kemper
Attorney, Agent, or Firm—McGlew and Tuttle

[57] CLAIM

The ornamental design for a device for attaching dental bridge to a tooth, substantially as shown and described.

DESCRIPTION

FIG. 1 is an exploded perspective view of a device for attaching dental bridge to a tooth, showing my new design;
 FIG. 2 is a side elevational view thereof;
 FIG. 3 is a front elevational view thereof;
 FIG. 4 is a side elevational view of the device shown with the two parts engaged;
 FIG. 5 is a front elevational view of the device shown with the two parts engaged;
 FIG. 6 is a bottom plan view of the device as shown in FIG. 1.



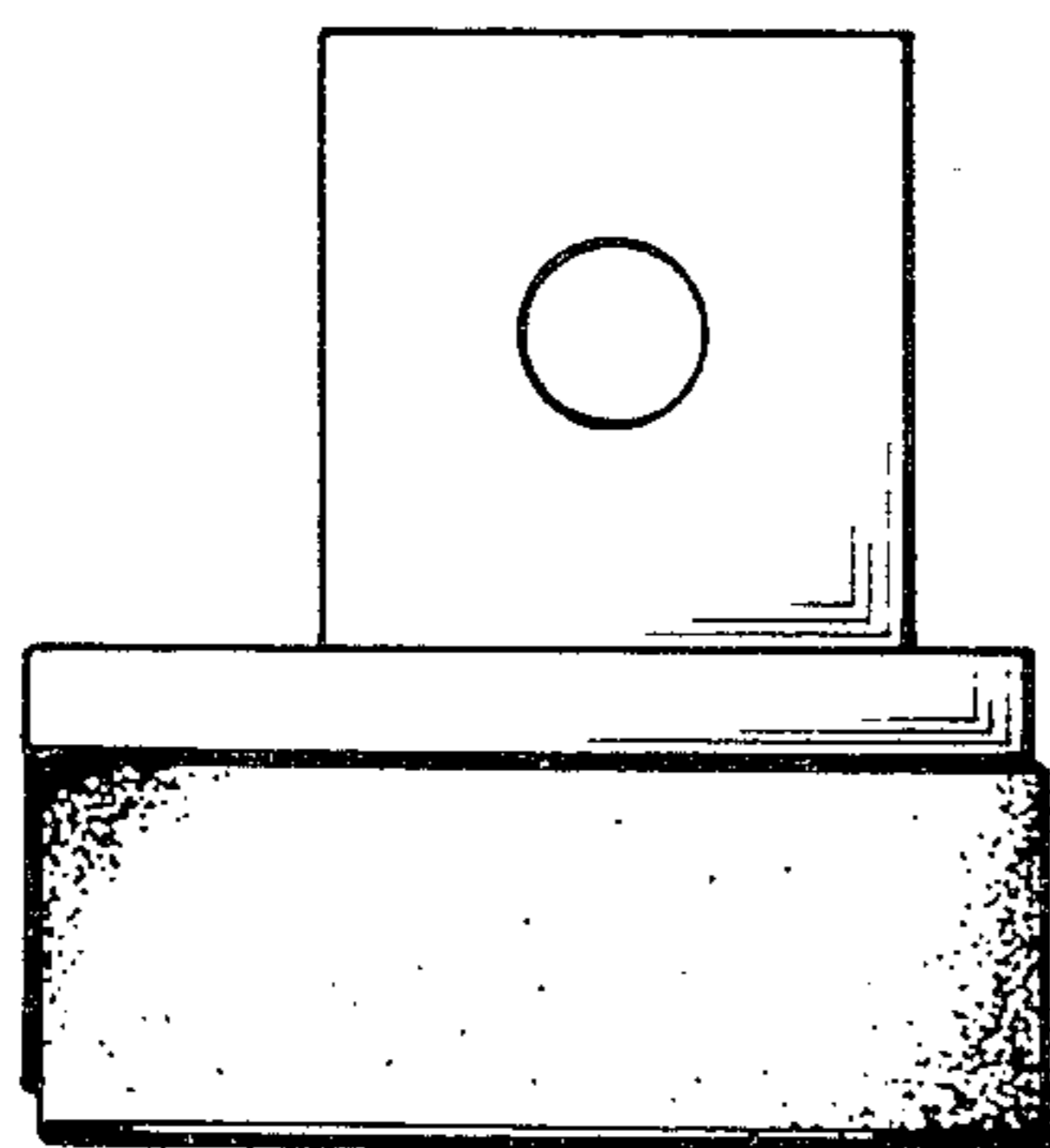
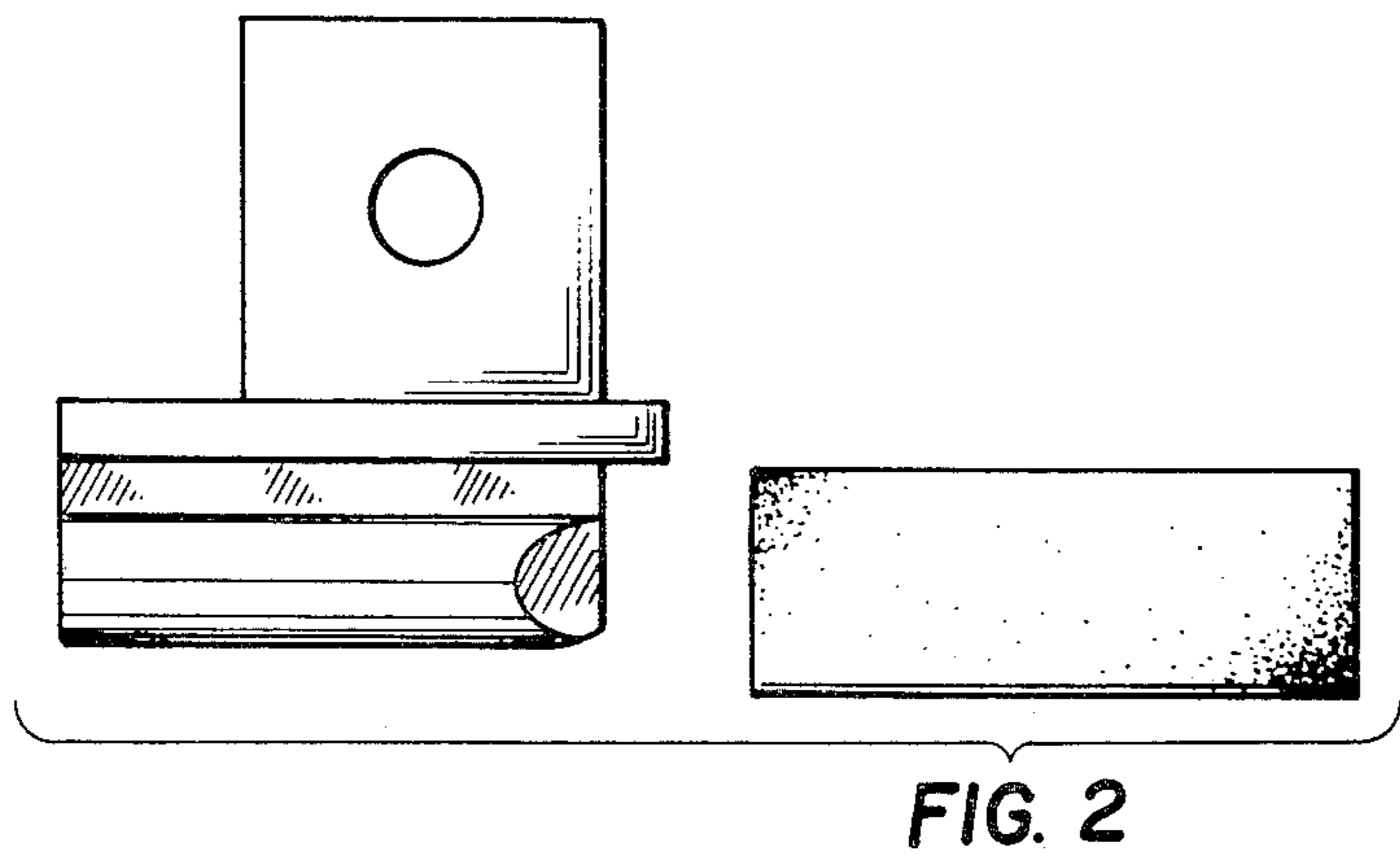
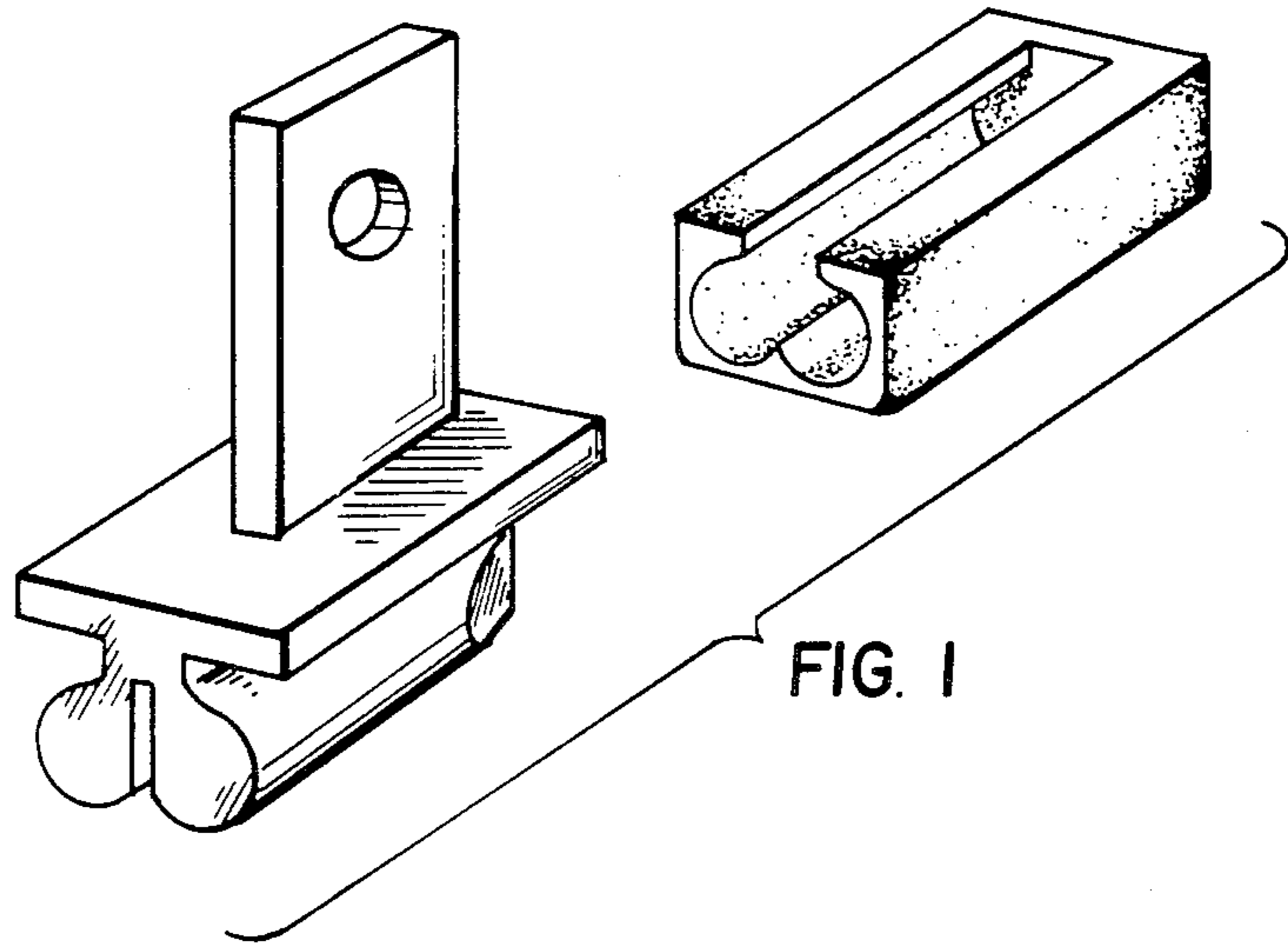


FIG. 4

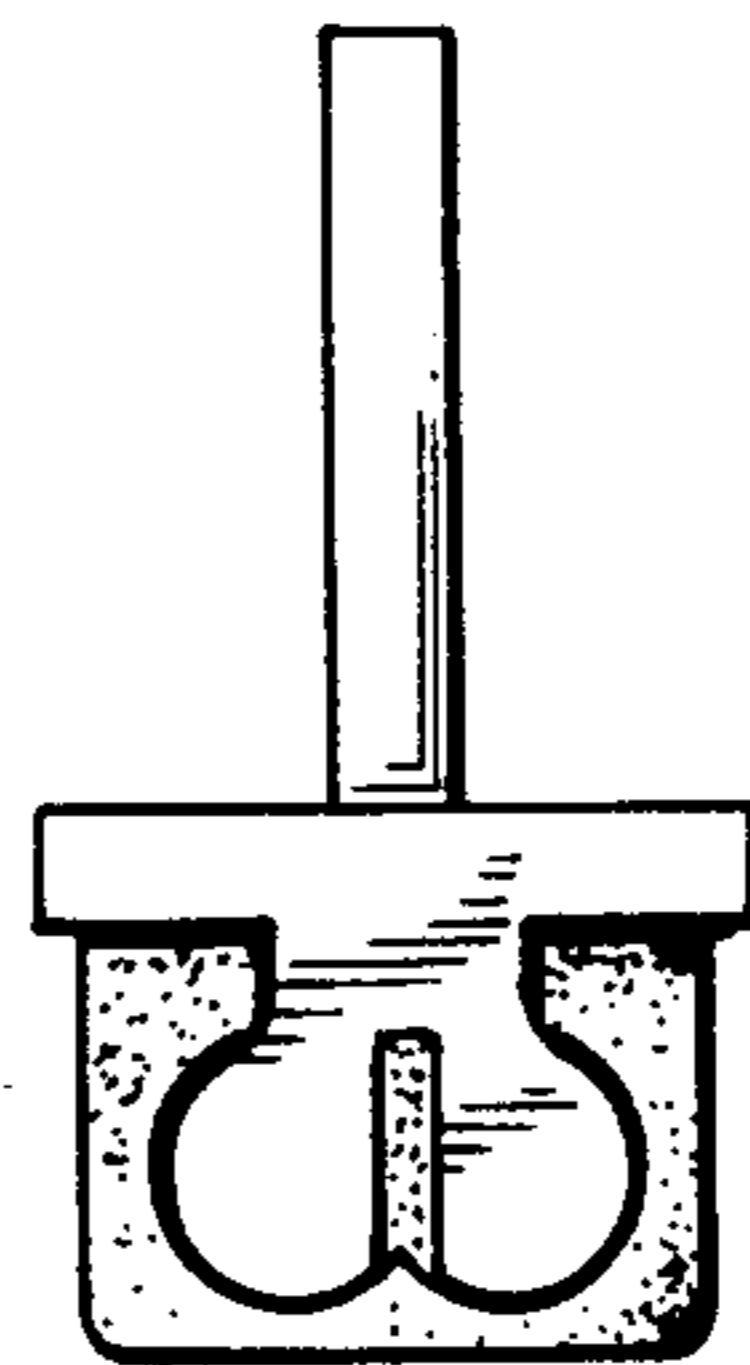
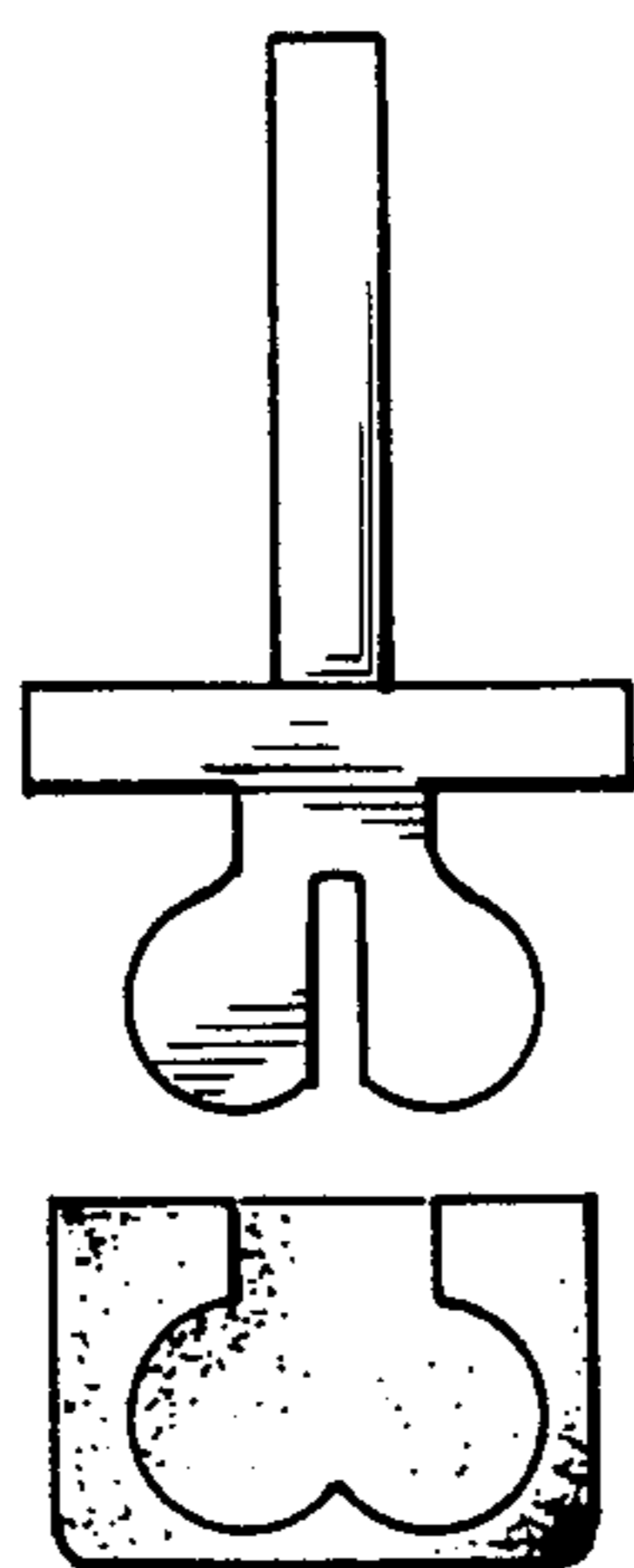


FIG. 6

