

[54] **LAWN SPRINKLER**

[75] Inventor: **Ronald G. Hayes, Batavia, Ohio**

[73] Assignee: **L. R. Nelson Corporation, Peoria, Ill.**

[**] Term: **14 Years**

[21] Appl. No.: **602,490**

[22] Filed: **Apr. 20, 1984**

[52] U.S. Cl. **D23/8**

[58] Field of Search **D23/6-10;**
239/69, 239, 240, 242, 263, 537

[56] **References Cited**

U.S. PATENT DOCUMENTS

- D. 186,011 8/1959 Benjamin D23/8
- D. 218,970 10/1970 Mango et al. D23/8
- D. 218,971 10/1970 Mango et al. D23/8
- D. 218,972 10/1970 Mango et al. D23/8
- D. 269,367 6/1983 Maekay et al. D23/8
- 2,921,474 1/1960 Ballard 239/242 X
- 2,945,385 7/1960 Nelson 239/242 X
- 3,055,595 9/1962 Bohn et al. 239/242
- 3,222,655 11/1965 Mattson 239/242
- 3,286,929 11/1966 Henningsen 239/242
- 3,423,024 1/1969 Morawetz 239/242

- 3,559,888 2/1971 Miklos 239/242
- 4,457,471 7/1984 Roman 239/242

FOREIGN PATENT DOCUMENTS

271747 11/1966 Australia .

OTHER PUBLICATIONS

Hardware Age, Mar. 21, 1963, p. 71, Item 6.

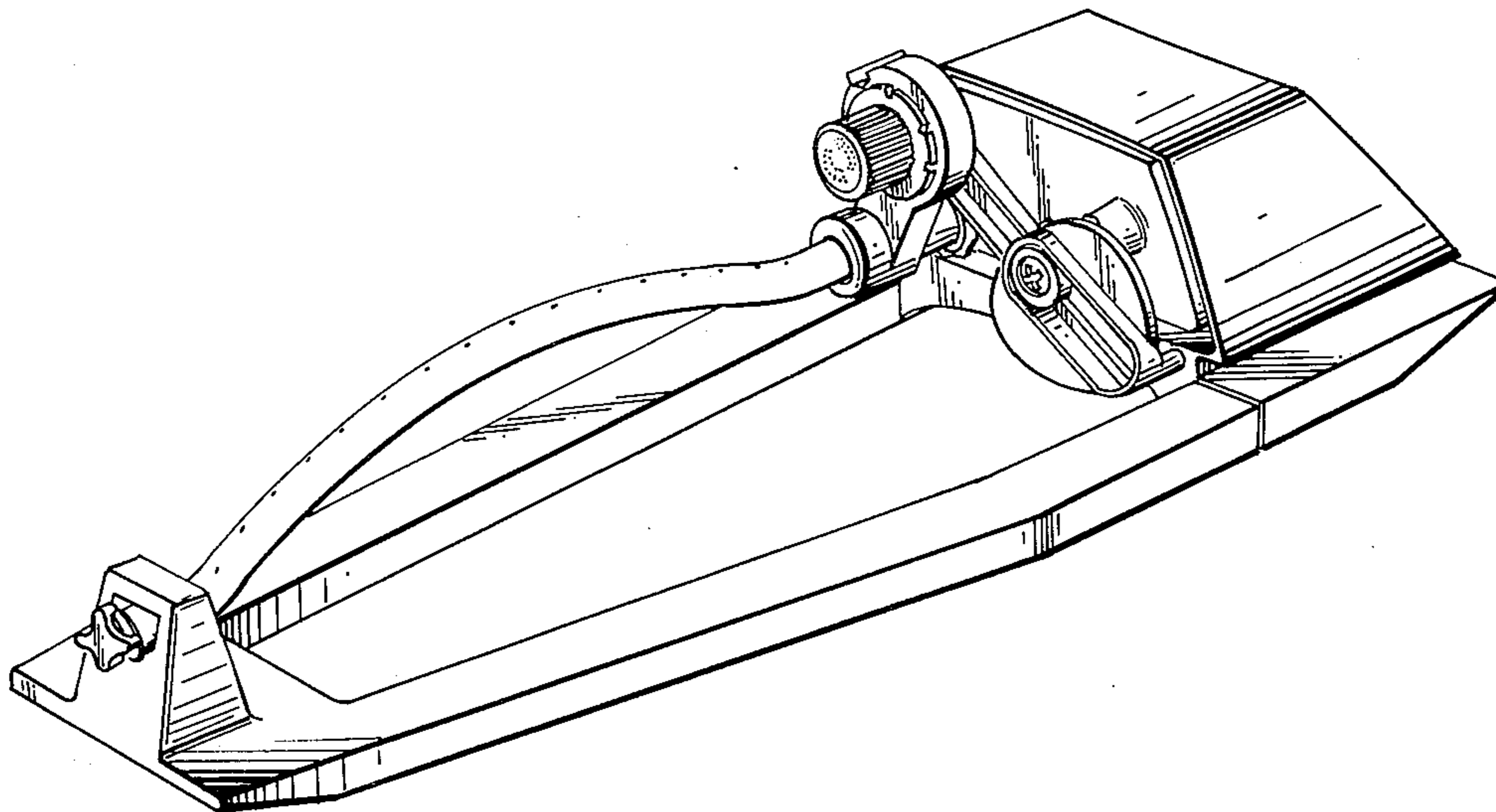
Primary Examiner—James R. Largen
Attorney, Agent, or Firm—Cushman, Darby & Cushman

[57] **CLAIM**

The ornamental design for a lawn sprinkler, as shown and described.

DESCRIPTION

FIG. 1 is a perspective view of a lawn sprinkler showing my new design;
 FIG. 2 is a top plan view thereof;
 FIG. 3 is a right side elevational view thereof;
 FIG. 4 is a bottom plan view thereof;
 FIG. 5 is a rear elevational view thereof; and
 FIG. 6 is a front elevational view thereof.
 The broken line representation of indicia in FIGS. 1 and 6 are for illustration only.



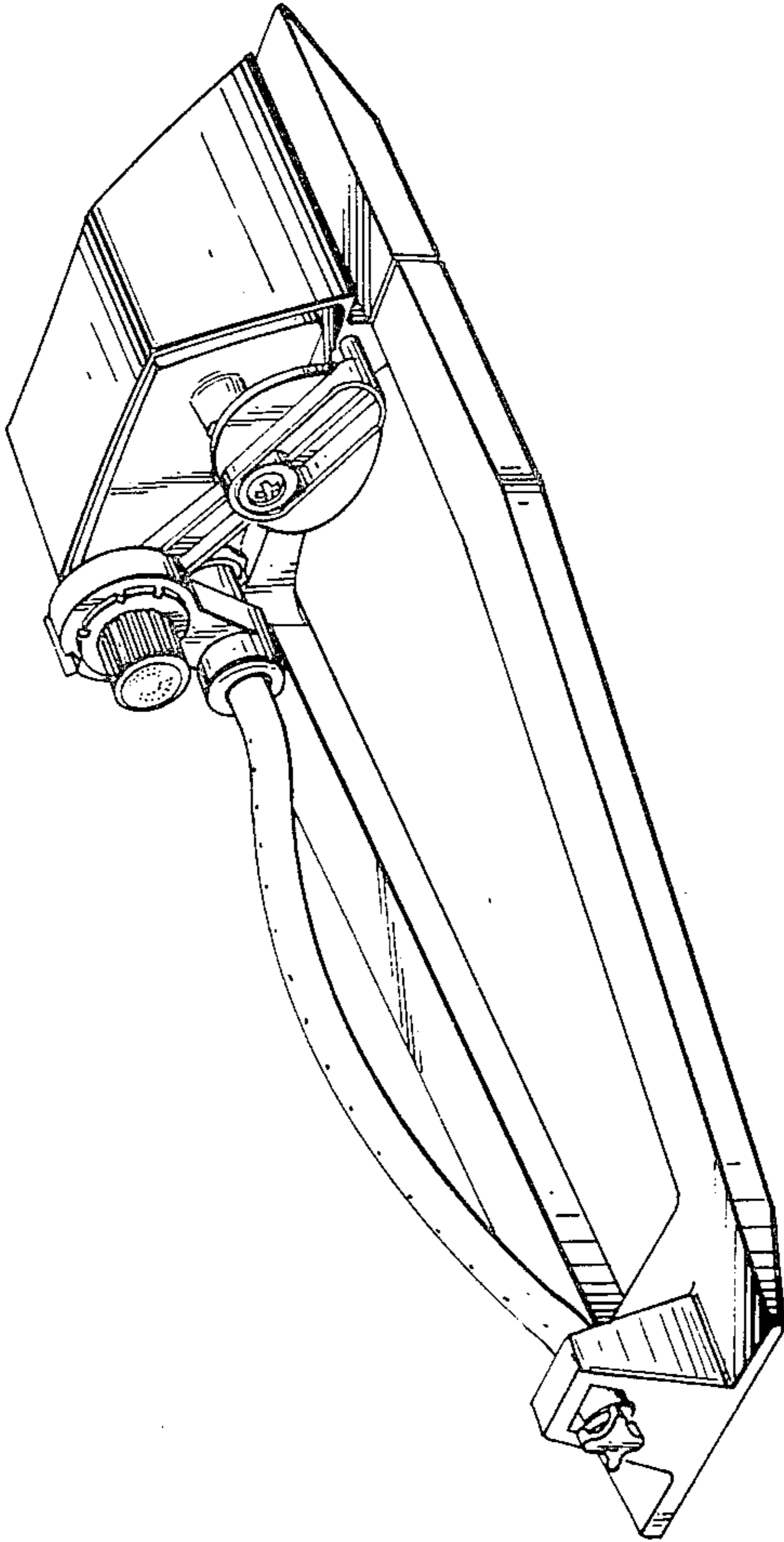


Fig. 1

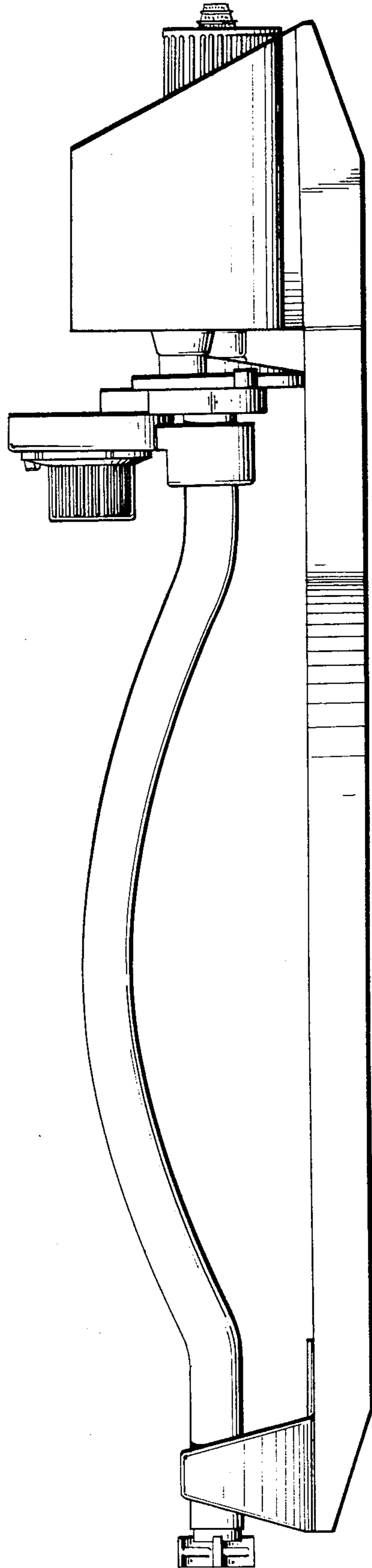
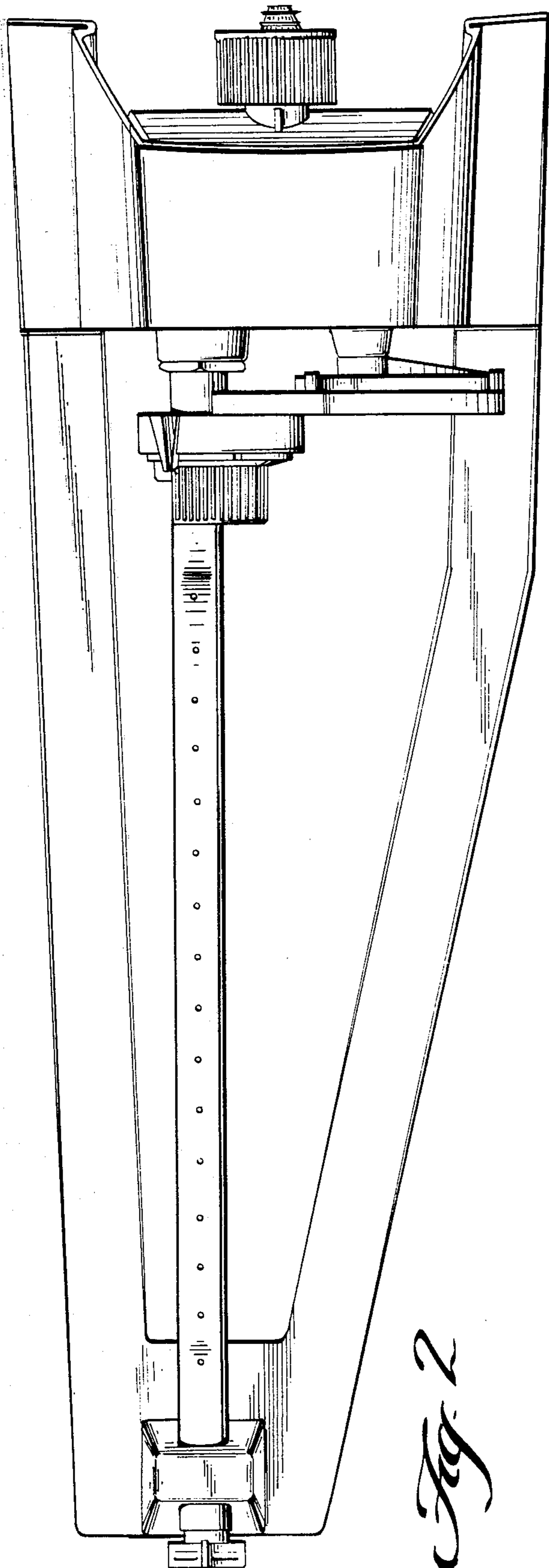


Fig. 3

