

[54] **PISTOL MACHINE GUN OR THE LIKE**

[76] **Inventor:** Vito Cellini, 3115 Old Ranch Rd.,
San Antonio, Tex. 78217

[**] **Term:** 14 Years

[21] **Appl. No.:** 460,478

[22] **Filed:** Apr. 25, 1983

[52] **U.S. Cl.** D22/6; D22/1

[58] **Field of Search** D22/1, 6, 7; 89/5, 9,
89/14.05, 14.1, 14.2, 14.3, 14.4, 125, 128, 195,
33.1

[56] **References Cited**

U.S. PATENT DOCUMENTS

3,651,736 3/1972 Ingram 89/195 X
3,745,878 7/1973 Jampy et al. 89/33.1

OTHER PUBLICATIONS

Jane's Infantry Weapons 1978, p. 86, Mevilo Model
improved HM-3 with stock folded.

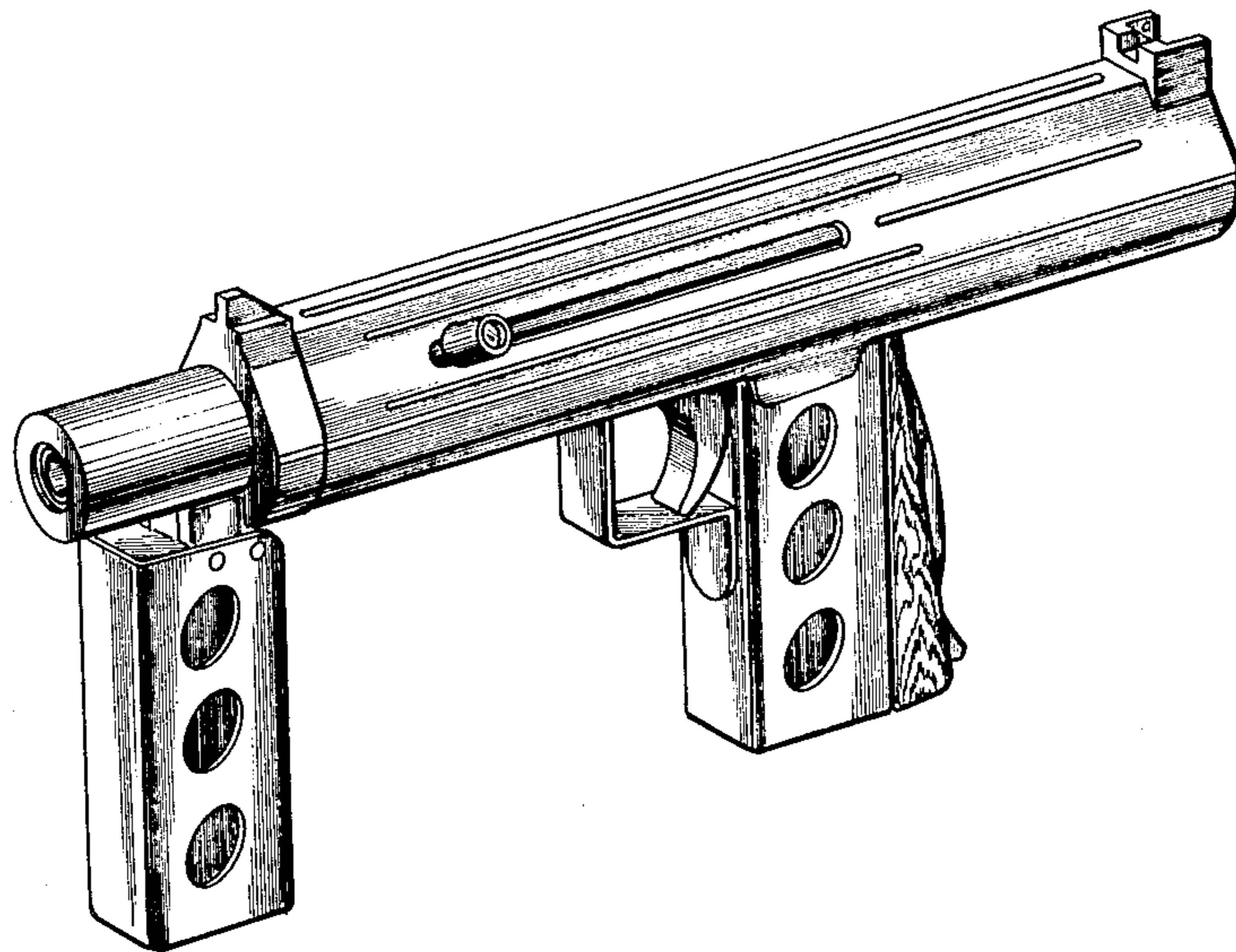
Primary Examiner—A. Hugo Word

[57] **CLAIM**

The ornamental design for a pistol machine gun or the
like, as shown.

DESCRIPTION

FIG. 1 is a perspective view of a pistol machine gun or
the like, showing my new design;
FIG. 2 is a front view thereof;
FIG. 3 is a side view thereof;
FIG. 4 is a rear view thereof;
FIG. 5 is a top plan view thereof;
FIG. 6 is an opposite side view thereof; and,
FIG. 7 is a bottom plan view thereof.



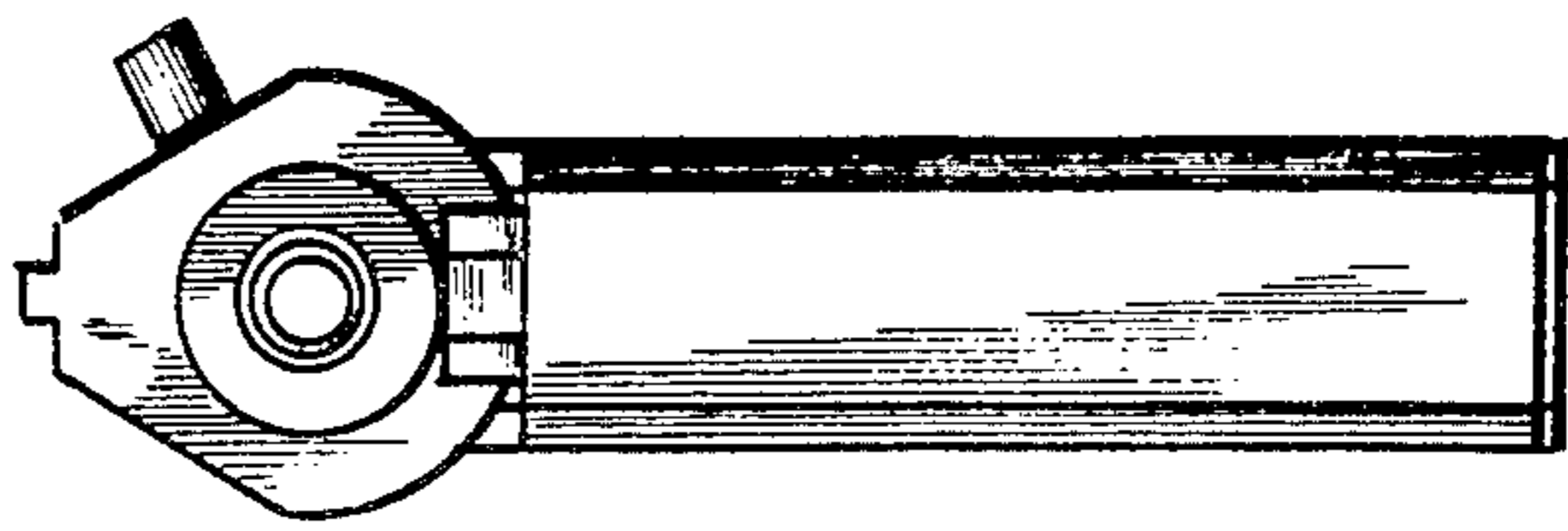


Fig. 2.

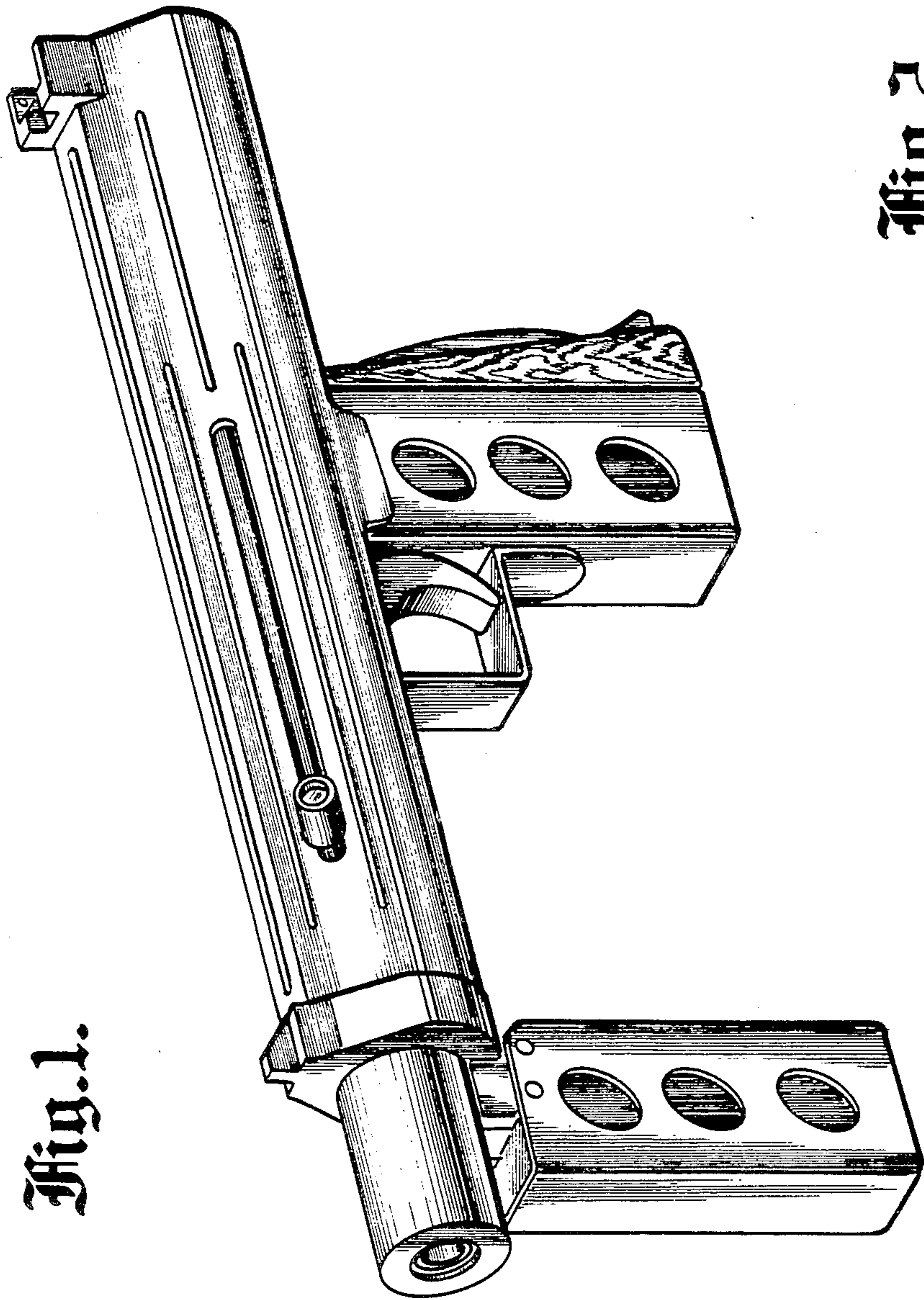


Fig. 1.

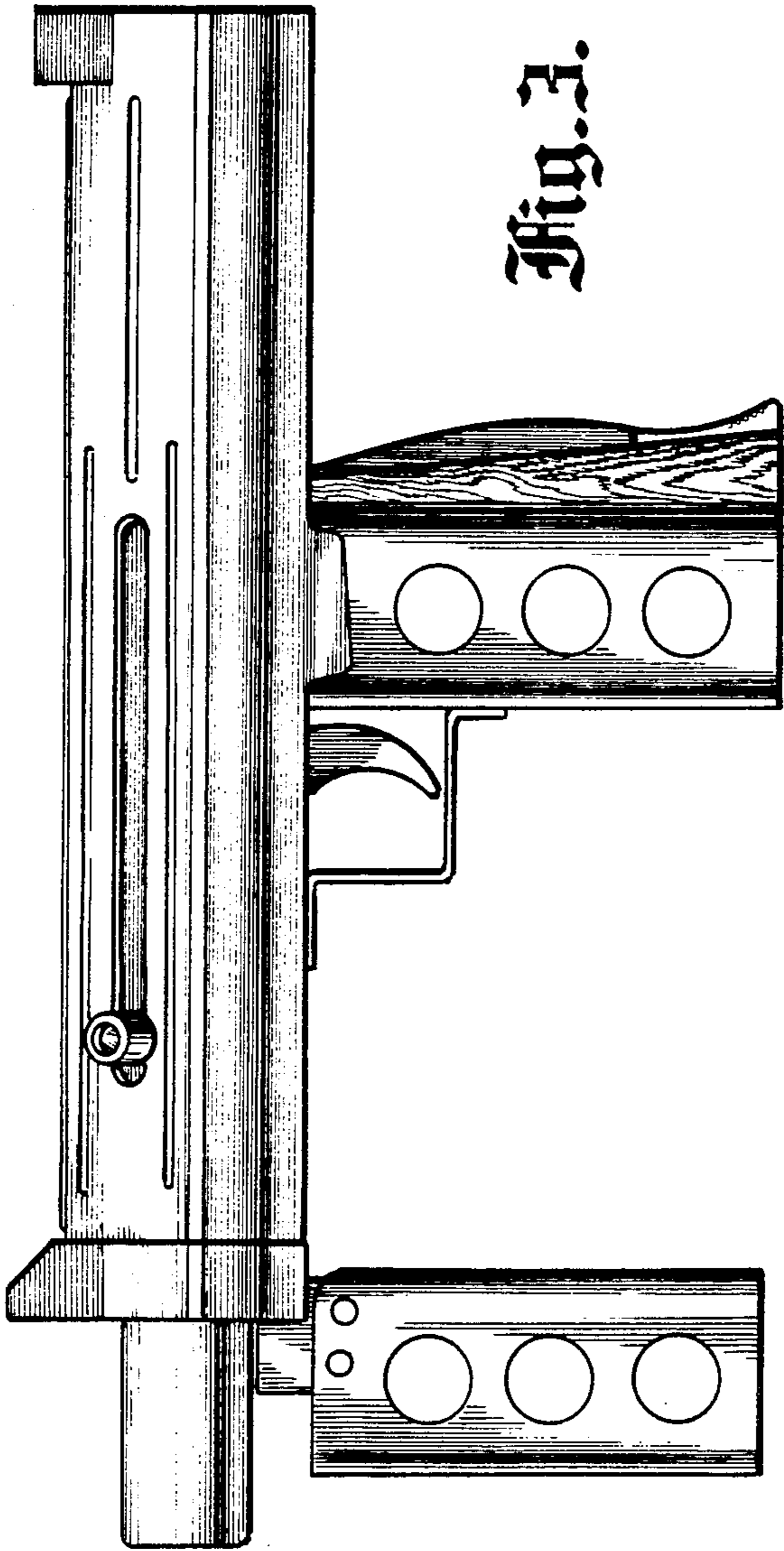


Fig. 3.

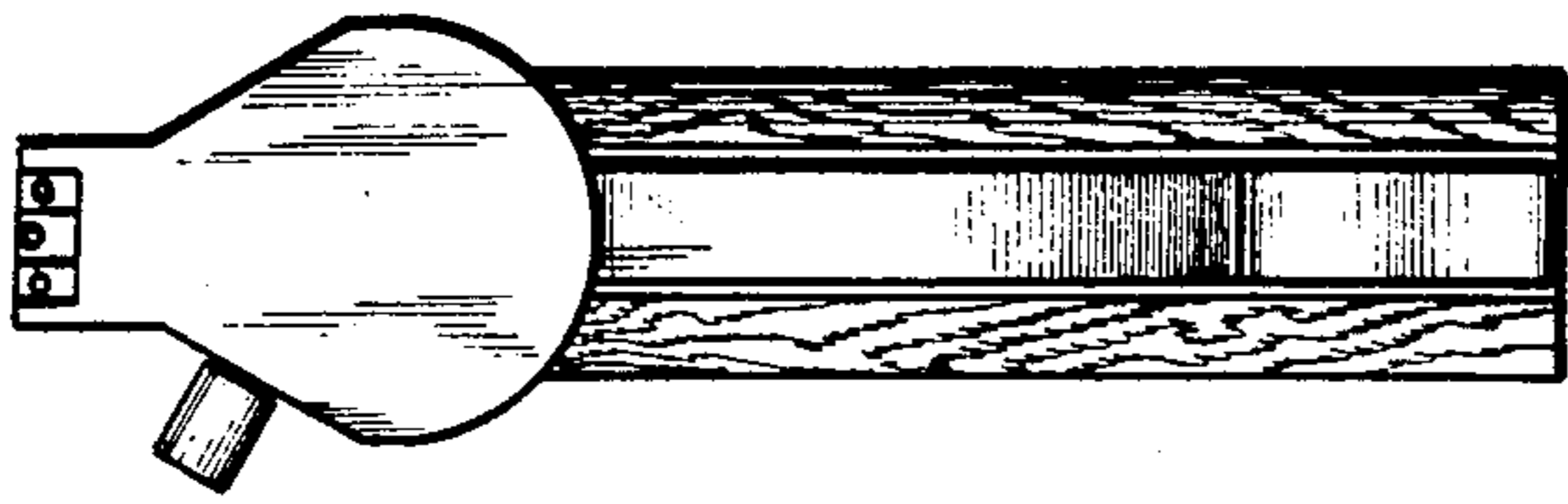


Fig. 4.



Fig. 5.

Fig. 6.

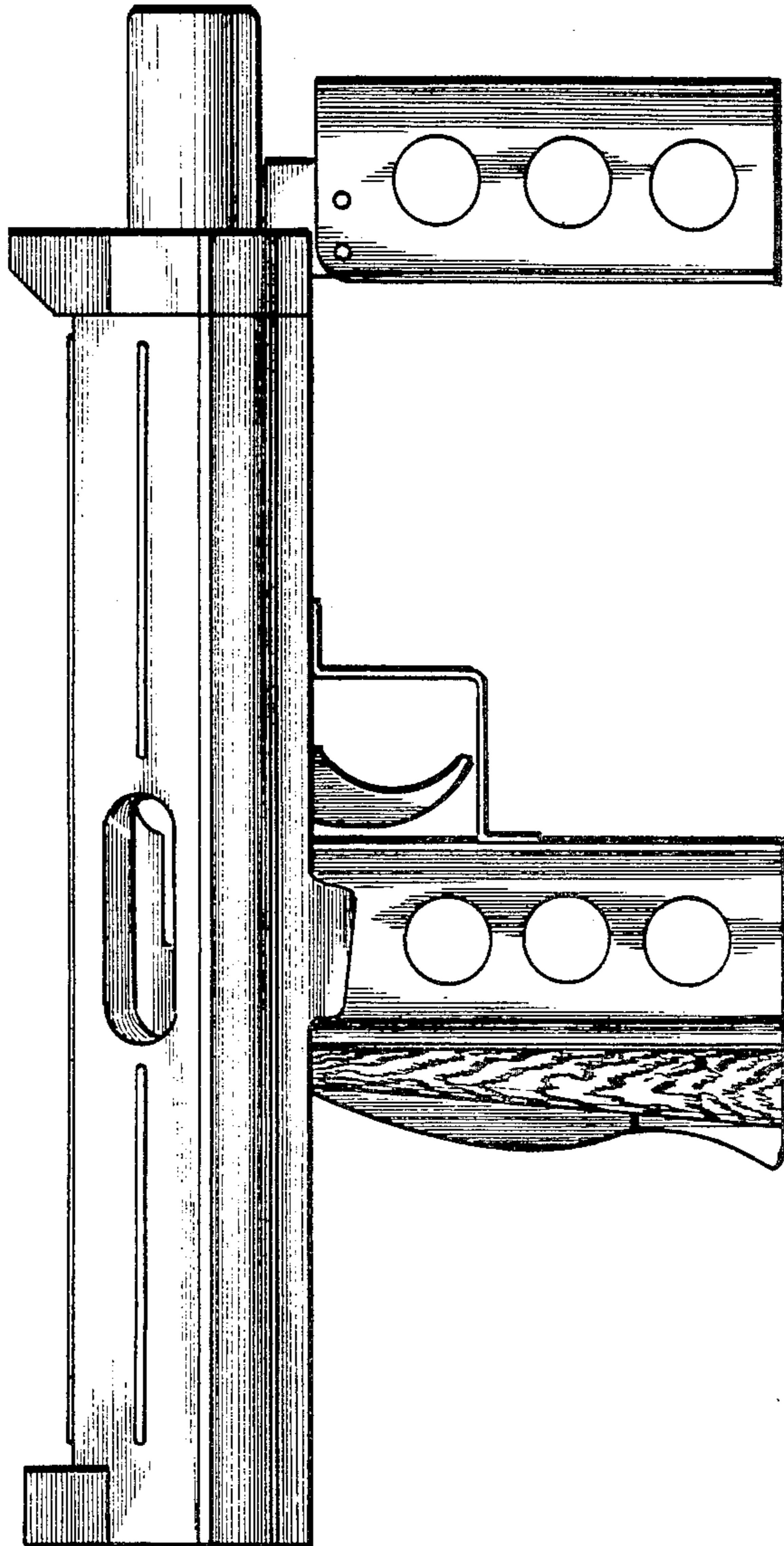


Fig. 7.

