

[54] TOY SLIDE OR SIMILAR ARTICLE

[76] Inventors: John W. Spirk, Jr., 50 Stonewood Dr.; John R. Nottingham, 60 Stonewood Dr., both of Moreland Hills, Ohio 44022

[\*\*] Term: 14 Years

[21] Appl. No.: 529,392

[22] Filed: Sep. 6, 1983

[52] U.S. Cl. .... D21/109; D21/244

[58] Field of Search ..... D21/244, 245, 109; 272/113; 446/314

[56] References Cited

U.S. PATENT DOCUMENTS

- D. 202,280 9/1965 Horowitz ..... D21/109
- D. 262,818 1/1982 Works ..... D21/244

OTHER PUBLICATIONS

Sears 1981 Xmas Cat., p. 615, illustration No. 4, Toy Slide at right.

Popular Mechanics, Jun., 1981, p. 130, Slide.

Primary Examiner—Melvin B. Feifer

Attorney, Agent, or Firm—Renner, Otto, Boisselle & Lyon

[57] CLAIM

The ornamental design for a toy slide or similar article, as shown and described.

DESCRIPTION

FIG. 1 is a front perspective view of the toy slide or similar article showing our new design;

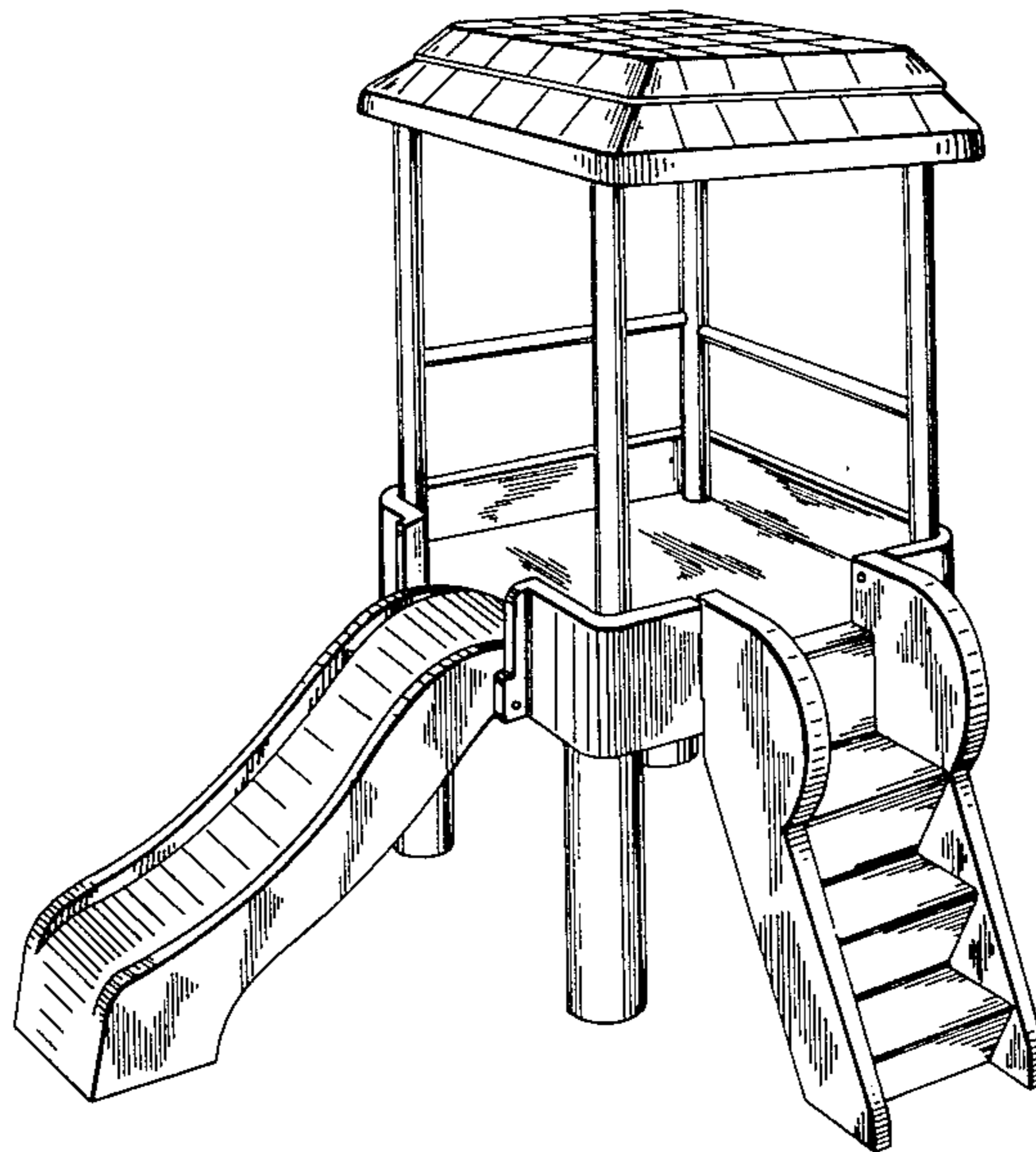
FIG. 2 is another perspective view of the toy slide or similar article, taken from the other side of the slide member, and from a lower elevation than in FIG. 1;

FIG. 3 is another perspective view of the toy slide or similar article, taken from a point that is above the top roof and in front of the slide;

FIG. 4 is another perspective view of the toy slide or similar article, taken from below the article and from the left side of the article;

FIG. 5 is a rear perspective view of the toy slide or similar article; and

FIG. 6 is an enlarged fragmentary, three-dimensional view of a corner of the top roof of the toy slide or similar article, showing the manner in which the appearance of shingles is provided.



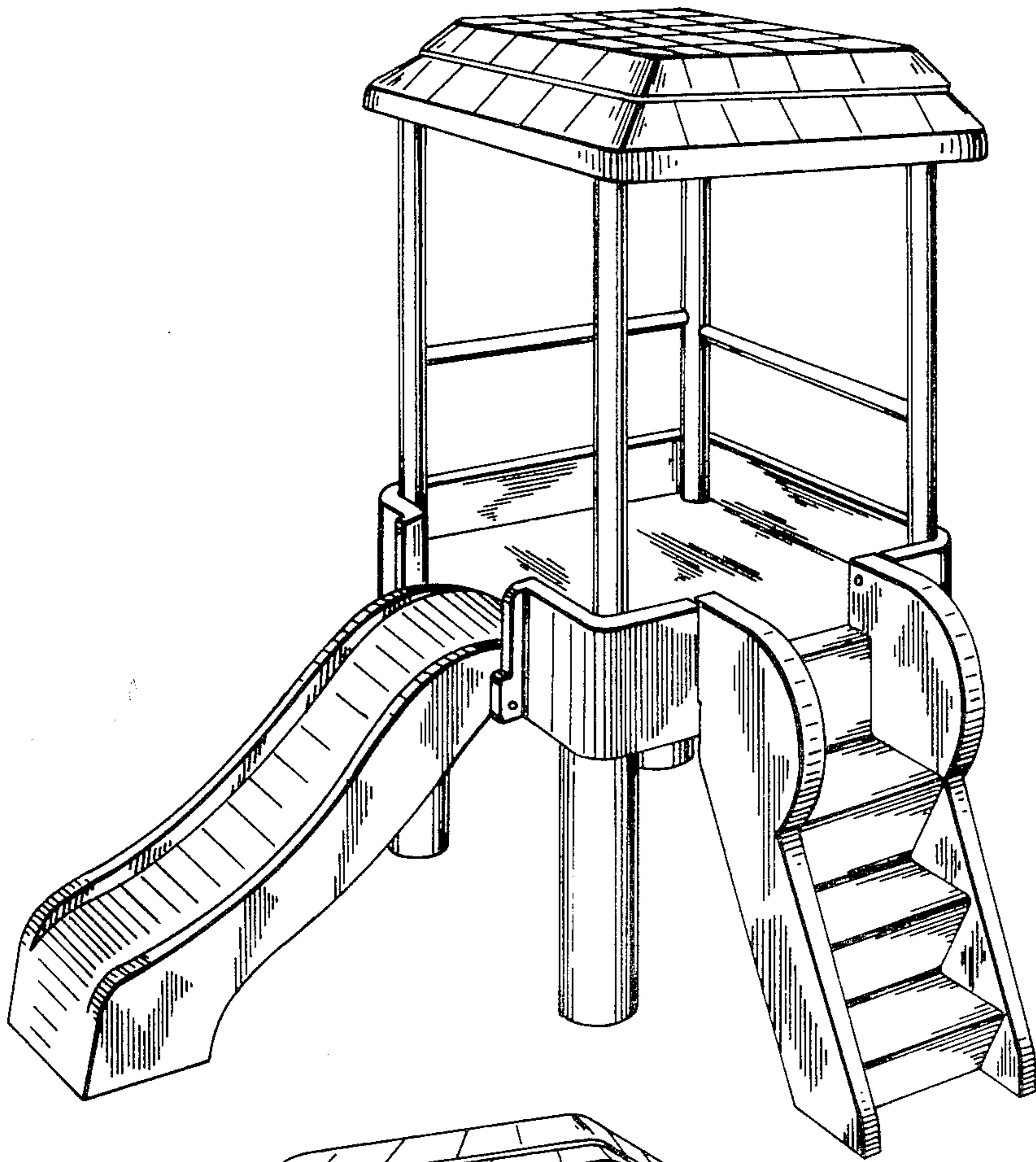


FIG. 1

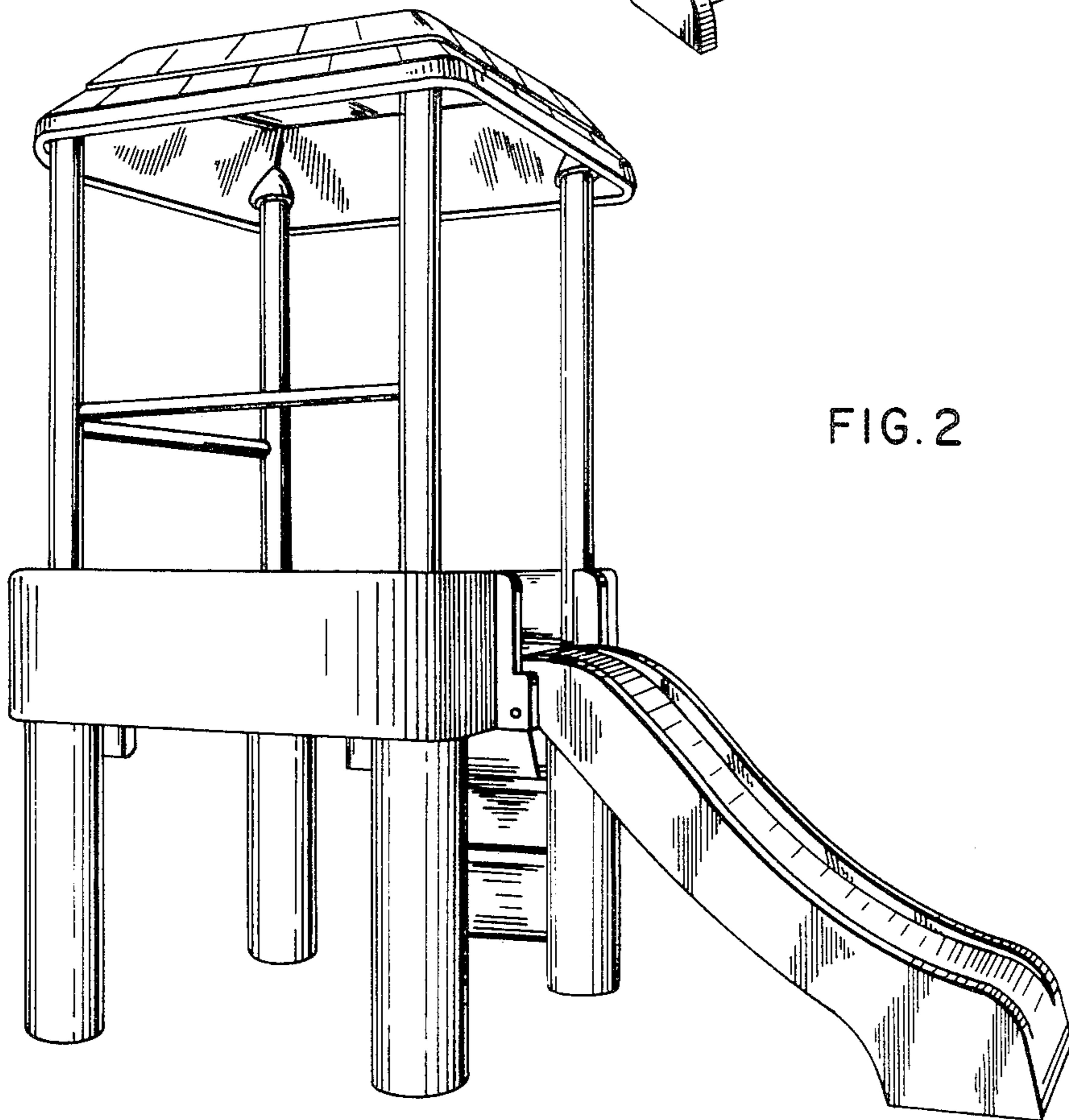


FIG. 2

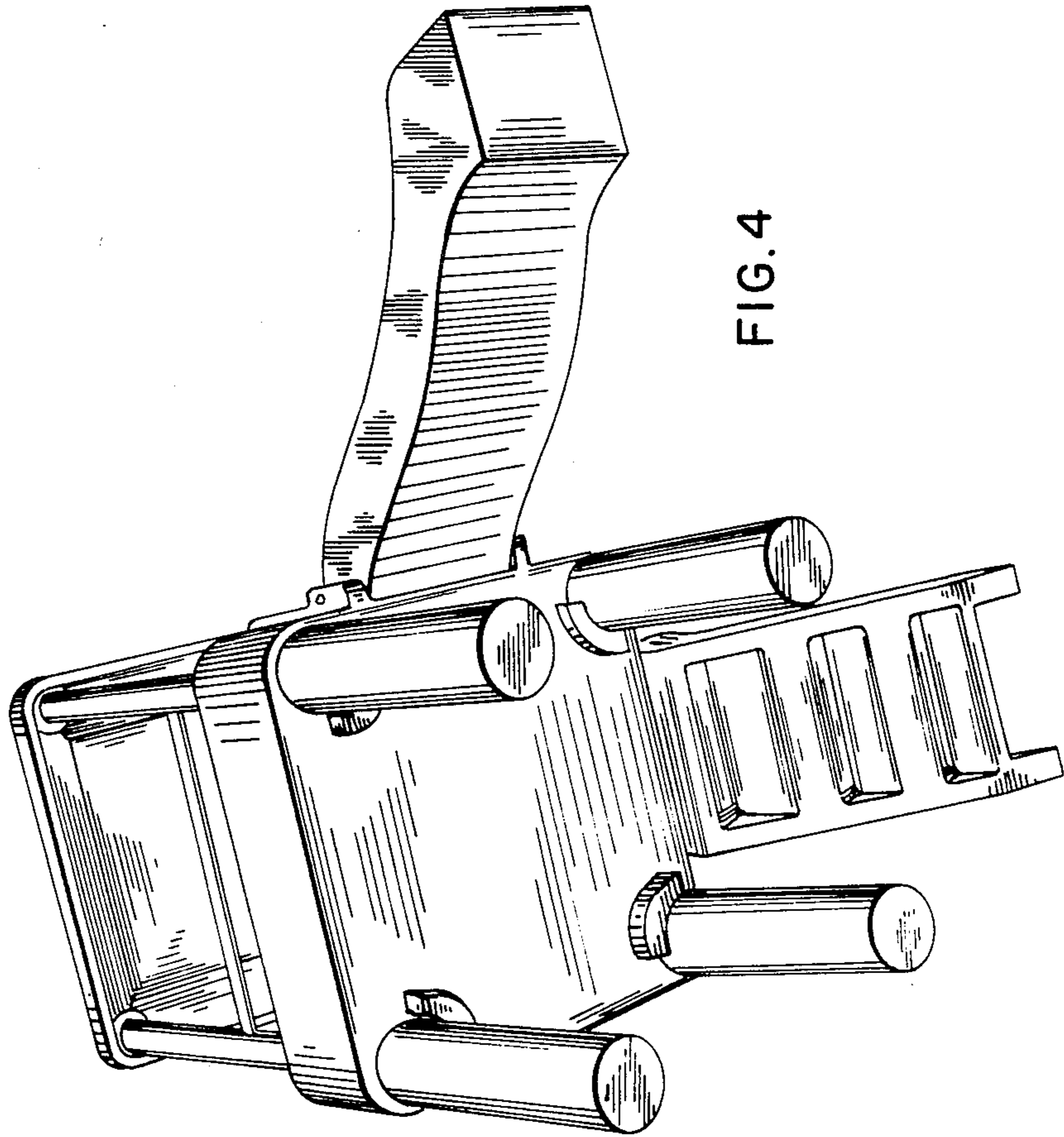


FIG. 4

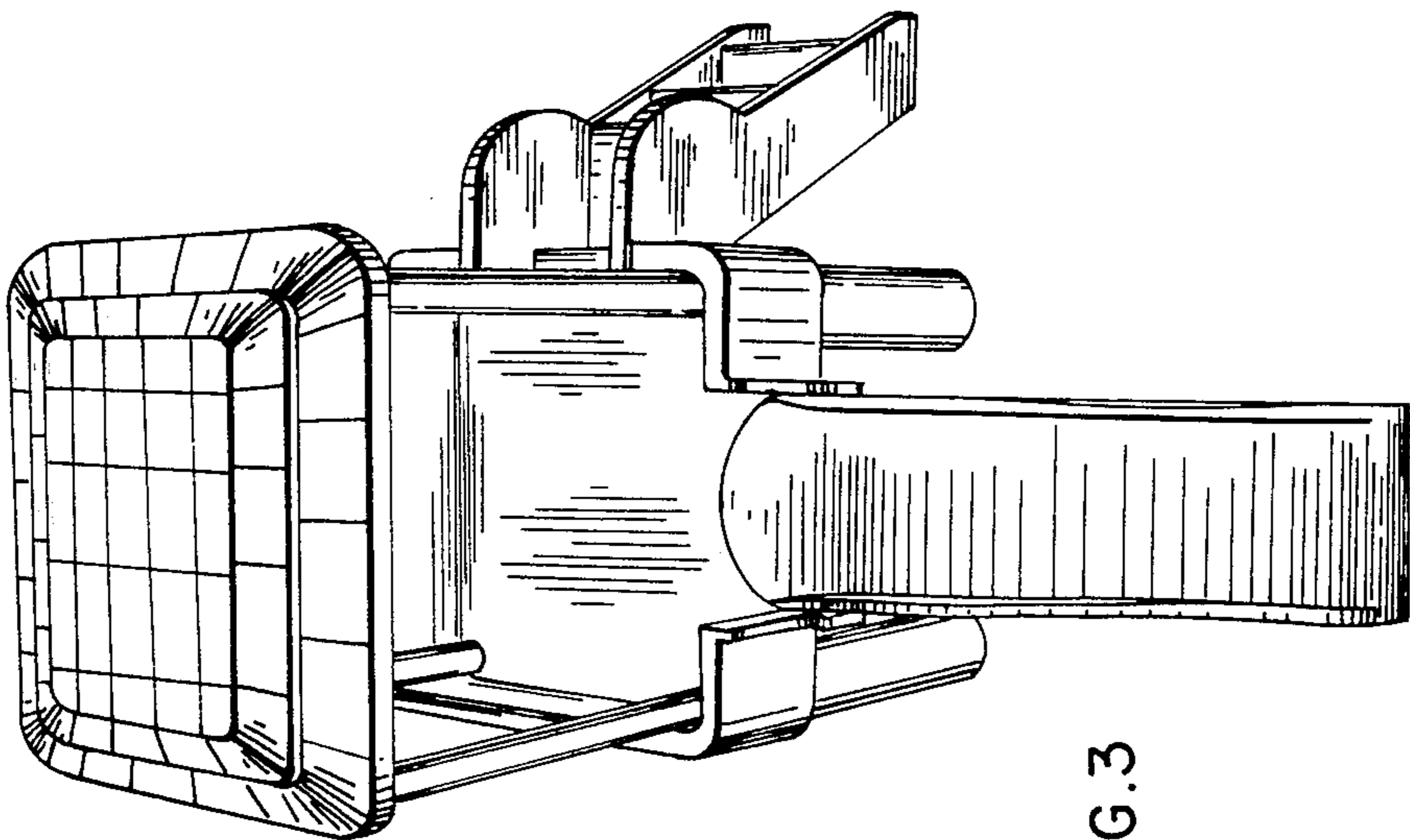


FIG. 3

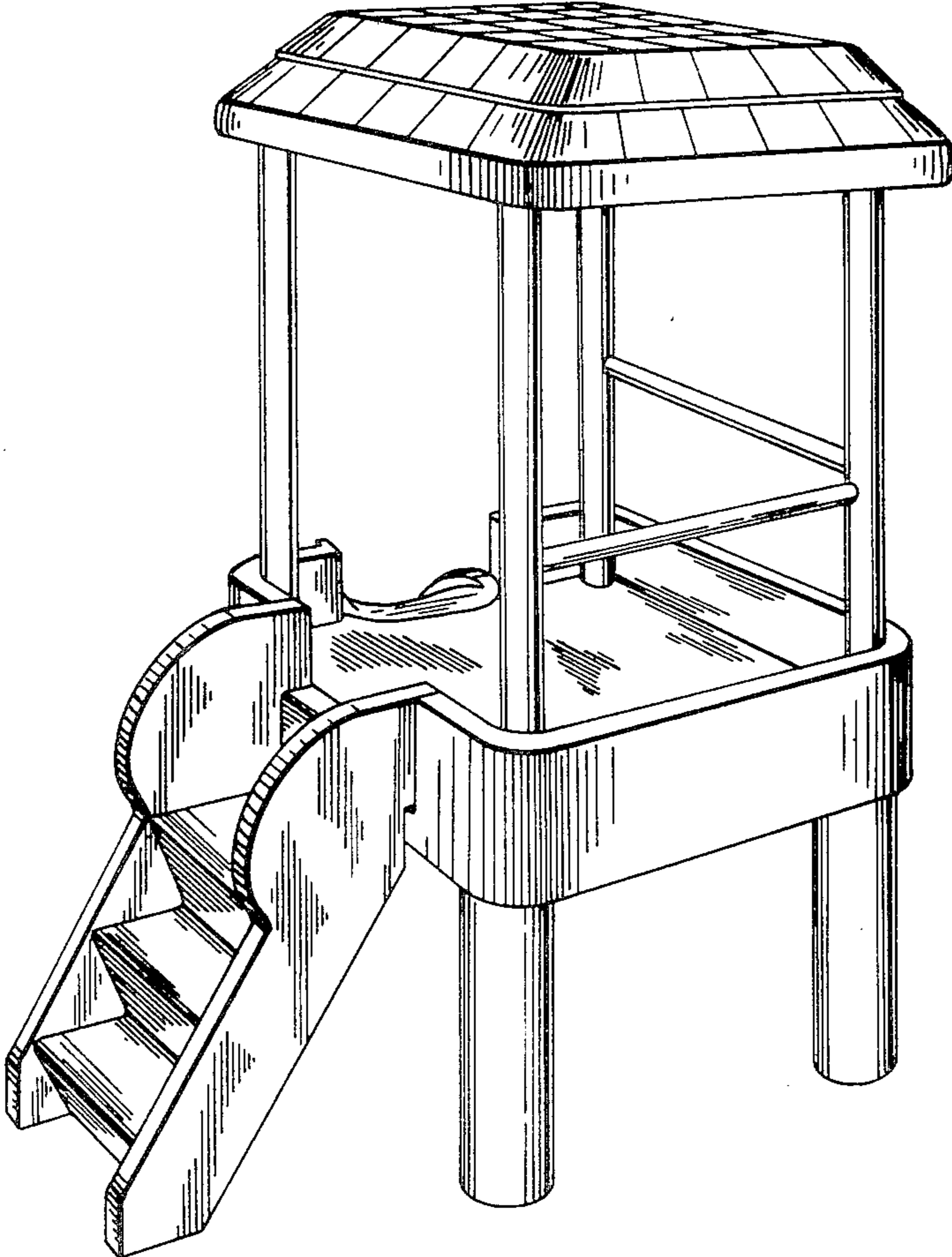


FIG. 5

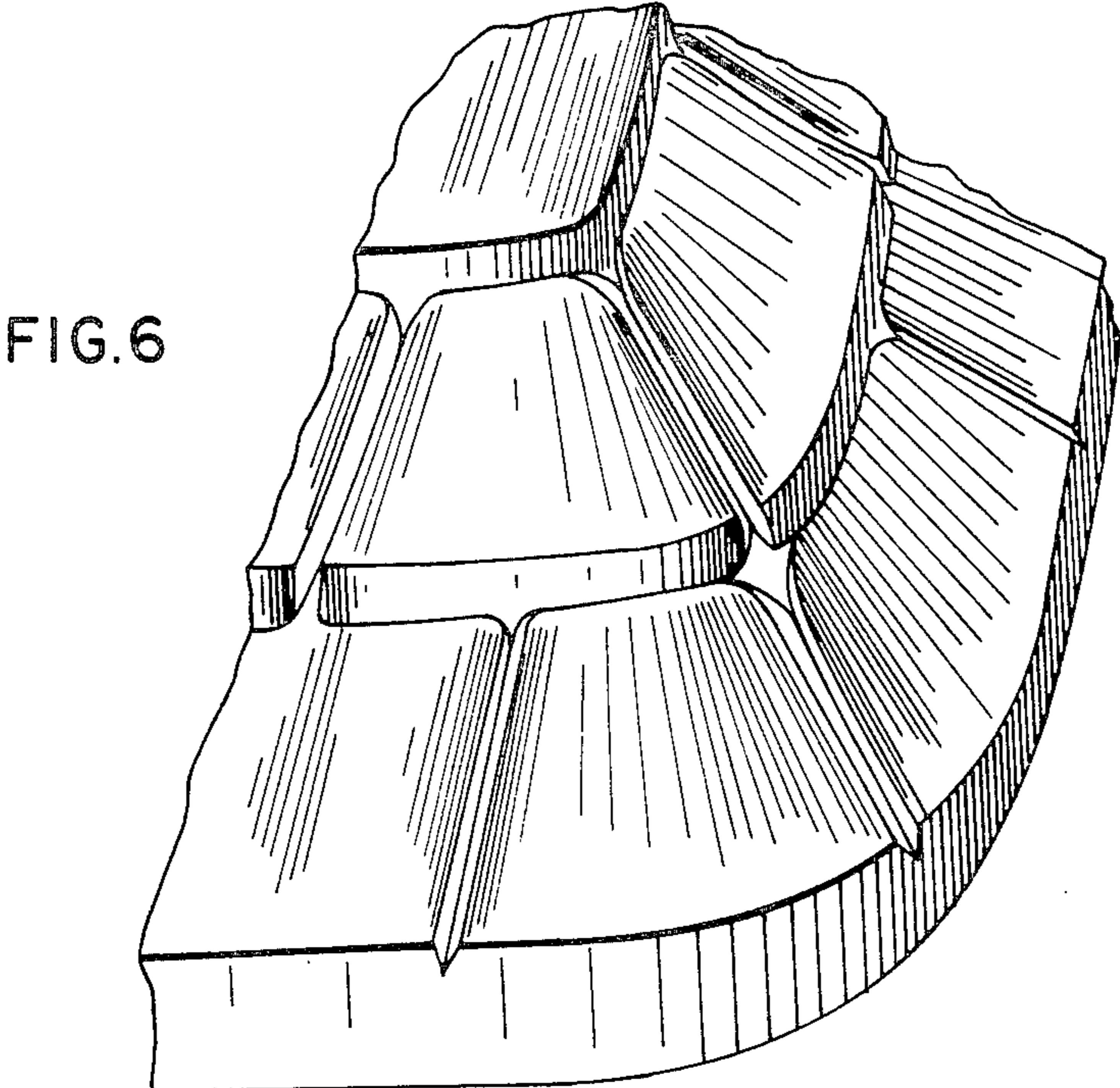


FIG. 6