

[54] TOY BLOCK

[75] Inventors: Shinroku Nakao, Kanagawa; Yoshiyasu Ishii; Yukio Ishige, both of Tokyo, all of Japan

[73] Assignee: Combi Co., Ltd., Tokyo, Japan

[**] Term: 14 Years

[21] Appl. No.: 468,784

[22] Filed: Feb. 22, 1983

[30] Foreign Application Priority Data

Aug. 20, 1982 [JP] Japan 57-37742

[52] U.S. Cl. D21/108

[58] Field of Search D21/104, 105, 107, 108, D21/64, 59; 446/71, 117, 118, 124

[56] References Cited

U.S. PATENT DOCUMENTS

121,936 12/1871 Fisher 446/117

D. 183,023 6/1958 Schnur D21/105
983,730 2/1911 Leach D21/104

Primary Examiner—Charles A. Rademaker
Attorney, Agent, or Firm—Sughrue, Mion, Zinn,
Macpeak & Seas

[57] CLAIM

The ornamental design for a toy block, as shown and described.

DESCRIPTION

FIG. 1 is a front and top perspective view of the toy block showing our new design, it being understood that the block is symmetrical about its axis;
FIG. 2 is a front elevational view thereof;
FIG. 3 is a side elevational view thereof;
FIG. 4 is a side view thereof to the opposite of that shown in FIG. 3;
FIG. 5 is a top plan view thereof;
FIG. 6 is a bottom plan view thereof; and
FIG. 7 is a vertical cross-sectional view thereof.

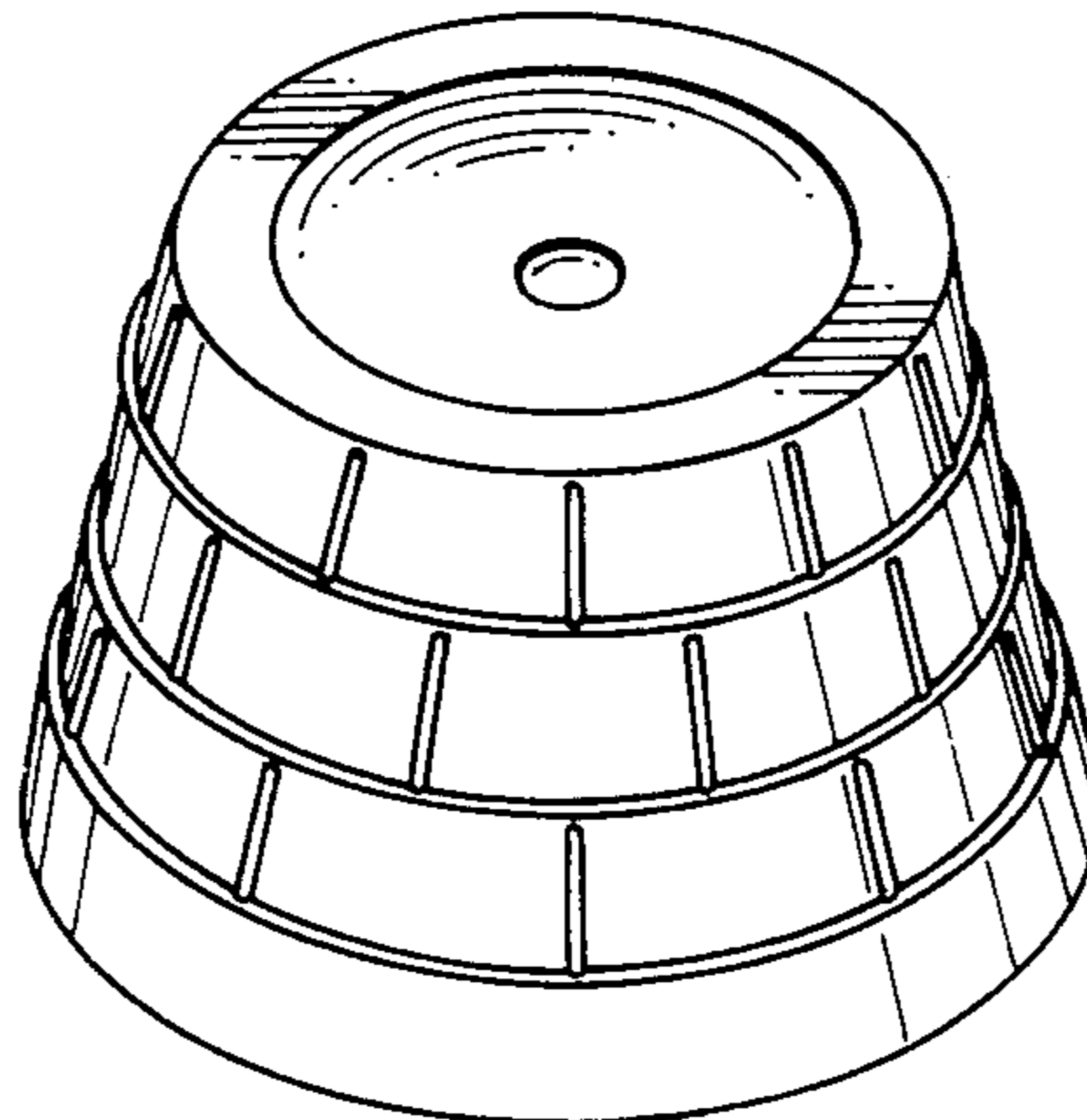


Fig. 1

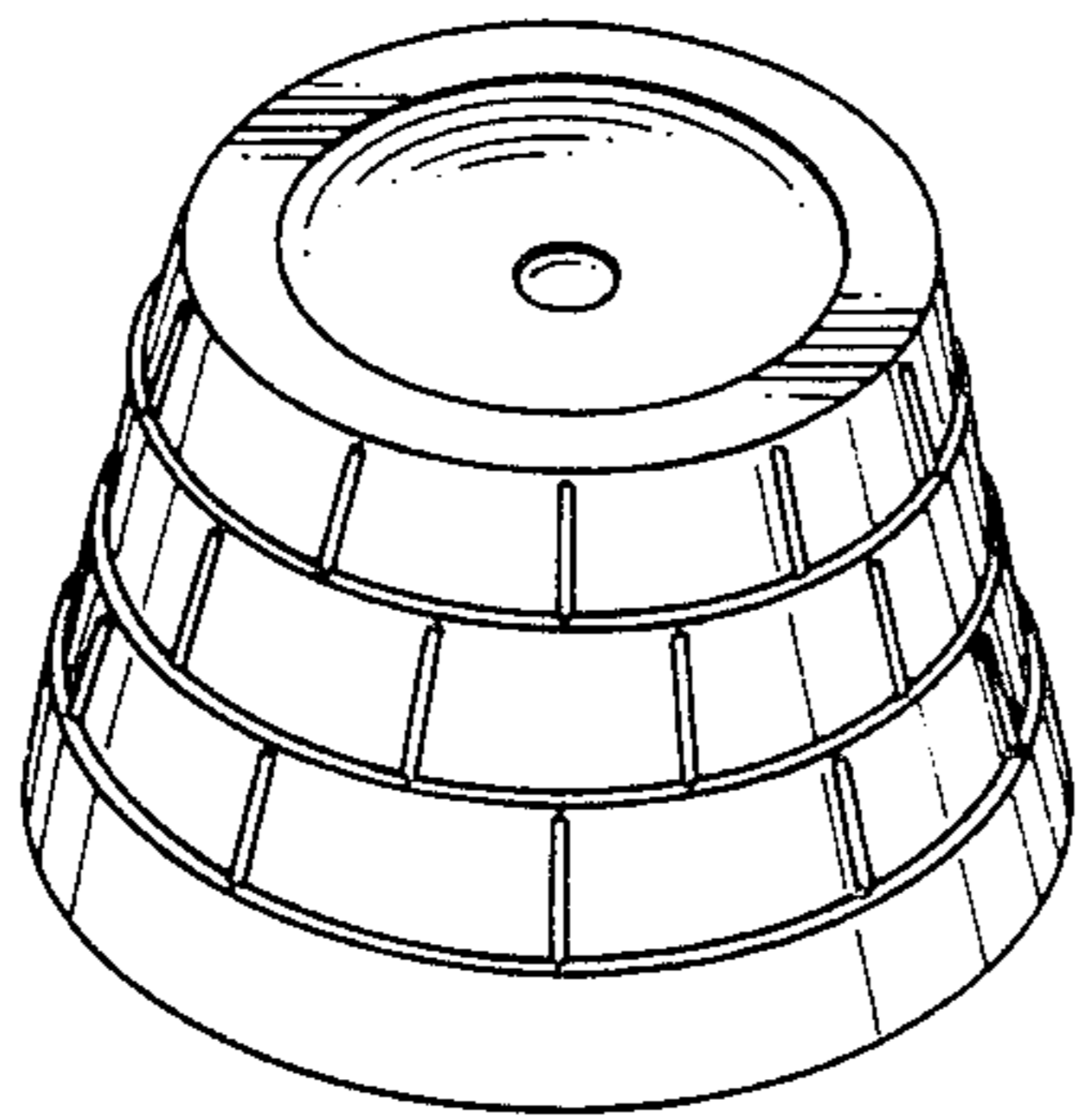


Fig. 2

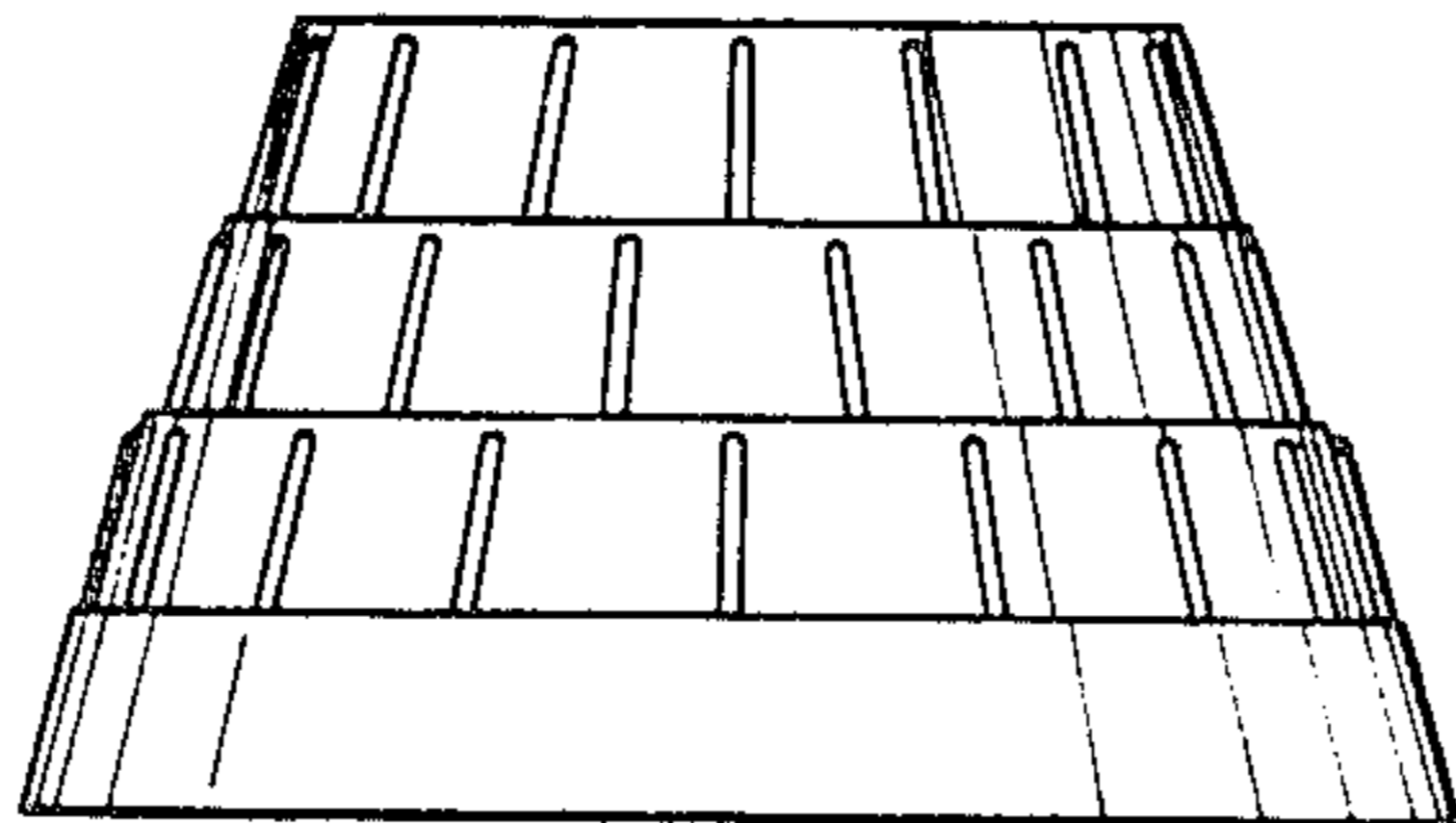


Fig. 3

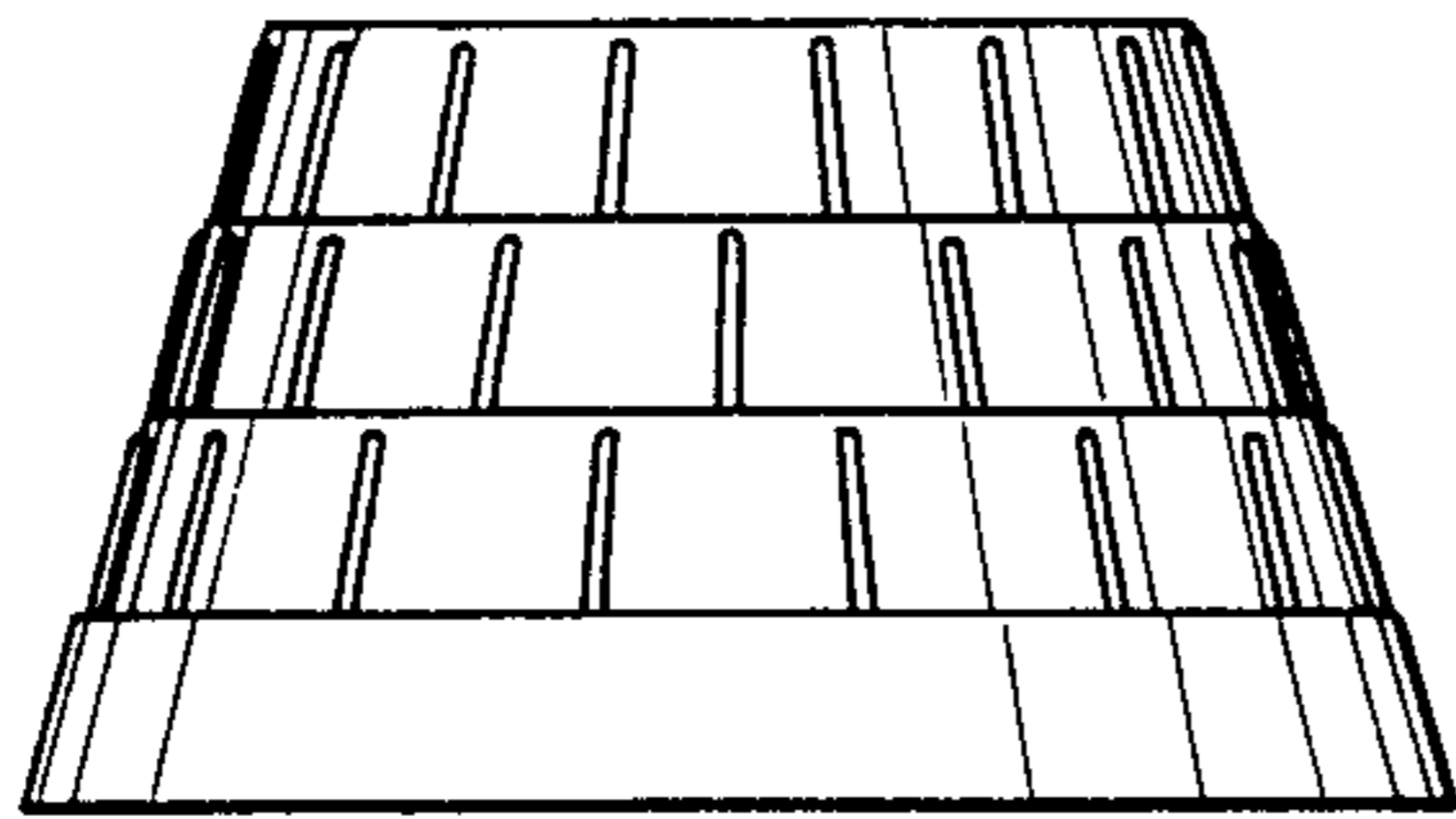


Fig. 4

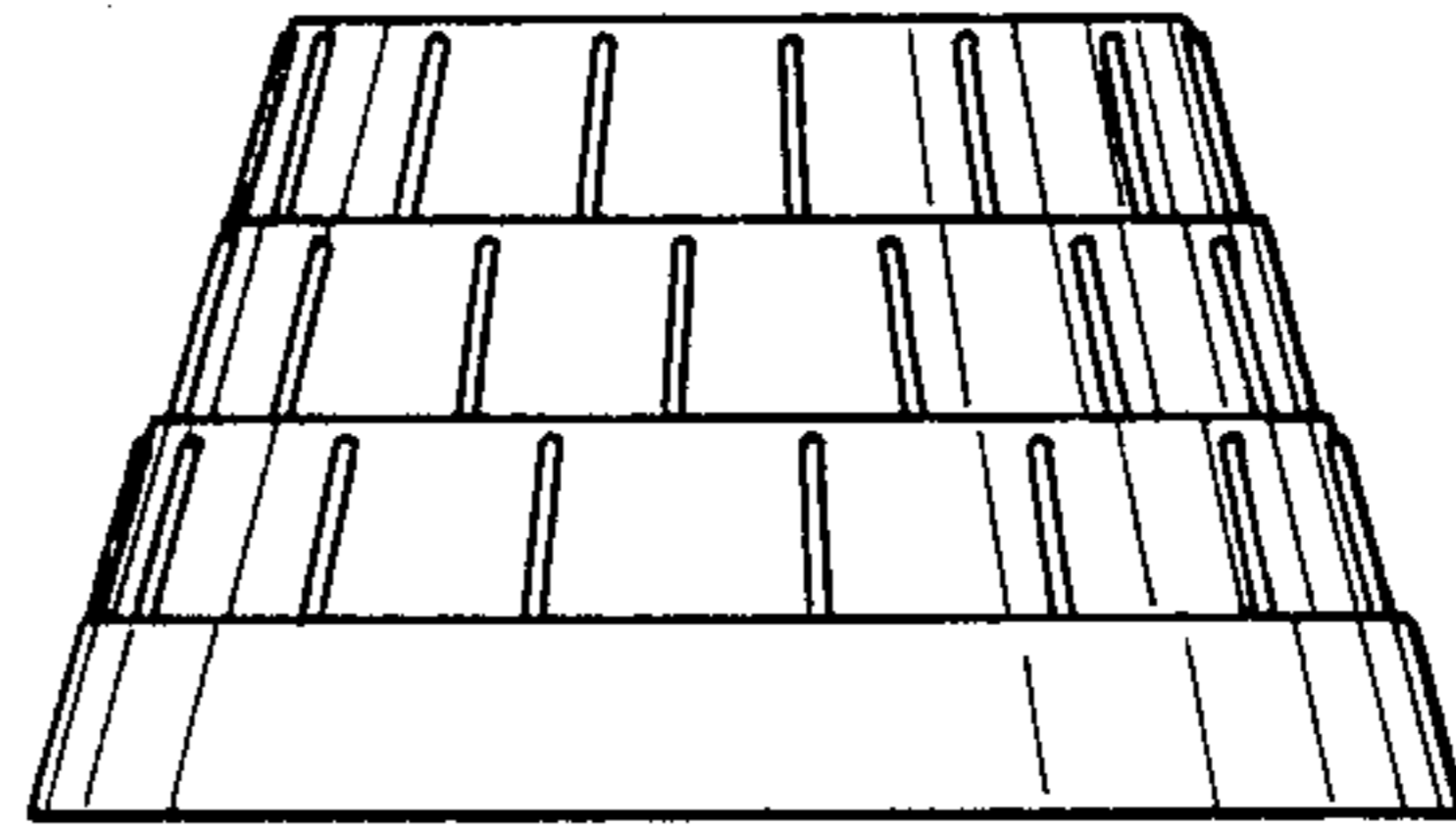


Fig. 5

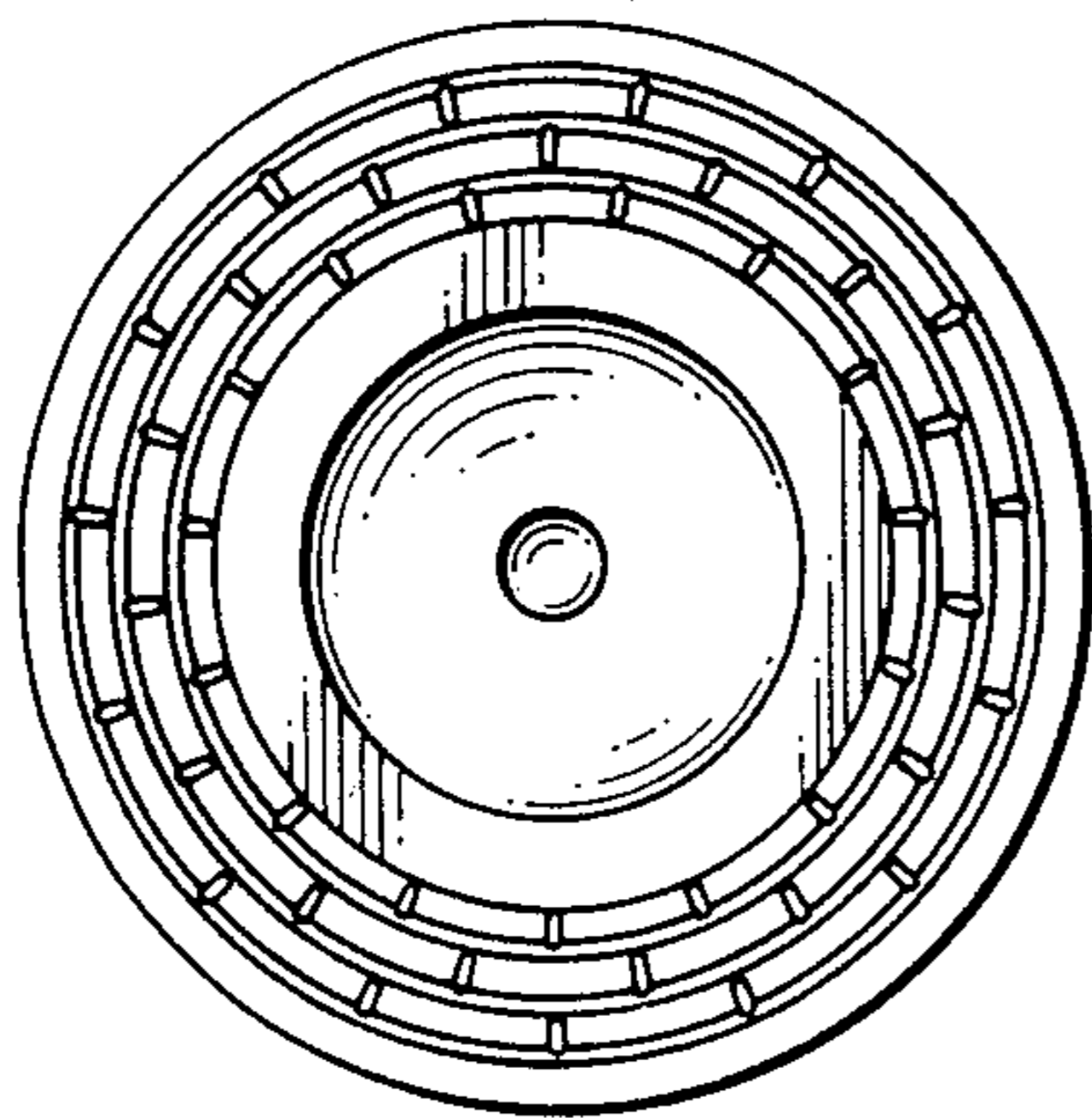


Fig. 6

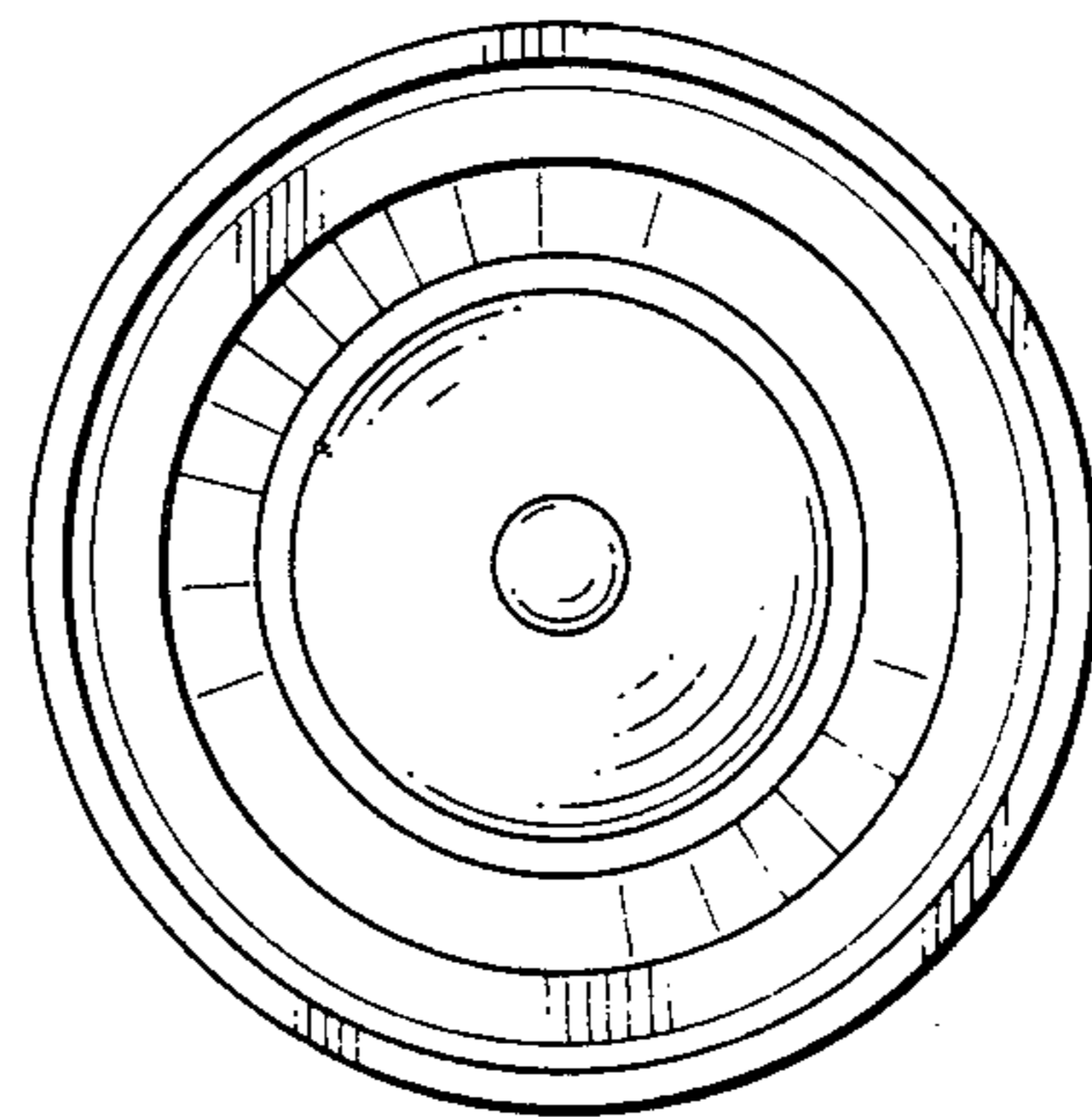


Fig. 7

