

[54] **SMOCKING MACHINE ASSEMBLY**

[76] Inventors: **Cynthia M. Parsons**, 412 Newman Ave., Huntsville, Ala. 35801; **G. Michael Maples**, 2609 University Dr., Huntsville, Ala. 35805

[**] Term: **14 Years**

[21] Appl. No.: **439,792**

[22] Filed: **Nov. 8, 1982**

[52] U.S. Cl. **D15/69; 242/131**

[58] Field of Search **D15/69, 66; 28/191, 28/192, 214; 242/131, 131.1; 289/13**

[56] **References Cited**

U.S. PATENT DOCUMENTS

1,610,913	2/1926	Wylie, Jr.	28/214
1,921,053	8/1933	Vickerman	28/214
2,102,680	12/1937	Cocker	242/131.1
2,224,665	12/1940	Bradshaw et al.	28/191 X
4,154,267	5/1979	Orr et al.	28/191 X
4,359,198	11/1982	Brandenberger	242/131.1

Primary Examiner—Bernard Ansher
Assistant Examiner—Linda Titolo

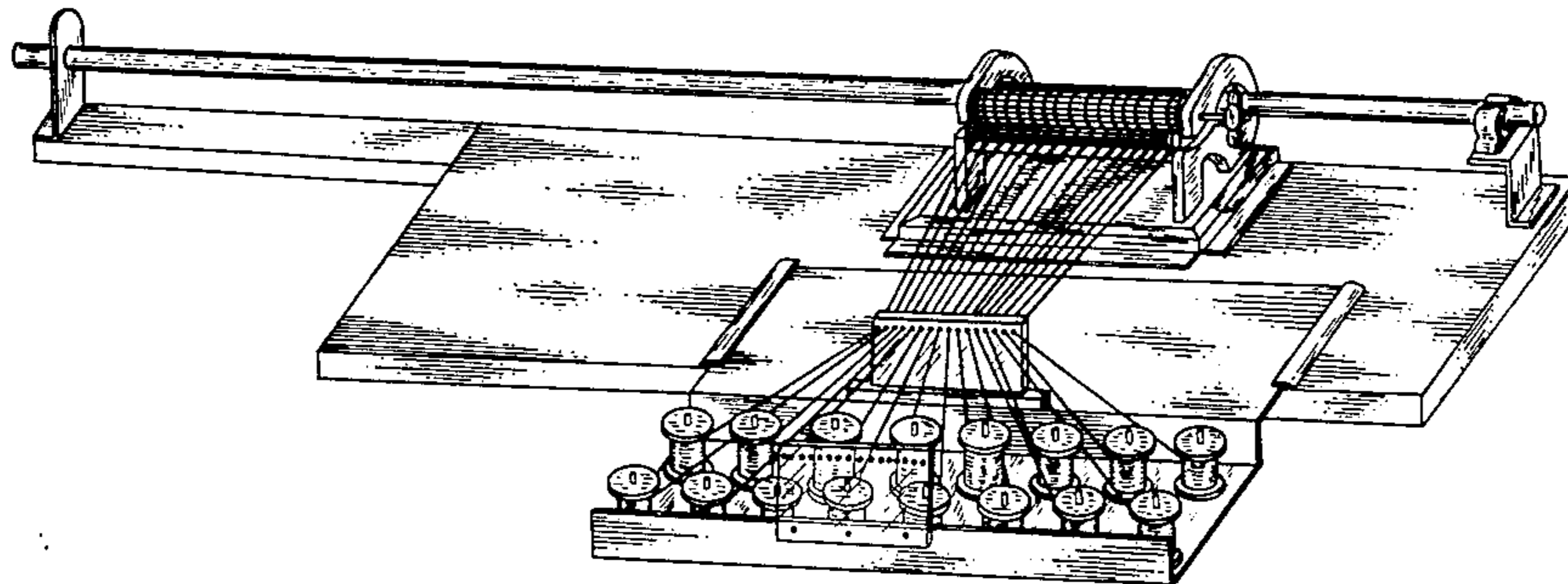
Attorney, Agent, or Firm—C. A. Phillips

[57] **CLAIM**

The ornamental design for a smocking machine assembly, substantially as shown and described.

DESCRIPTION

FIG. 1 is a top perspective view of a smocking machine assembly showing our new design;
 FIG. 2 is a rear elevational view thereof;
 FIG. 3 is a bottom perspective view thereof;
 FIG. 4 is a cross-sectional view thereof taken along line 4—4 of FIG. 3 with portions omitted for ease of illustration;
 FIG. 5 is a cross-sectional view thereof taken along line 5—5 of FIG. 3 with portions omitted for ease of illustration;
 FIG. 6 is a cross-sectional view thereof taken along line 6—6 of FIG. 3;
 FIG. 7 is an end elevational view of the spool tray as seen along line 7—7 of FIG. 3 and shown separately for ease of illustration; and
 FIG. 8 is a cross-sectional view thereof taken along line 8—8 of FIG. 3 with portions omitted for ease of illustration.



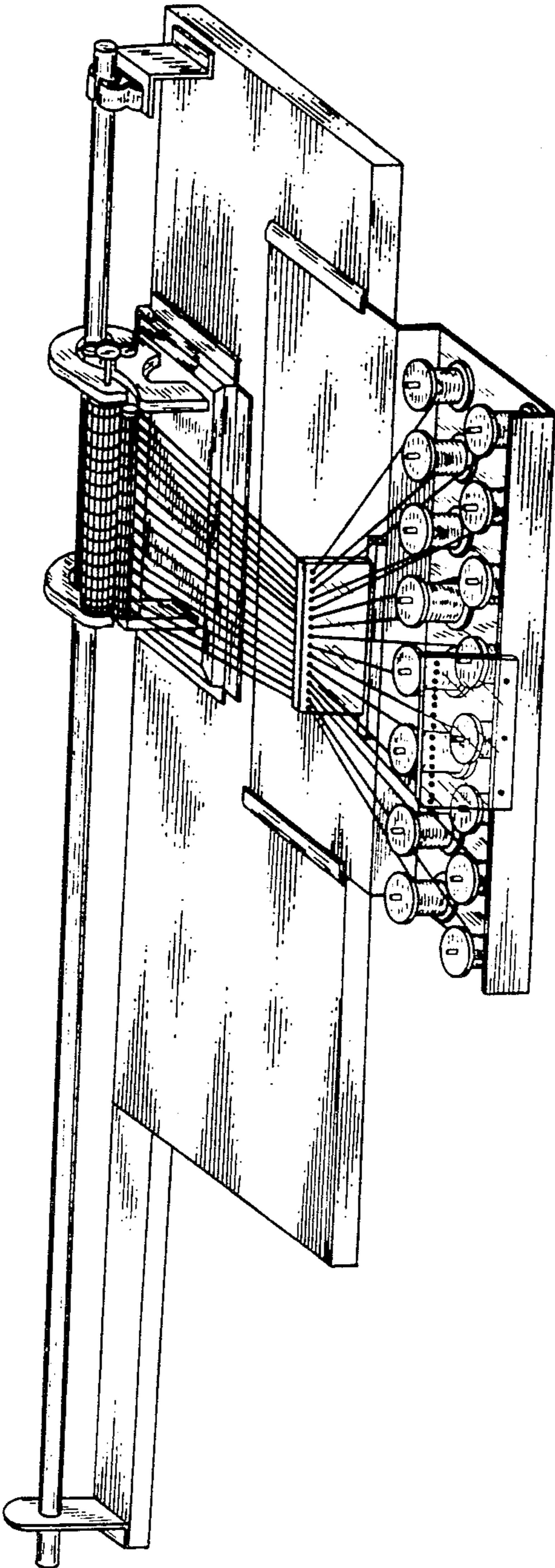


FIG. 1

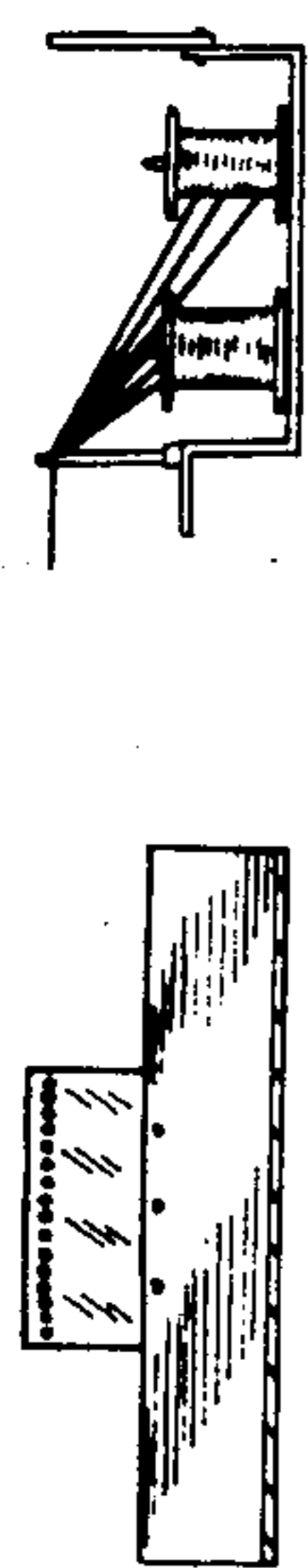


FIG. 6

FIG. 7



FIG. 8



FIG. 4



FIG. 5

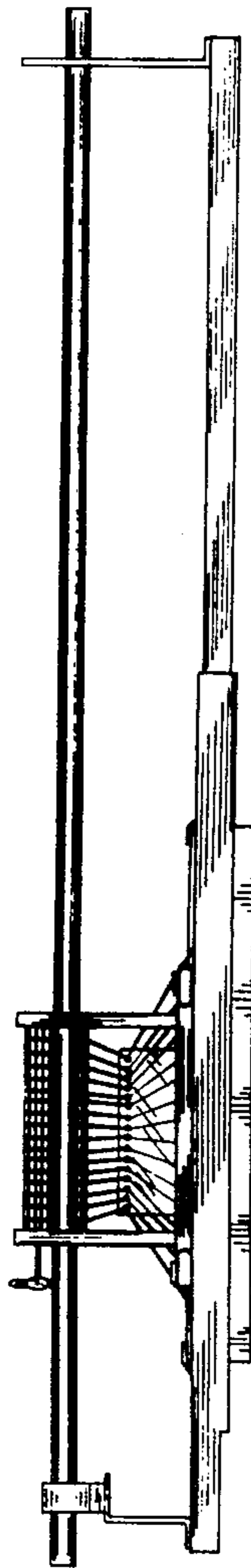


FIG. 2

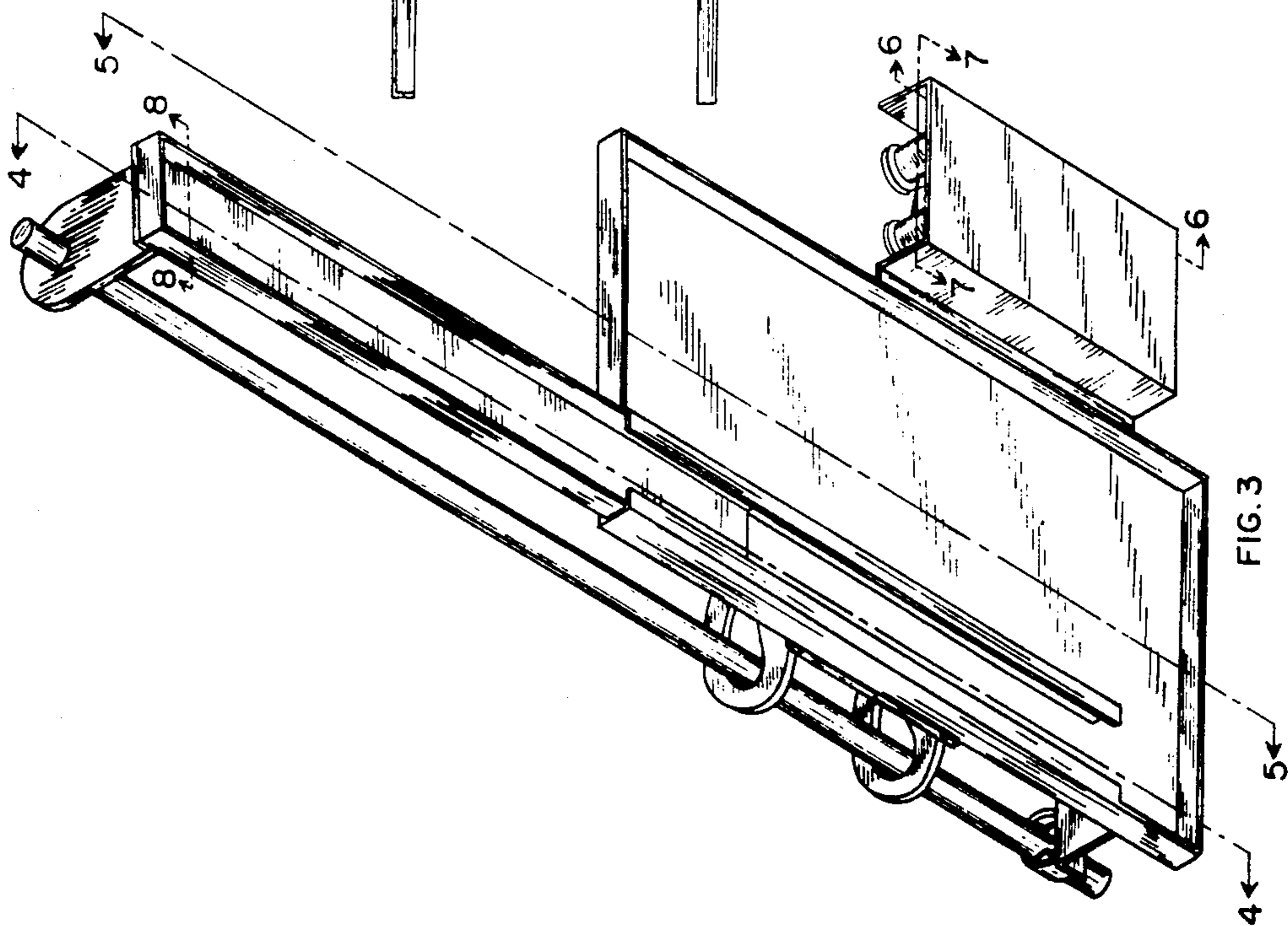


FIG. 3