

[54] **STEREO TELEVISION RECEIVER**

[76] **Inventor: Laurent Menei, 16 Avenue Jean Lurcat, 49240 Arville, France**

[**] **Term: 14 Years**

[21] **Appl. No.: 553,334**

[22] **Filed: Nov. 18, 1983**

[30] **Foreign Application Priority Data**

Jul. 15, 1983 [FR] France DM 002692

[52] **U.S. Cl. D14/80; D14/77; D14/79**

[58] **Field of Search D14/77, 79-82, D14/84, 113; 312/7.2**

[56] **References Cited**

U.S. PATENT DOCUMENTS

- D. 183,779 10/1958 Whipple D14/80
- D. 189,162 11/1960 Seymour D14/80
- D. 271,103 10/1983 Enot D14/113
- D. 276,343 11/1984 Enomoto D14/80 X
- D. 276,522 11/1984 Inoue D14/80

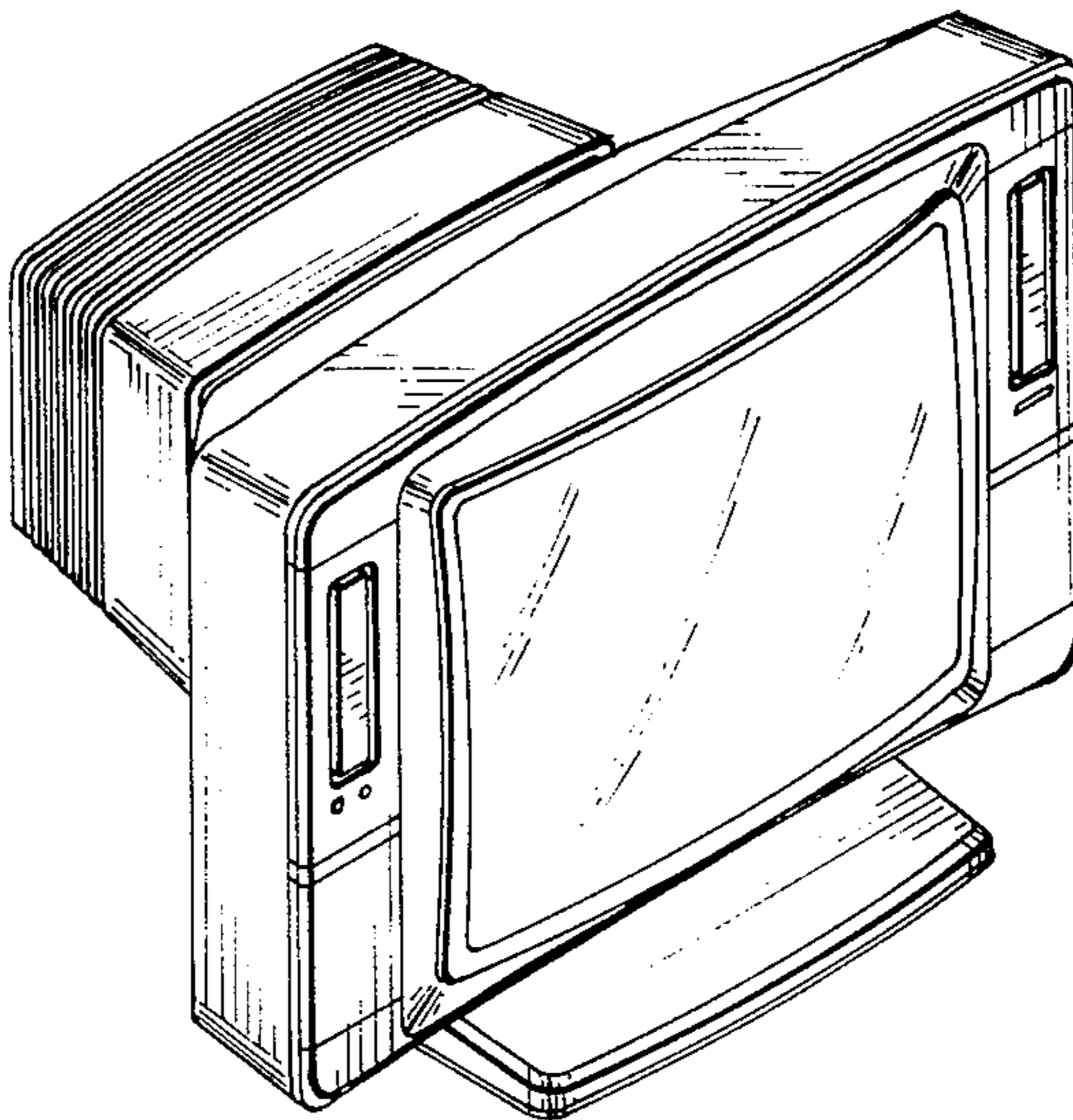
Primary Examiner—Jane E. Corrigan

[57] **CLAIM**

The ornamental design for a stereo television receiver, as shown.

DESCRIPTION

FIG. 1 is a front, top and left side perspective view of a stereo television receiver showing my new design; FIG. 2 is a right side elevational view; FIG. 3 is a rear elevational view; and FIG. 4 is a bottom plan view.



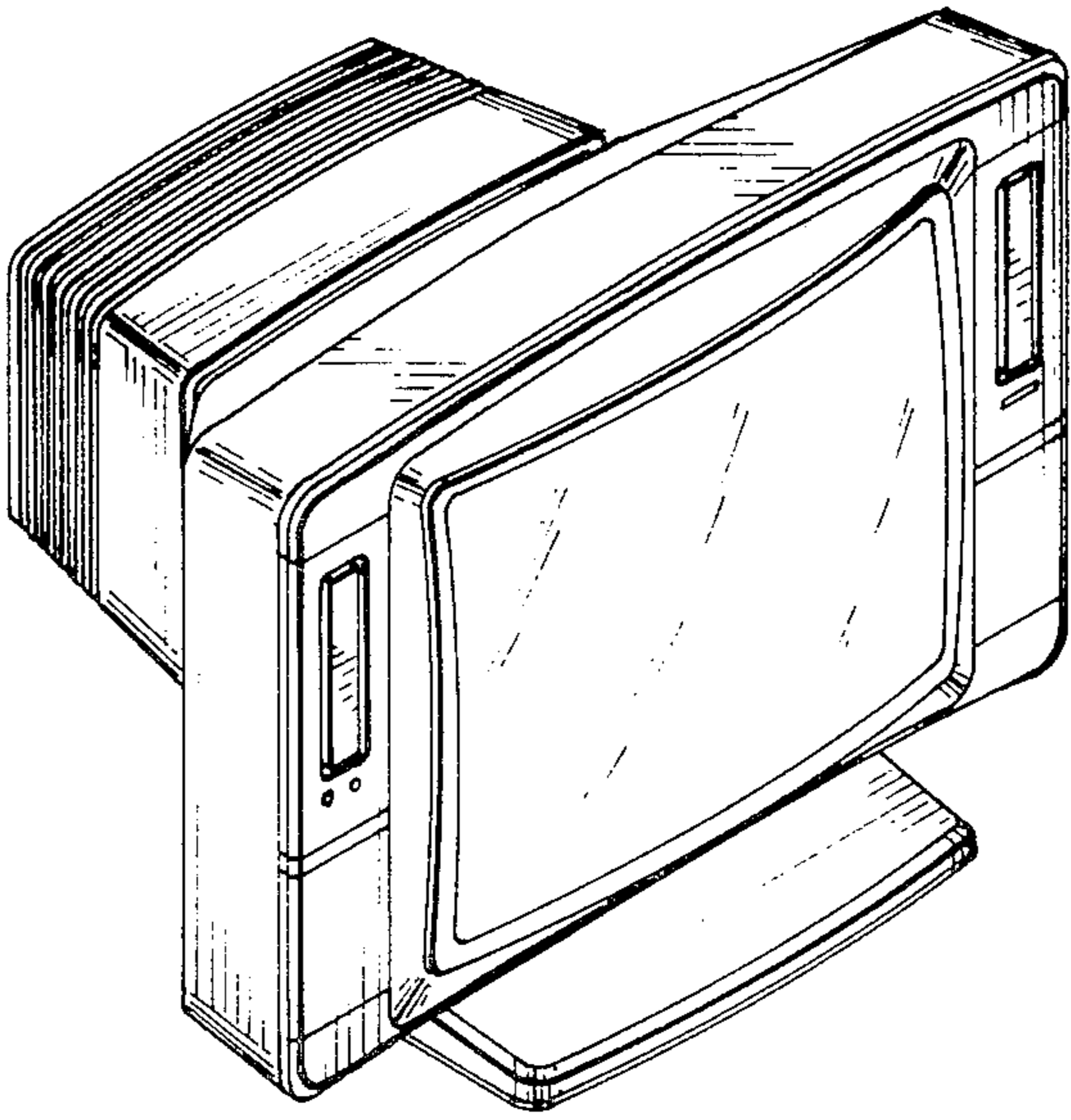


FIG 1

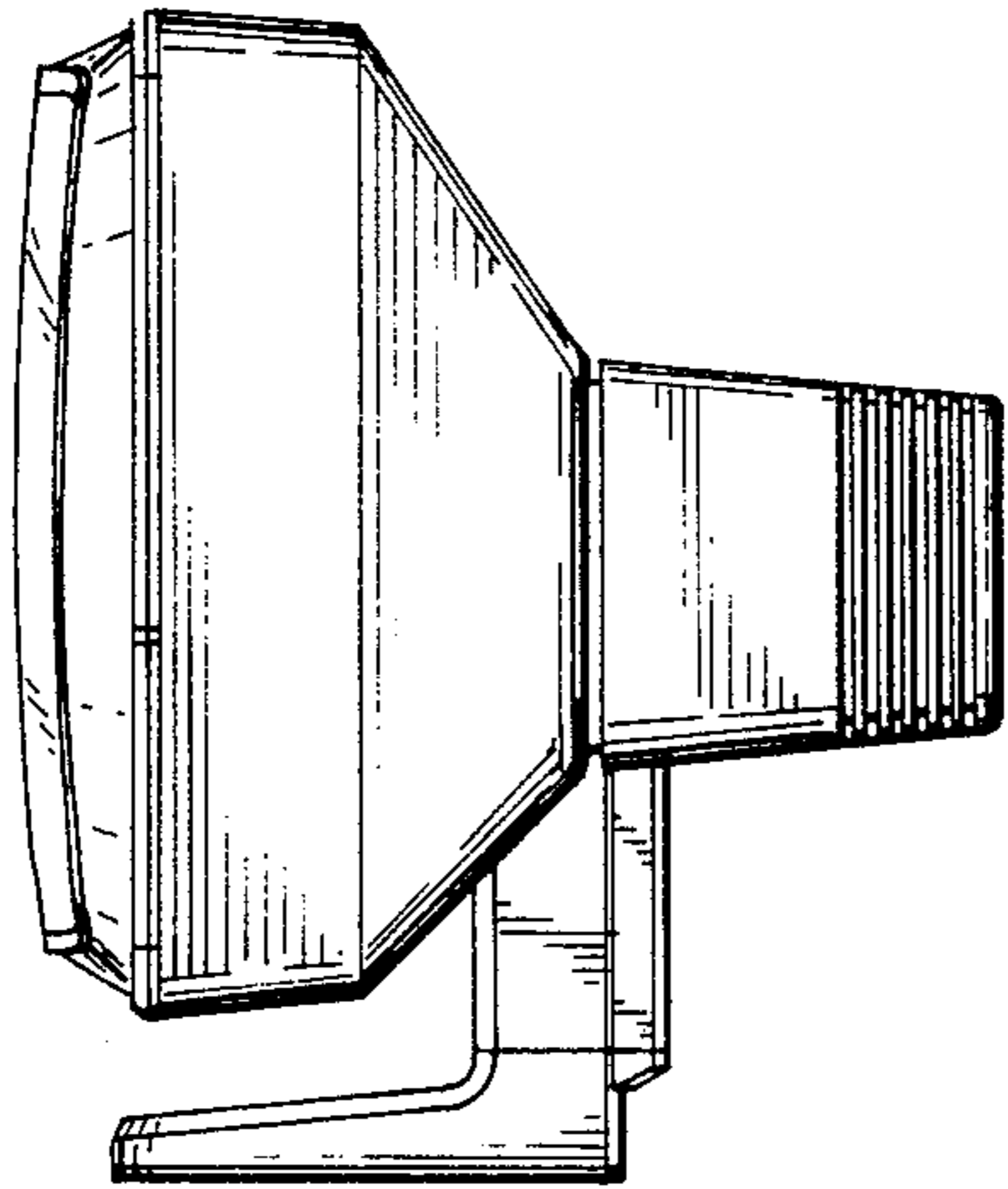


FIG 2

FIG 3

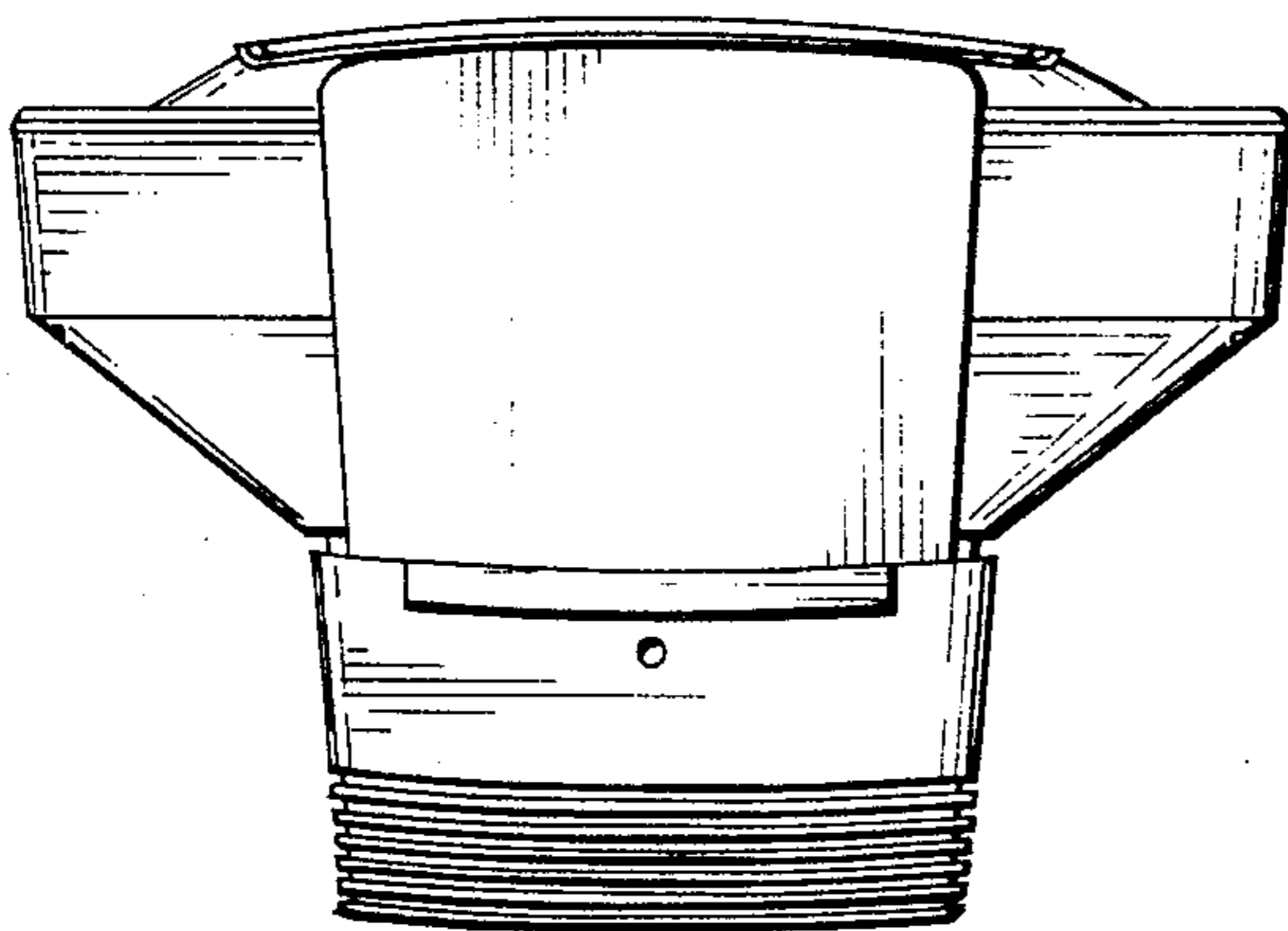
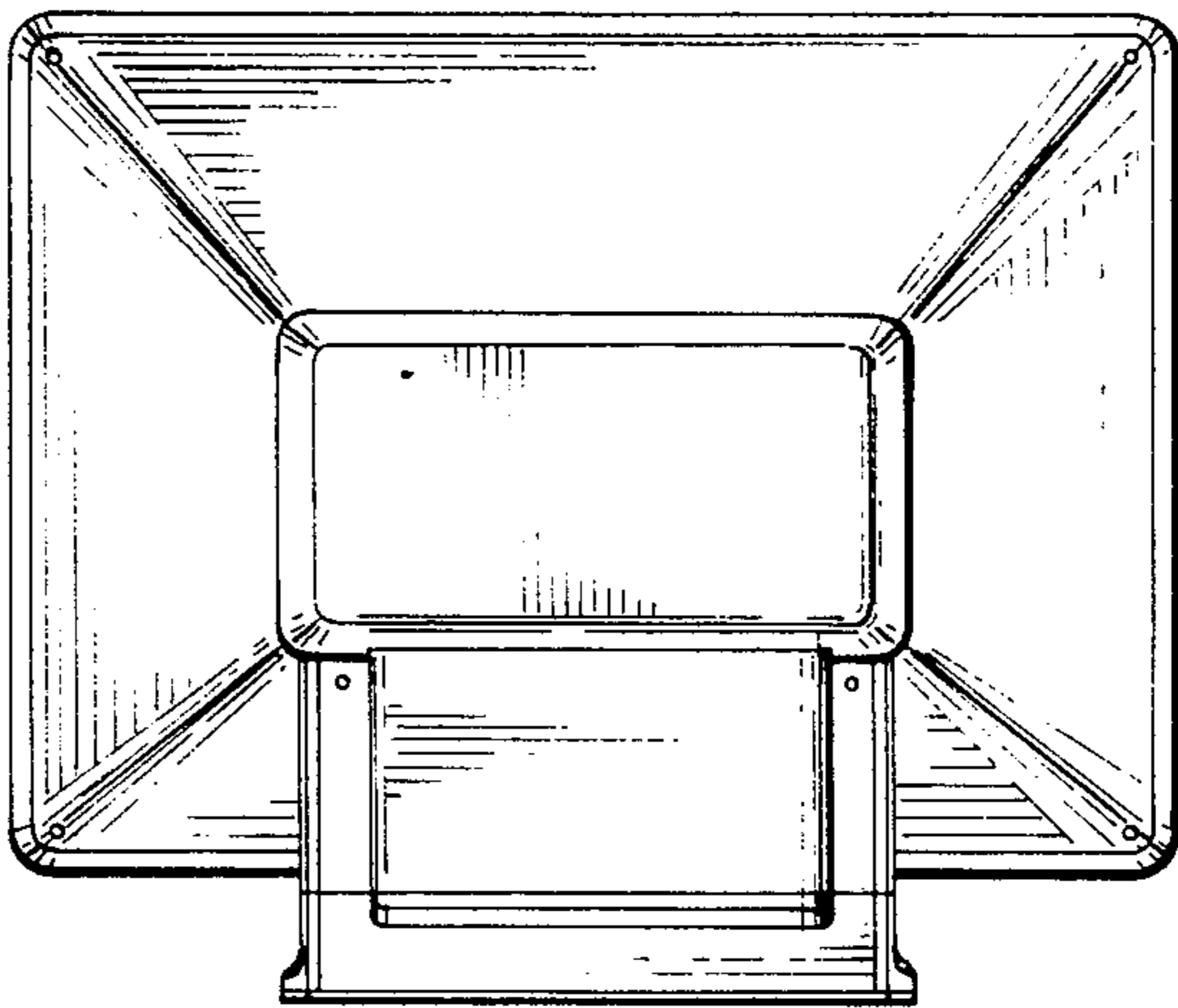


FIG 4