

[54] **TELEPHONE**

[76] **Inventor: Bernard A. Paul, 788 Greenview Ave., Des Plaines, Ill. 60016**

[\*\*] **Term: 14 Years**

[21] **Appl. No.: 639,864**

[22] **Filed: Aug. 13, 1984**

**Related U.S. Application Data**

- [62] **Division of Ser. No. 383,910, Jun. 2, 1982, Pat. No. Des. 277,180.**
- [52] **U.S. Cl. .... D14/53; D14/60; 179/100 D**
- [58] **Field of Search ..... D14/53; D21/111; D2/231, 232; 179/100 R, 100 D, 103, 179, 178**

[56]

**References Cited**

**U.S. PATENT DOCUMENTS**

- D. 188,368 7/1960 Hale ..... D2/232
- D. 212,582 11/1968 Feldmann et al. .... D2/231
- D. 260,260 8/1981 Thomas ..... D14/53
- D. 260,625 9/1981 Schoolcraft ..... D11/131
- D. 267,489 1/1983 Daharsh et al. .... D14/53

*Primary Examiner*—Wallace R. Burke  
*Assistant Examiner*—Horace B. Fay  
*Attorney, Agent, or Firm*—Robert D. Silver

[57]

**CLAIM**

The ornamental design for a telephone, as shown and described.

**DESCRIPTION**

FIG. 1 is a perspective view of a telephone showing my new design;  
FIG. 2 is a front elevational view thereof;  
FIG. 3 is a side elevational view thereof;  
FIG. 4 is a rear elevational view thereof; and  
FIG. 5 is a top plan view thereof.

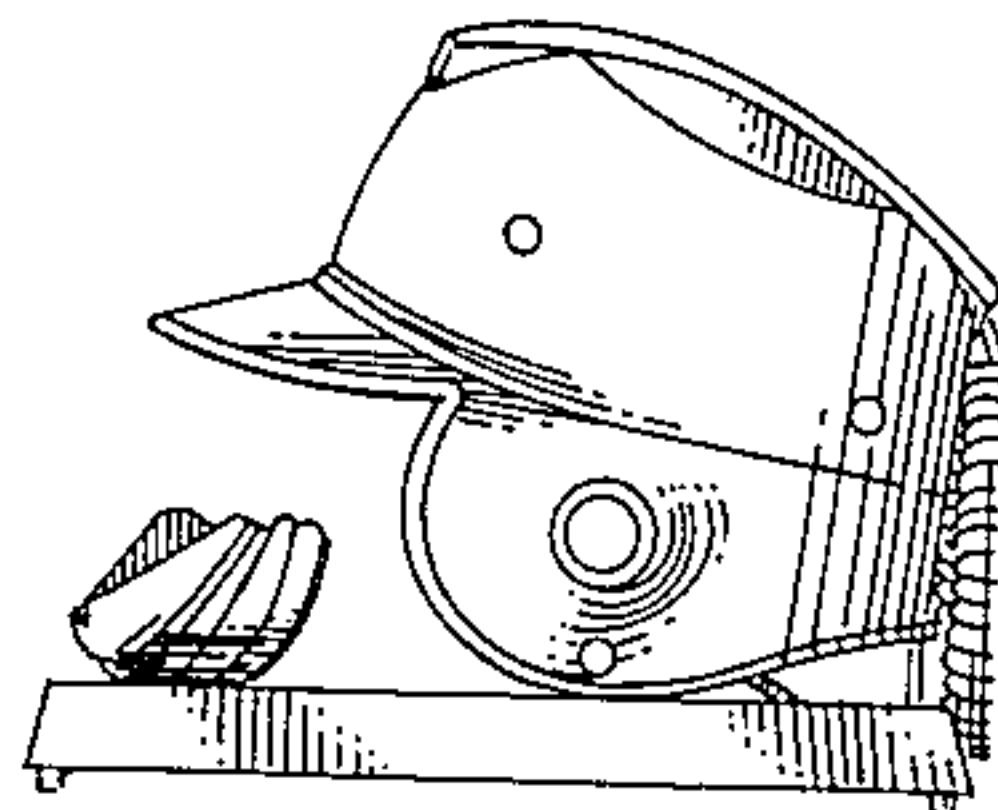
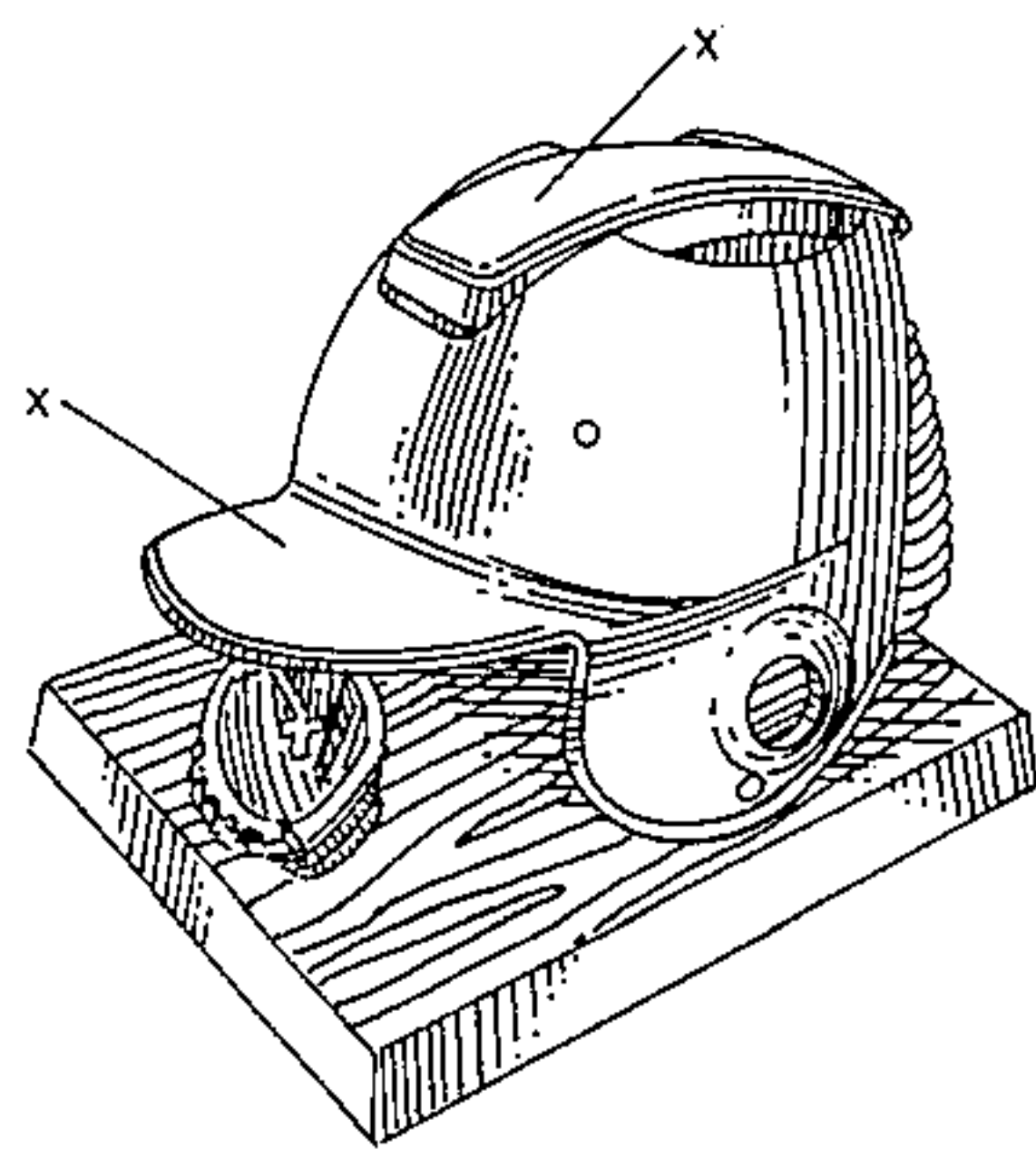


FIG. 1

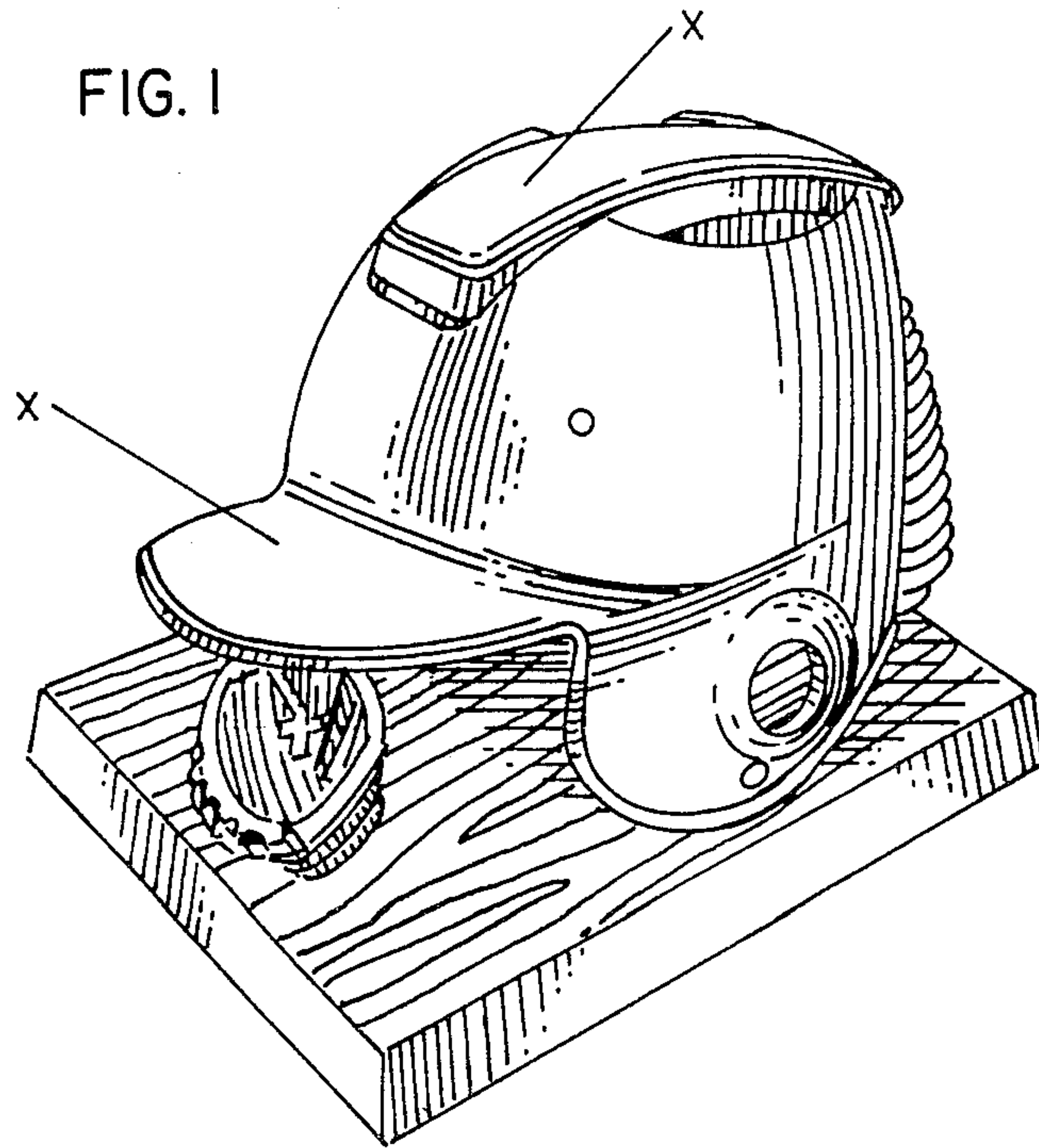


FIG. 2

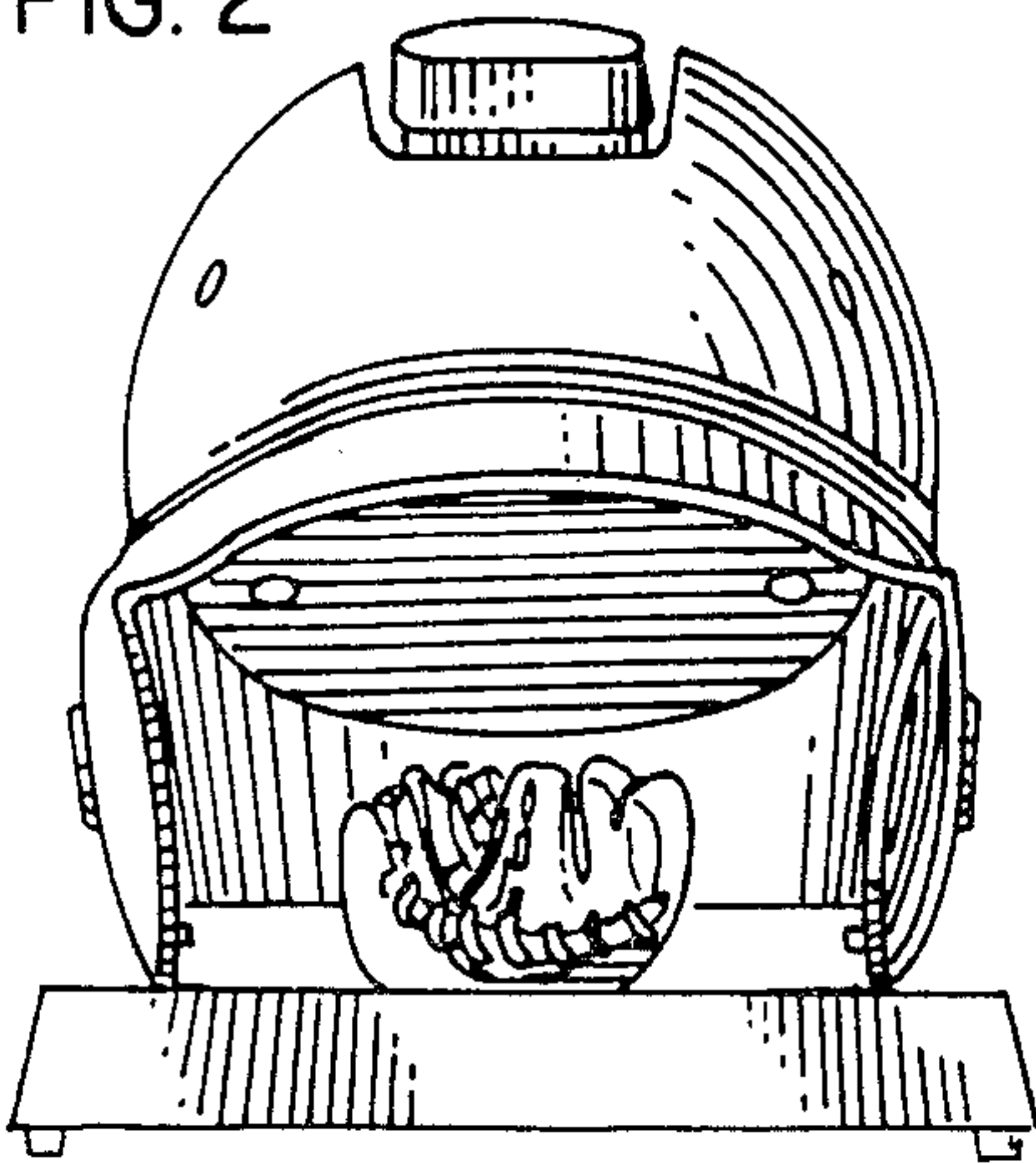


FIG. 3

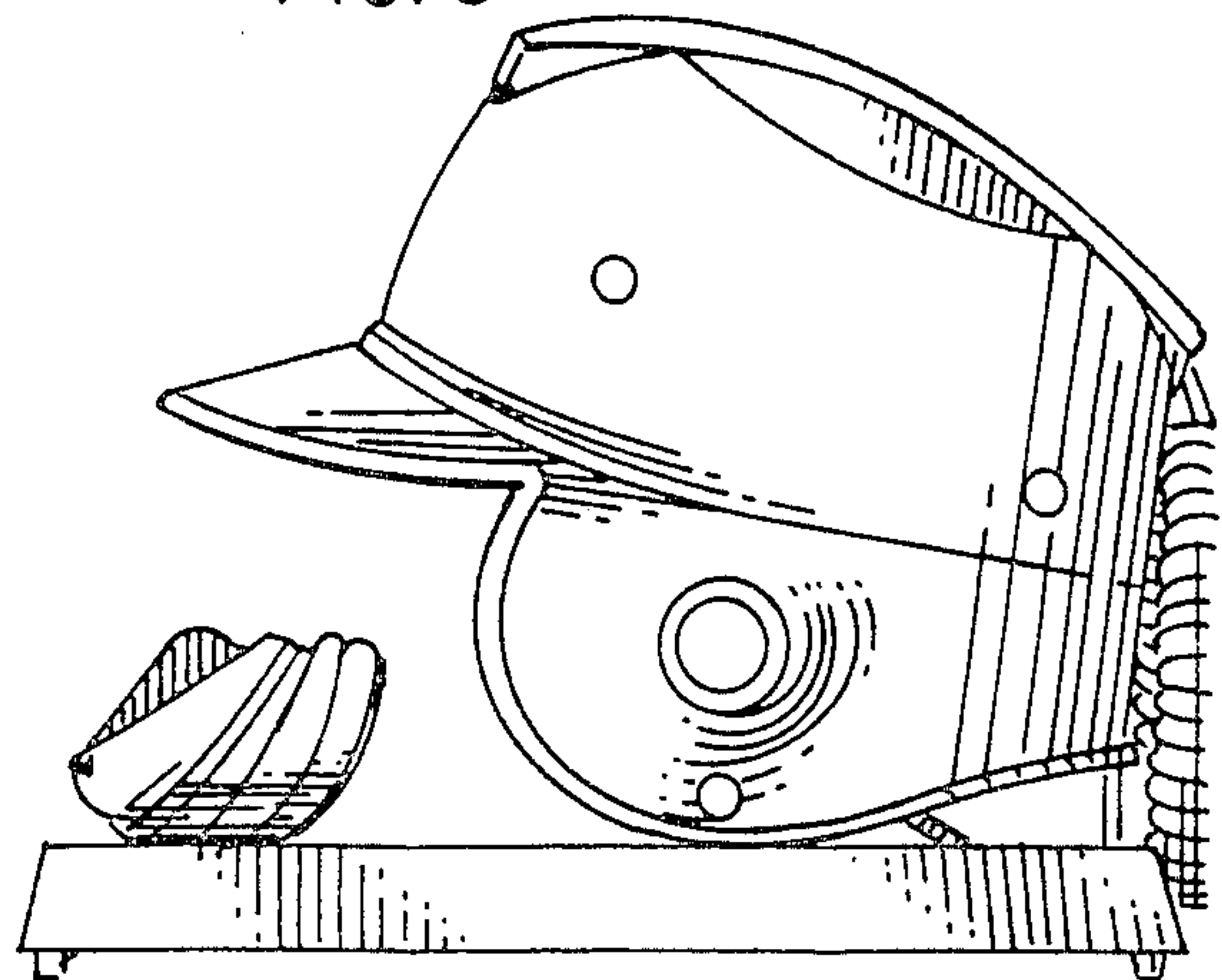


FIG. 4

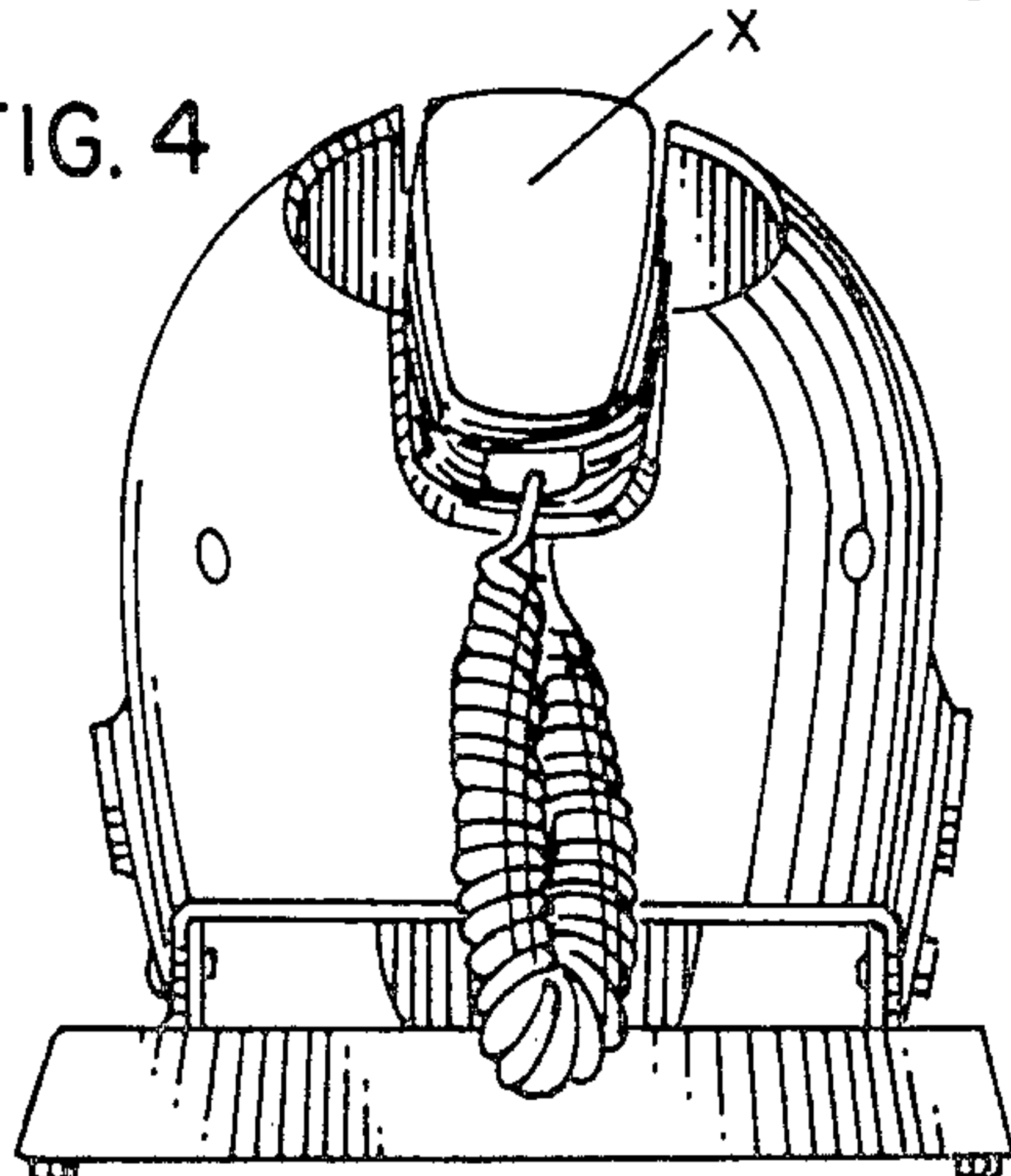


FIG. 5

