

[54] D.C. POWER PACK OR SIMILAR ARTICLE

[75] Inventors: Karl O. Thiele, Bloomfield Hills; Albert L. Taylor, Orchard Lake, both of Mich.

[73] Assignee: Enertronics, Inc., Clawson, Mich.

[**] Term: 14 Years

[21] Appl. No.: 522,830

[22] Filed: Aug. 12, 1983

[52] U.S. Cl. D13/4; D13/8

[58] Field of Search D13/8, 11, 4, 9, 10; 320/2-5; 307/150; D27/47; D28/78

[56] References Cited

U.S. PATENT DOCUMENTS

D. 93,317	9/1934	Zell	D28/78
D. 159,170	6/1950	Stamper	D13/8
D. 159,567	8/1950	Wolfenden	D27/47
D. 204,798	5/1966	Lozeau	D13/8
D. 207,586	5/1967	Rakocy	D13/8
D. 225,109	11/1972	Flidor	D13/10
D. 236,493	8/1975	Kaye	D13/8
D. 246,240	11/1977	Hansen	D13/8
D. 247,619	3/1978	Edgell et al.	D13/11
D. 248,759	8/1978	Eckmann et al.	D10/106
D. 264,580	5/1982	McKeeman	D13/11
414,626	11/1889	Barrett	.
974,220	11/1910	West	224/902
1,530,342	3/1925	Barber	224/902
1,779,207	10/1930	Candar	224/902

1,887,811	11/1932	Ikin	.
1,935,790	11/1933	Dame	224/902
2,190,601	2/1940	La Van	224/902
2,592,209	4/1952	Stamper	224/902
3,519,914	7/1970	Fujimaki et al.	320/2
3,555,394	1/1971	Bramer et al.	307/150
3,741,815	6/1973	Peterson	.
3,887,394	6/1975	Kaye	.
4,091,187	5/1978	Kaye	.
4,123,598	10/1978	Hammel	429/159

FOREIGN PATENT DOCUMENTS

2509392 11/1975 Fed. Rep. of Germany 320/2

Primary Examiner—Wallace R. Burke

Assistant Examiner—Lynn Wilder

Attorney, Agent, or Firm—Reising, Ethington, Barnard, Perry & Milton

[57] CLAIM

The ornamental design for a D.C. power pack or similar article, substantially as shown and described.

DESCRIPTION

FIG. 1 is a front elevational view of a D. C. power pack showing our new design;

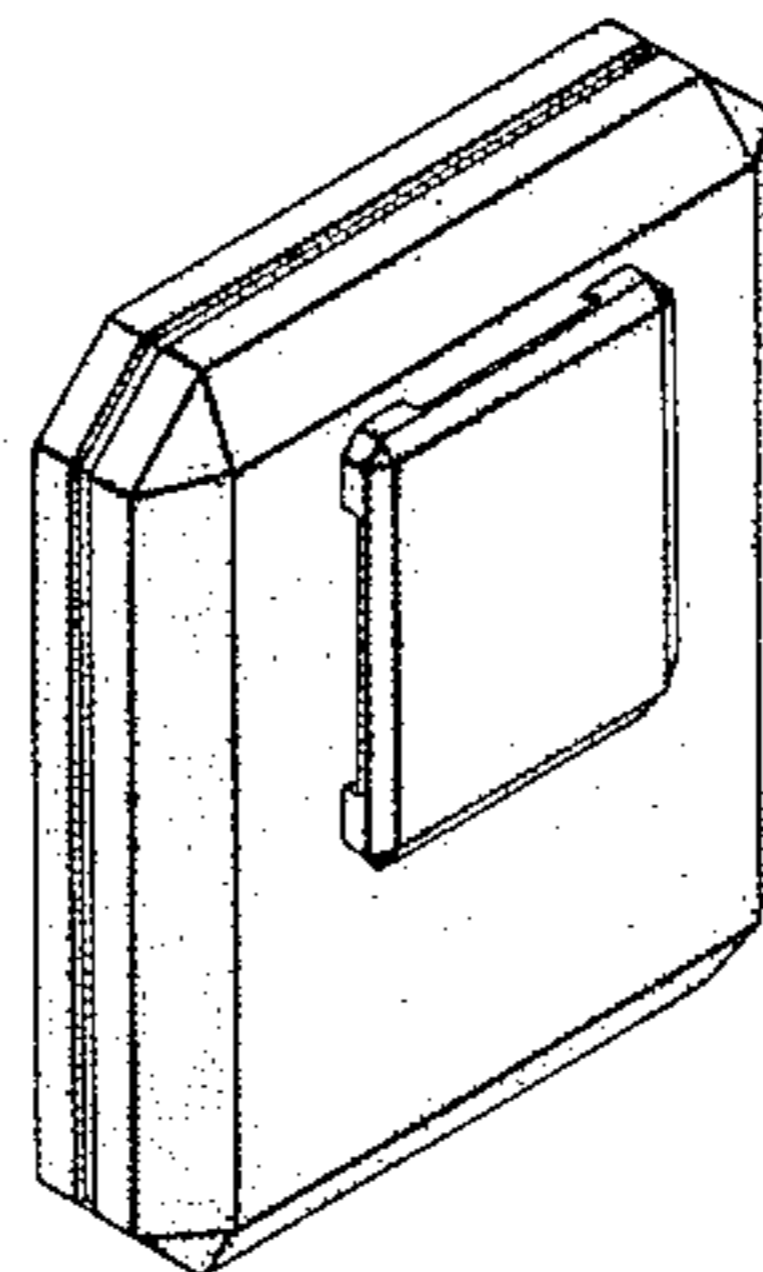
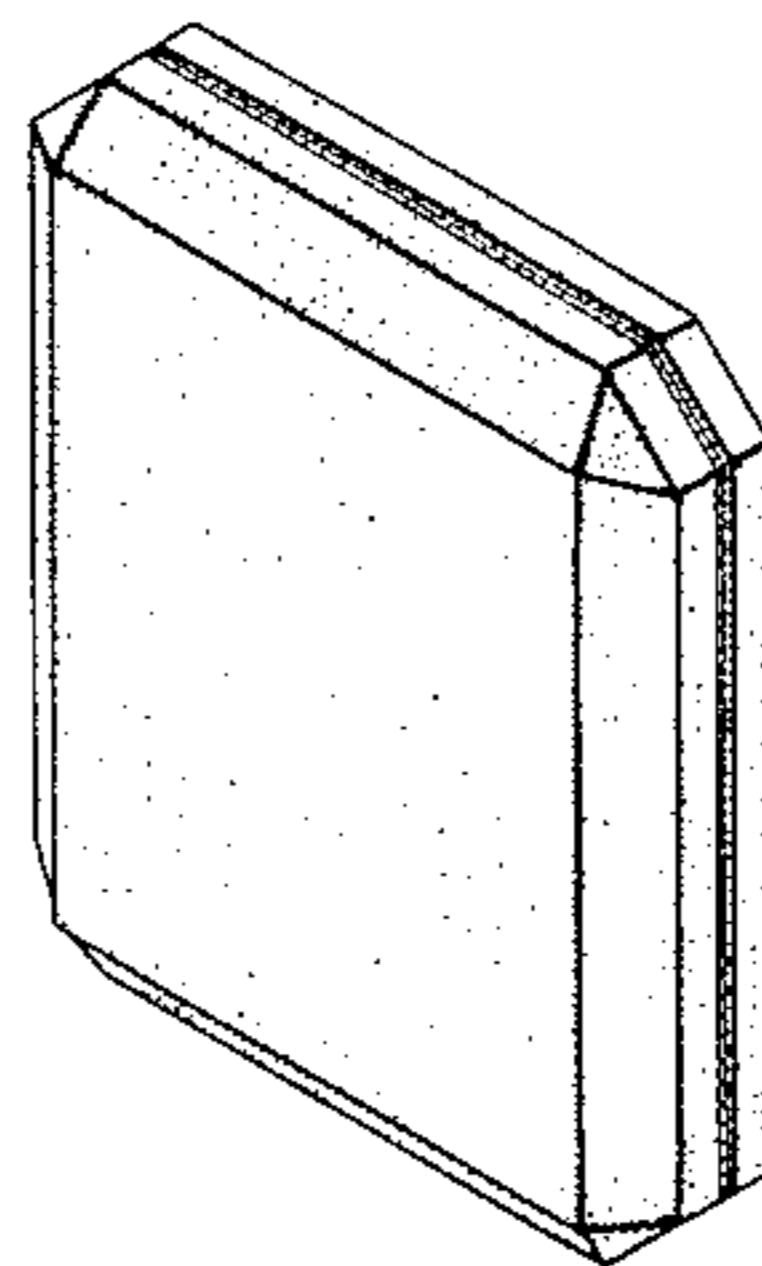
FIG. 2 is a side elevational view thereof, the other side being a mirror image;

FIG. 3 is an end elevational view thereof, the other end being a mirror image;

FIG. 4 is a rear elevational view thereof;

FIG. 5 is a front perspective view thereof; and

FIG. 6 is a rear perspective view thereof.



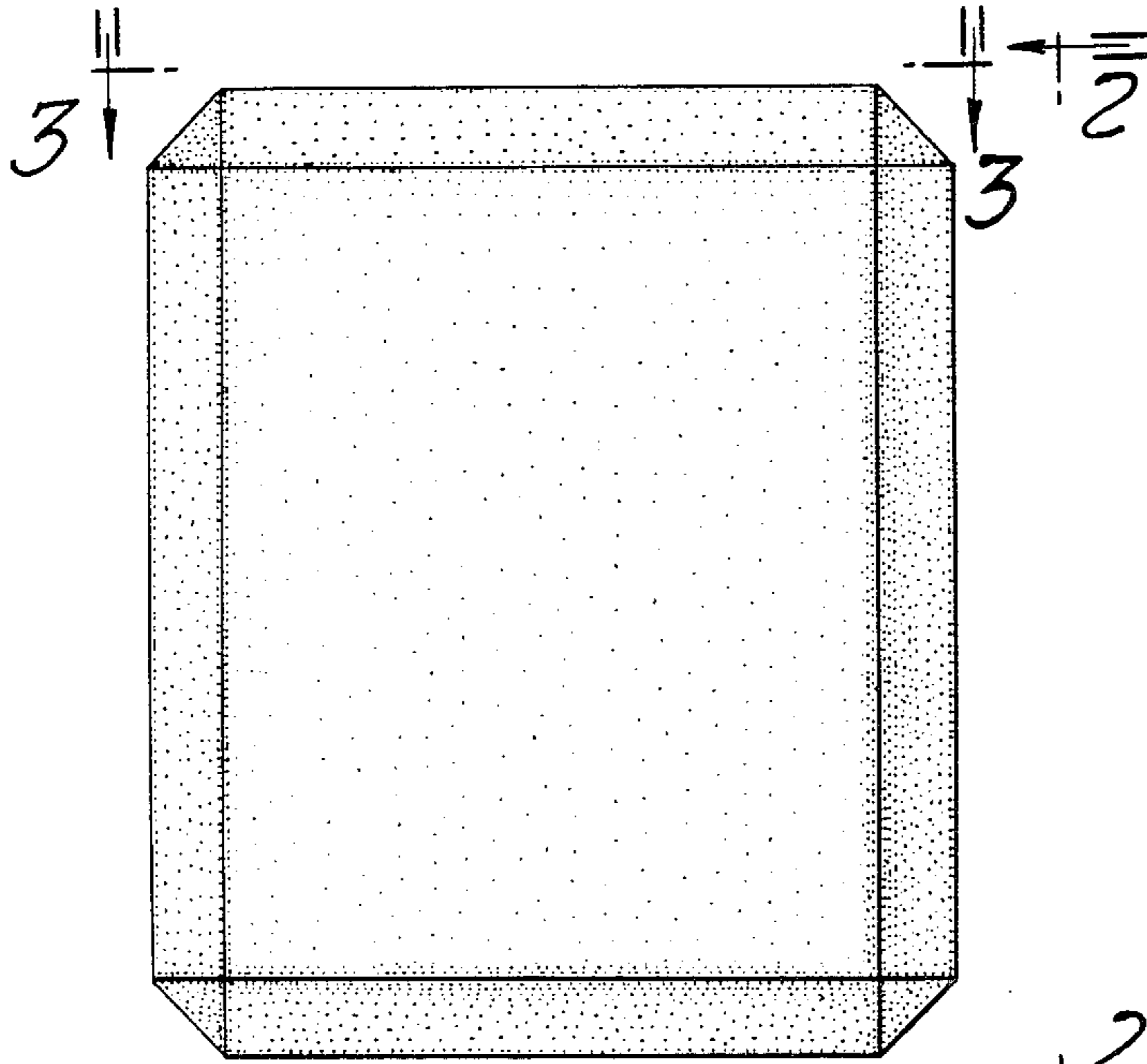


Fig. 1

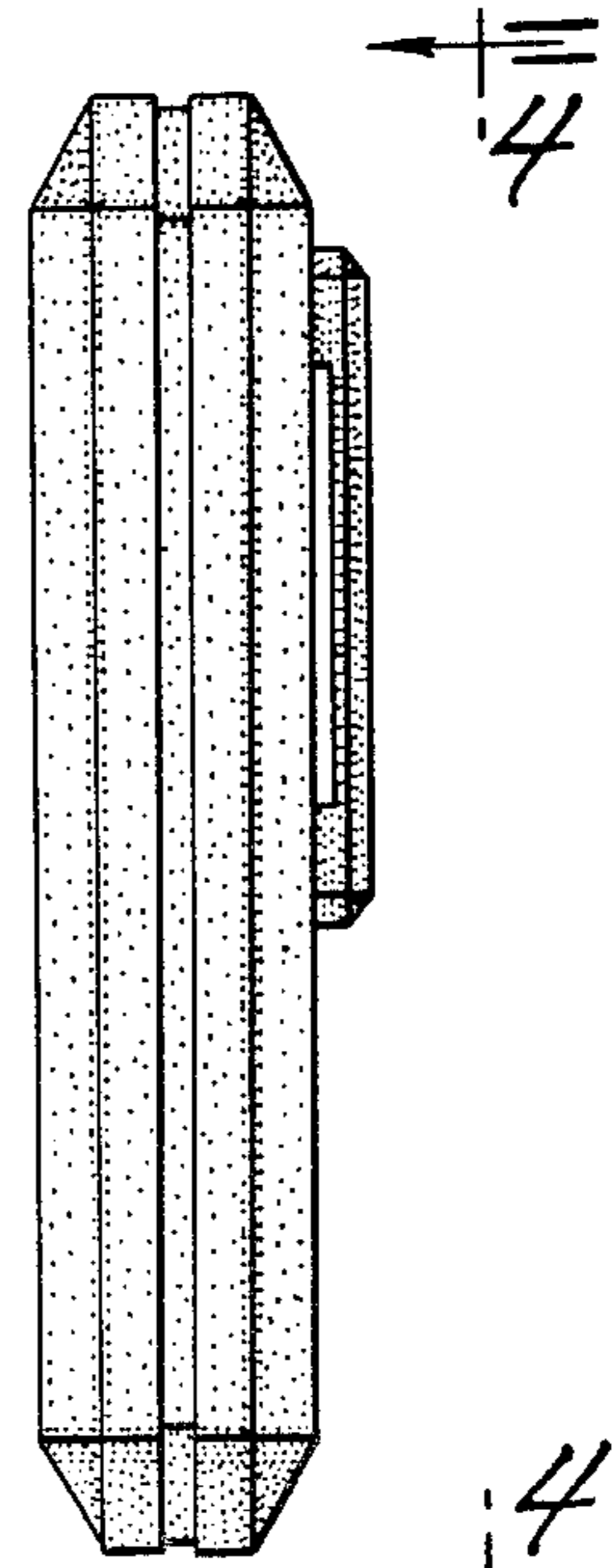


Fig. 2

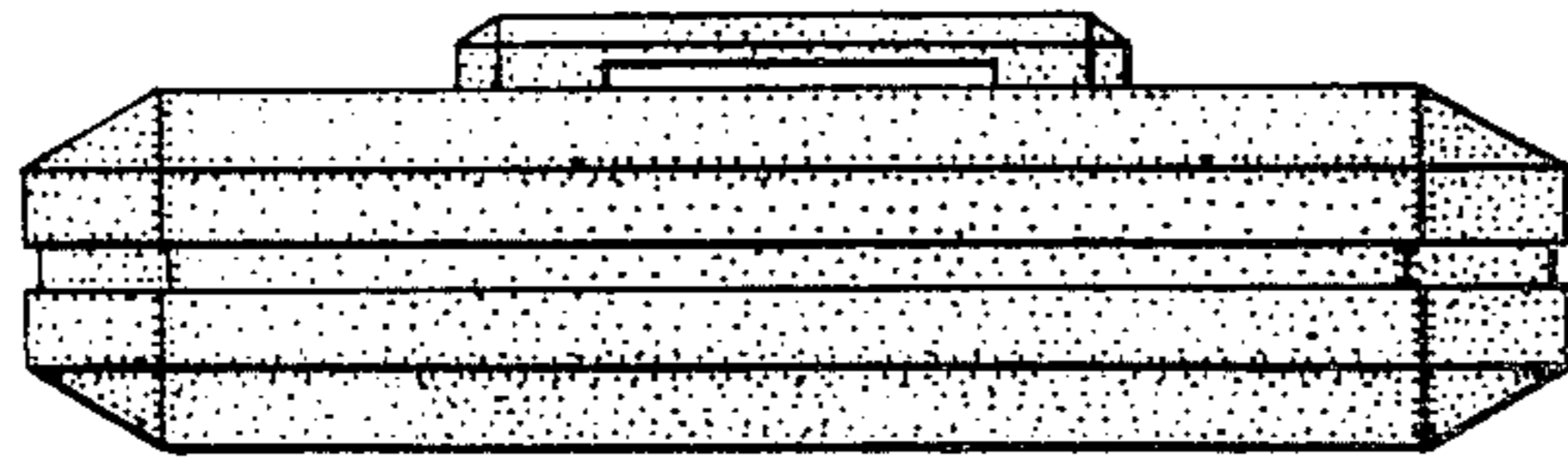


Fig. 3

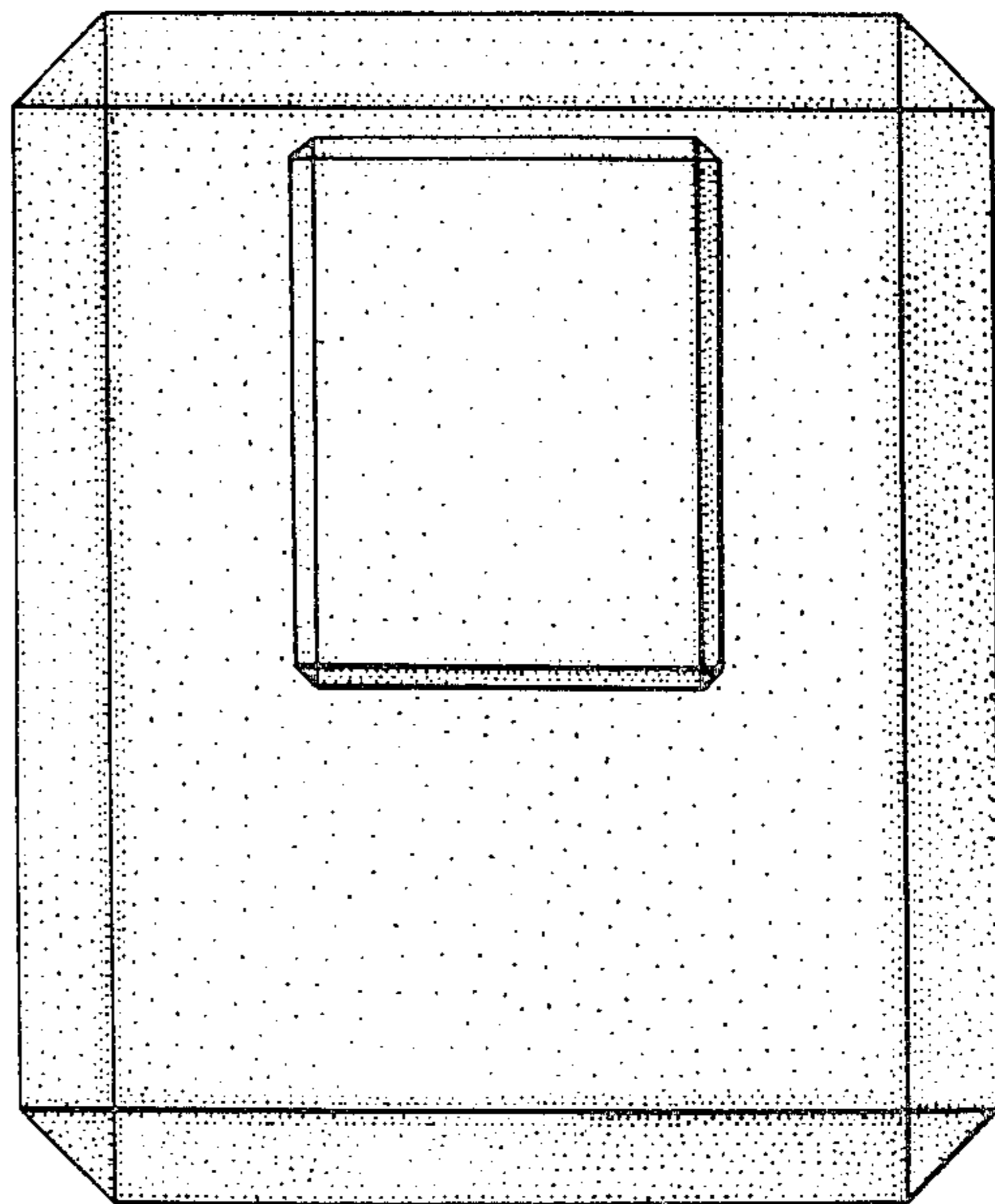


Fig. 4

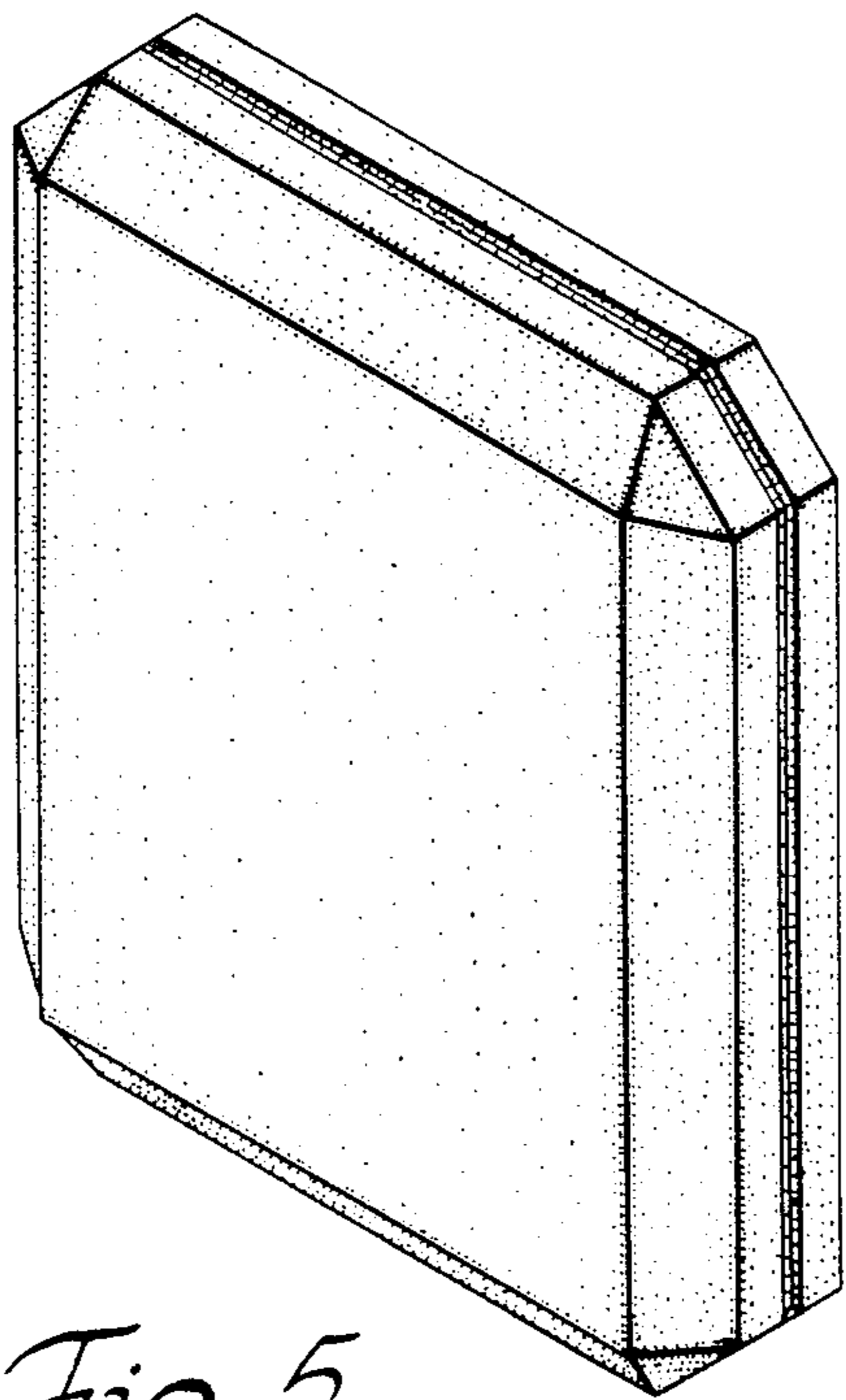


Fig. 5

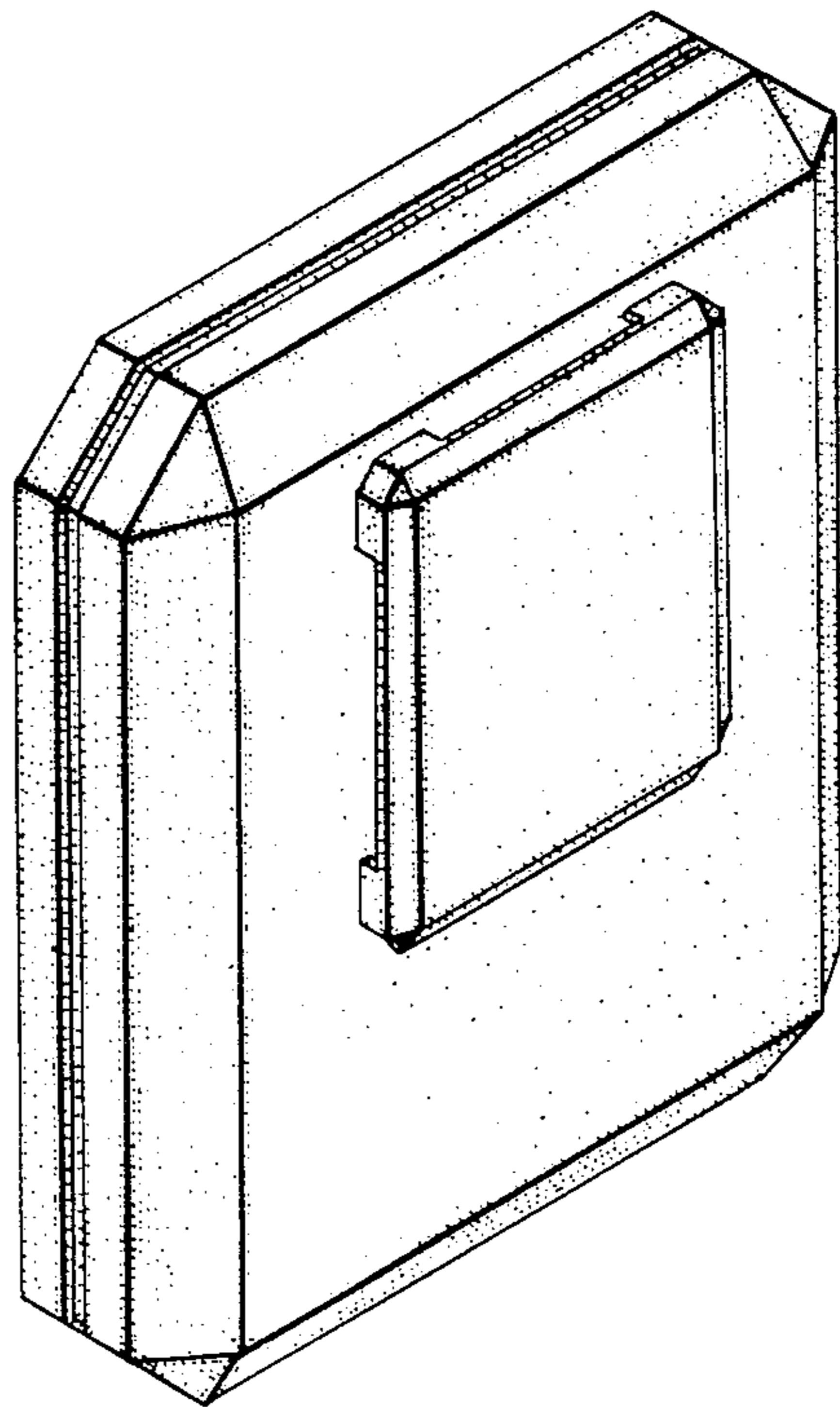


Fig. 6