

[54] RIM FOR BICYCLES

[76] Inventor: Masaki Hashimoto, c/o Kansai-kohjo of Araya Kogyo Kabushikikaisha 1-1-Takeshima, Nishiyodogawa-ku, Osaka-shi, Osaka-fu, Japan

[**] Term: 14 Years

[21] Appl. No.: 557,931

[22] Filed: Dec. 5, 1983

[30] Foreign Application Priority Data

Sep. 27, 1983 [JP] Japan 58-42031
[52] U.S. Cl. D12/208
[58] Field of Search D12/208; 301/96, 97

[56] References Cited

U.S. PATENT DOCUMENTS

2,477,833 8/1949 Schwinn 301/97

FOREIGN PATENT DOCUMENTS

1063506 12/1953 France 301/97
201024 10/1961 Japan .

287888 11/1968 Japan .
478351 6/1978 Japan .
478351 8/1981 Japan .
558105 8/1981 Japan .
478351 3/1983 Japan .
478351 8/1983 Japan .

OTHER PUBLICATIONS

Bike Nashbar Catalog, p. 27, Rieida 13 mm Clincher Rim, center left side of page.

Primary Examiner—James M. Gandy

[57] CLAIM

The ornamental design for a rim for bicycles, as shown.

DESCRIPTION

FIG. 1 is a side elevational view of a rim for bicycles showing my design;
FIG. 2 is a top plan view thereof;
FIG. 3 is a bottom plan view thereof;
FIG. 4 is an enlarged sectional view taken along line 4—4 of FIG. 1;
FIG. 5 is an enlarged sectional view taken along line 5—5 of FIG. 1;
FIG. 6 is an enlarged fragmentary perspective view of a portion of the rim.

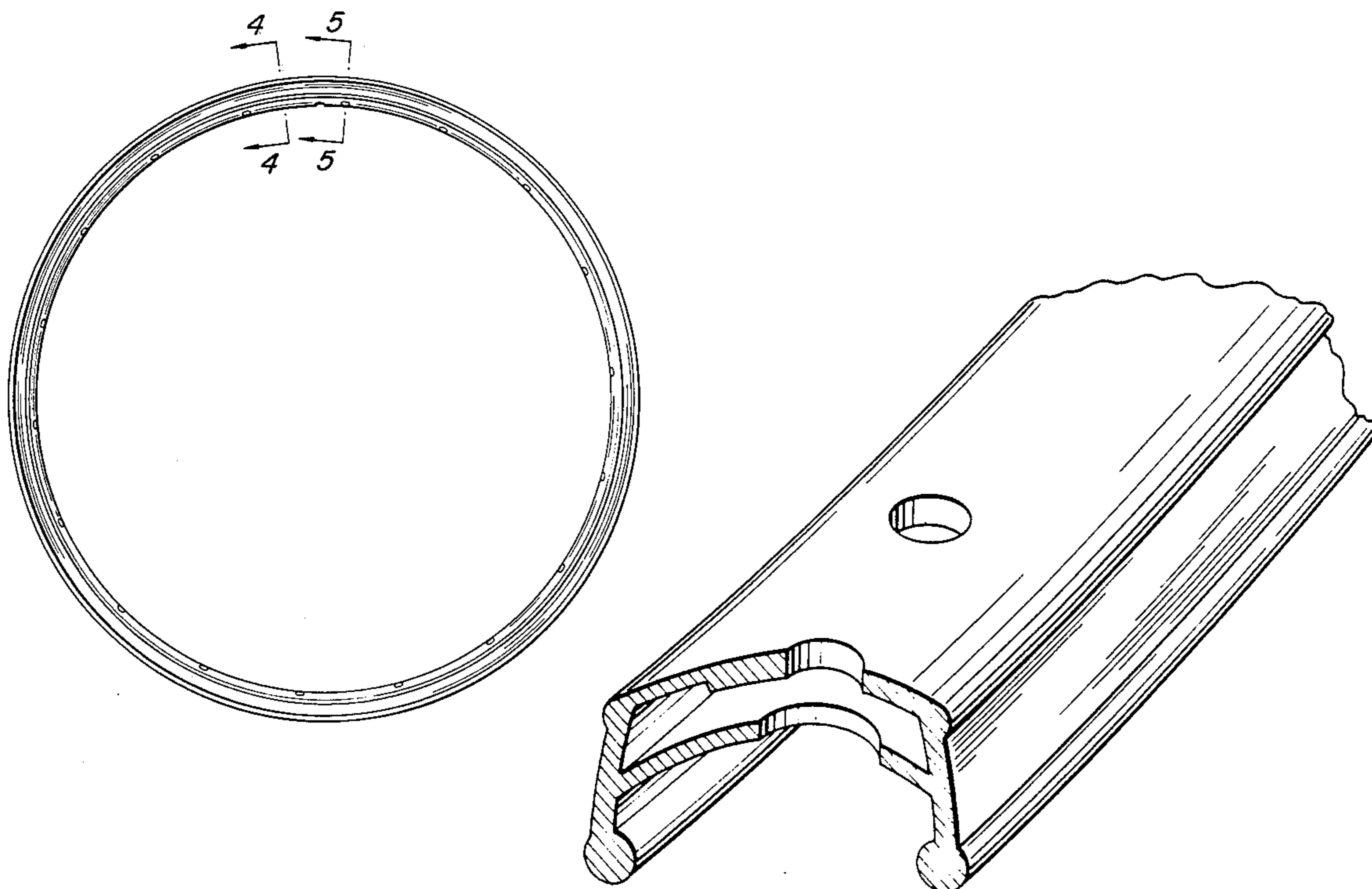


FIG. 1

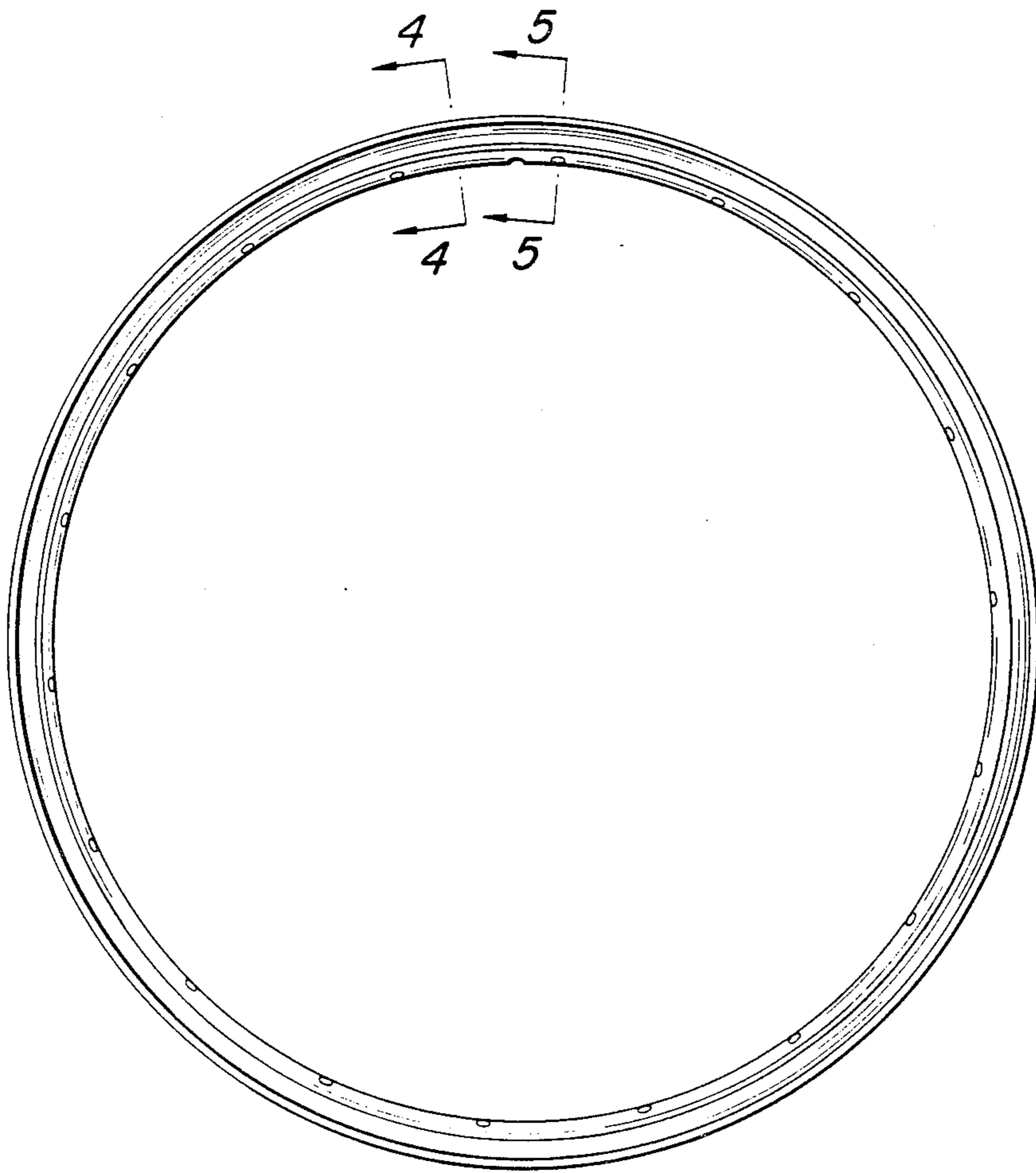


FIG. 2



FIG. 3



FIG. 4

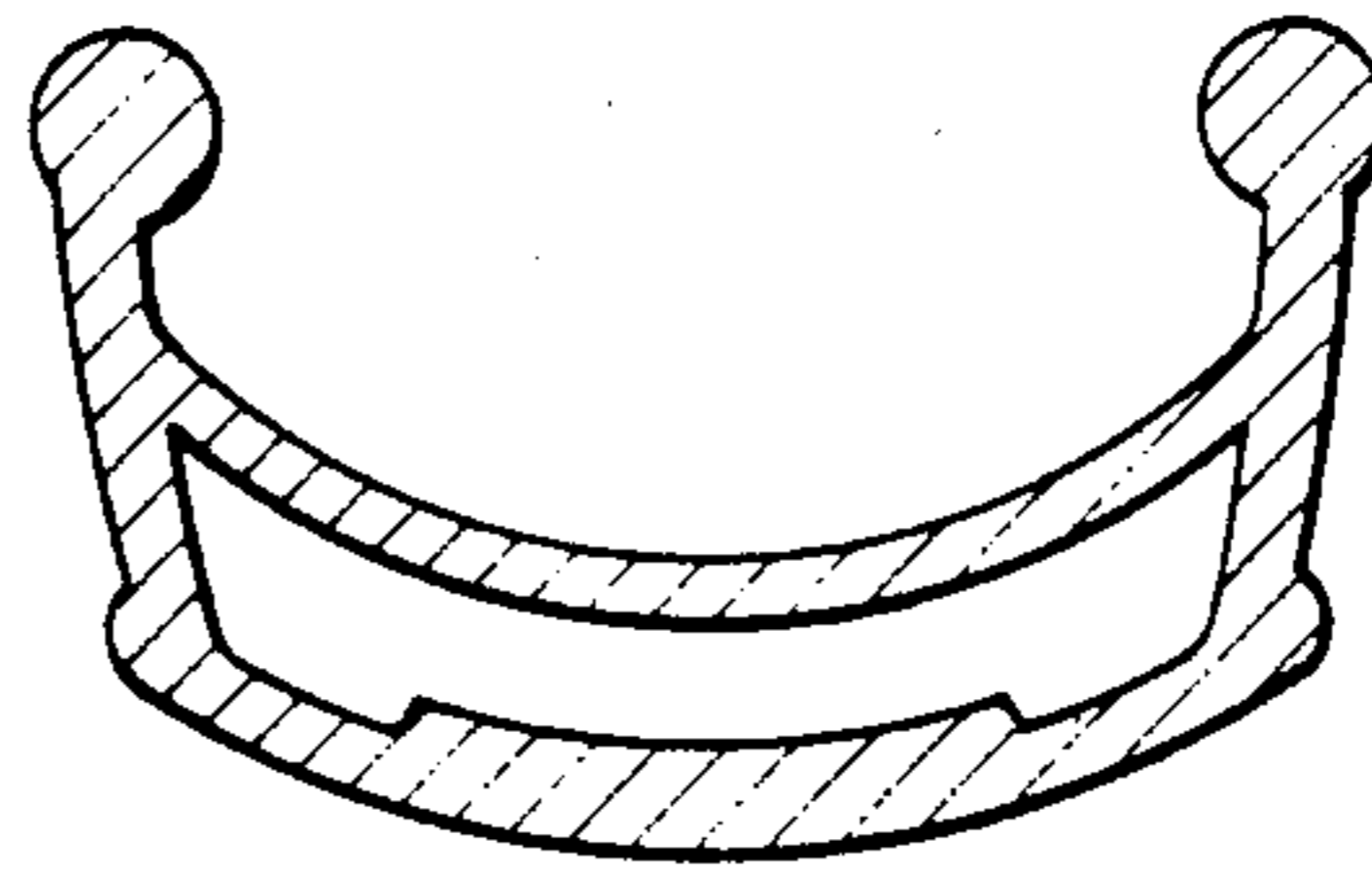


FIG. 5

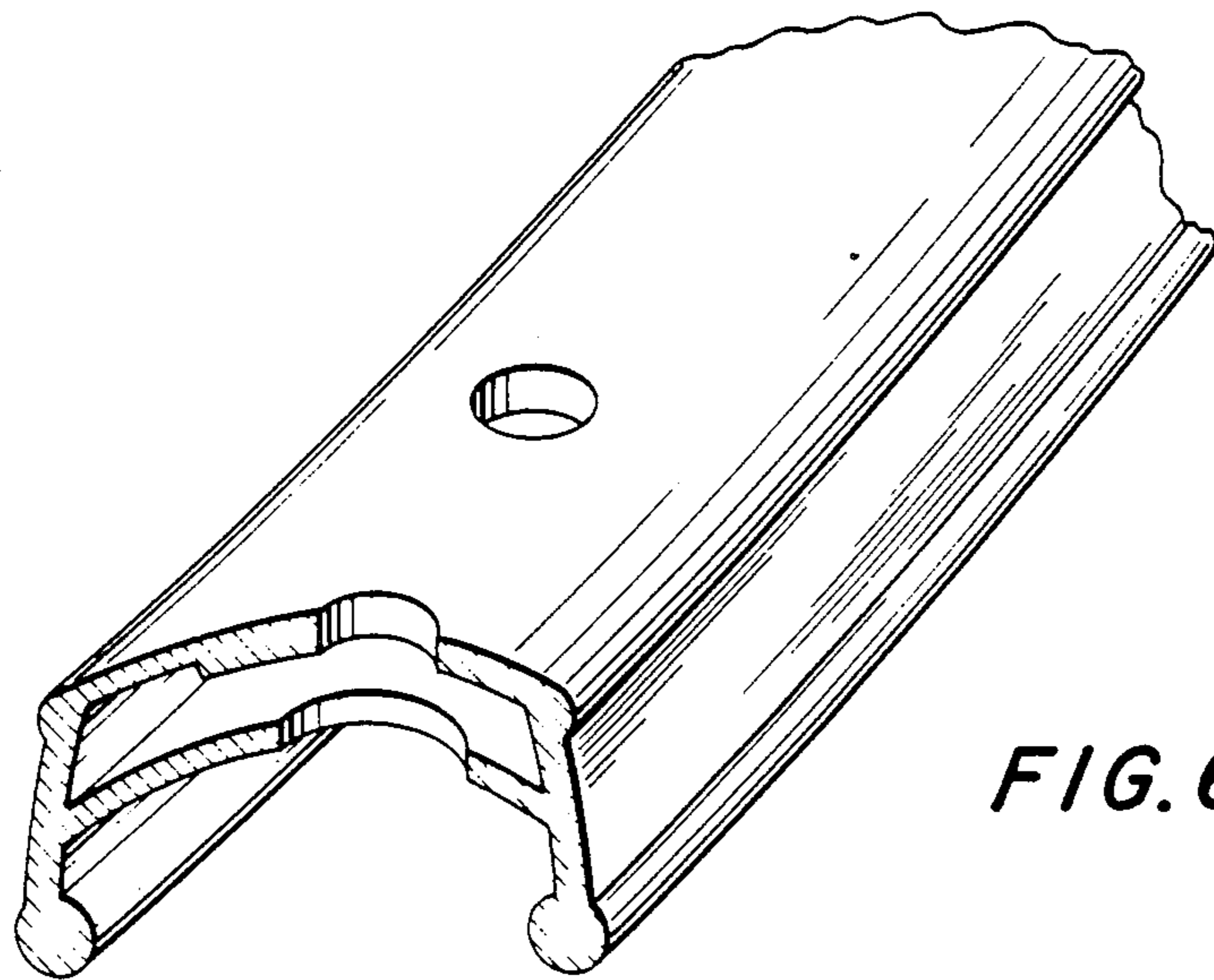
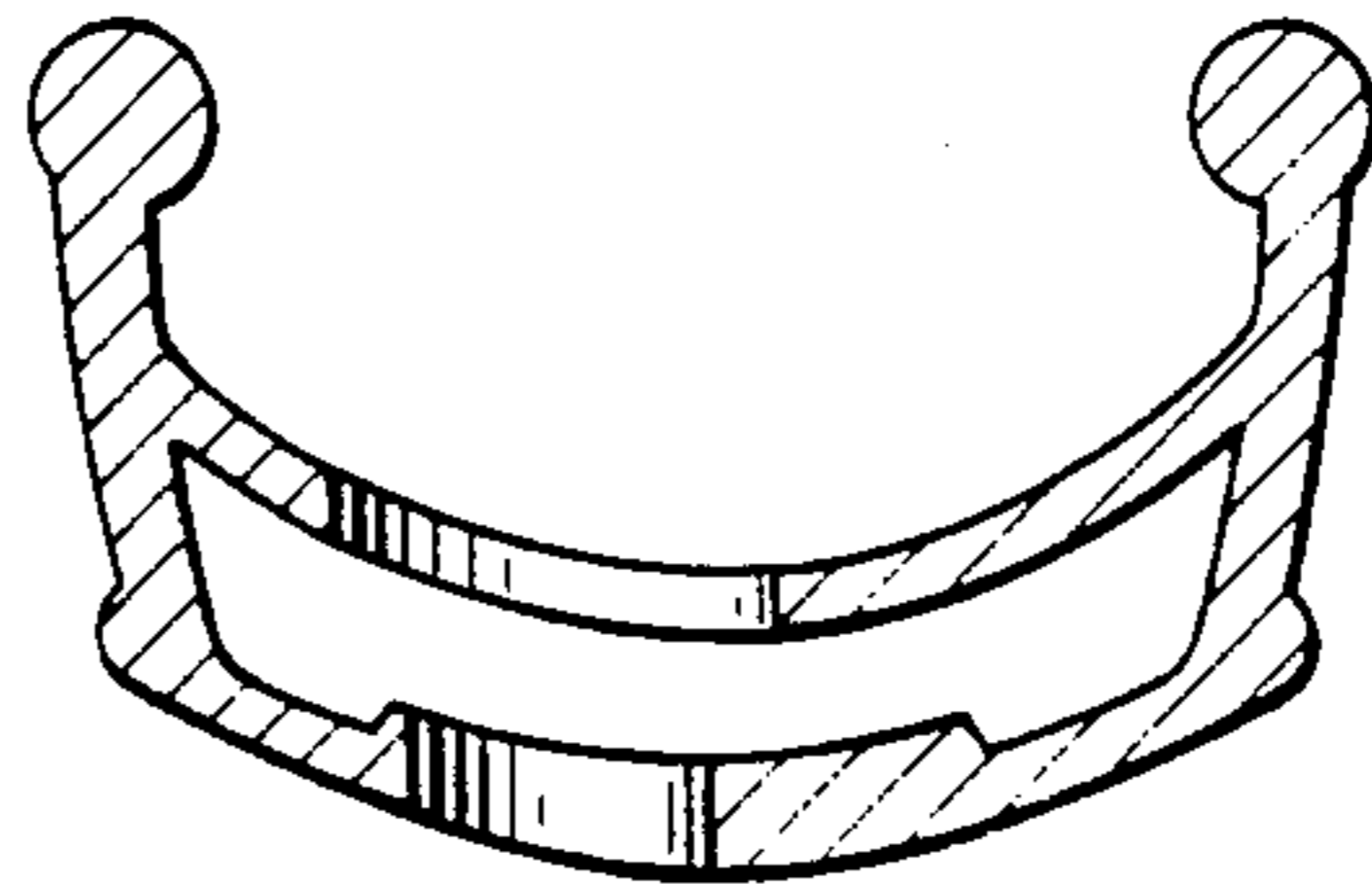


FIG. 6