

[54] **CABLE CAR CABIN**

[75] **Inventor: Roland Roc, Veurey, France**

[73] **Assignee: Etablissements Montaz Mautino,
Fontaine, France**

[**] **Term: 14 Years**

[21] **Appl. No.: 498,175**

[22] **Filed: May 24, 1983**

[30] **Foreign Application Priority Data**

Dec. 2, 1982 [FR] France 824187
[52] **U.S. Cl.** **D12/52**
[58] **Field of Search** **D12/52; 105/329 S;
D25/1**

[56] **References Cited**

U.S. PATENT DOCUMENTS

4,409,905 10/1983 Zerbi 105/329 S

Primary Examiner—James M. Gandy
Attorney, Agent, or Firm—Young & Thompson

[57] **CLAIM**

The ornamental design for a cable car cabin, as shown and described.

DESCRIPTION

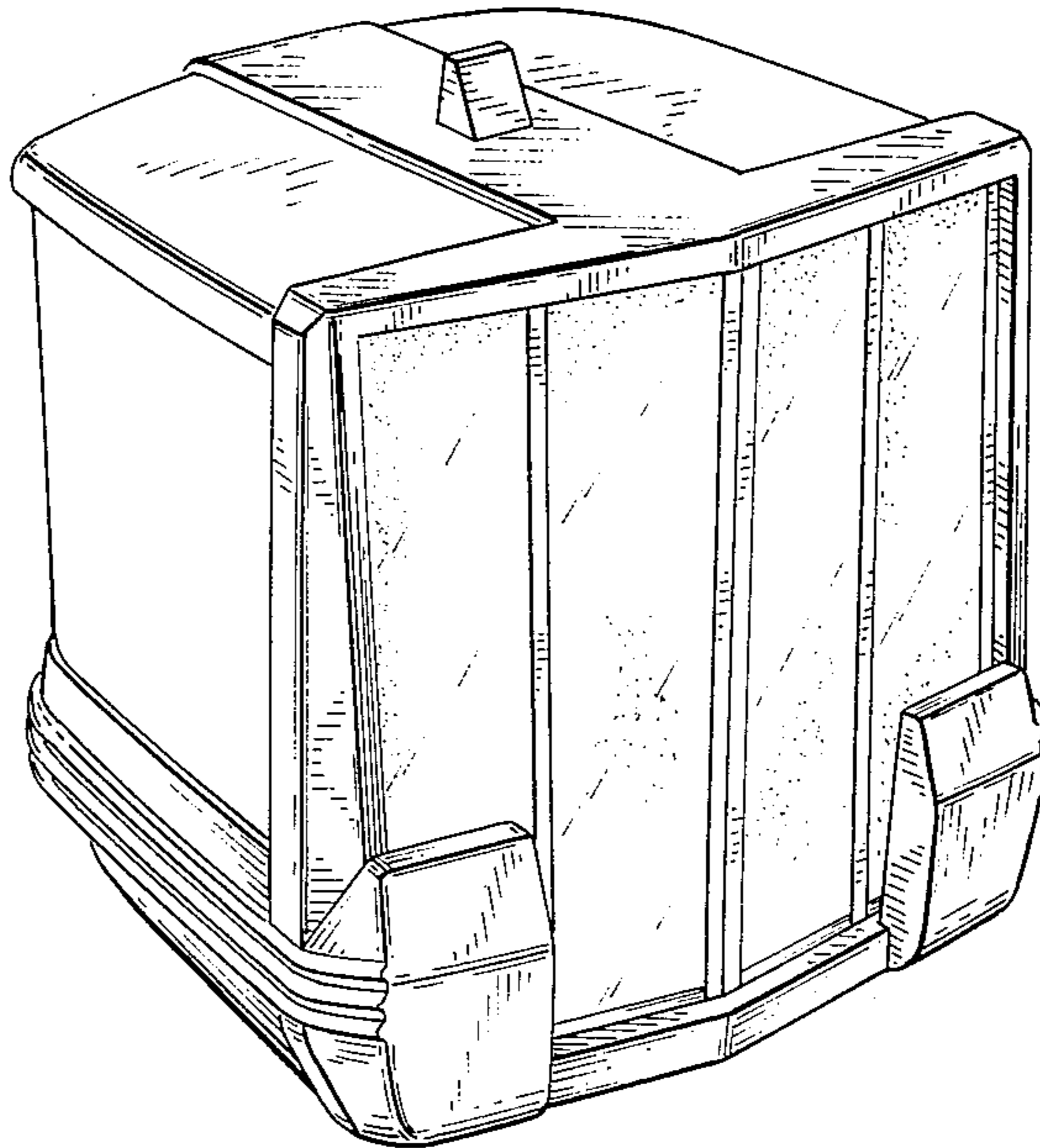
FIG. 1 is a top perspective view of a cable car cabin showing my new design;

FIG. 2 is a bottom perspective view thereof;

FIG. 3 is a bottom perspective view from the side opposite that shown in FIG. 2; and

FIG. 4 is a side elevational view thereof.

The side opposite that shown in FIG. 4 is the mirror image of FIG. 4.



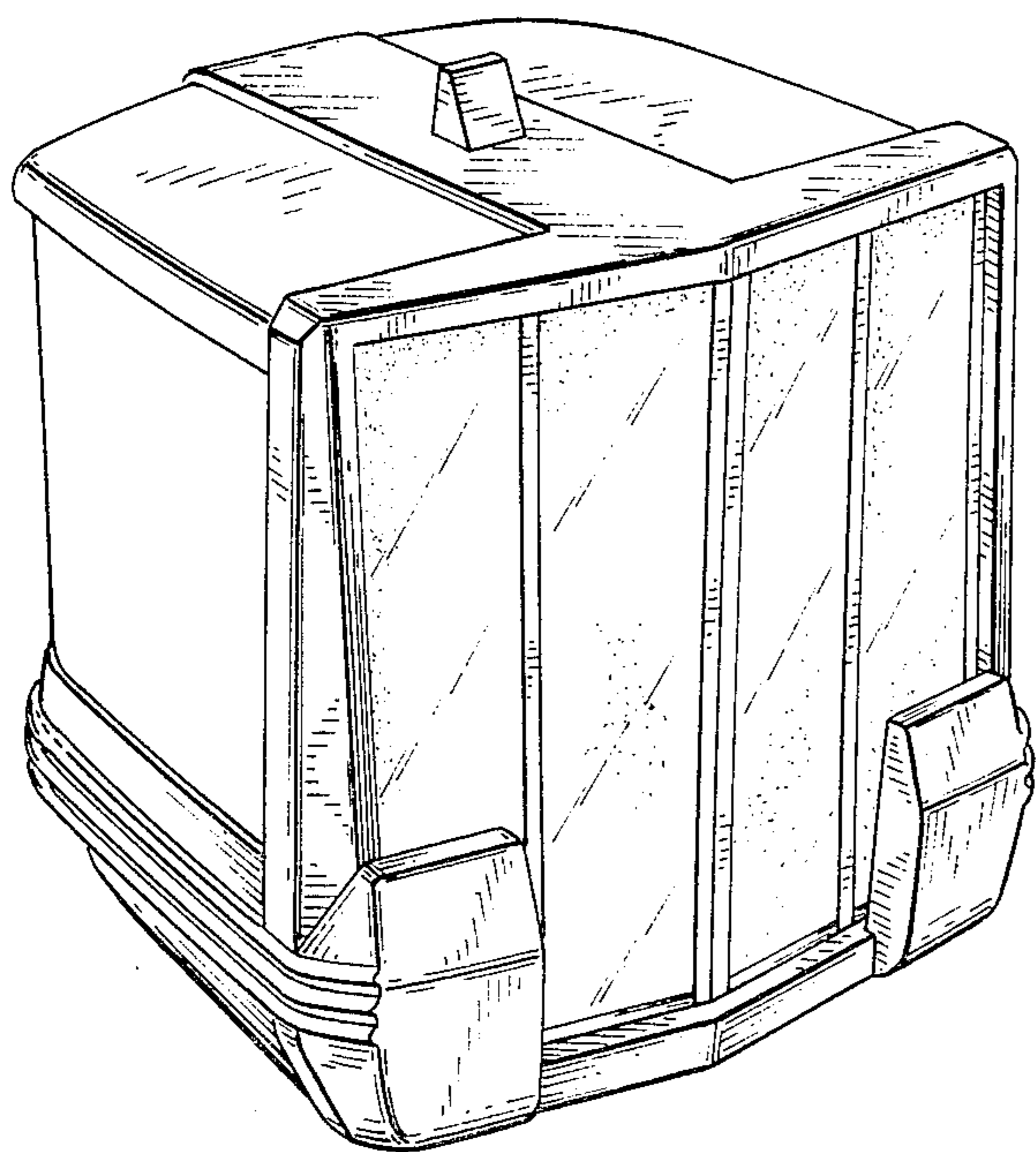


FIG. 1

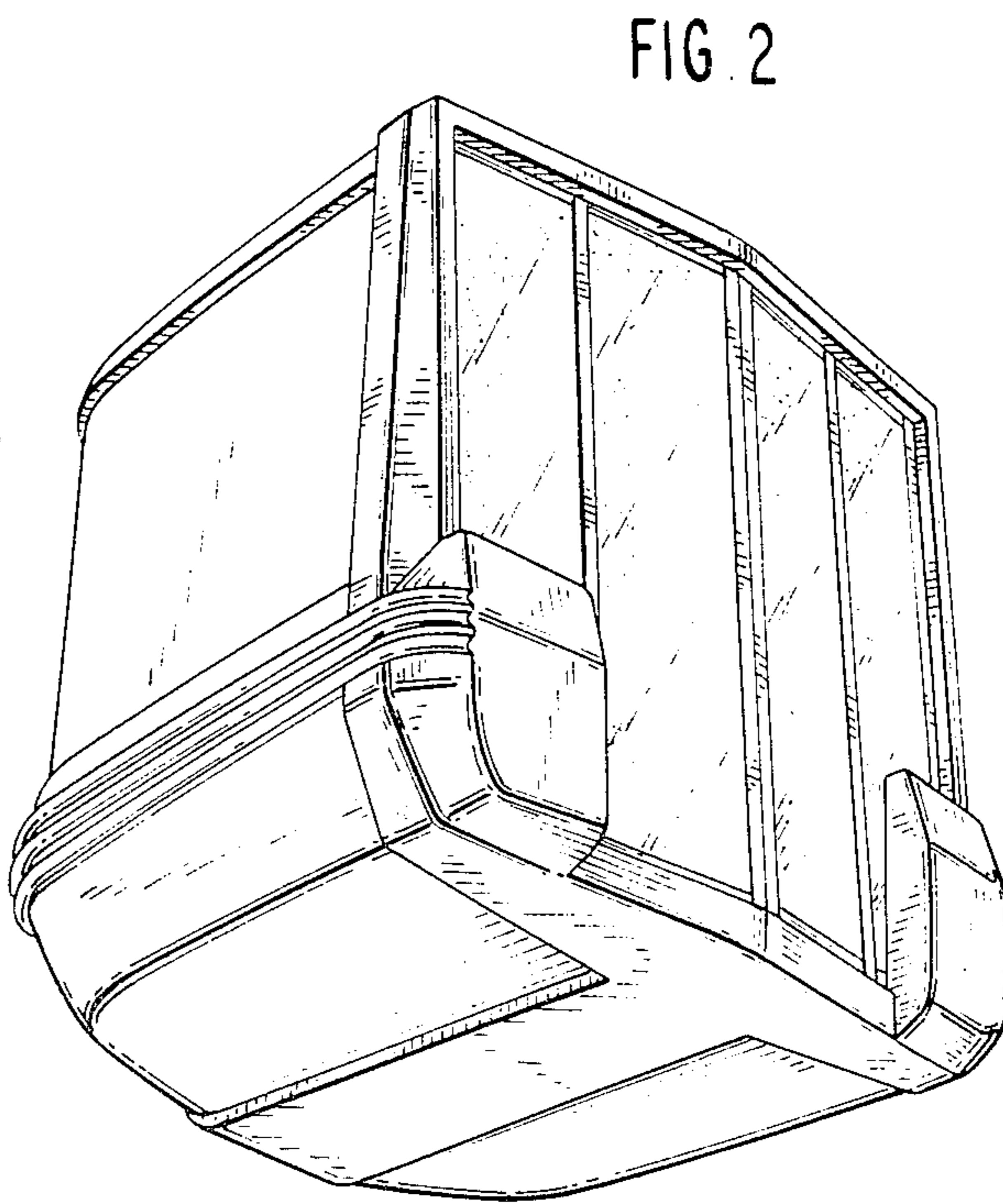


FIG. 2

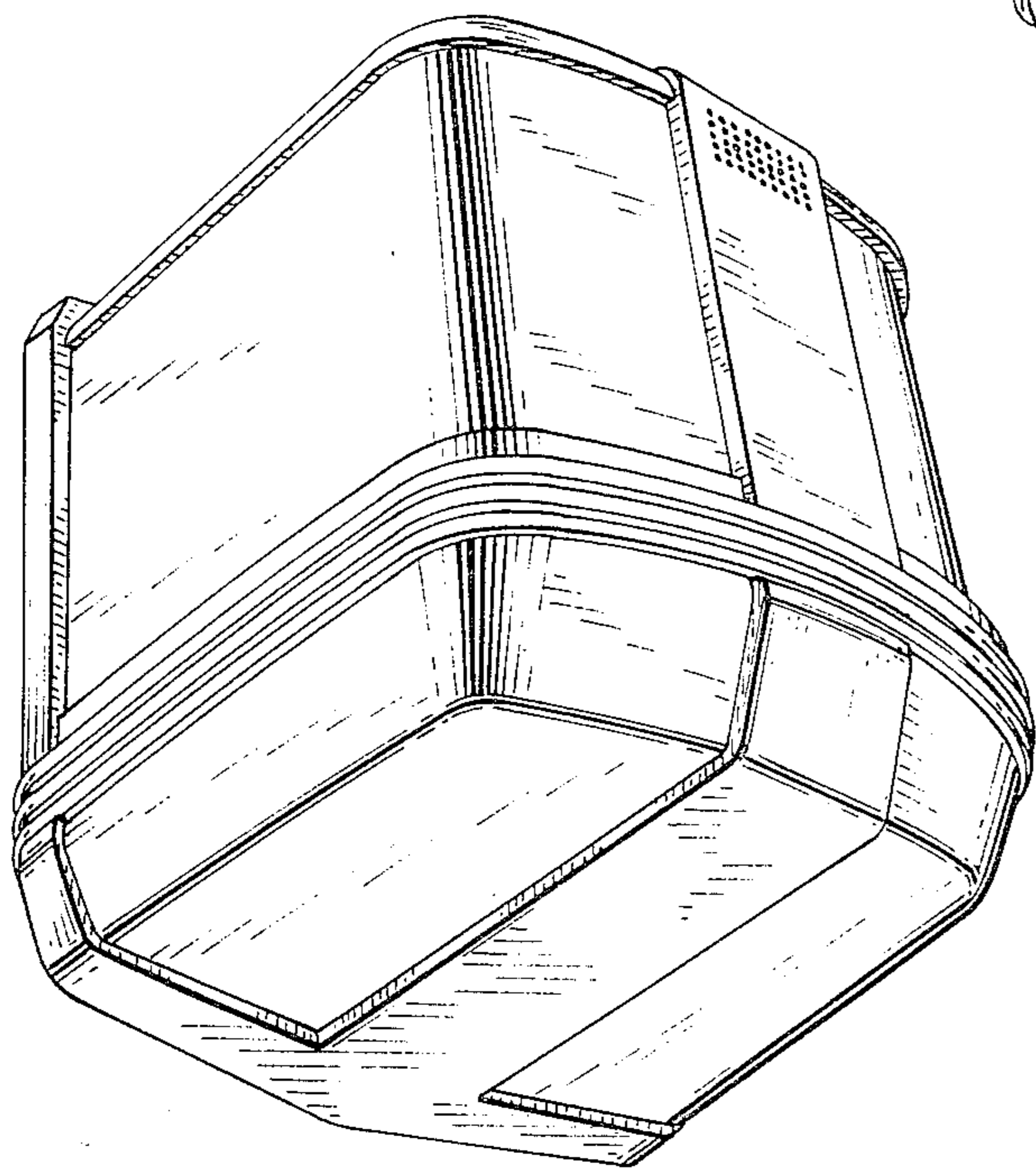


FIG. 3

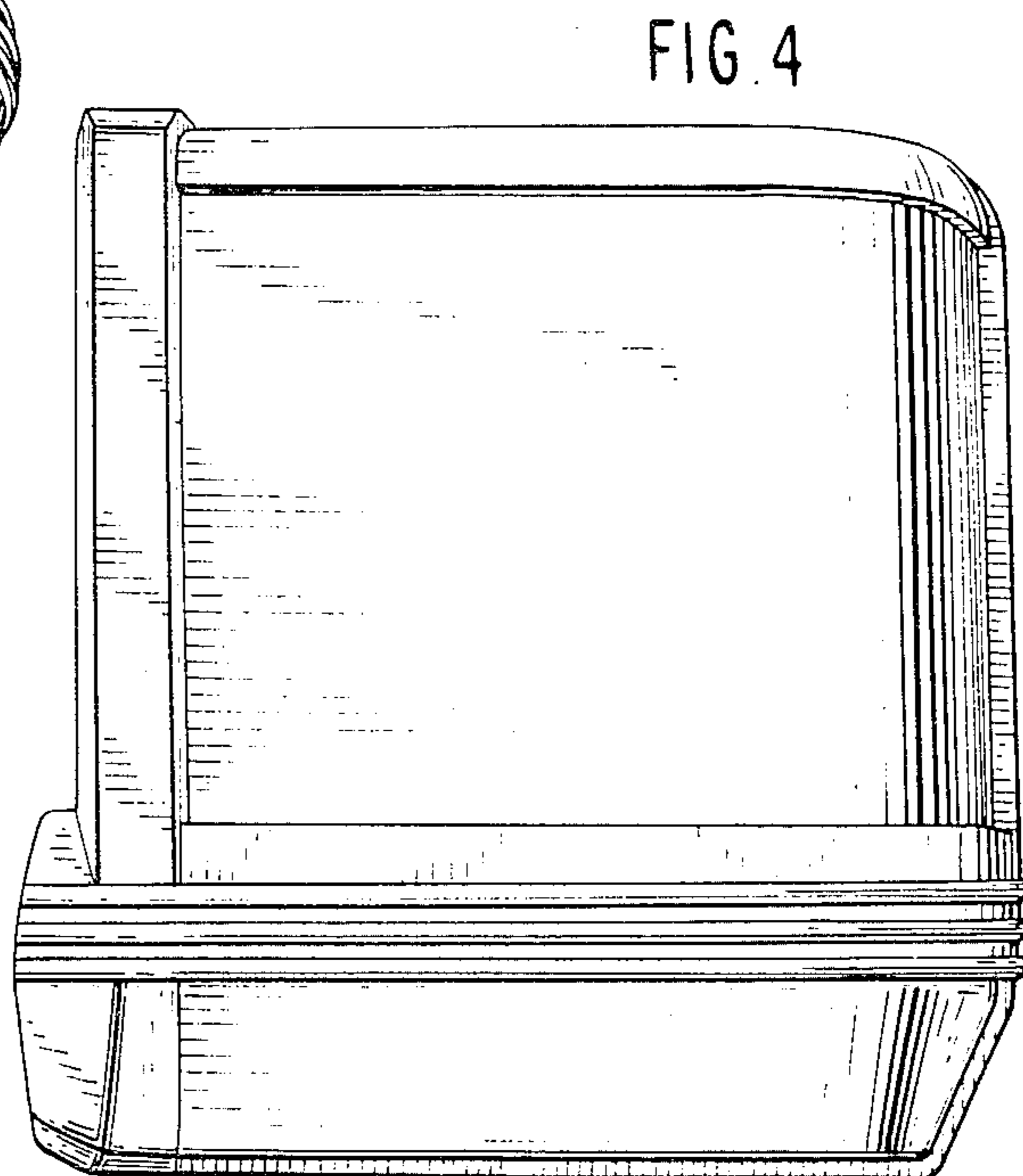


FIG. 4