

[54] WATER LEVEL FLOAT FOR USE IN PLANTERS

4,219,269 8/1980 Bernhardt ..... 73/322  
4,270,309 6/1981 Baumann ..... 47/63

[76] Inventor: Arthur R. Carlson, East Malvern, Victoria, Australia

Primary Examiner—B. J. Bullock  
Attorney, Agent, or Firm—Walter H. Schneider

[\*\*] Term: 14 Years

[57] CLAIM

[21] Appl. No.: 472,154

The ornamental design for a water level float for use in planters, as shown and described.

[22] Filed: Mar. 4, 1983

[52] U.S. Cl. .... D11/164

[58] Field of Search ..... D11/164; 47/63, 66, 47/79, 80; 73/322, 322.5

DESCRIPTION

FIG. 1 is a front elevational view of a water level float for use in planters showing my new design;

FIG. 2 is a side elevational view taken from the left of FIG. 1;

FIG. 3 is a top plan view thereof;

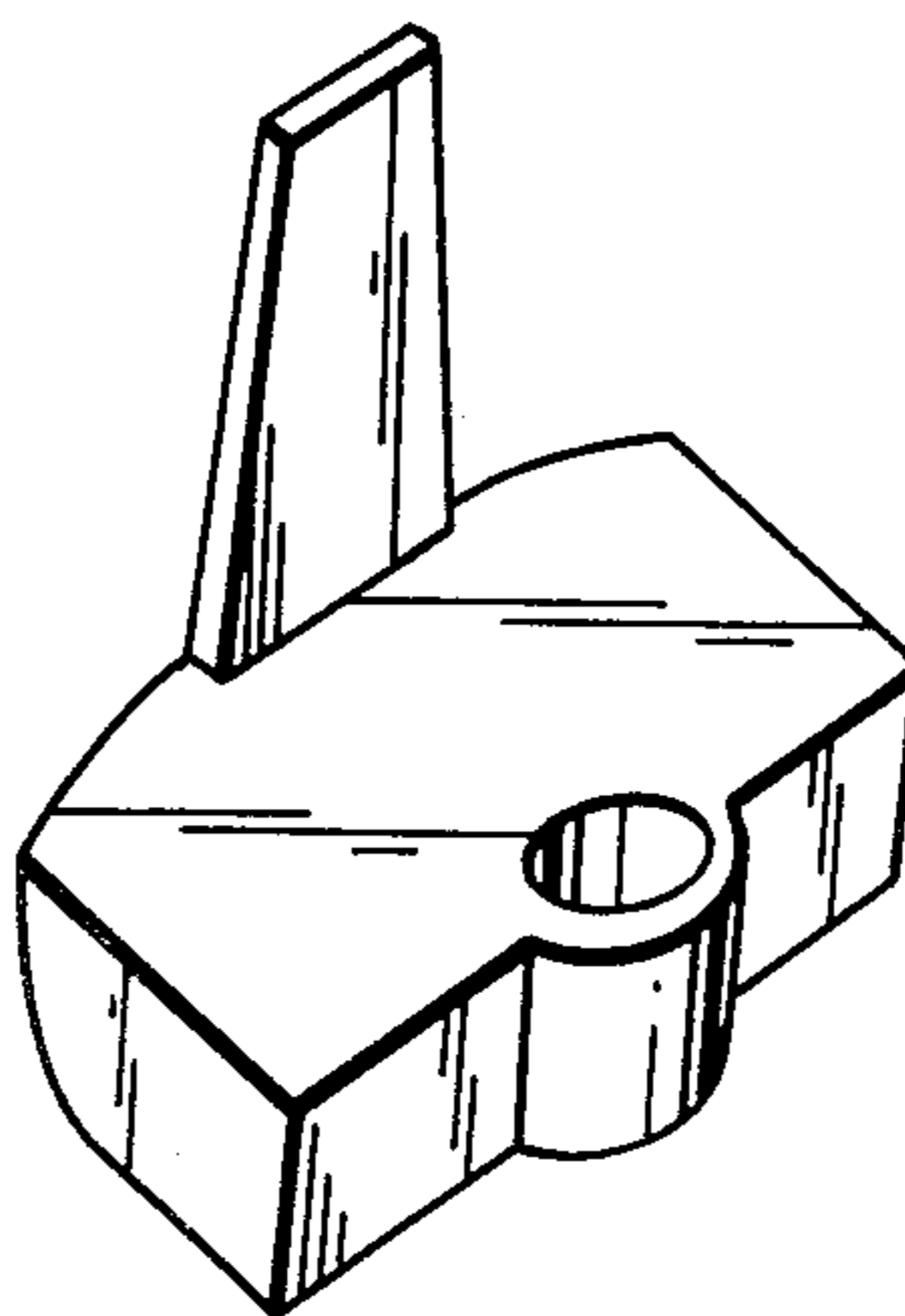
FIG. 4 is a perspective view thereof.

The rear and bottom of the float are unornamented and the surfaces follow the contours visible in FIGS. 1-4.

[56] References Cited

U.S. PATENT DOCUMENTS

2,499,885 3/1950 Sommer ..... 73/322.5  
2,801,541 8/1957 Moreland ..... 73/322.5  
4,171,593 10/1979 Bigglestone ..... 73/322.5



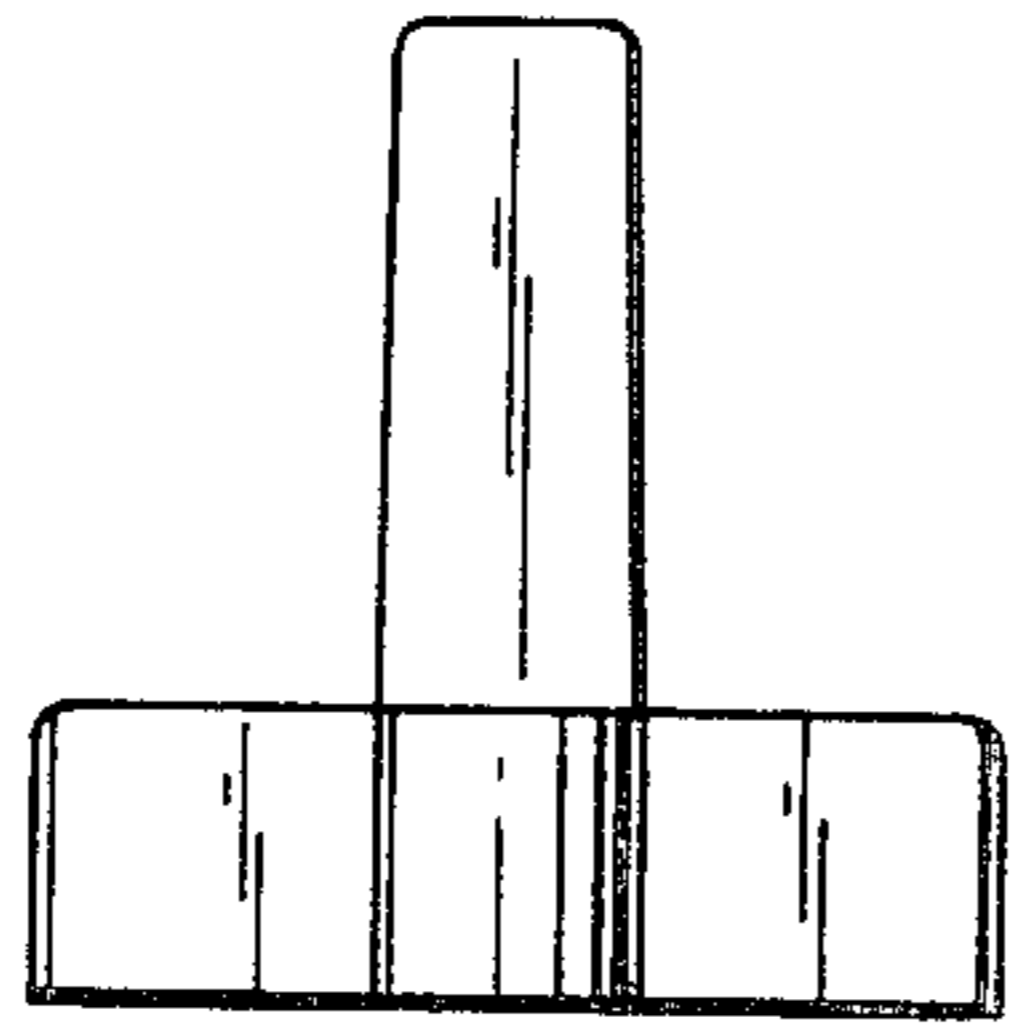


FIG. 1

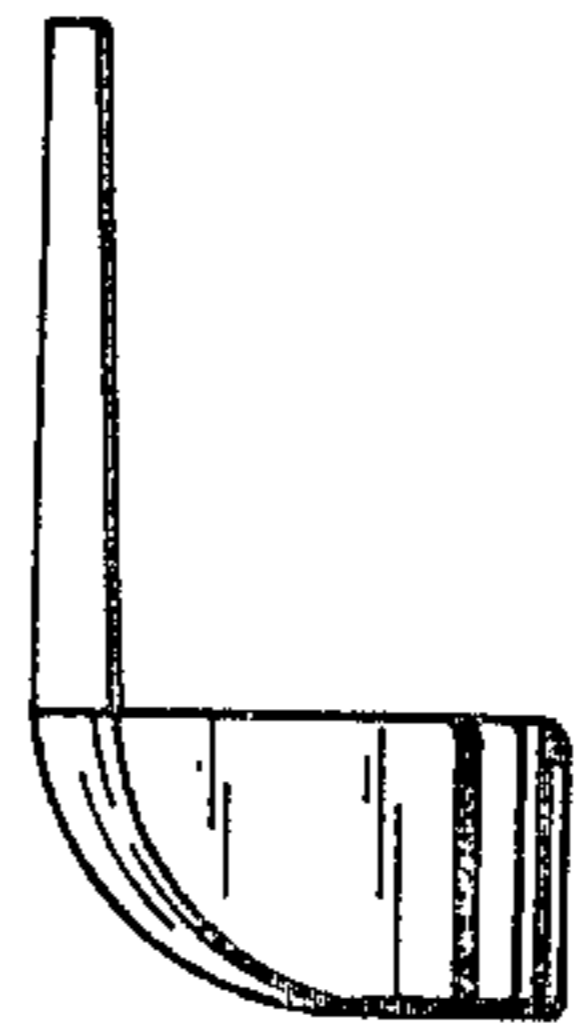


FIG. 2

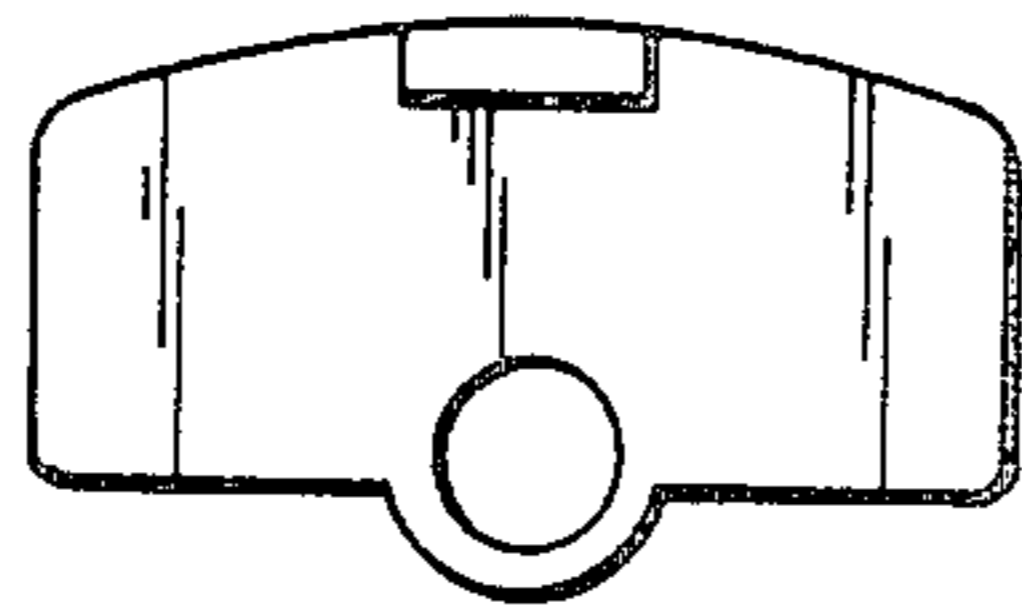


FIG. 3

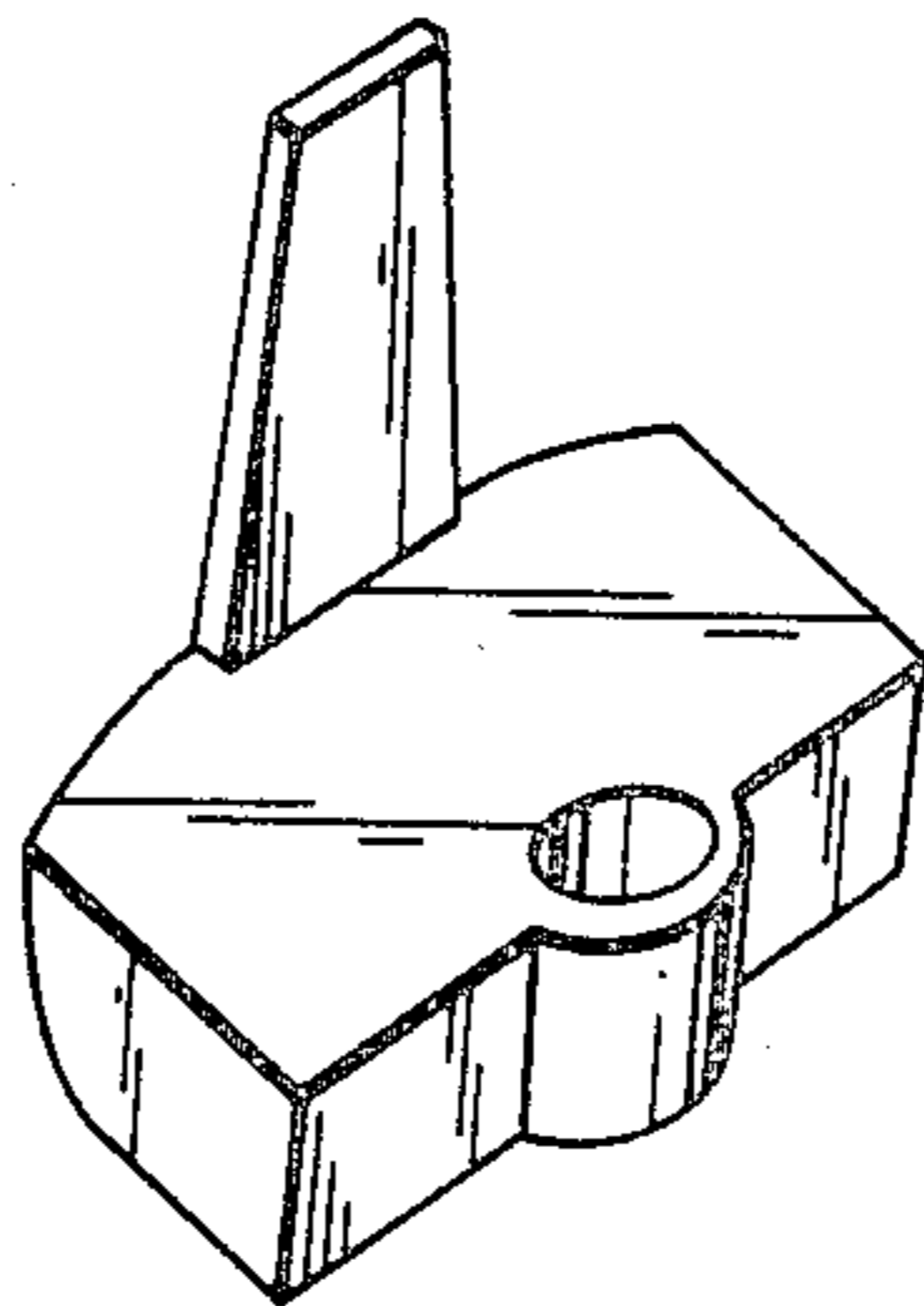


FIG. 4