

[54] NUT

[75] Inventor: Edward J. Newman, Pelham, N.Y.

[73] Assignee: Coats & Clark, Inc., Stamford, Conn.

[**] Term: 14 Years

[21] Appl. No.: 347,920

[22] Filed: Feb. 11, 1982

[52] U.S. Cl. D8/397

[58] Field of Search D8/397, 399; 411/427, 411/429, 430, 431, 435, 531-547

[56] References Cited

U.S. PATENT DOCUMENTS

D. 43,713	3/1913	Campbell	D8/397
D. 198,713	7/1964	Curtiss	D8/397
D. 217,540	5/1970	Weise	D8/397

OTHER PUBLICATIONS

Shur-Lok Fastener Cat., Ninth Ed., Cat. Section 4; SL61N Series Bearing Nut ©1973.

Primary Examiner—B. J. Bullock

Attorney, Agent, or Firm—Burgess, Ryan & Wayne

[57] CLAIM

The ornamental design for a nut, substantially as shown and described.

DESCRIPTION

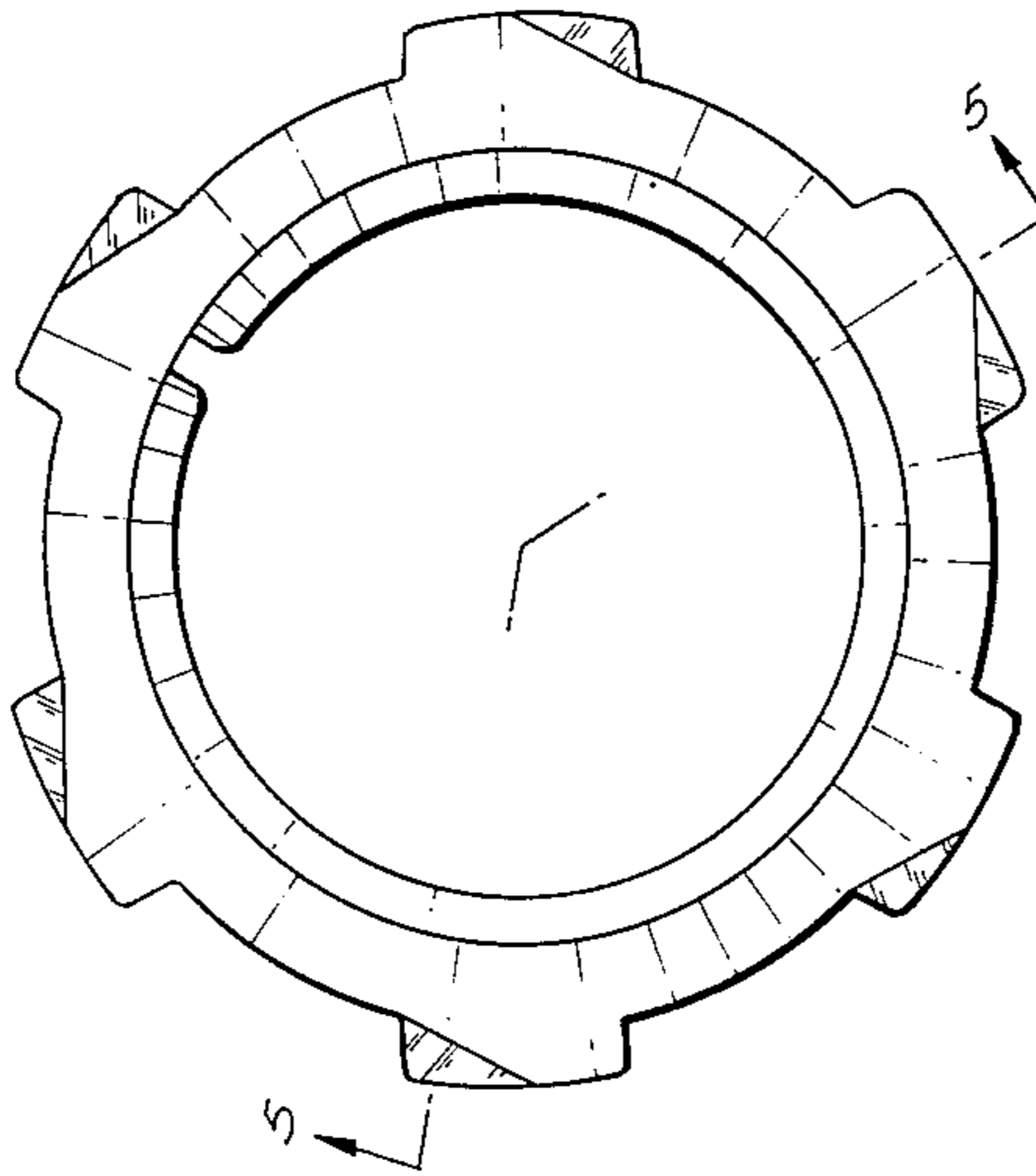
FIG. 1 is a top plan view of a nut showing my new design;

FIG. 2 is a bottom plan view thereof;

FIG. 3 is a side elevational view taken from the right of FIG. 1; the side opposite being a mirror image;

FIG. 4 is a front elevational view thereof, the rear being a mirror image; and

FIG. 5 is a sectional view taken in the direction of the arrows on line 5—5 of FIG. 1.



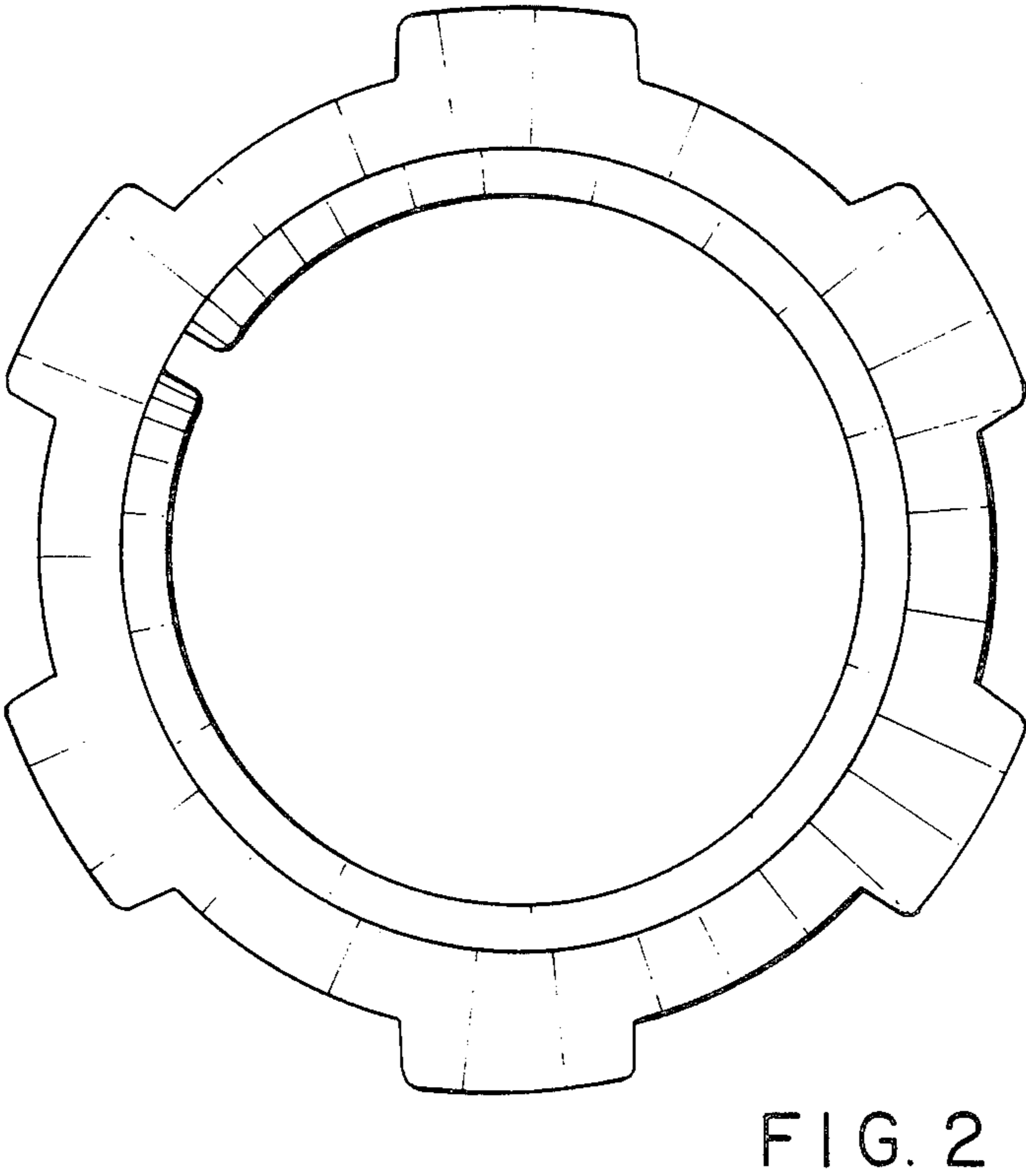
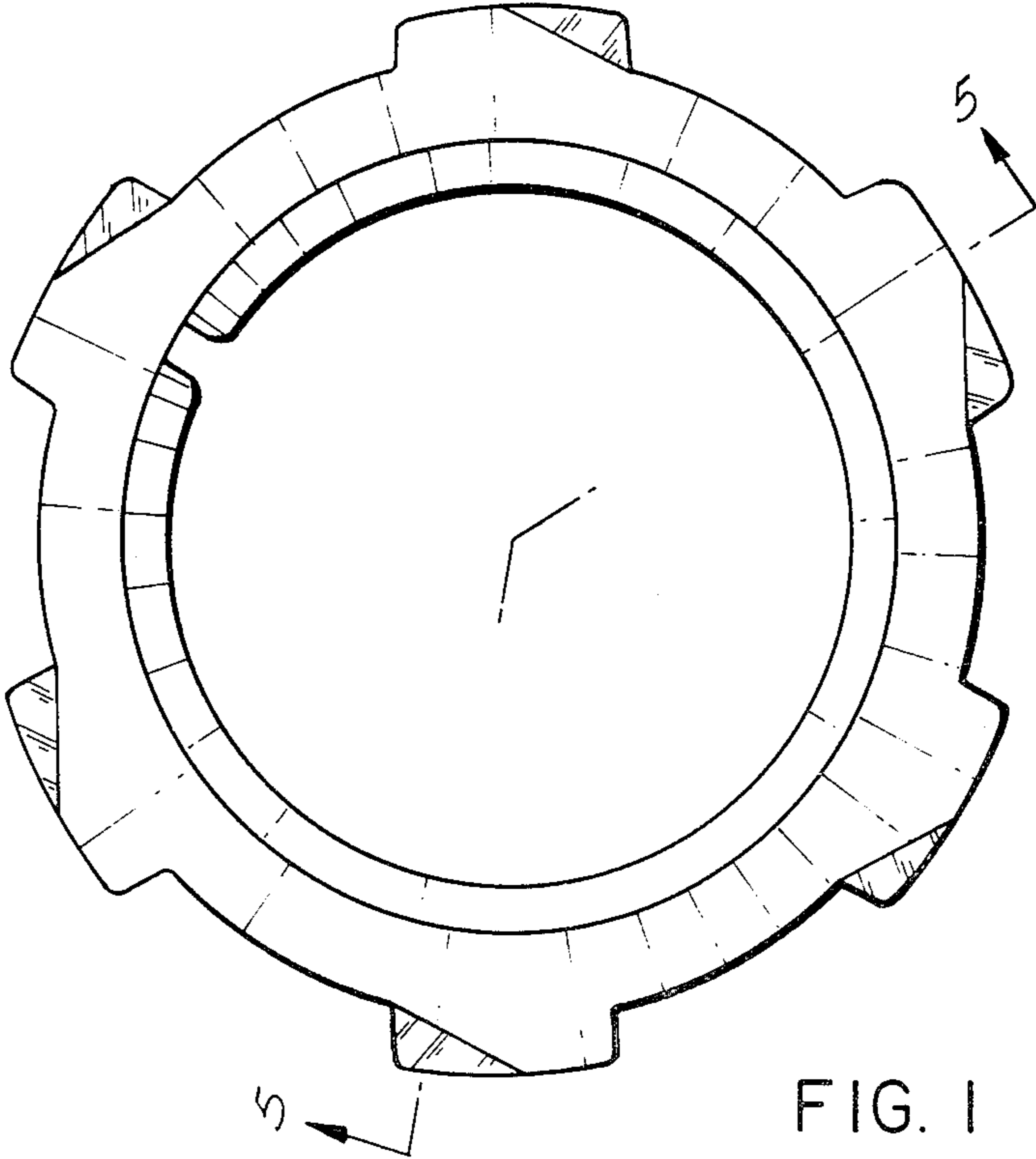




FIG. 3

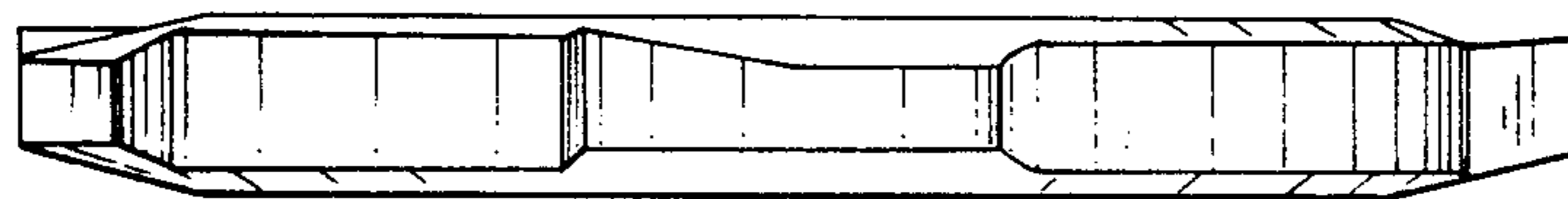


FIG. 4

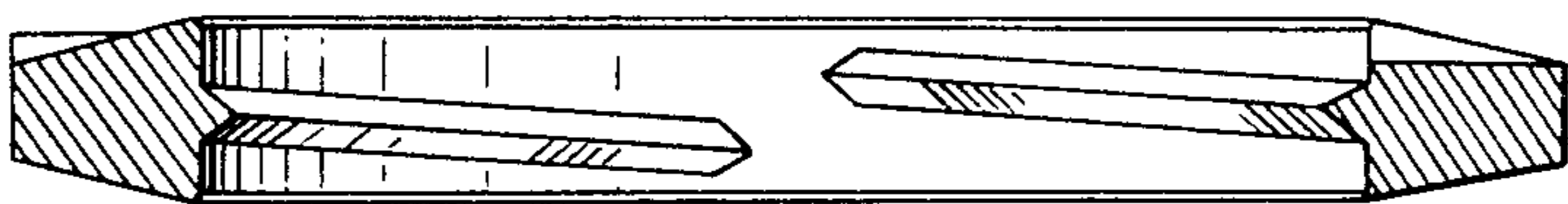


FIG. 5