

[54] **SHEET GLASS CONNECTOR**

[75] **Inventors: Gary L. Farmer, Downey; Donald E. Leuder, Long Beach, both of Calif.**

[73] **Assignee: Cal-Tuf Glass Corporation, South Gate, Calif.**

[**] **Term: 14 Years**

[21] **Appl. No.: 560,961**

[22] **Filed: Dec. 13, 1983**

[52] **U.S. Cl. D8/394**

[58] **Field of Search D8/382, 394-396; 312/140; 403/167, 168; 52/285**

[56] **References Cited**

U.S. PATENT DOCUMENTS

D. 265,048	6/1982	Guardia	D8/394
3,362,739	1/1968	Staeger et al.	52/285
4,223,966	9/1980	Winters	312/140

FOREIGN PATENT DOCUMENTS

1284596	12/1968	Fed. Rep. of Germany	52/285
---------	---------	----------------------------	--------

OTHER PUBLICATIONS

Popular Mechanics; 9/1982; p. 101; "Clip-Together Organizers", (upper right).

Visual Merchandising; 7/1978; p. 21; Glass Connectors (upper left).

Visual Merchandising; 12/1980; p. 108; Glass Connectors (bottom right).

Primary Examiner—B. J. Bullock

Attorney, Agent, or Firm—Herzig, Schaap & Yanny

[57] **CLAIM**

The ornamental design for a sheet glass connector, substantially as shown and described.

DESCRIPTION

FIG. 1 is a perspective view of a sheet glass connector showing our new design;

FIG. 2 is a rear elevational view thereof;

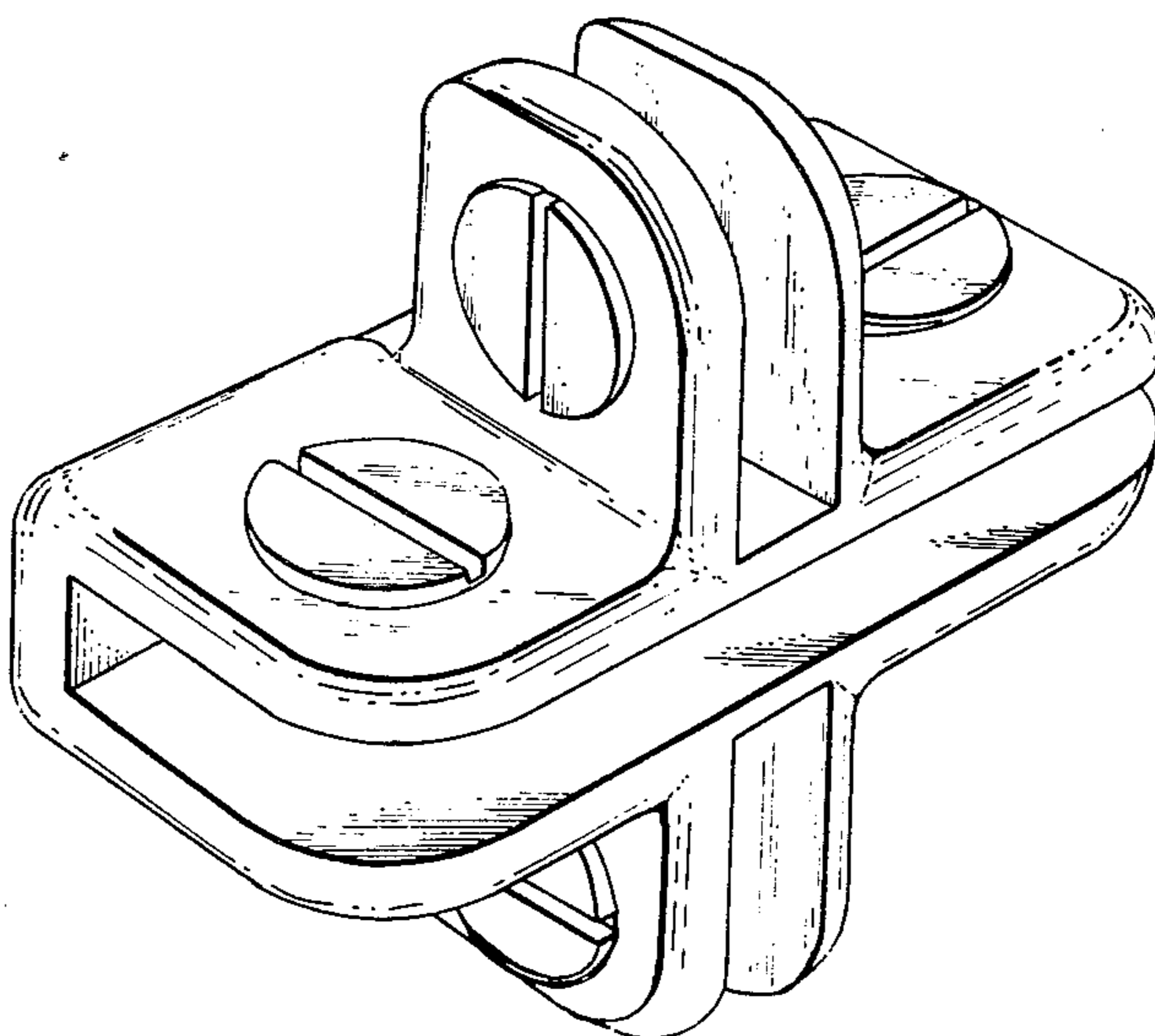
FIG. 3 is a front elevational view thereof;

FIG. 4 is a side elevational view taken from the left of FIG. 1;

FIG. 5 is a side elevational view taken from the right of FIG. 1;

FIG. 6 is a top plan view thereof;

FIG. 7 is a bottom plan view thereof.



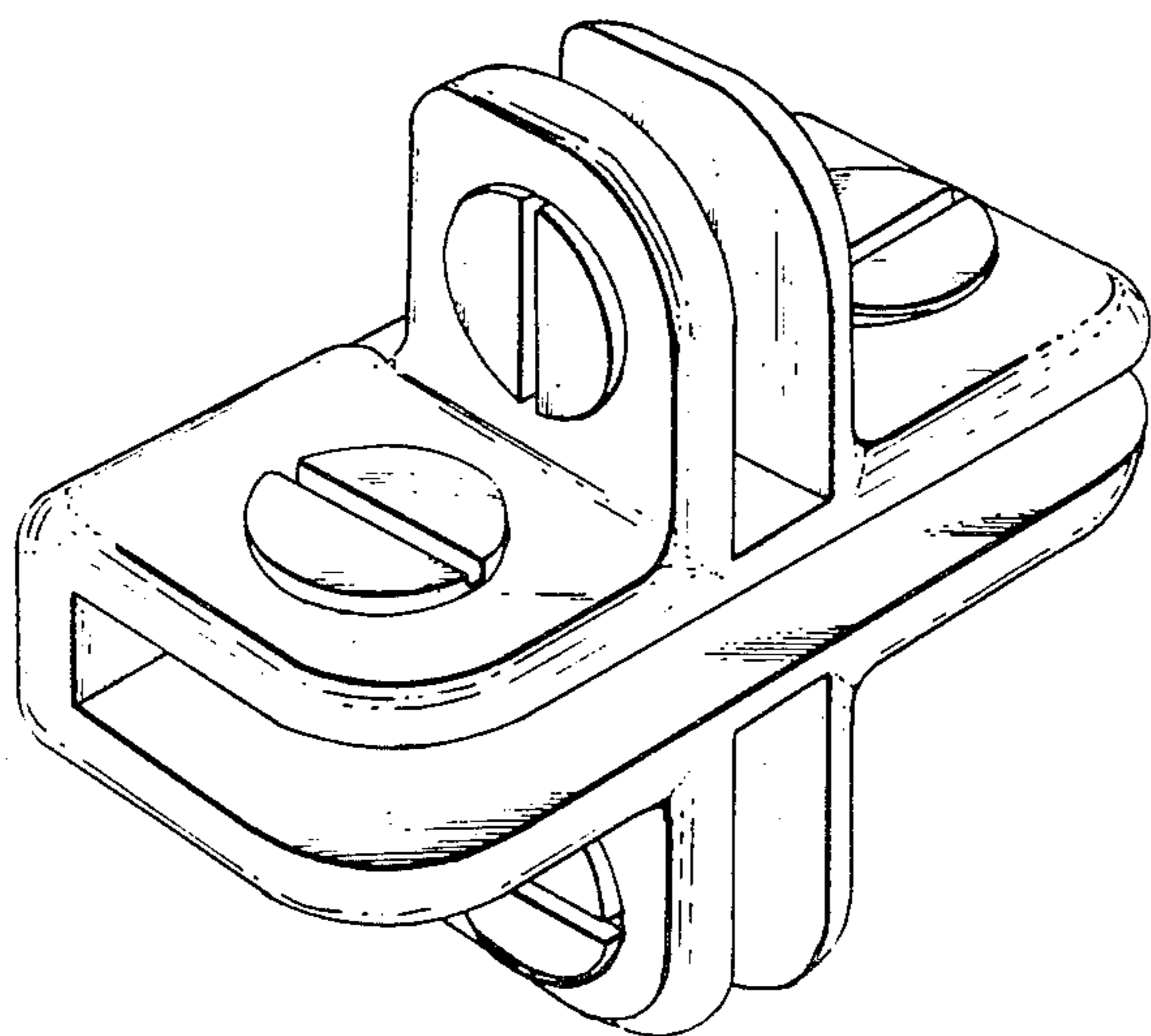


Fig. 1.

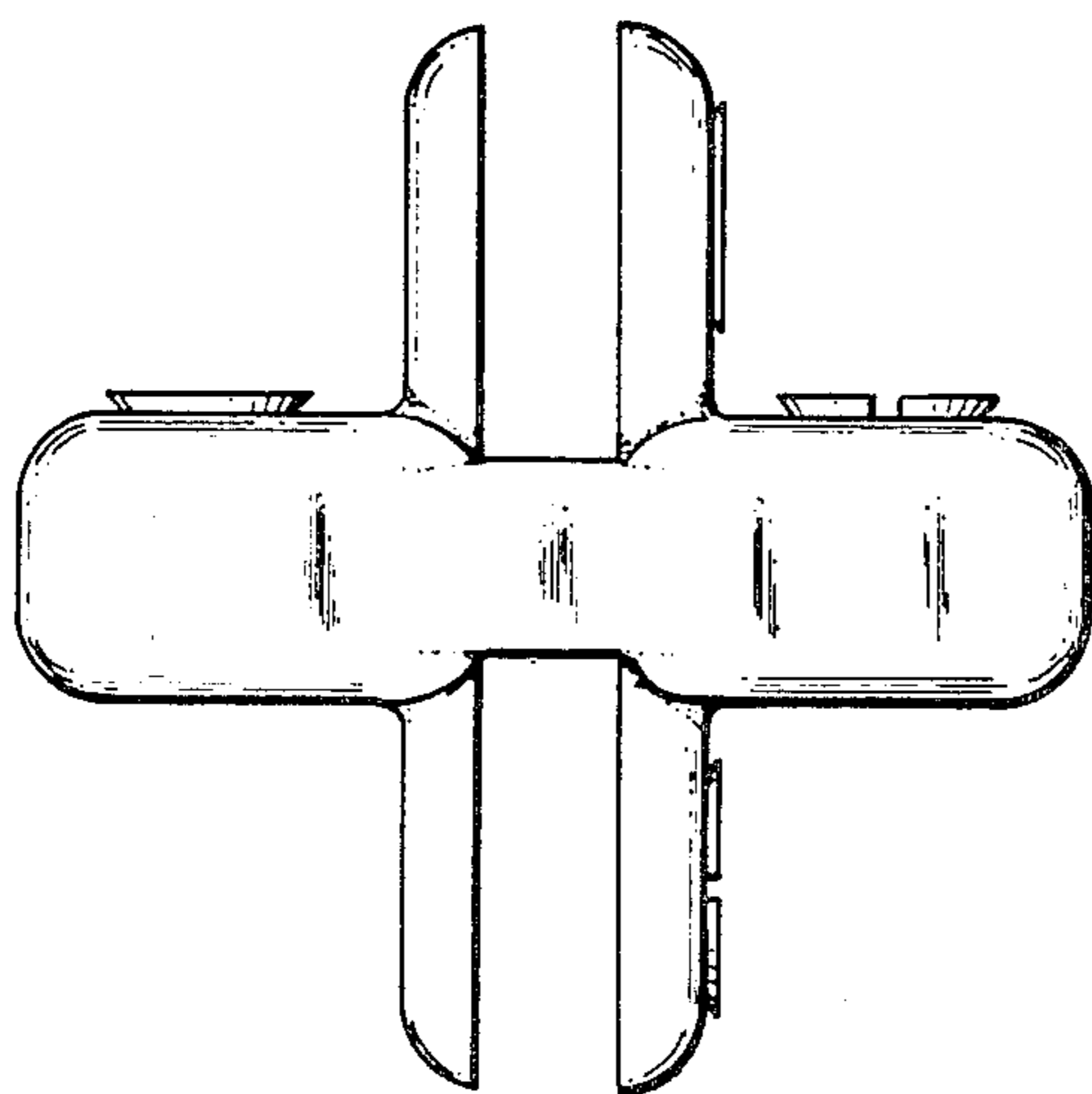


Fig. 2.

Fig. 3.

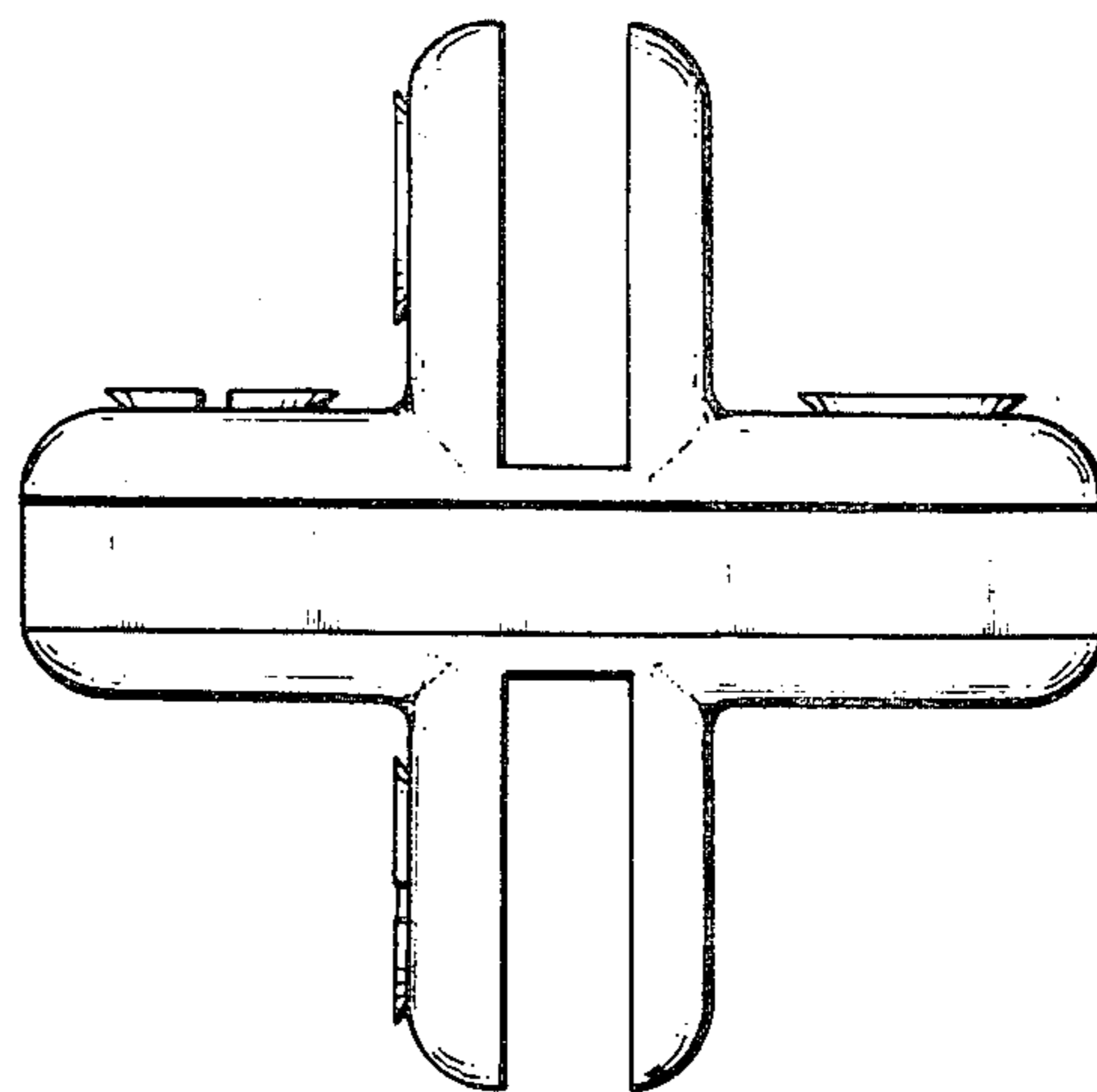


Fig. 4.

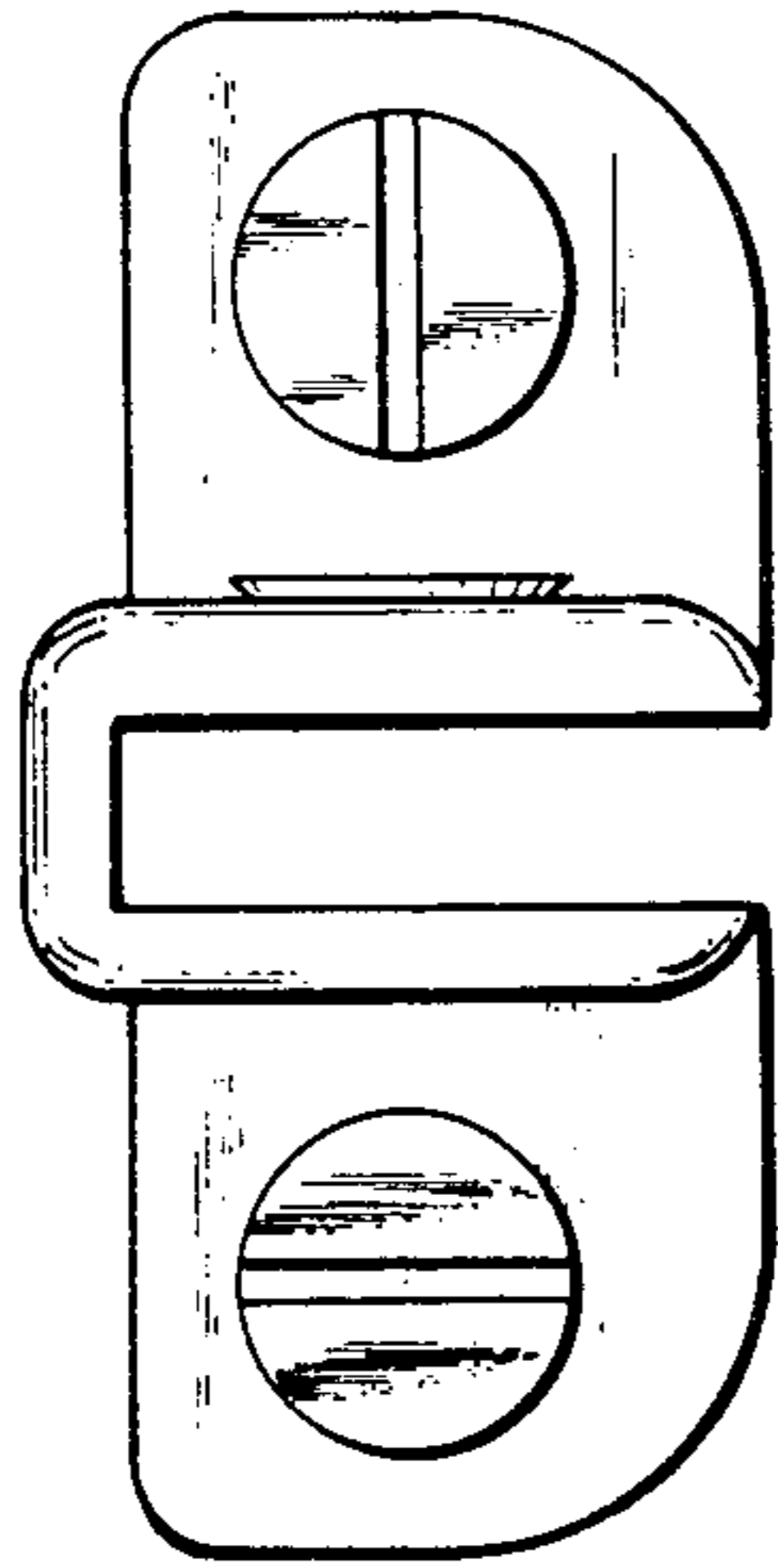


Fig. 5.

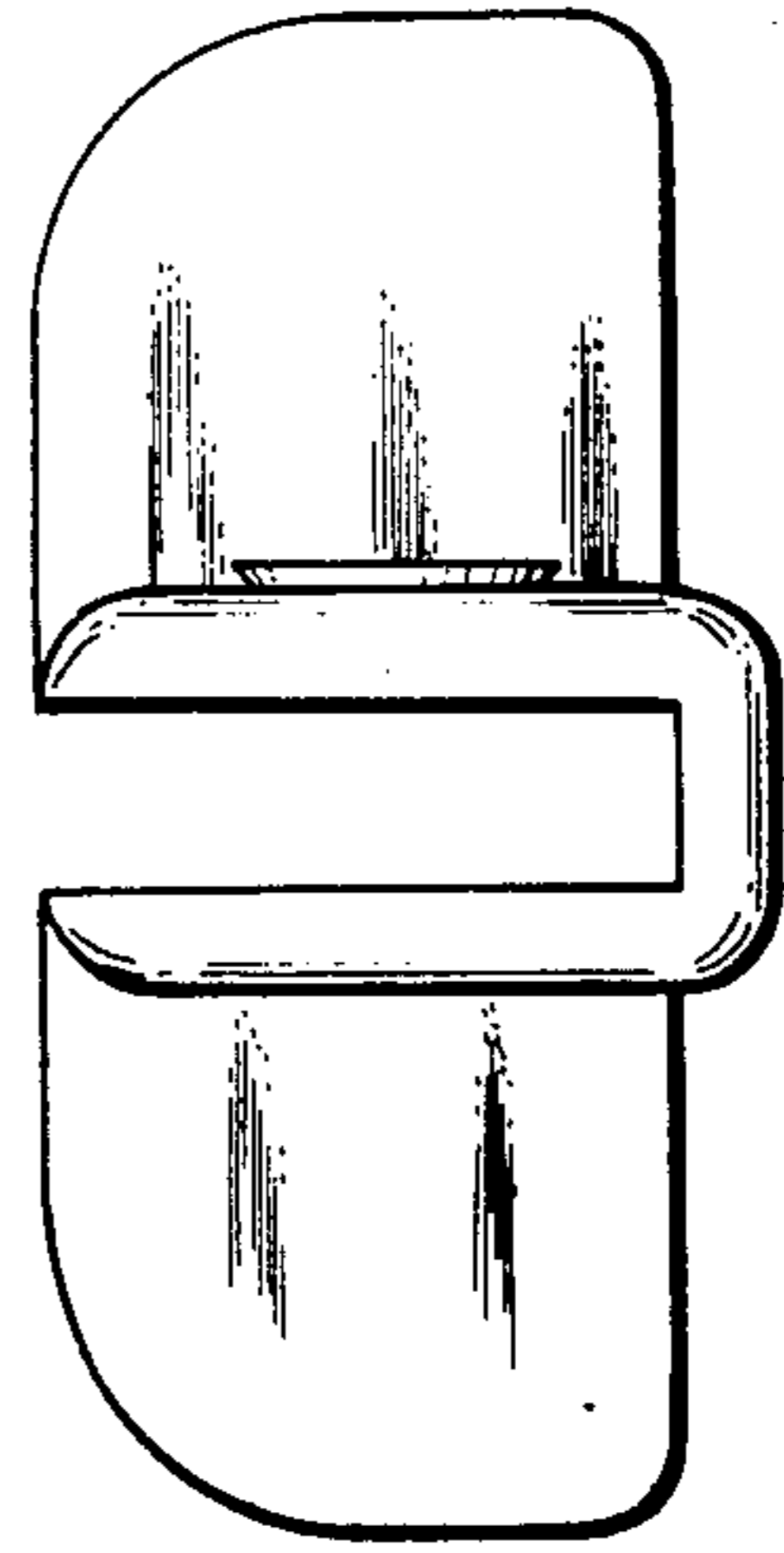


Fig. 6.

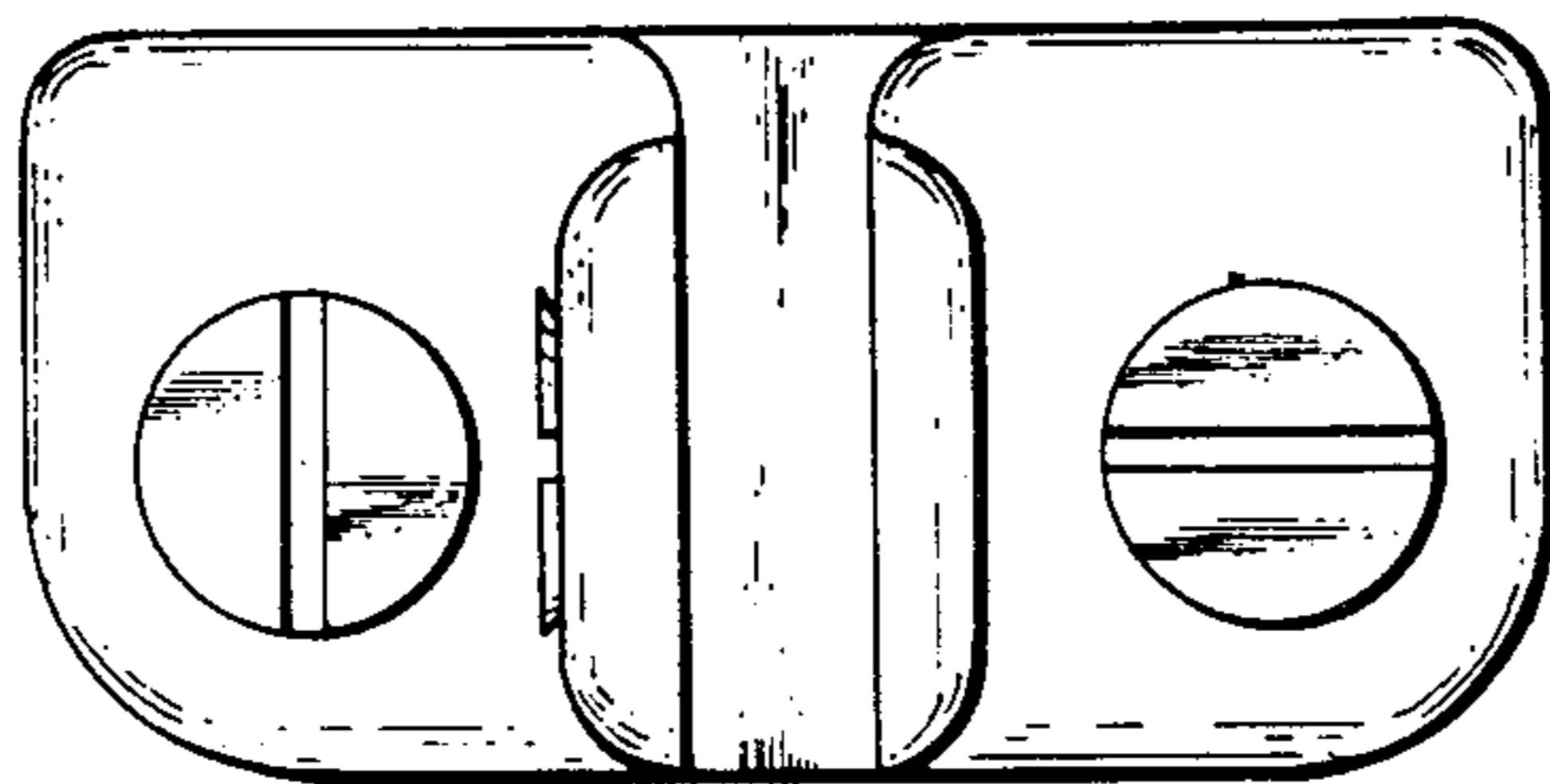


Fig. 7.

