

[54] HASP

[75] Inventors: Udo Hartmann, Mequon; Mark W. Stoller, Milwaukee; Kenneth N. Grandy, South Milwaukee, all of Wis.

[73] Assignee: Master Lock Company, Milwaukee, Wis.

[\*\*] Term: 14 Years

[21] Appl. No.: 522,475

[22] Filed: Aug. 11, 1983

[52] U.S. Cl. .... D8/345

[58] Field of Search ..... D8/330, 345, 343; 70/2, 70/6, 11

[56] References Cited

U.S. PATENT DOCUMENTS

- D. 212,123 8/1968 Foote ..... D8/345
- D. 269,063 5/1983 Gill ..... D8/343

799,582	9/1905	Warren	.....	70/6
911,502	2/1909	Hunt	.....	70/6
1,419,864	6/1922	Knapp	.....	70/11

Primary Examiner—B. J. Bullock  
Assistant Examiner—Suzanne N. Gitlin  
Attorney, Agent, or Firm—Pennie & Edmonds

[57] CLAIM

The ornamental design for a hasp, as shown and described.

DESCRIPTION

FIG. 1 is a reduced front perspective view of a hasp showing our new design;  
 FIG. 2 is a top plan view thereof;  
 FIG. 3 is a front elevational view thereof;  
 FIG. 4 is a rear elevational view thereof;  
 FIG. 5 is an end elevational view taken from the left of FIG. 1;  
 FIG. 6 is an end elevational view taken from the right of FIG. 1.

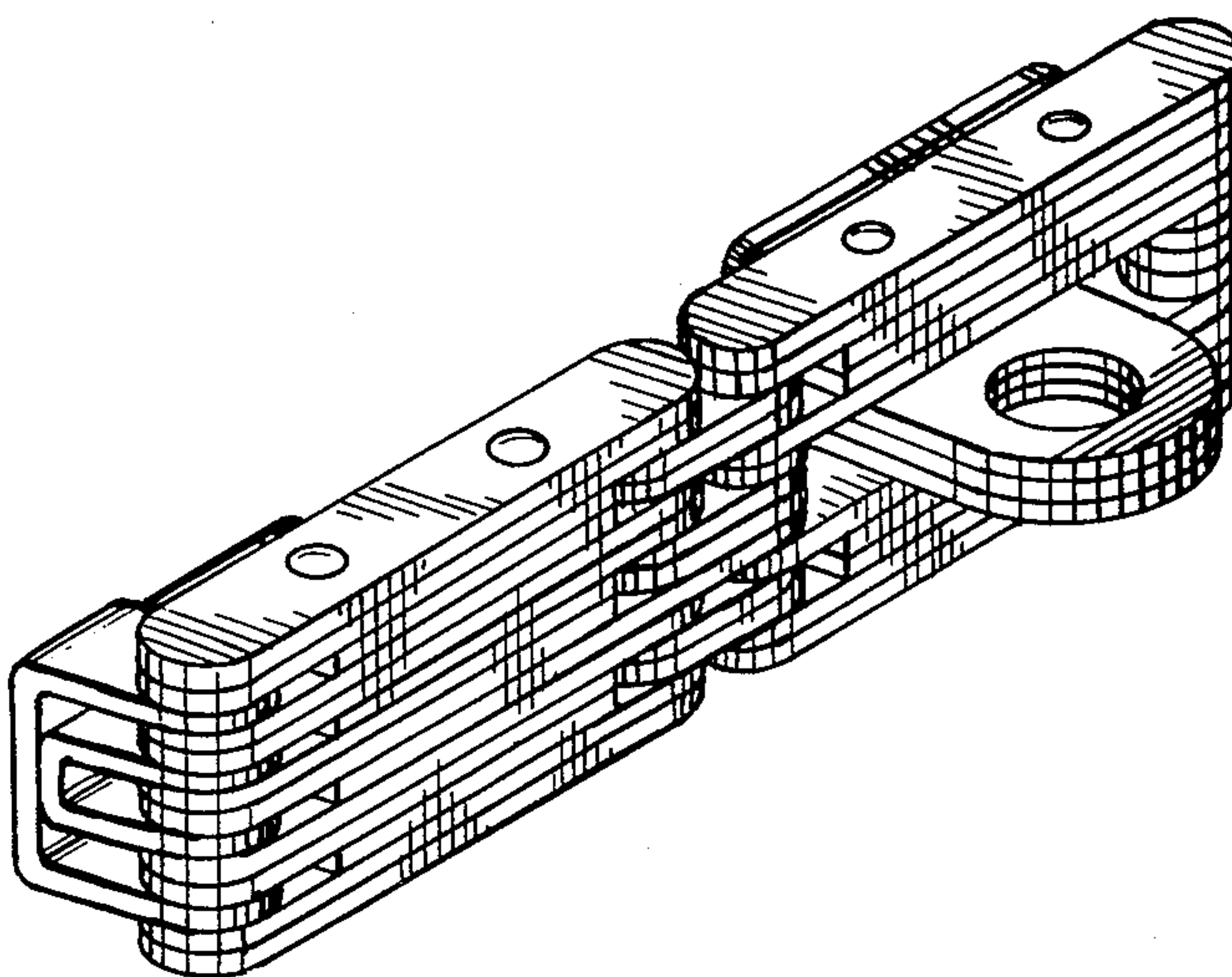


FIG. 1

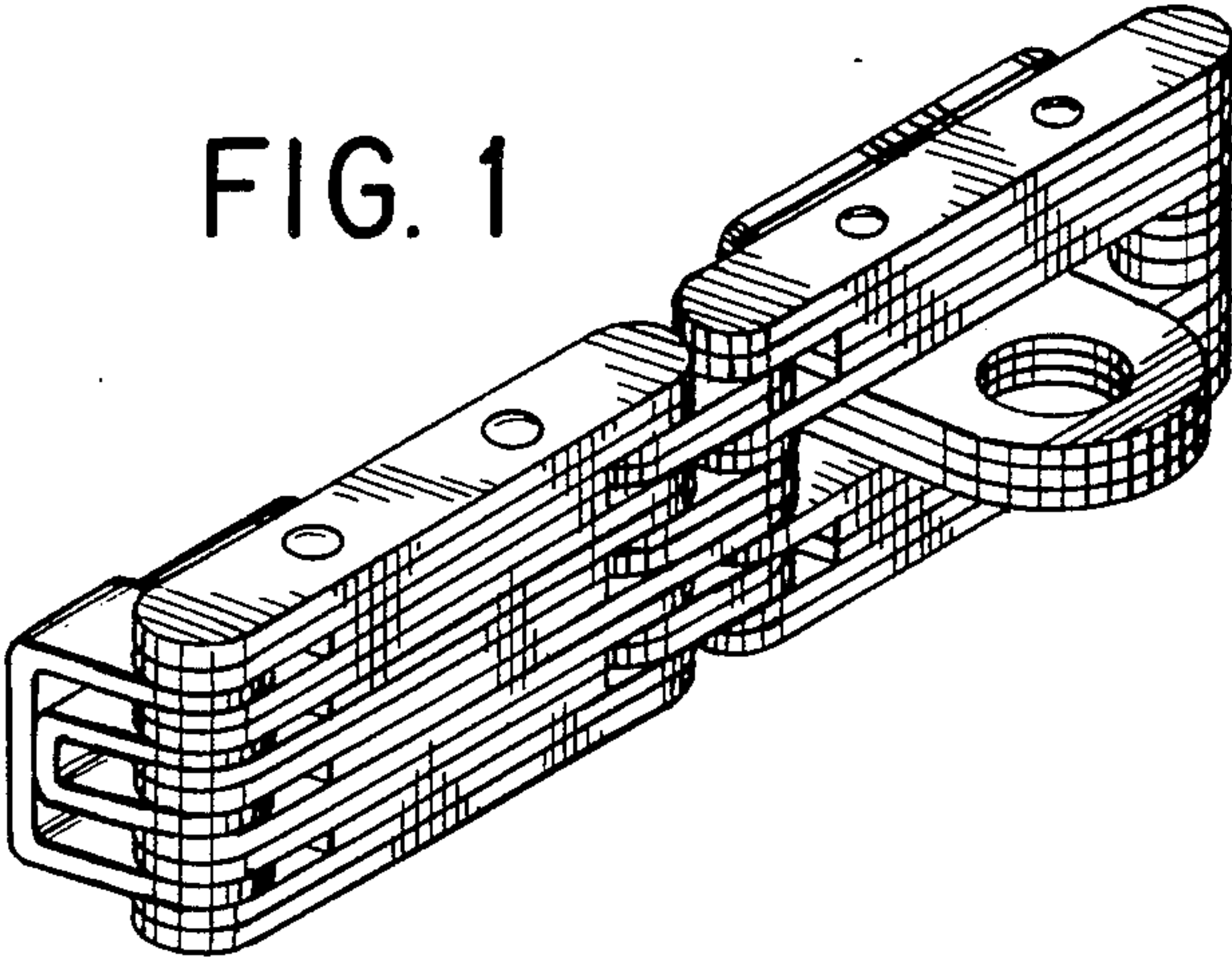


FIG. 2

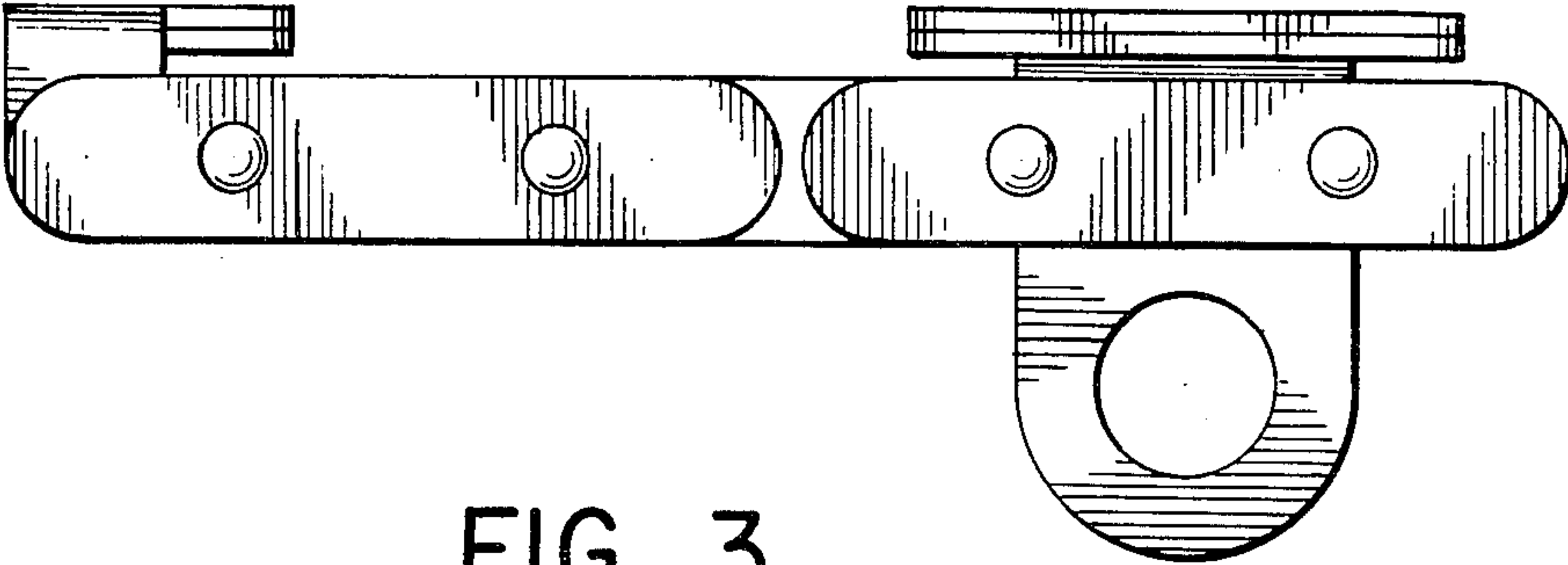


FIG. 3

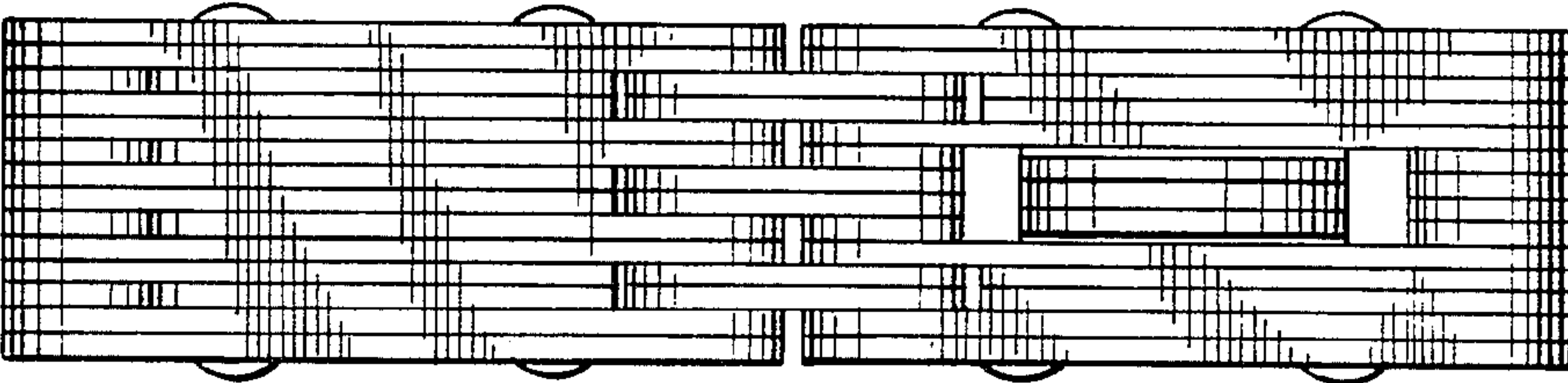


FIG. 4

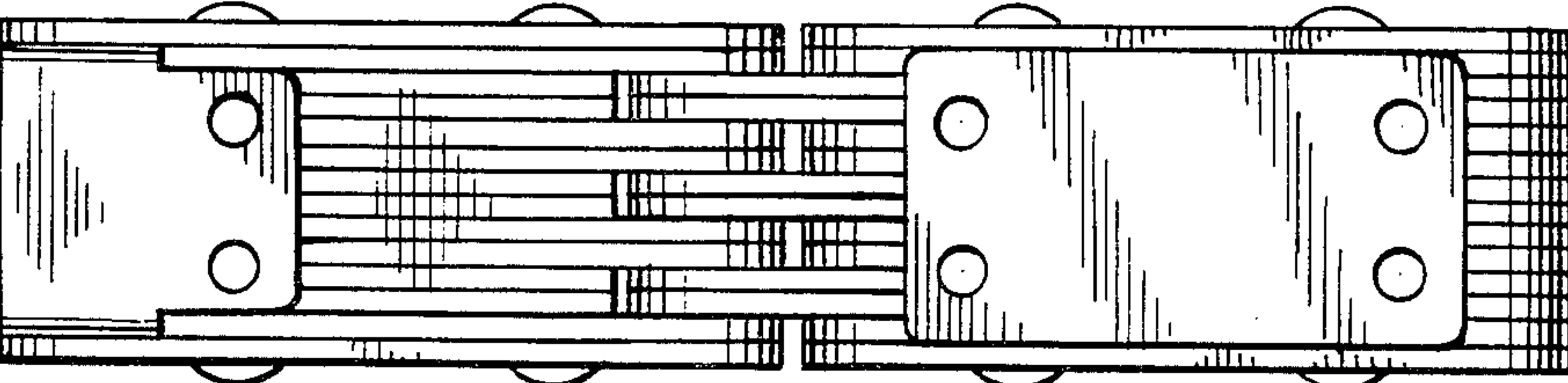


FIG. 5

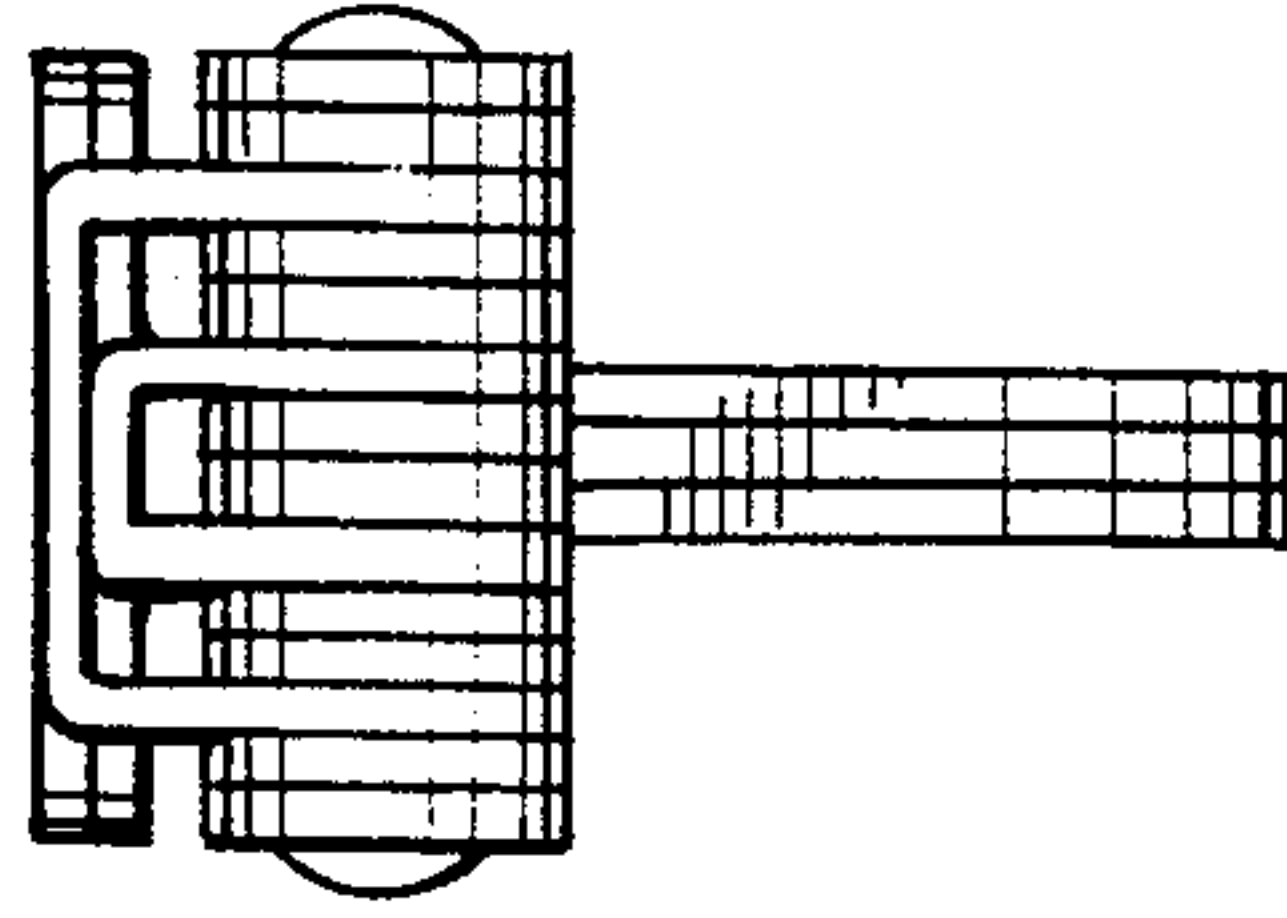


FIG. 6

