

[54] PORTABLE BLENDER

[76] Inventor: Raymond D. Boyce, P. O. Box 1822
Brookhaven Blvd., Norman, Okla.
73069

[**] Term: 14 Years

[21] Appl. No.: 458,576

[22] Filed: Jan. 17, 1983

[52] U.S. Cl. D7/378

[58] Field of Search D7/378, 376, 379, 384,
D7/386, 412; 241/92, 282.1, 282.2; 366/205,
314

[56] References Cited

U.S. PATENT DOCUMENTS

D. 115,517 7/1939 Hook D7/378

D. 121,136 6/1940 Benson D7/378
2,794,627 6/1957 Rodwick 241/282.2
3,704,864 12/1972 Lee 366/205

OTHER PUBLICATIONS

Industrial Design, p. 60, Sep. 1973, Blenders.

Industrial Design, p. 67, Feb. 1976, Blender.

Primary Examiner—Bernard Ansher

Attorney, Agent, or Firm—Dunlap, Coddling & Peterson

[57] CLAIM

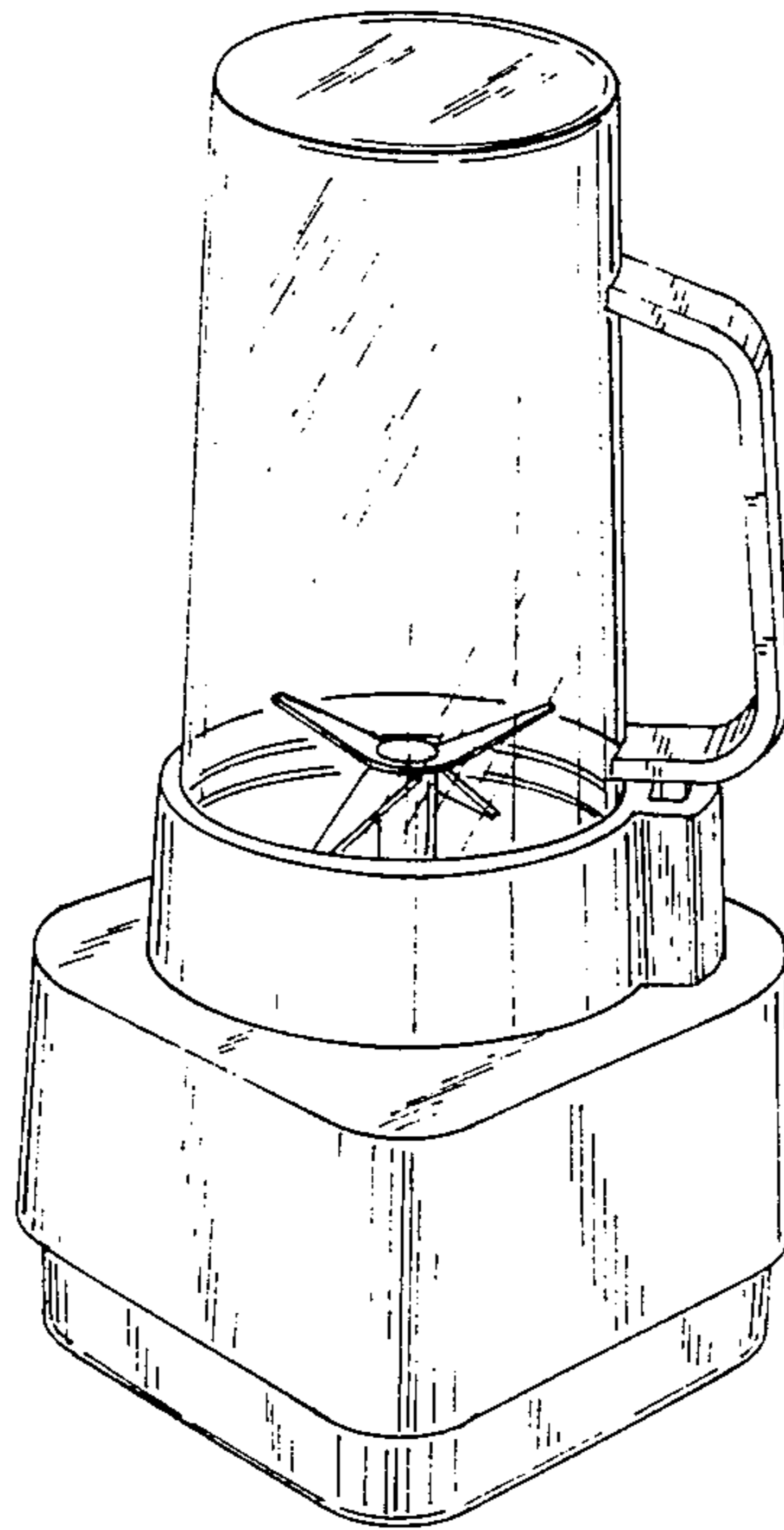
The ornamental design for a portable blender, as shown.

DESCRIPTION

FIG. 1 is a top right side perspective view of a portable
blender showing my new design;

FIG. 2 is a bottom left side perspective view thereof;
and

FIG. 3 is a right side elevational view thereof.



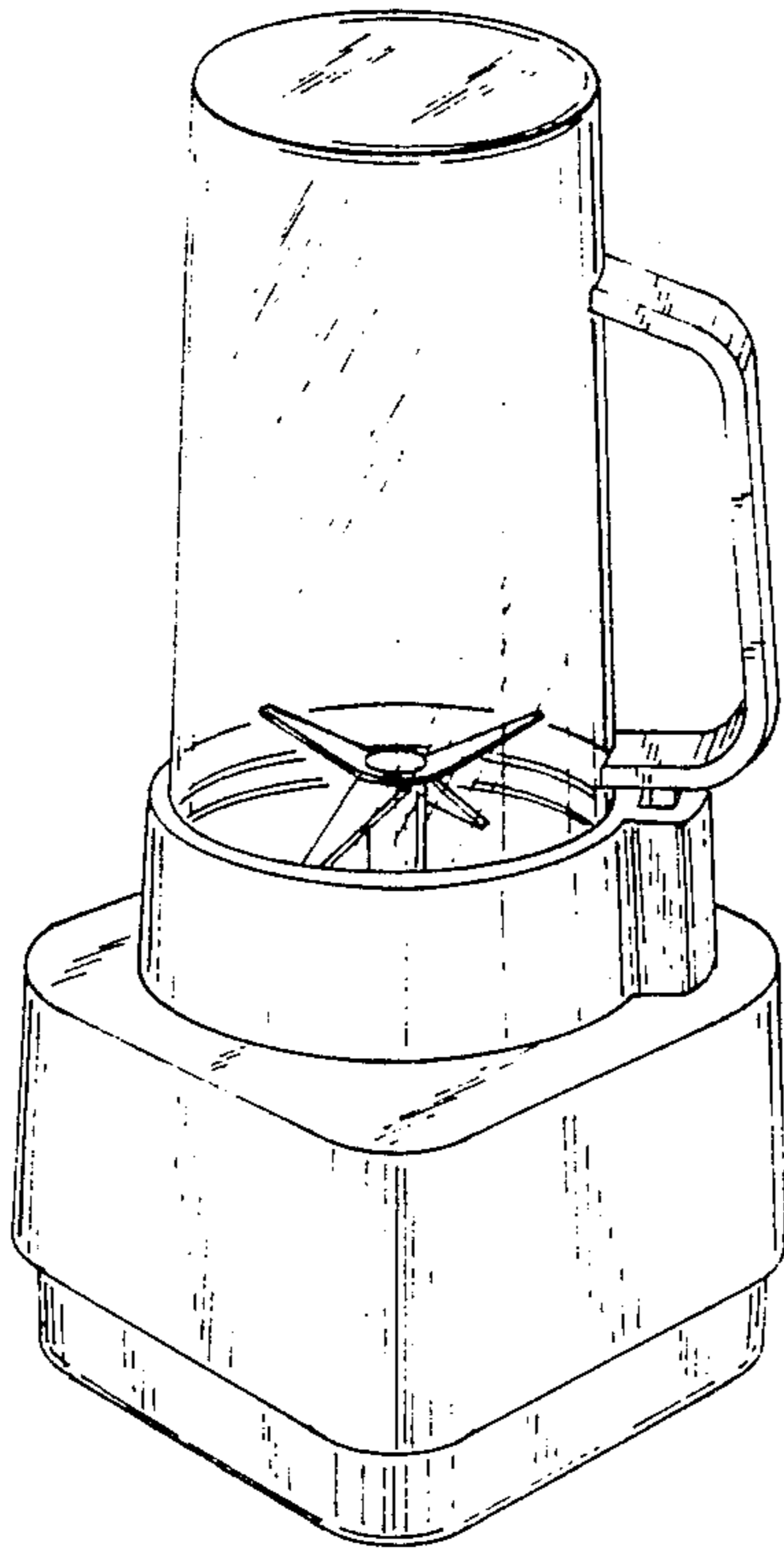


FIG. 1

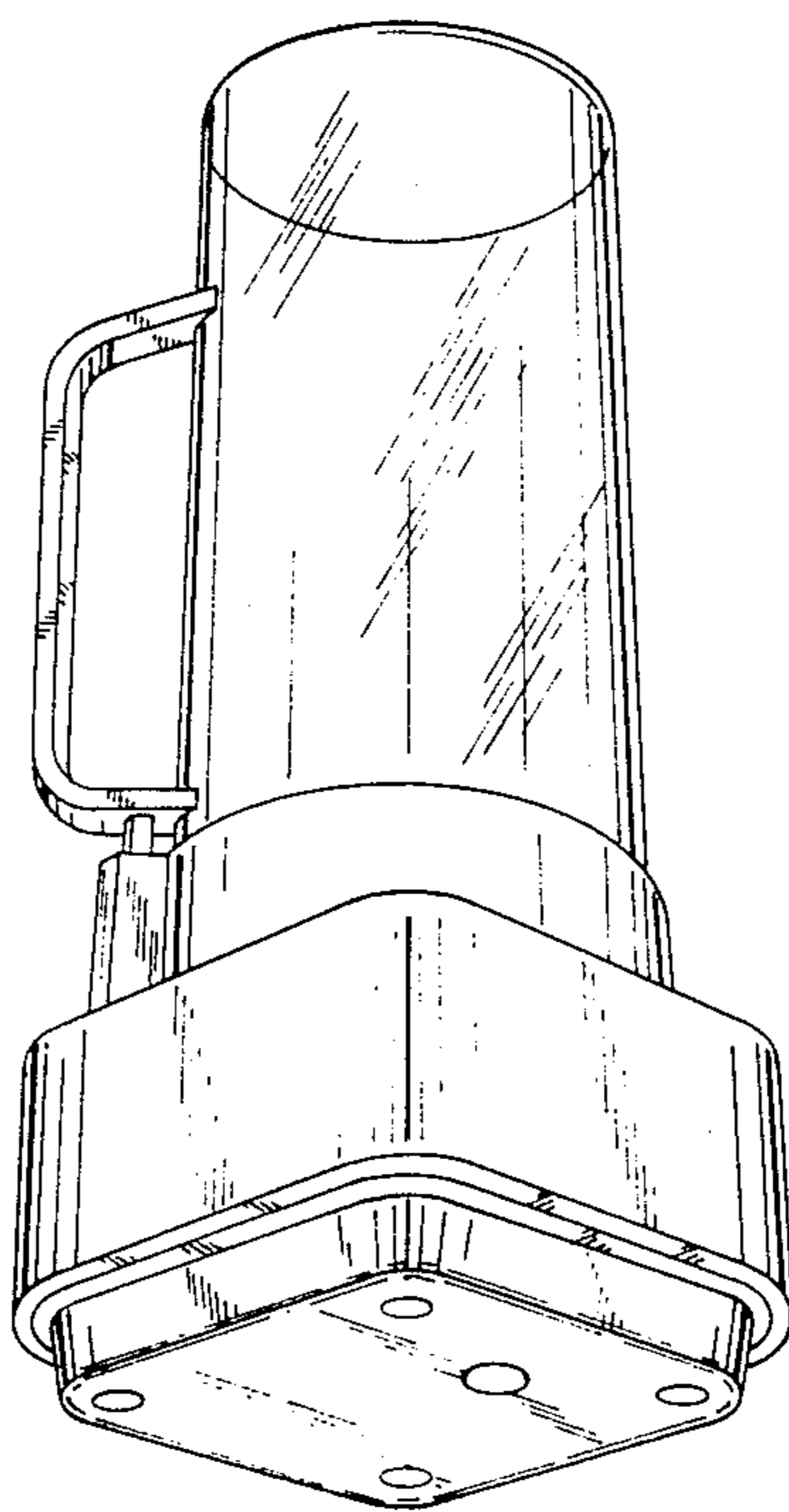


FIG. 2

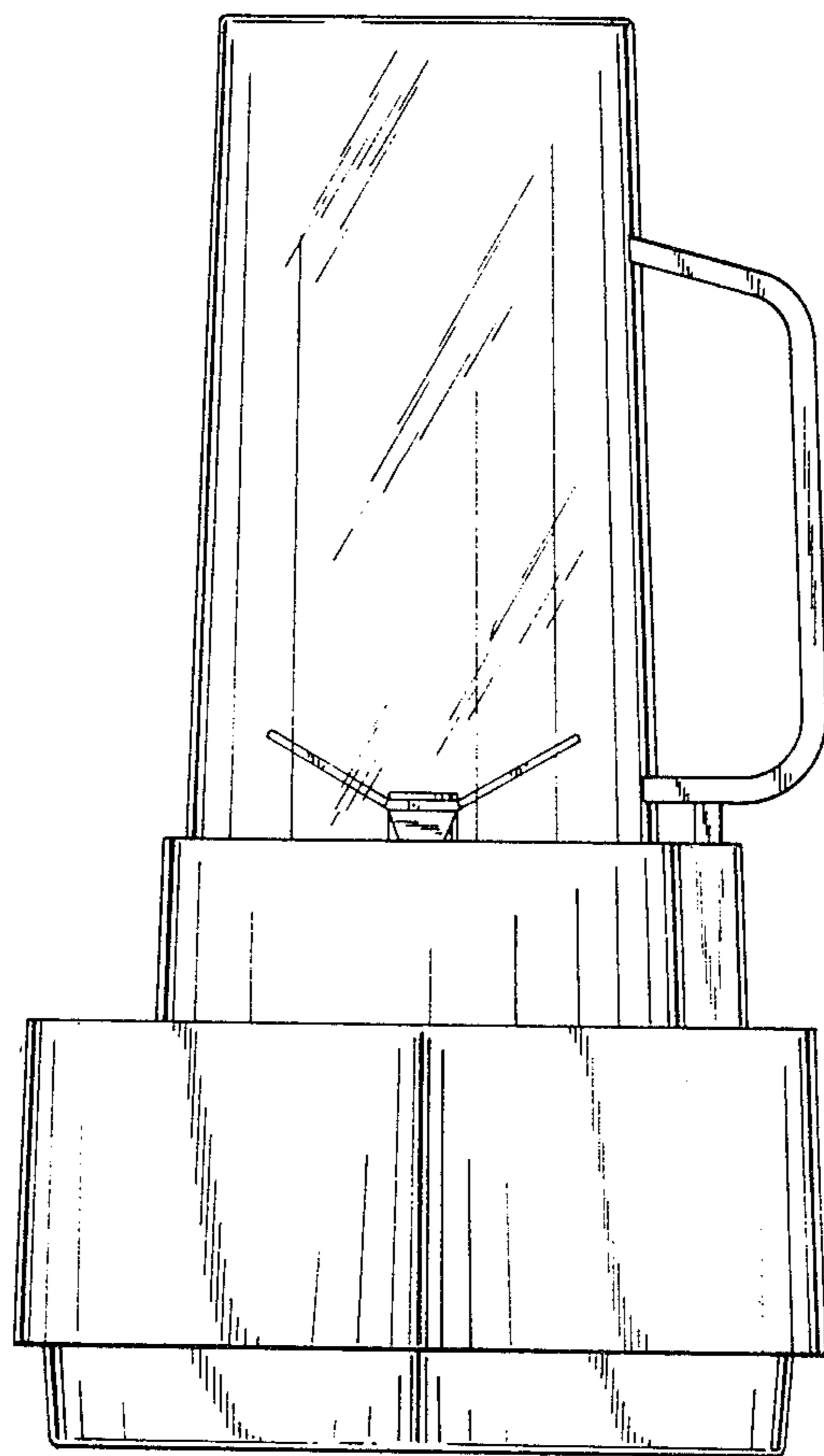


FIG. 3