

[54] **GAS BARBECUE**

[76] **Inventor: Ming K. Chan, 1st Flr., 58 Hung To Rd., Kowloon, Hong Kong**

[\*\*] **Term: 14 Years**

[21] **Appl. No.: 472,090**

[22] **Filed: Mar. 4, 1983**

[30] **Foreign Application Priority Data**

Sep. 15, 1982 [GB] United Kingdom ..... 821008726

[52] **U.S. Cl. .... D7/332**

[58] **Field of Search .... D7/331-337, D7/409; 126/9 R, 9 A, 9 B, 25 R, 25 A, 25 AA, 25 B, 25 C, 29, 30**

[56] **References Cited**

**U.S. PATENT DOCUMENTS**

- D. 221,816 9/1971 Bryan ..... D7/337
- D. 242,593 12/1976 Sterkel ..... D7/332
- D. 247,661 4/1978 Willard et al. .... D7/336

- D. 275,927 10/1984 Chan ..... D7/407
- 4,215,667 8/1980 Hsu ..... 126/9 R

**OTHER PUBLICATIONS**

*Popular Science*, Jun. 1958, Weber SJ-100 Item.

*Primary Examiner*—Wallace R. Burke

*Assistant Examiner*—L. Wilder

*Attorney, Agent, or Firm*—Fay, Sharpe, Fagan, Minnich & McKee

[57] **CLAIM**

The ornamental design for a gas barbecue, substantially as shown and described.

**DESCRIPTION**

FIG. 1 is a left front perspective view of a gas barbecue showing my new design;

FIG. 2 shows a right side elevational view thereof;

FIG. 3 shows a left rear perspective view;

FIG. 4 shows a left front perspective view showing the cooking grid and slide handle and carrying handle in an alternative position to that shown in FIG. 1.

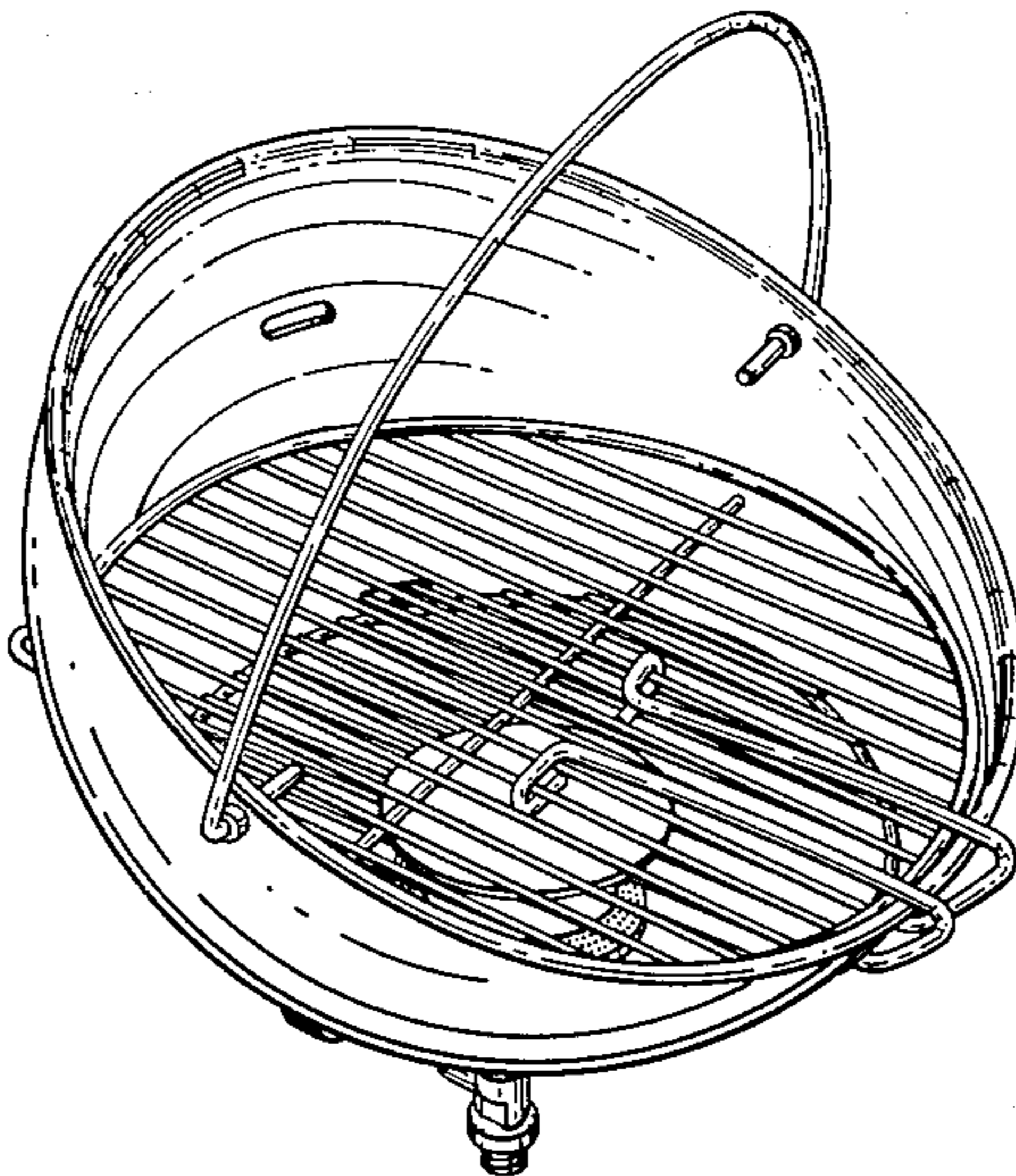


FIG.1.

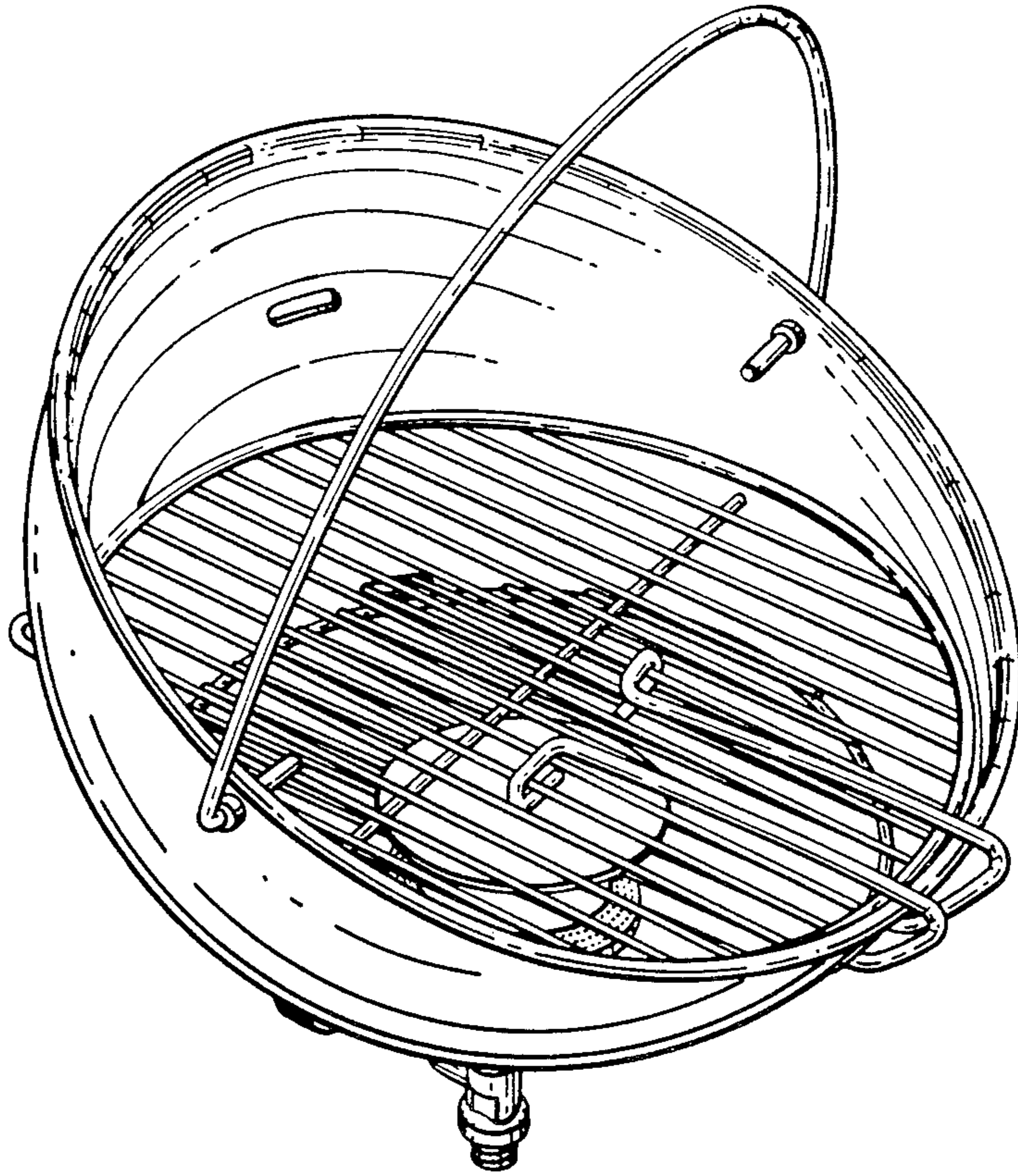


FIG. 2.

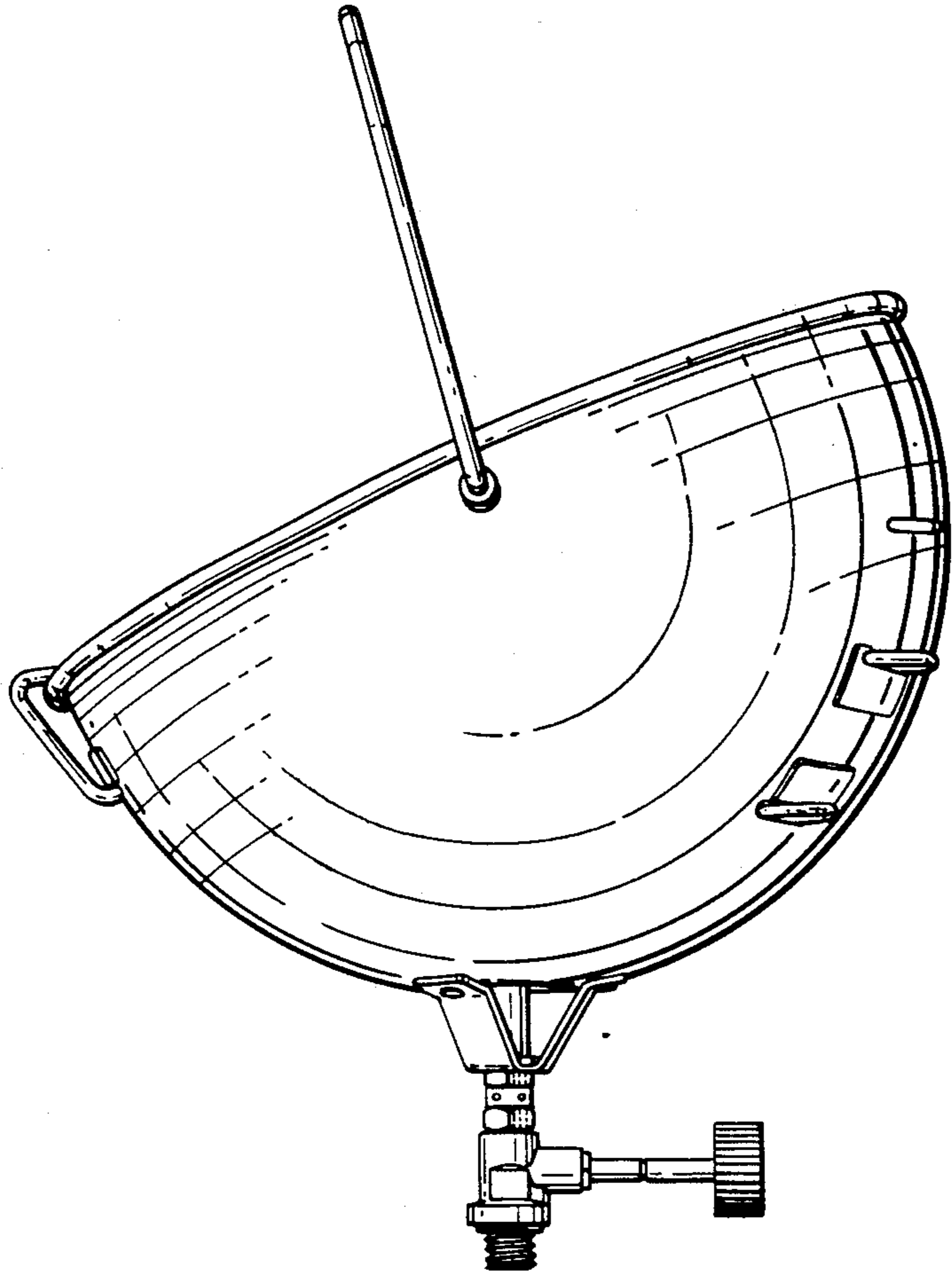


FIG.3.

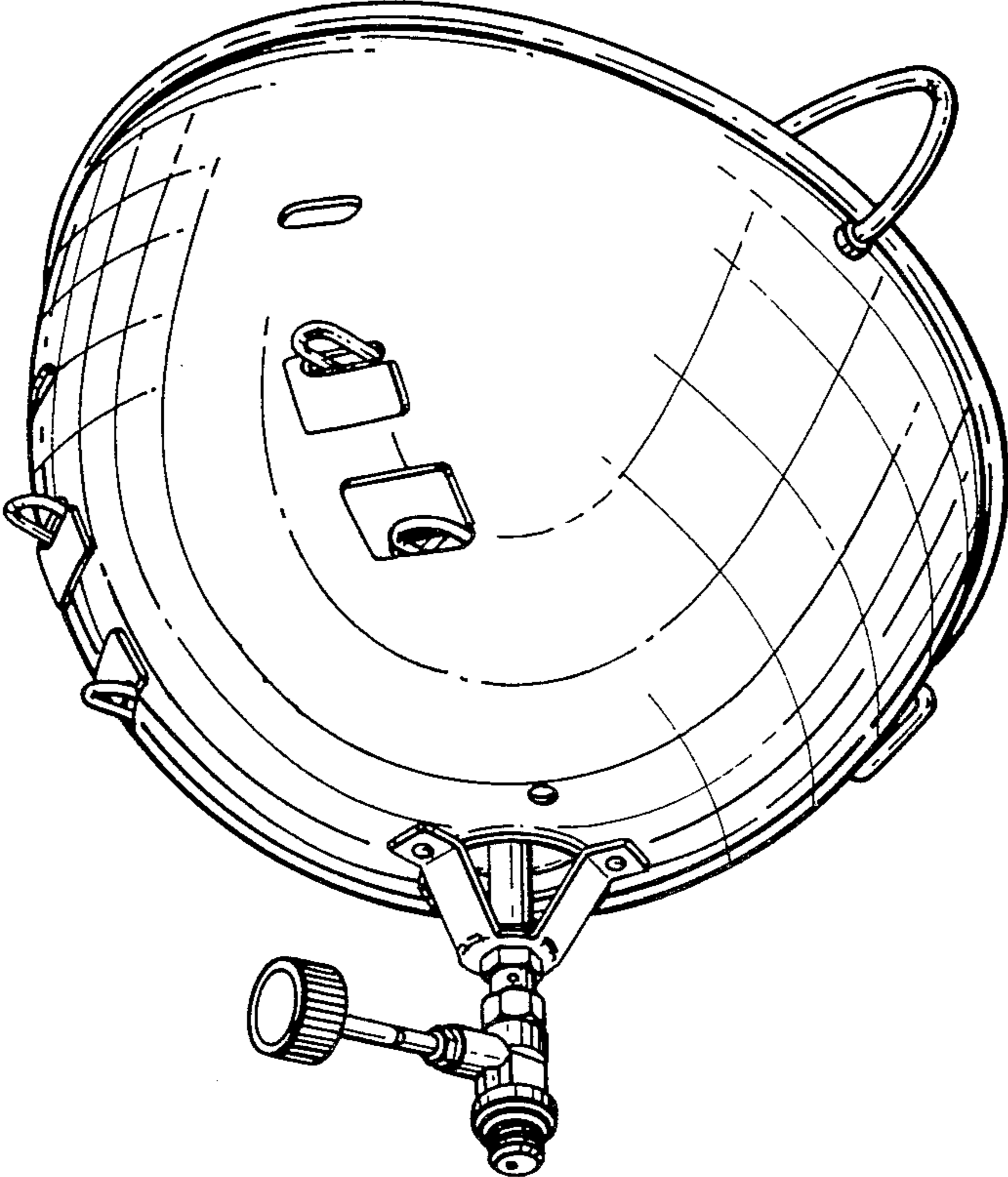


FIG. 4.

