

[54] HINGED TORTILLA BASKET FRYER

3,817,163 6/1974 Kizzlar et al. .... 99/353  
4,173,926 11/1979 Brignall ..... 99/349

[75] Inventor: Wade A. Bentson, San Francisco, Calif.

Primary Examiner—Bernard Ansher

Assistant Examiner—Terry Pfeffer

[73] Assignee: Amco Corporation, Chicago, Ill.

Attorney, Agent, or Firm—Laff, Whitesel, Conte & Saret

[\*\*] Term: 14 Years

[57] CLAIM

[21] Appl. No.: 553,372

The ornamental design for a hinged tortilla basket fryer, as shown and described.

[22] Filed: Nov. 18, 1983

DESCRIPTION

[52] U.S. Cl. .... D7/43

[58] Field of Search ..... D7/43, 99, 356, 361; D34/42; 99/353, 349, 426, 411, 416

FIG. 1 is a right side elevation of a hinged tortilla basket fryer showing my new design, the opposite side being a mirror image;

FIG. 2 is a bottom plan view thereof;

FIG. 3 is a top plan view thereof;

FIG. 4 is a front elevational view thereof;

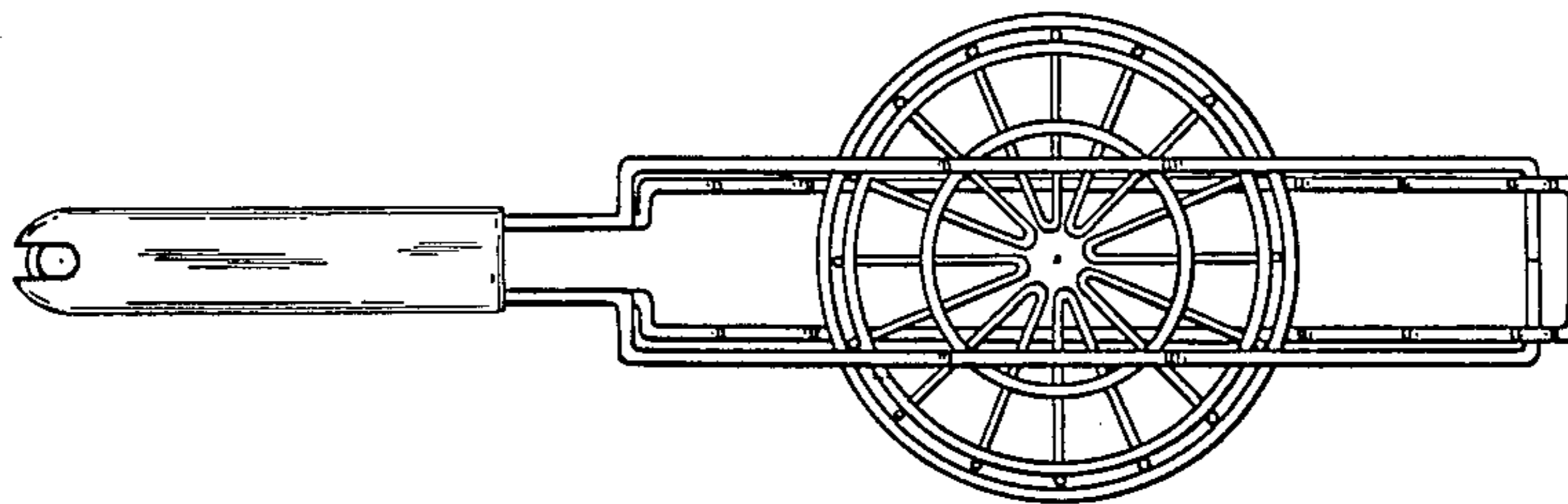
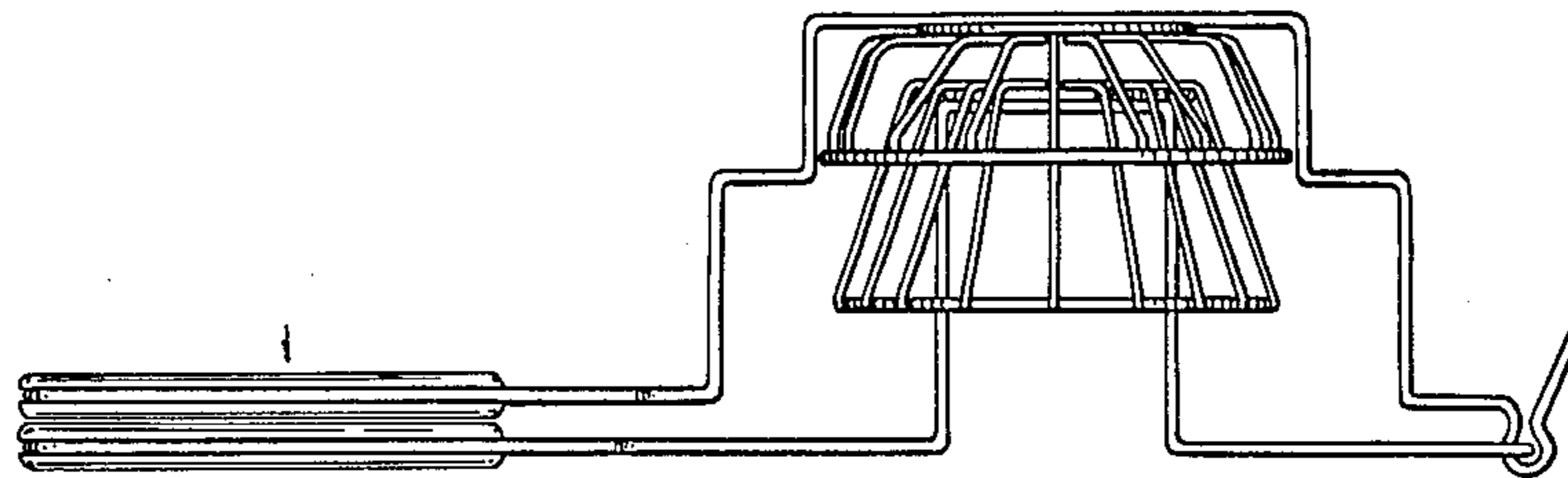
FIG. 5 is a rear elevational view thereof; and

FIG. 6 is a perspective view thereof, shown in an open position with a tortilla shown in broken lines for illustrative purposes only.

[56] References Cited

U.S. PATENT DOCUMENTS

3,020,826	2/1962	Silva	99/426
3,207,059	9/1965	Hirons	99/416 X
3,308,748	3/1967	Jalbert	99/426 X
3,424,076	1/1969	Barnatz et al.	D7/43 X



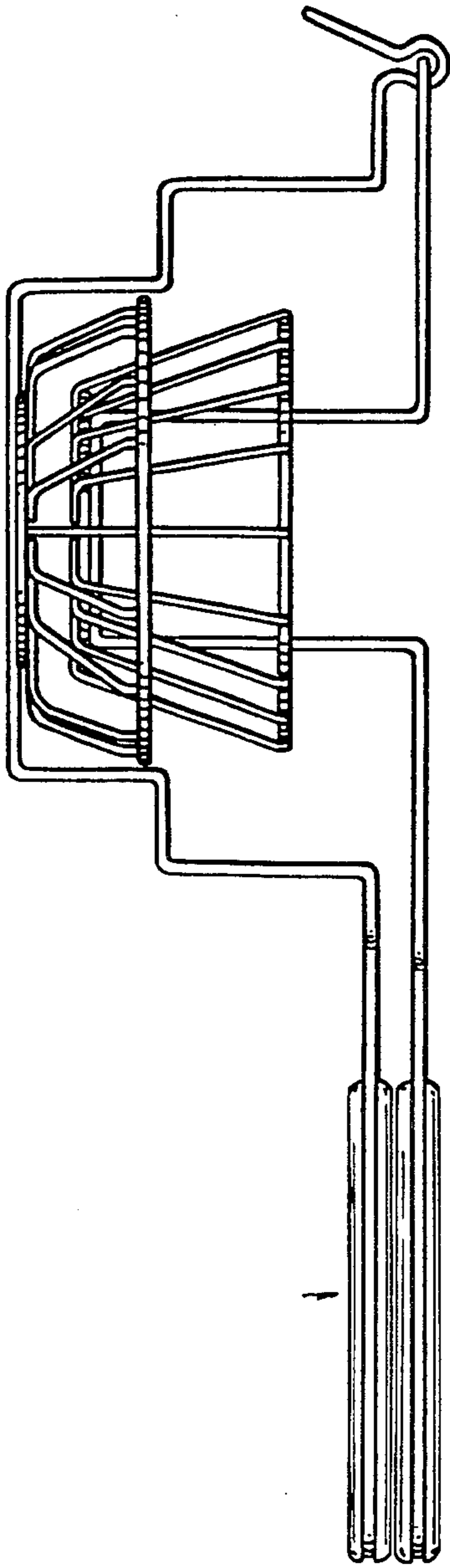


FIG. 1

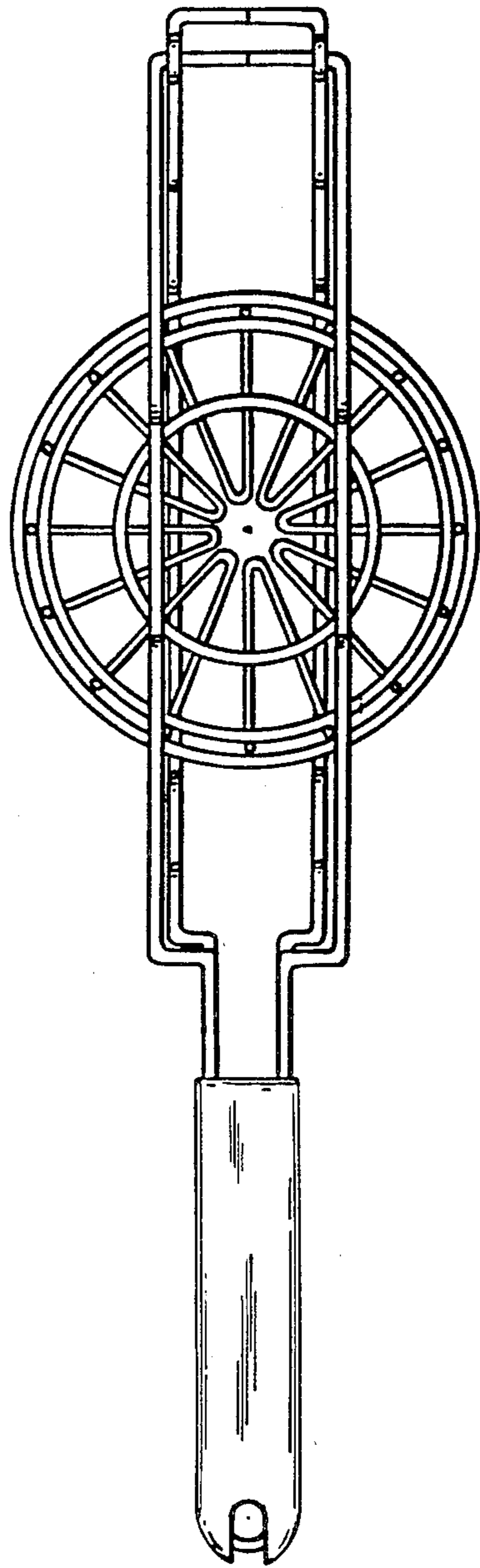


FIG. 2

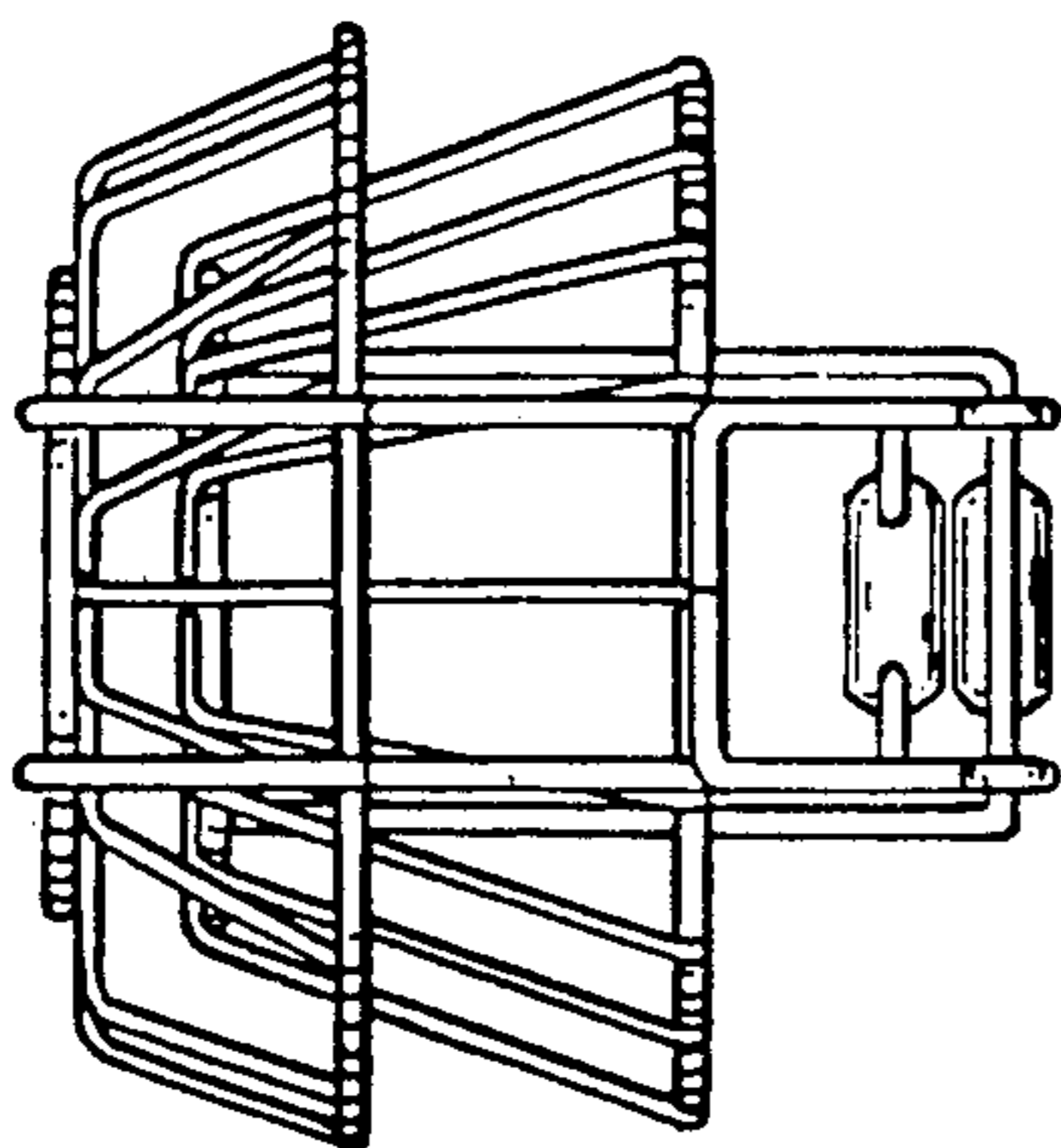


FIG. 5

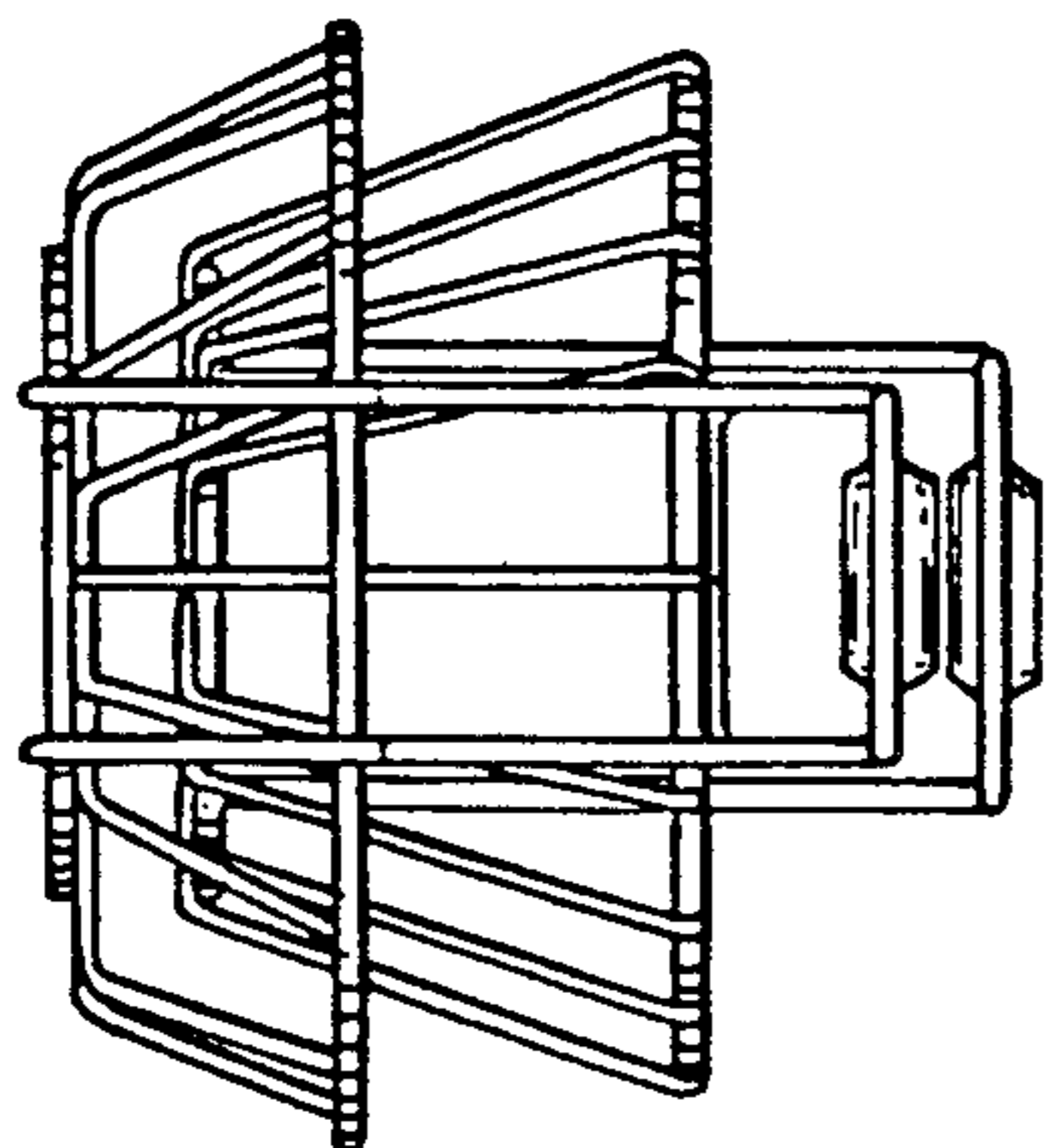


FIG. 4

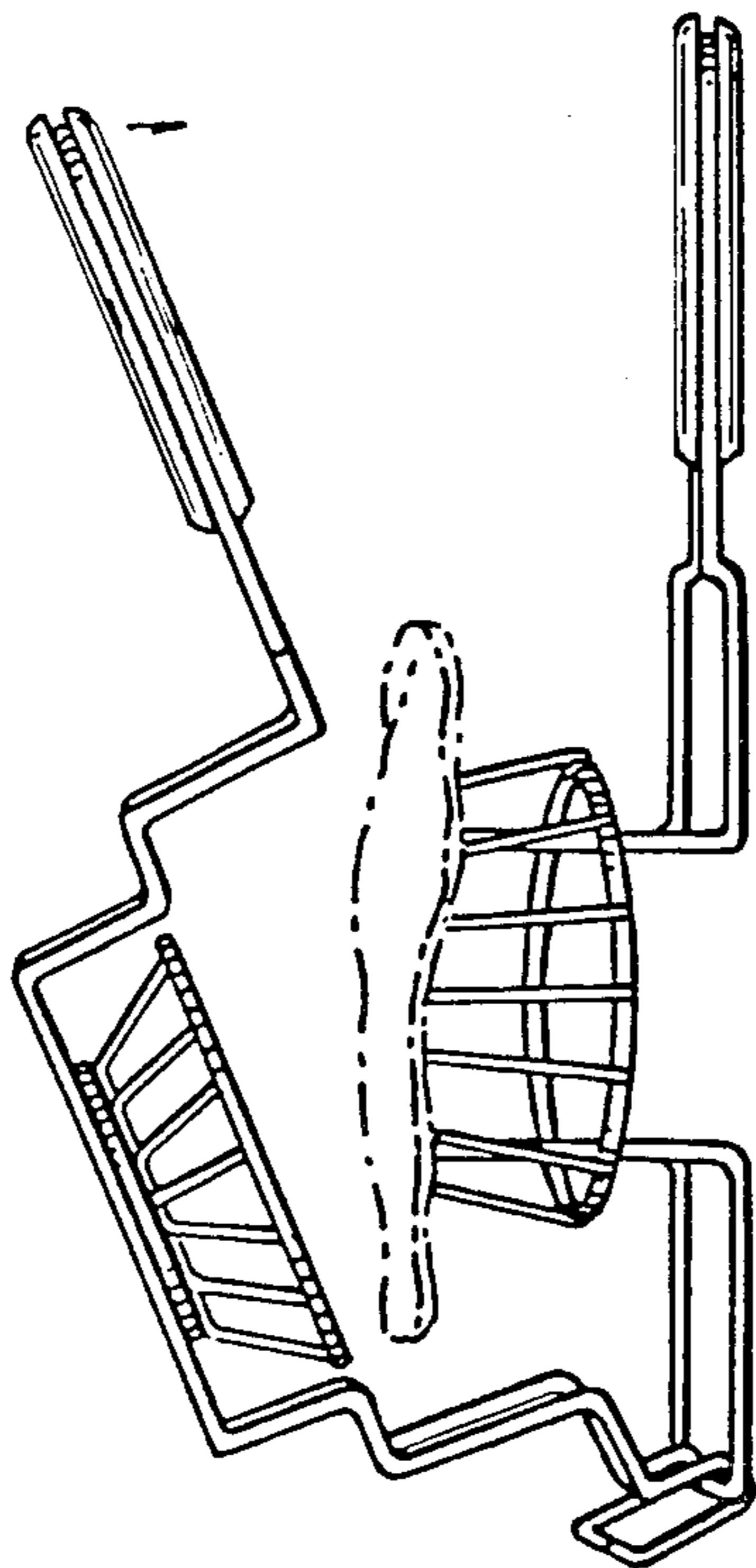


FIG. 6

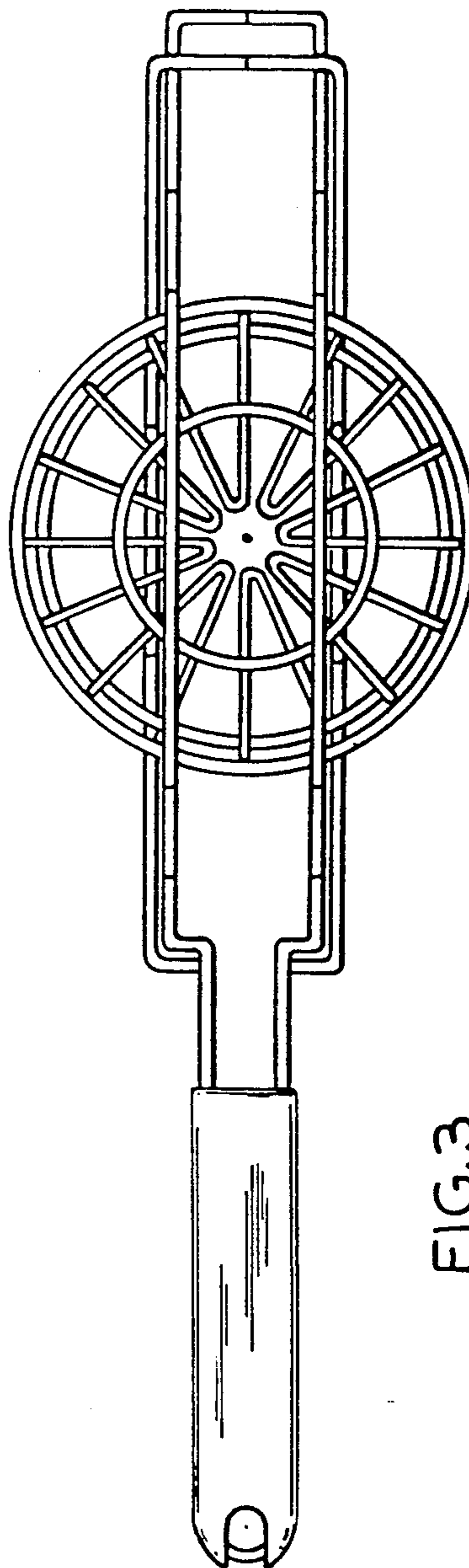


FIG. 3