

[54] **TUB DISPLAY STAND**

- [75] **Inventor:** James M. Hug, Farmington Hills, Mich.  
[73] **Assignee:** Novi Products Company, Novi, Mich.  
[\*\*] **Term:** 14 Years  
[21] **Appl. No.:** 501,529  
[22] **Filed:** Jun. 6, 1983  
[52] **U.S. Cl. ....** D6/449  
[58] **Field of Search ....** D6/480, 486, 536, 537, D6/538, 539, 449, 466; 211/13

[56] **References Cited**

**U.S. PATENT DOCUMENTS**

- D. 72,151 3/1927 Guth ..... D6/480  
D. 100,165 6/1936 Kalpakoff ..... D6/480  
D. 117,581 11/1939 Sanford ..... D6/536  
D. 238,526 1/1976 Bush ..... D6/486

*Primary Examiner*—Carmen H. Vales  
*Attorney, Agent, or Firm*—Cullen, Sloman, Cantor, Grauer, Scott & Rutherford

[57] **CLAIM**

The ornamental design for a tub display stand, substantially as shown.

**DESCRIPTION**

FIG. 1 is a perspective view of a tub display stand showing my new design.  
FIG. 2 is a front elevational view thereof.  
FIG. 3 is a top plan view thereof.  
FIG. 4 is a bottom plan view thereof.  
FIG. 5 is a right side elevational view thereof.  
FIG. 6 is a left side elevational view thereof.  
FIG. 7 is a reduced scale rear elevational view thereof; and  
FIG. 8 is a sectional view taken along line 8—8 of FIG. 2.

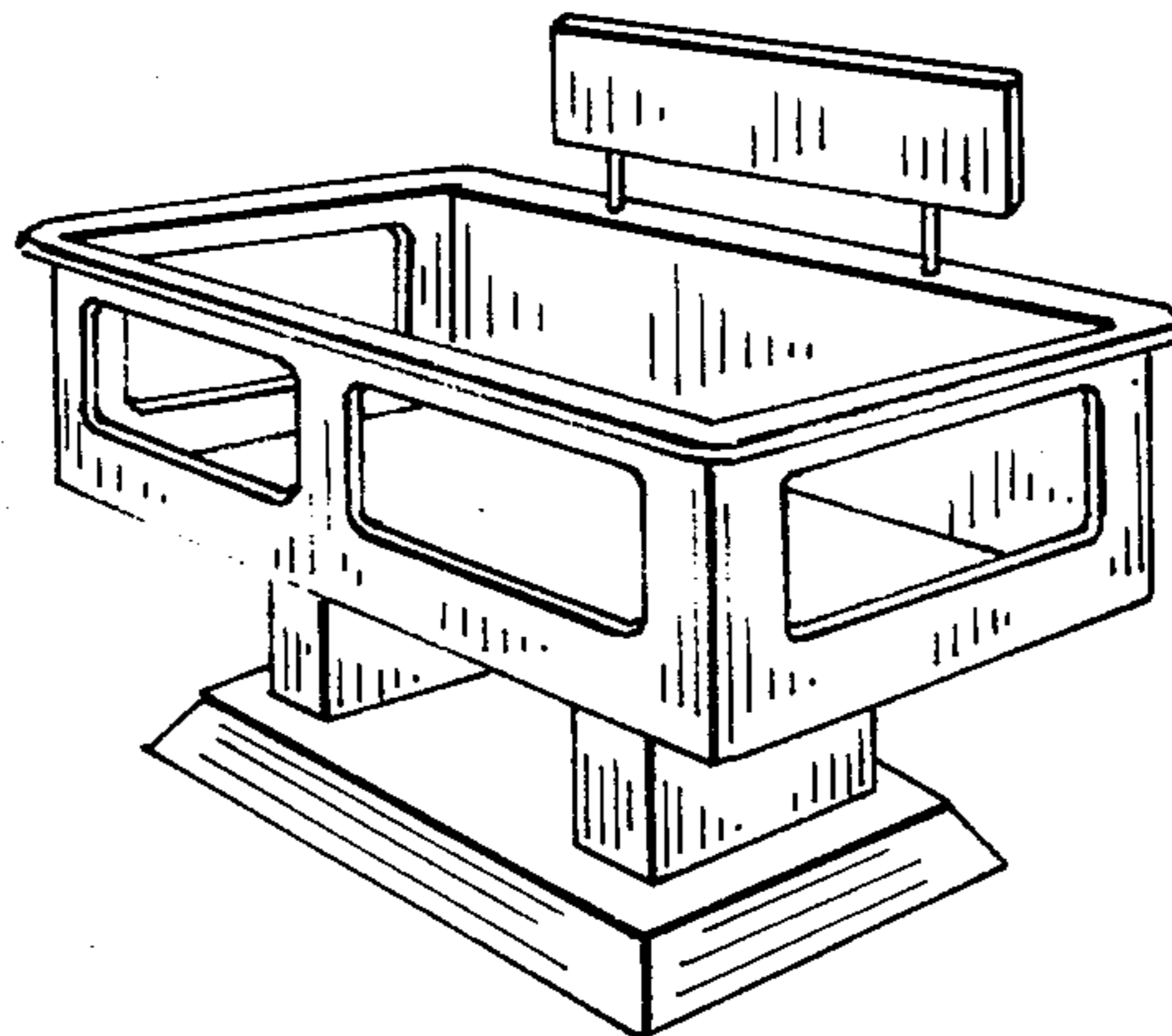


FIG. 1

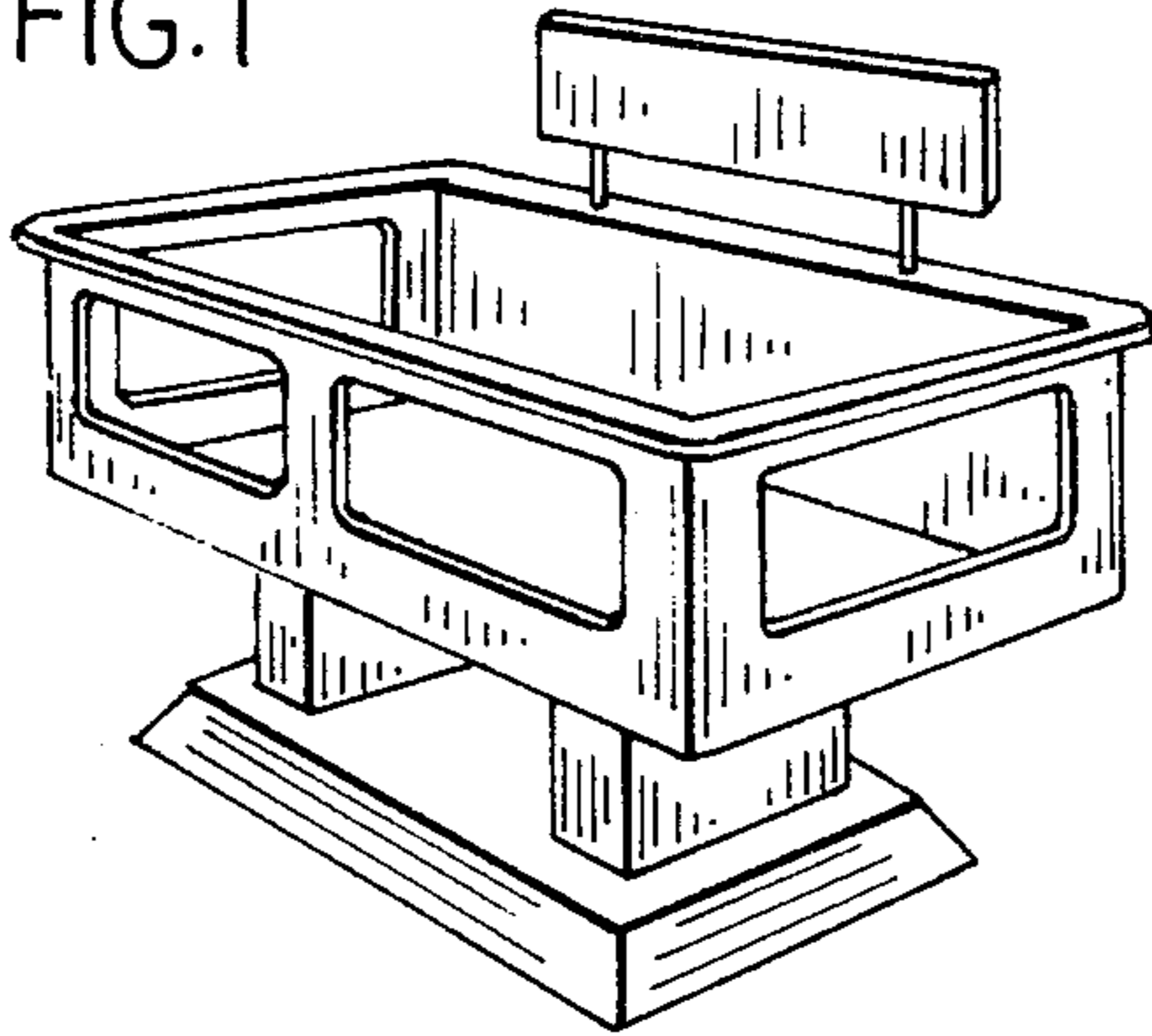


FIG. 7

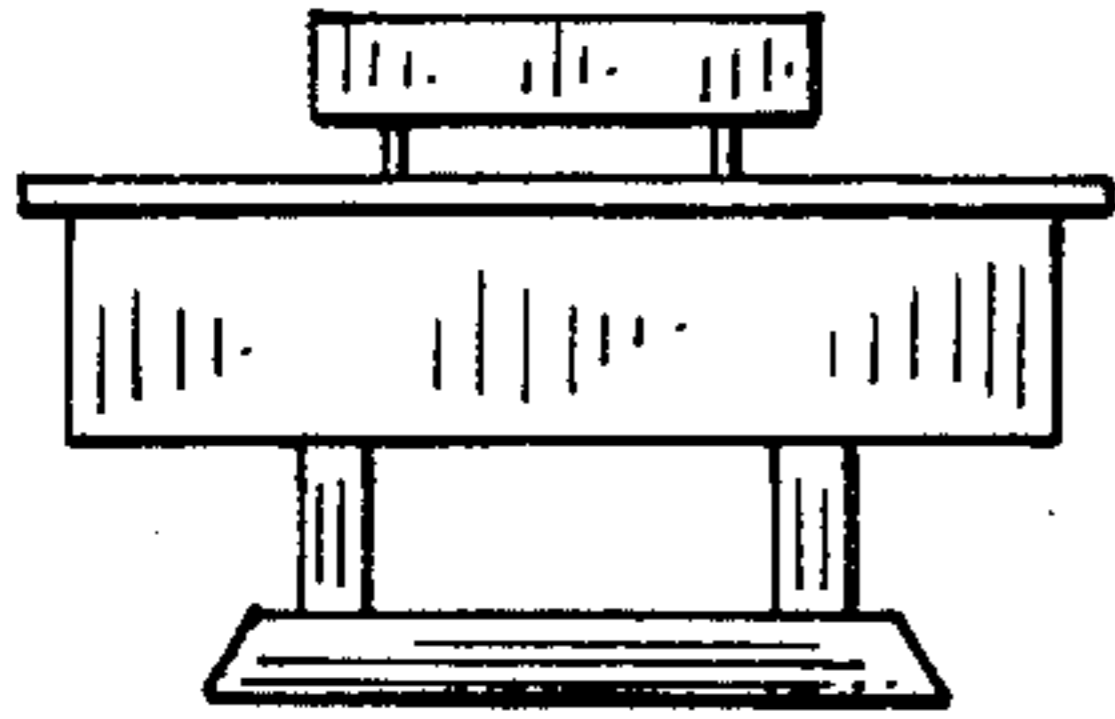


FIG. 8

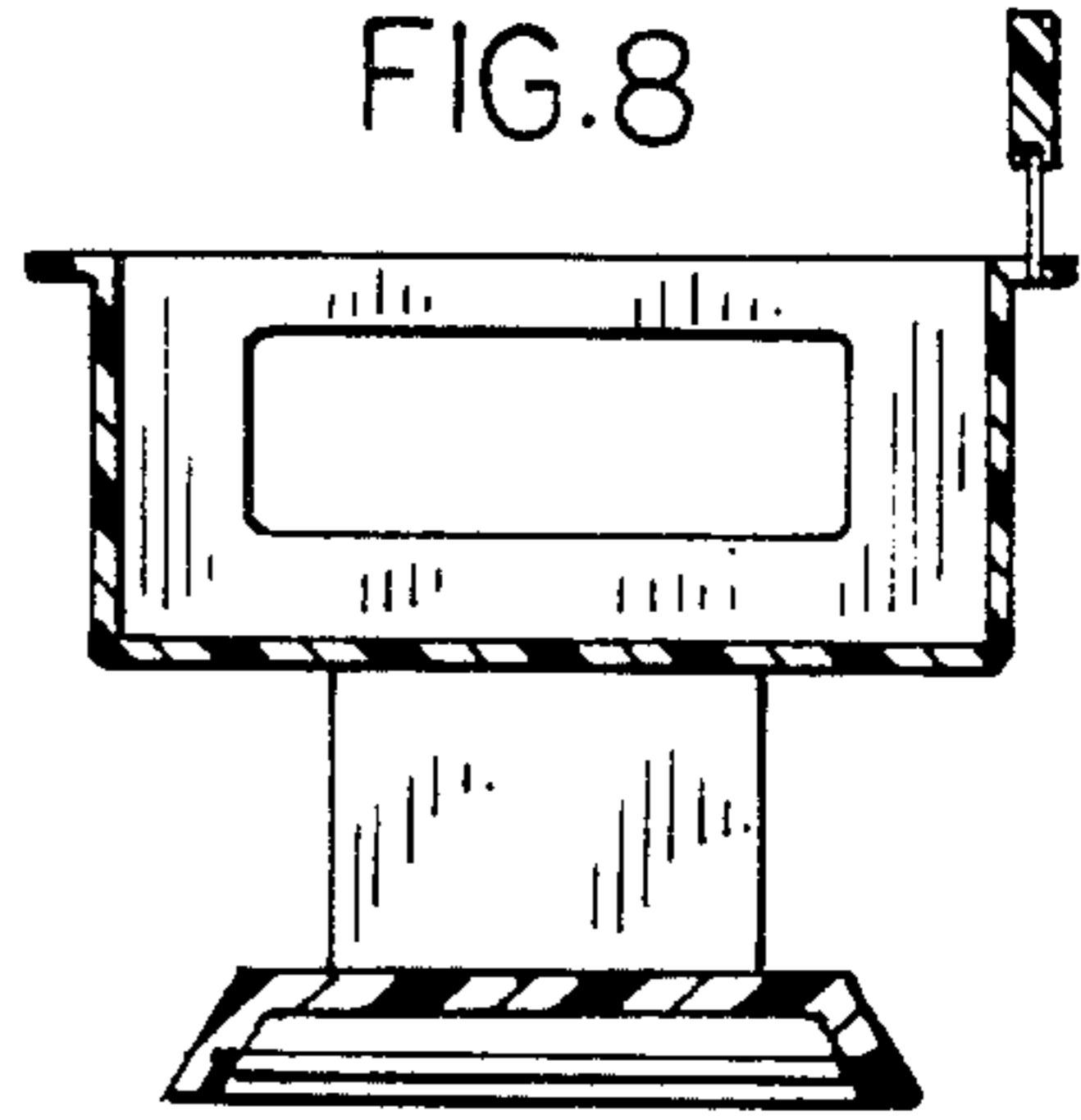


FIG. 3

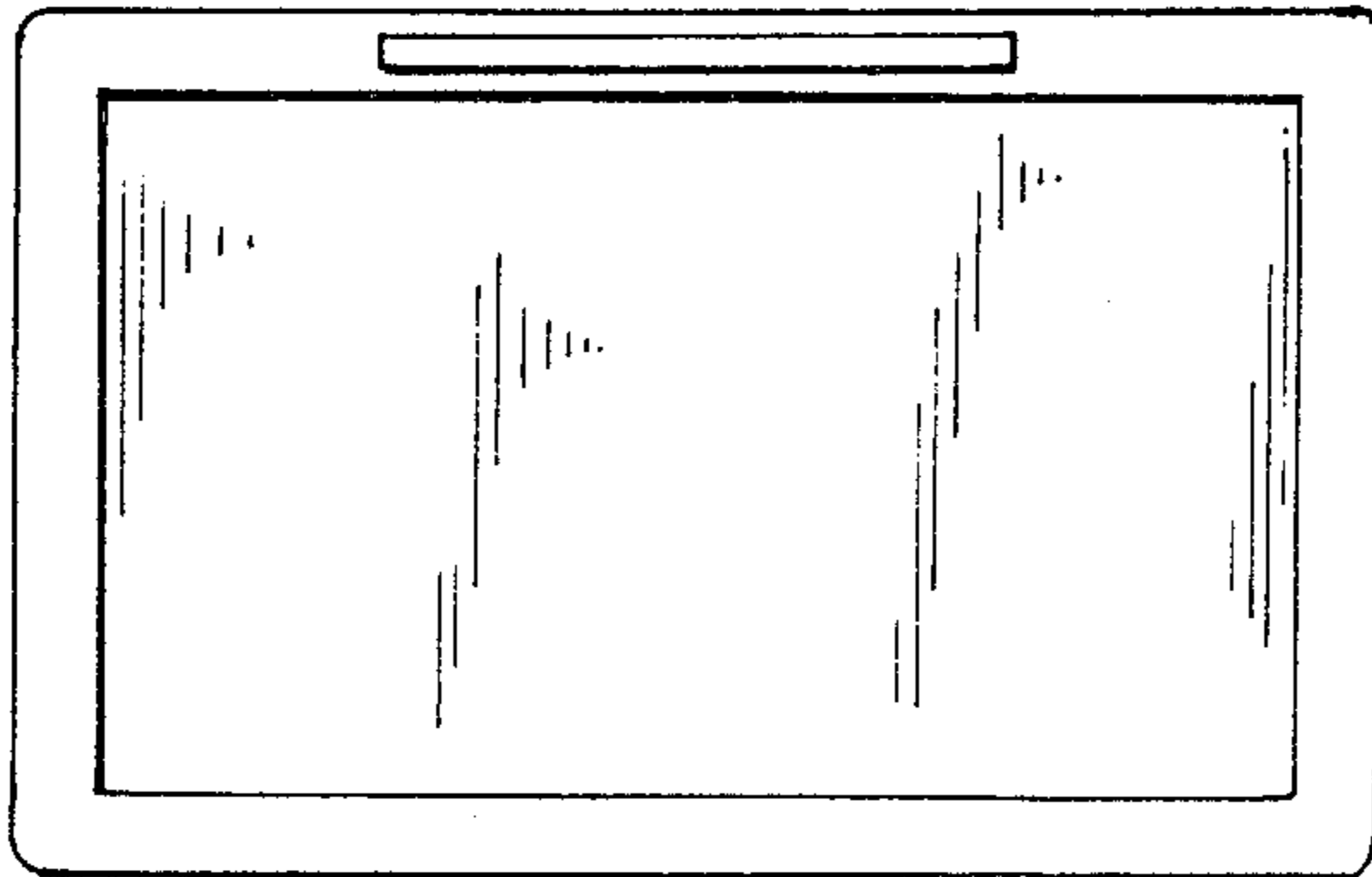
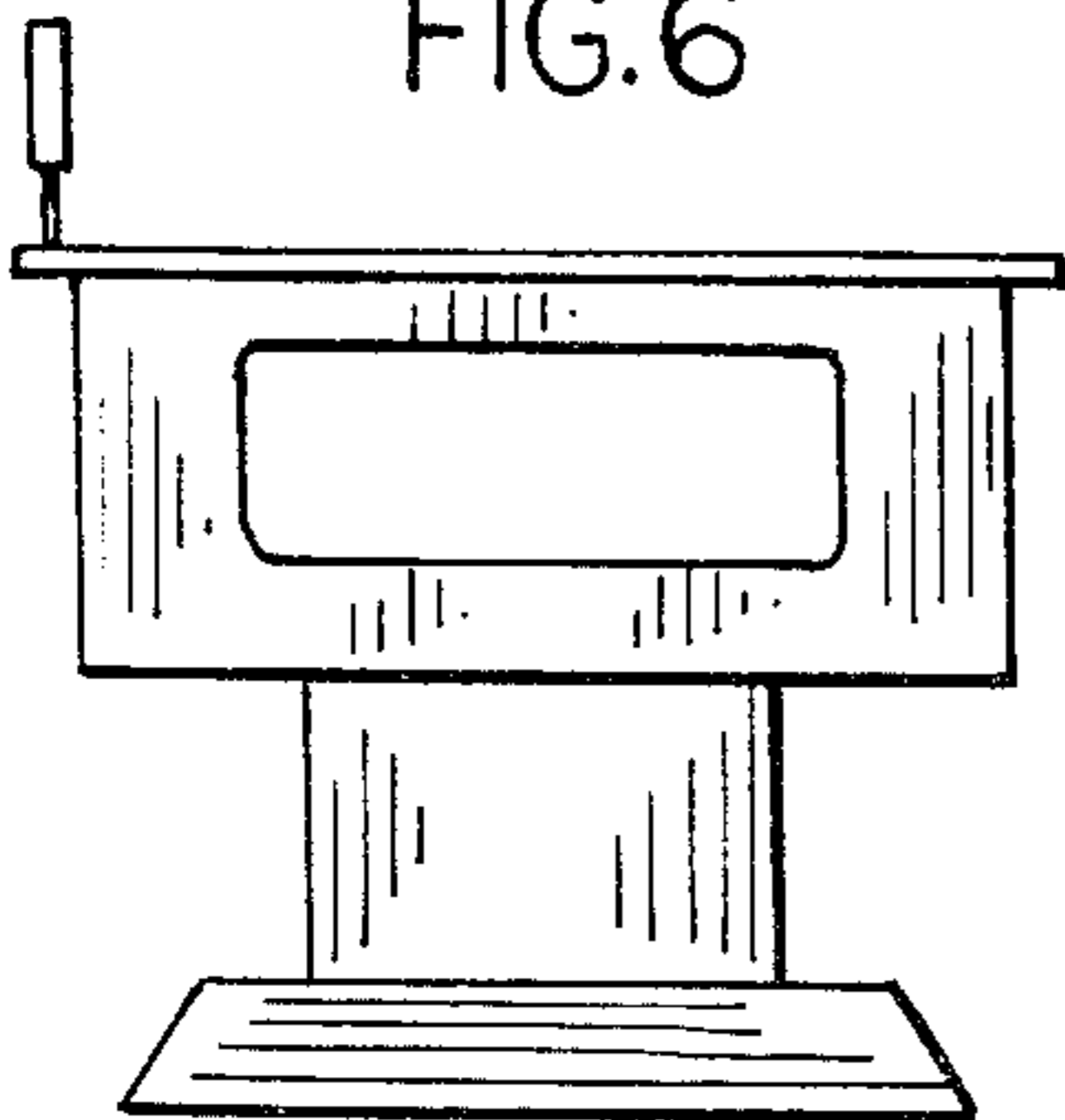


FIG. 6



8

FIG. 2

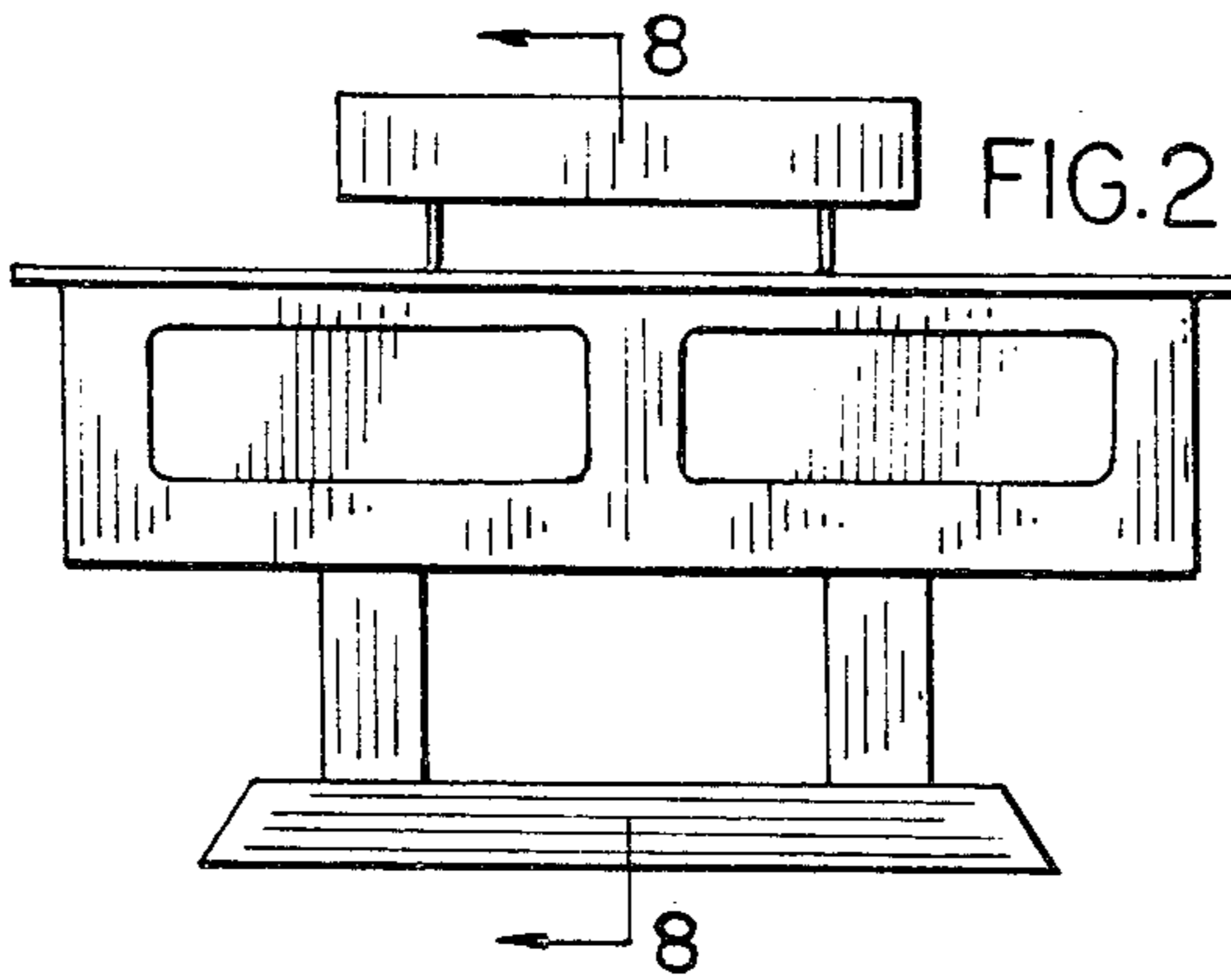
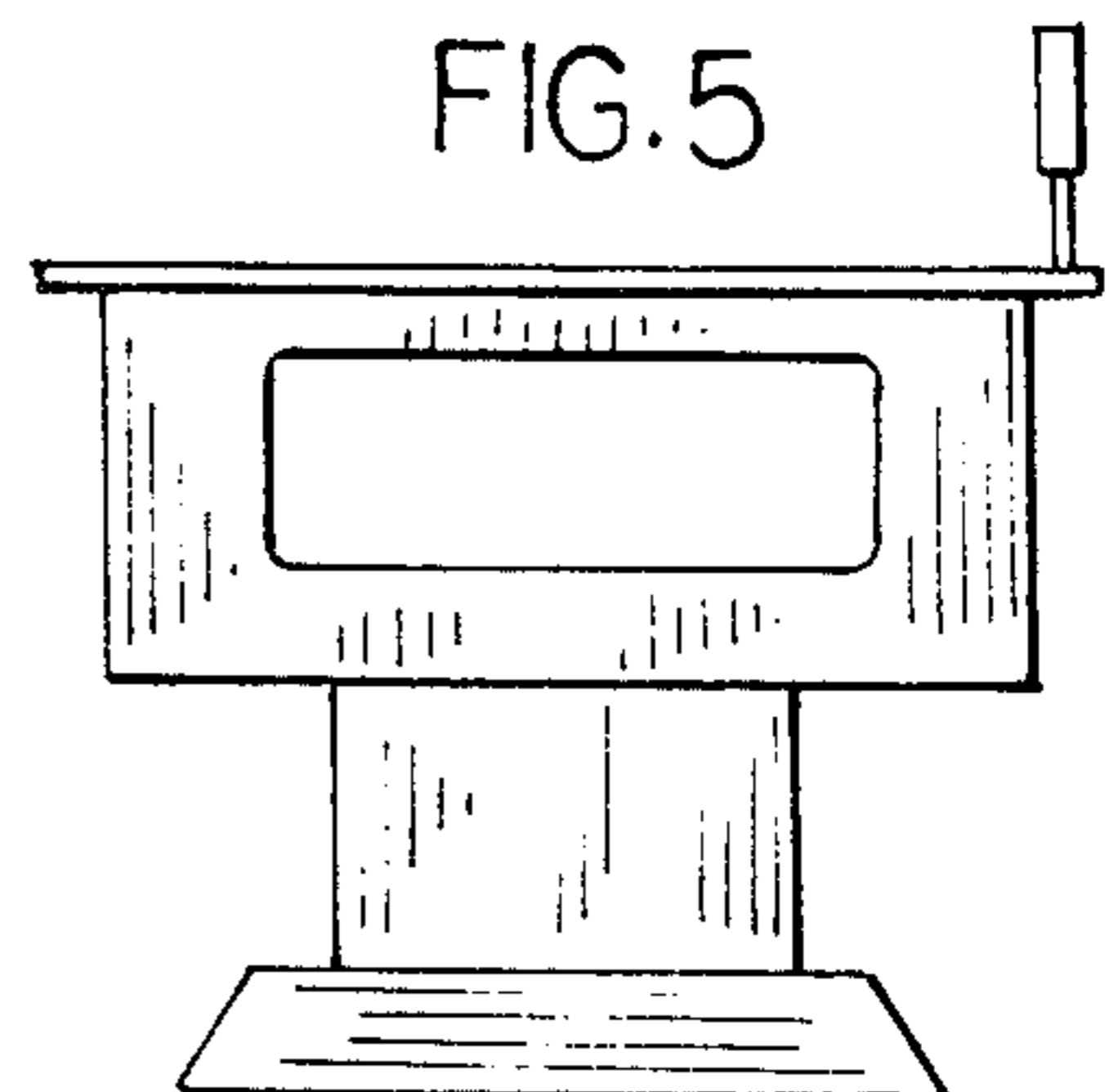


FIG. 5



8

FIG. 4

