

[54] SKI WAXING BENCH

[76] Inventors: James E. Vincent, 221 S. Midvale Blvd., Madison, Wis. 53705; Rex Rylander, 2725 Canter Ave., Madison, Wis. 53704

[\*\*] Term: 14 Years

[21] Appl. No.: 348,417

[22] Filed: Feb. 12, 1982

[52] U.S. Cl. .... D6/429; D6/368; D6/400

[58] Field of Search ..... D6/85, 20, 28, 175, D6/177, 178, 179, 181

[56] References Cited

U.S. PATENT DOCUMENTS

D. 188,399 7/1960 Link ..... D6/85

D. 235,948 7/1975 Nerrie ..... D6/85  
D. 269,485 6/1983 Beall ..... D6/85

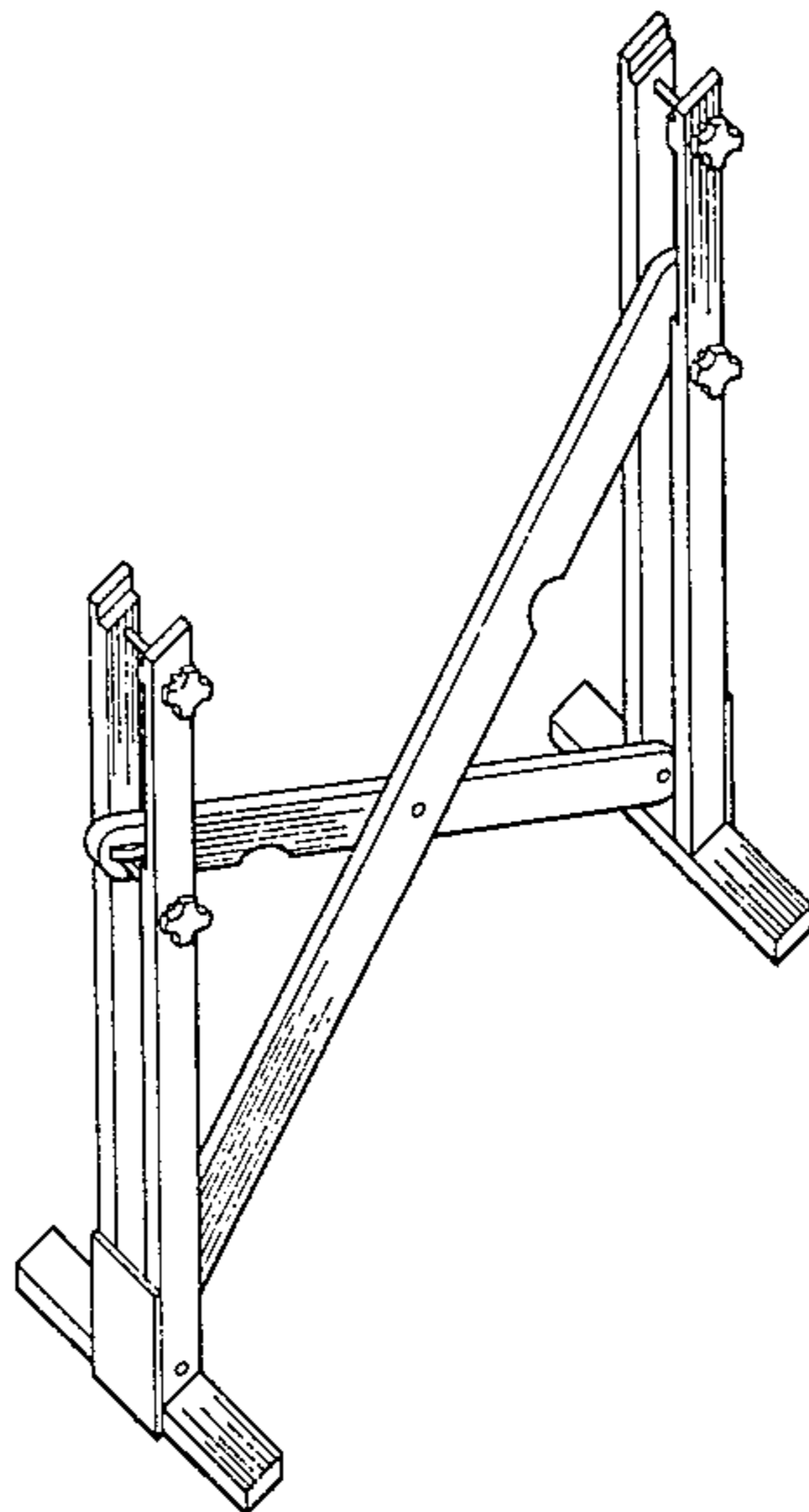
Primary Examiner—Bruce W. Dunkins  
Attorney, Agent, or Firm—Keith Schoff

[57] CLAIM

The ornamental design for a ski waxing bench, as shown.

DESCRIPTION

FIG. 1 is a front perspective view of a collapsible support stand for waxing skis showing our design; FIG. 2 is a front perspective view thereof in collapsed position; FIG. 3 is a rear elevational view; FIG. 4 is a bottom plan view of the support stand in collapsed position; and FIG. 5 is a rear perspective view of the support stand shown in FIG. 1.



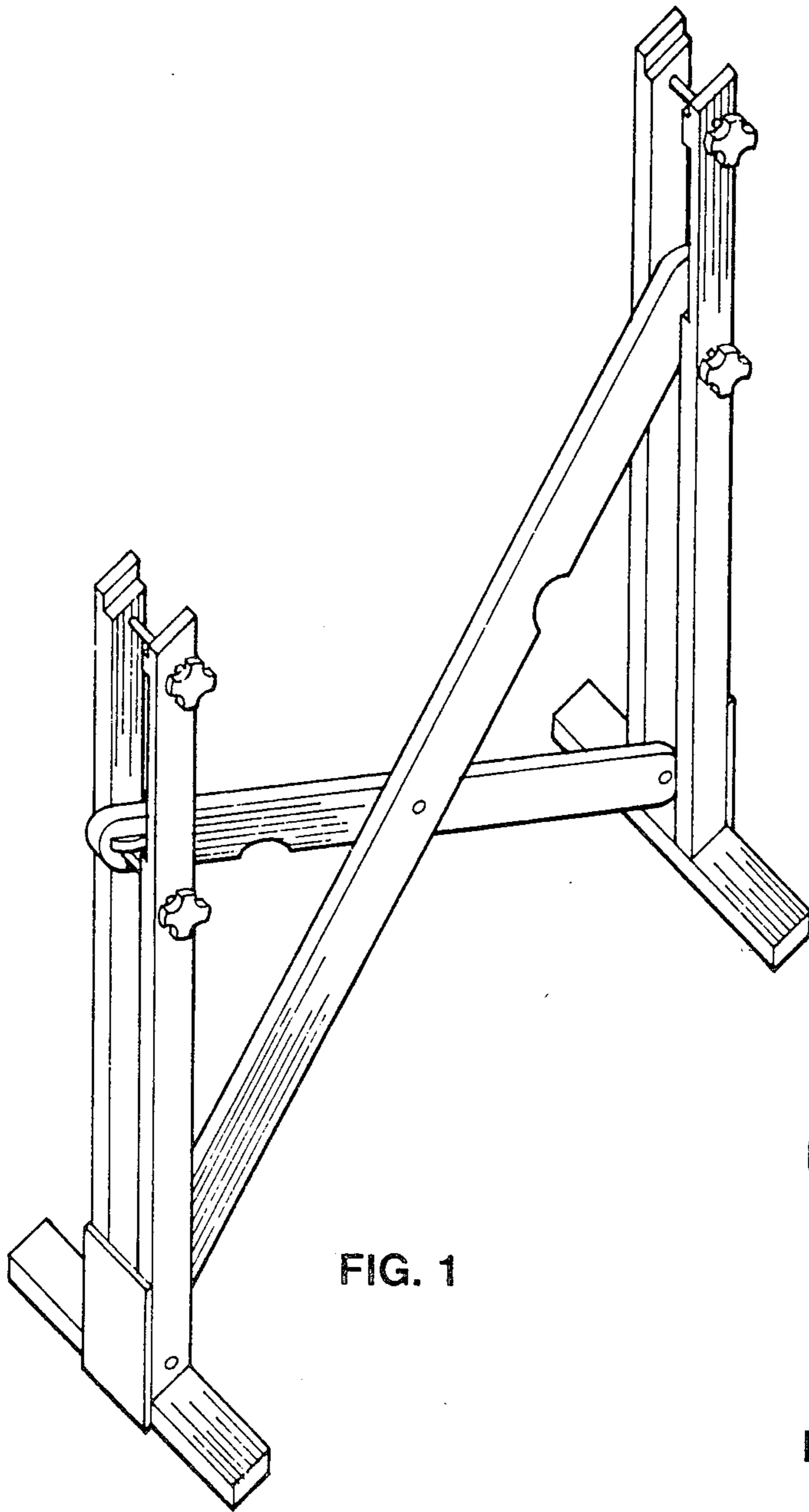


FIG. 1

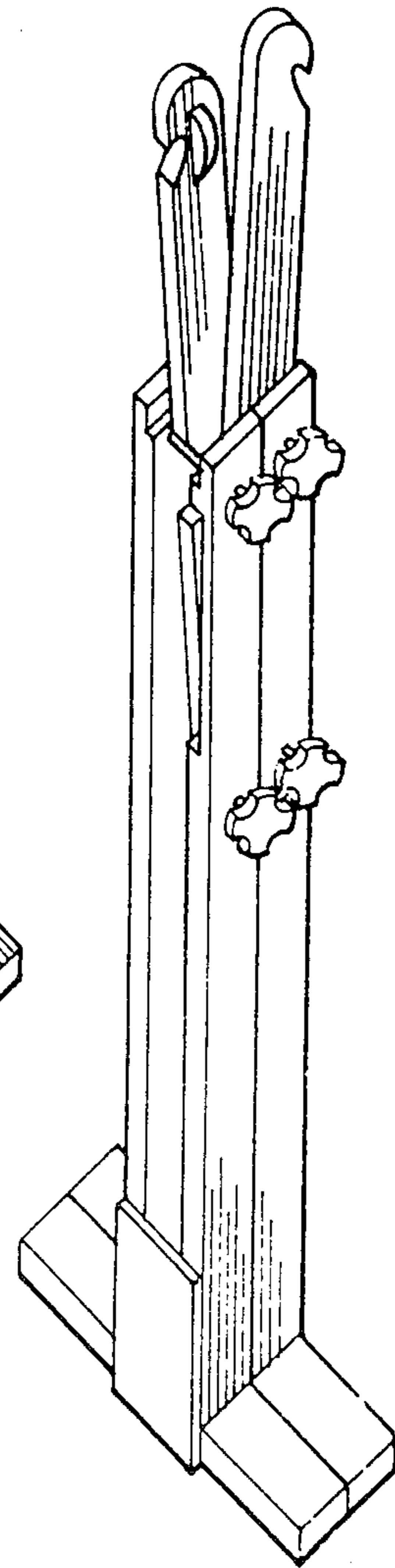


FIG. 2

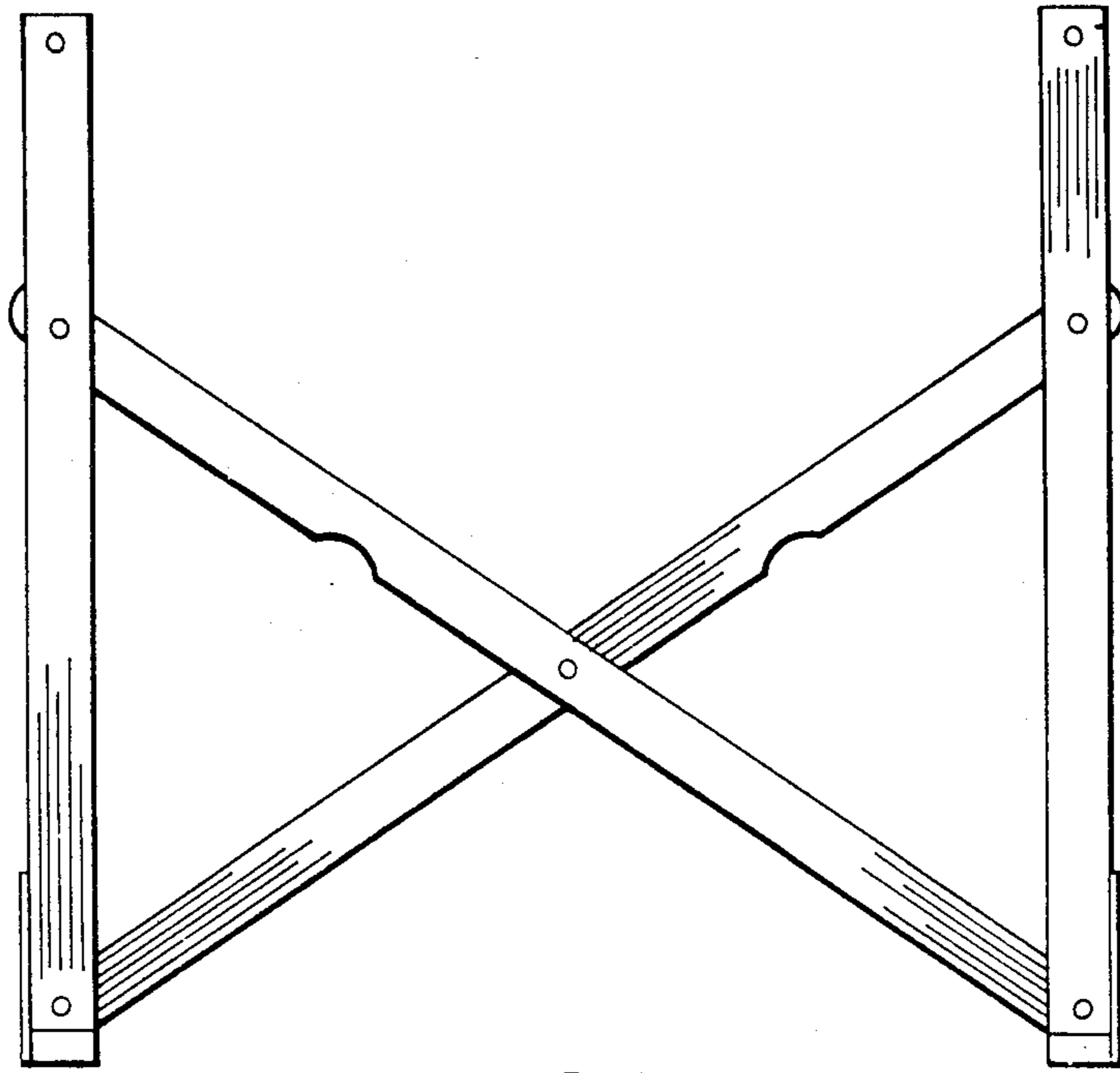


FIG. 3

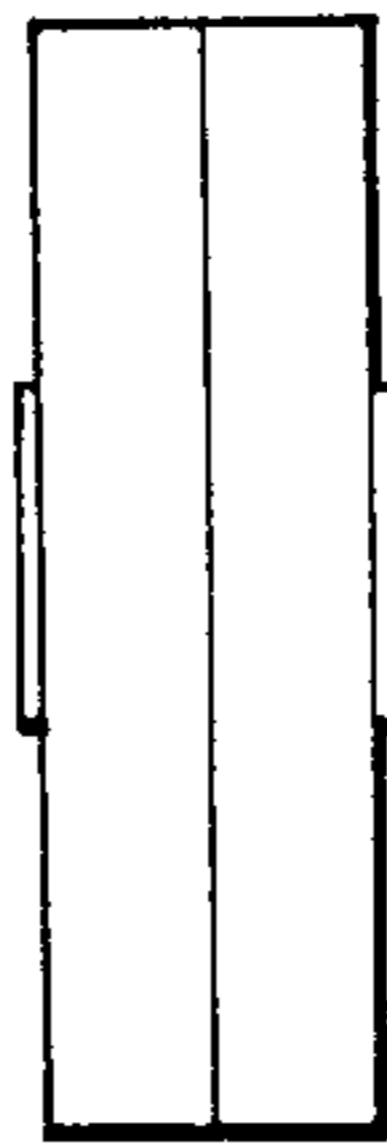


FIG. 4

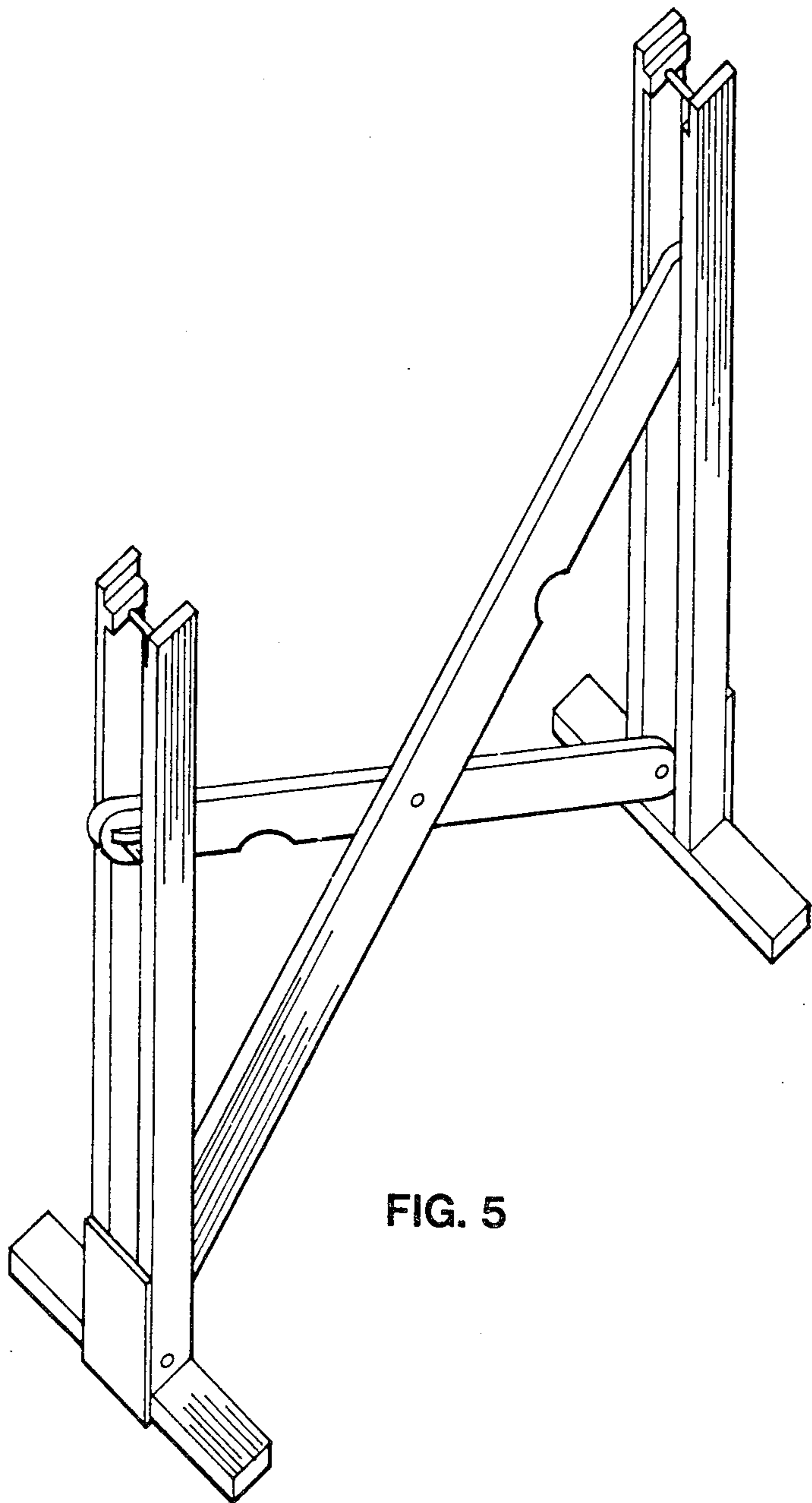


FIG. 5