

[54] ARM CHAIR

[75] Inventor: Didier Deconinck, Seyssins, France

[73] Assignee: Allibert S.A., Grenoble, France

[**] Term: 14 Years

[21] Appl. No.: 511,712

[22] Filed: Jul. 7, 1983

[52] U.S. Cl. D6/368

[58] Field of Search D6/333, 334, 367, 368, D6/370, 374, 375; 297/311, 313, 350

[56] References Cited

U.S. PATENT DOCUMENTS

- D. 263,435 3/1982 Deconinck D6/368
- D. 269,653 7/1983 Deconinck D6/368
- D. 276,106 10/1984 Grosfillex D6/368

D. 276,107 10/1984 Grosfillex D6/368

Primary Examiner—Bruce W. Dunkins
Attorney, Agent, or Firm—Young & Thompson

[57] CLAIM

The ornamental design for an arm chair, as shown and described.

DESCRIPTION

FIG. 1 is a front and side perspective view of an arm chair showing my new design;
 FIG. 2 is a front perspective view thereof;
 FIG. 3 is a side perspective view thereof;
 FIG. 4 is a top view thereof;
 FIG. 5 is a rear perspective view thereof;
 FIG. 6 is a bottom plan view thereof; and
 FIG. 7 is a front perspective view thereof in folded condition.

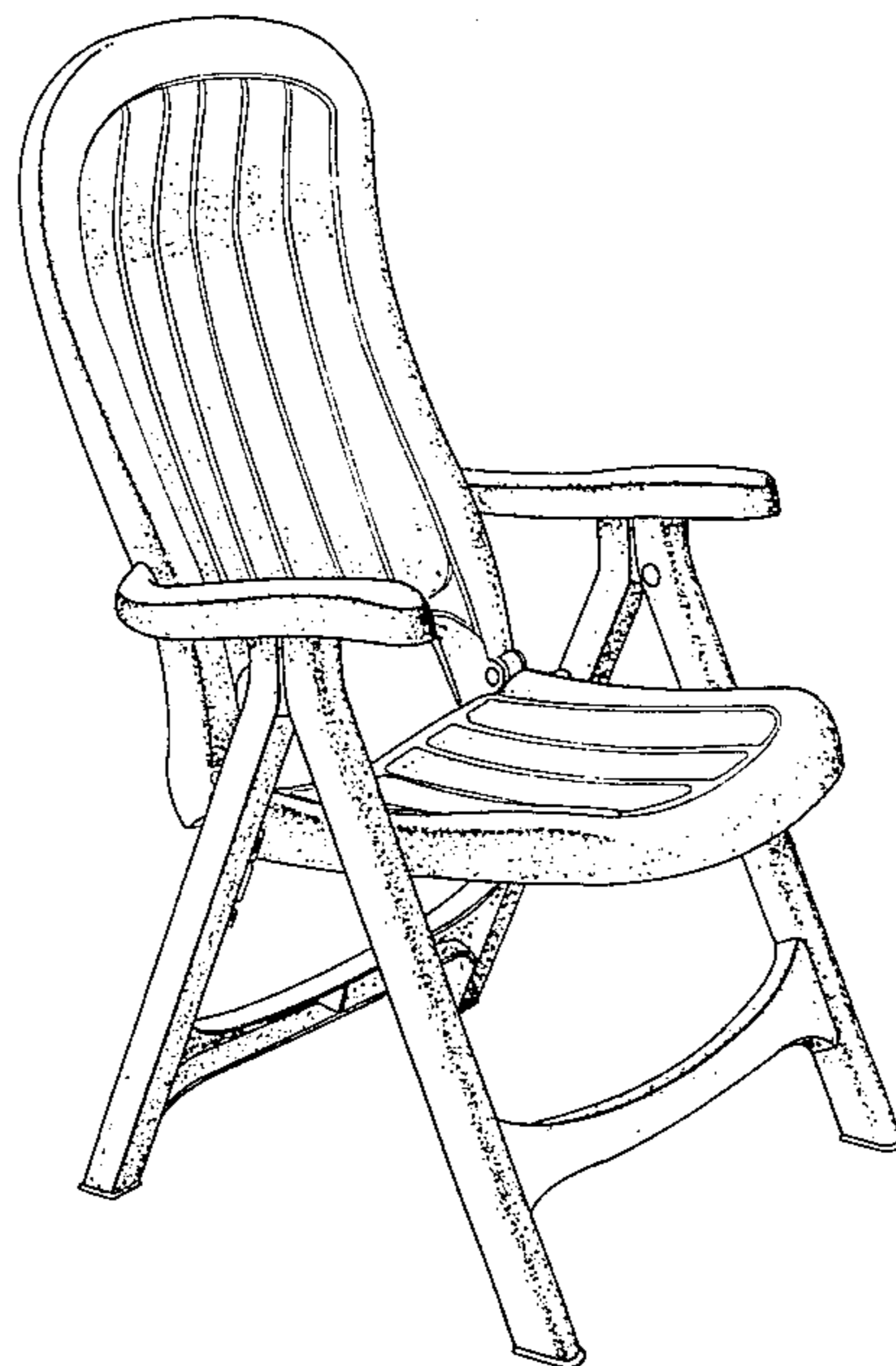


FIG. 2

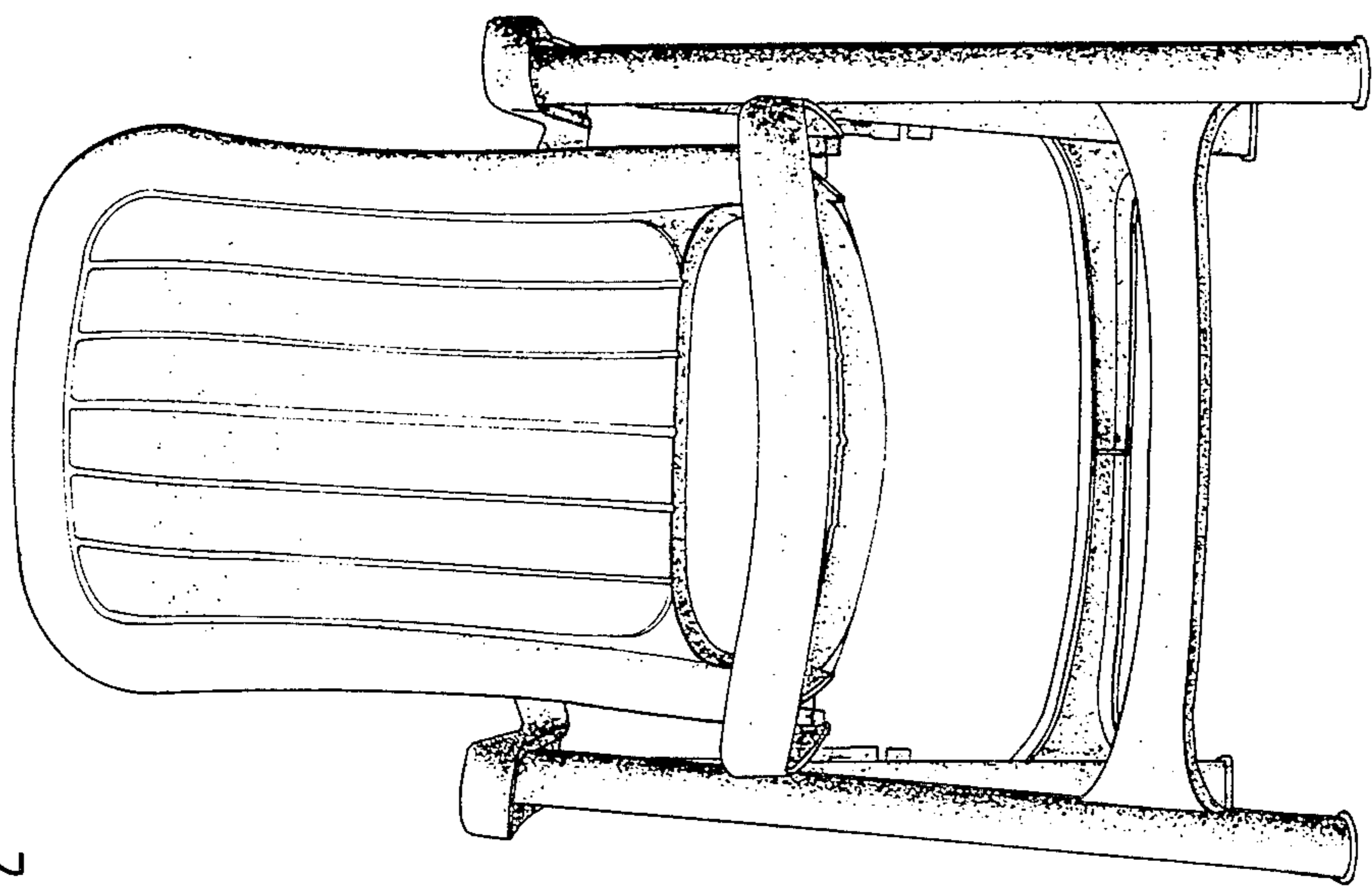


FIG. 1

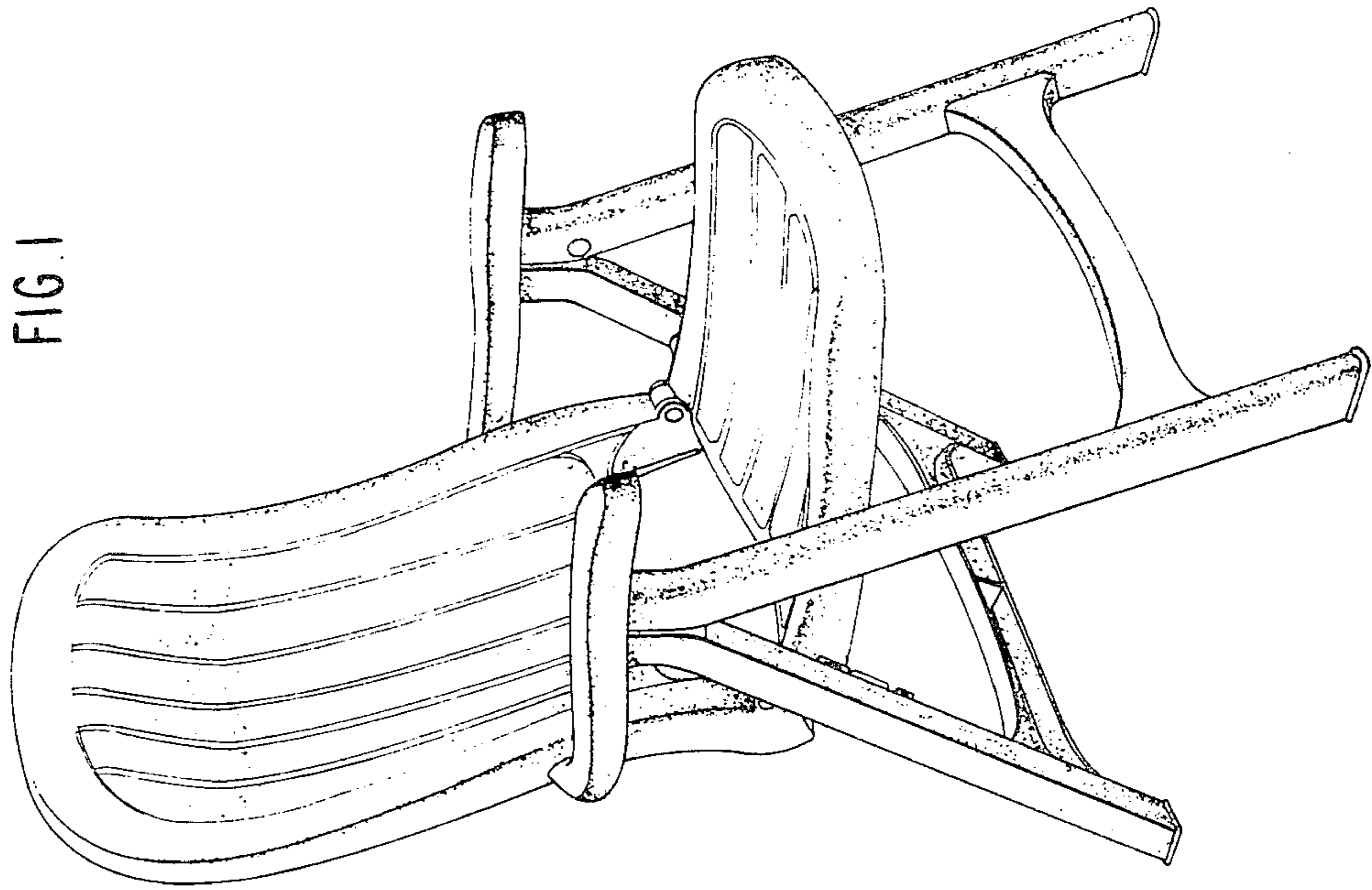


FIG. 4

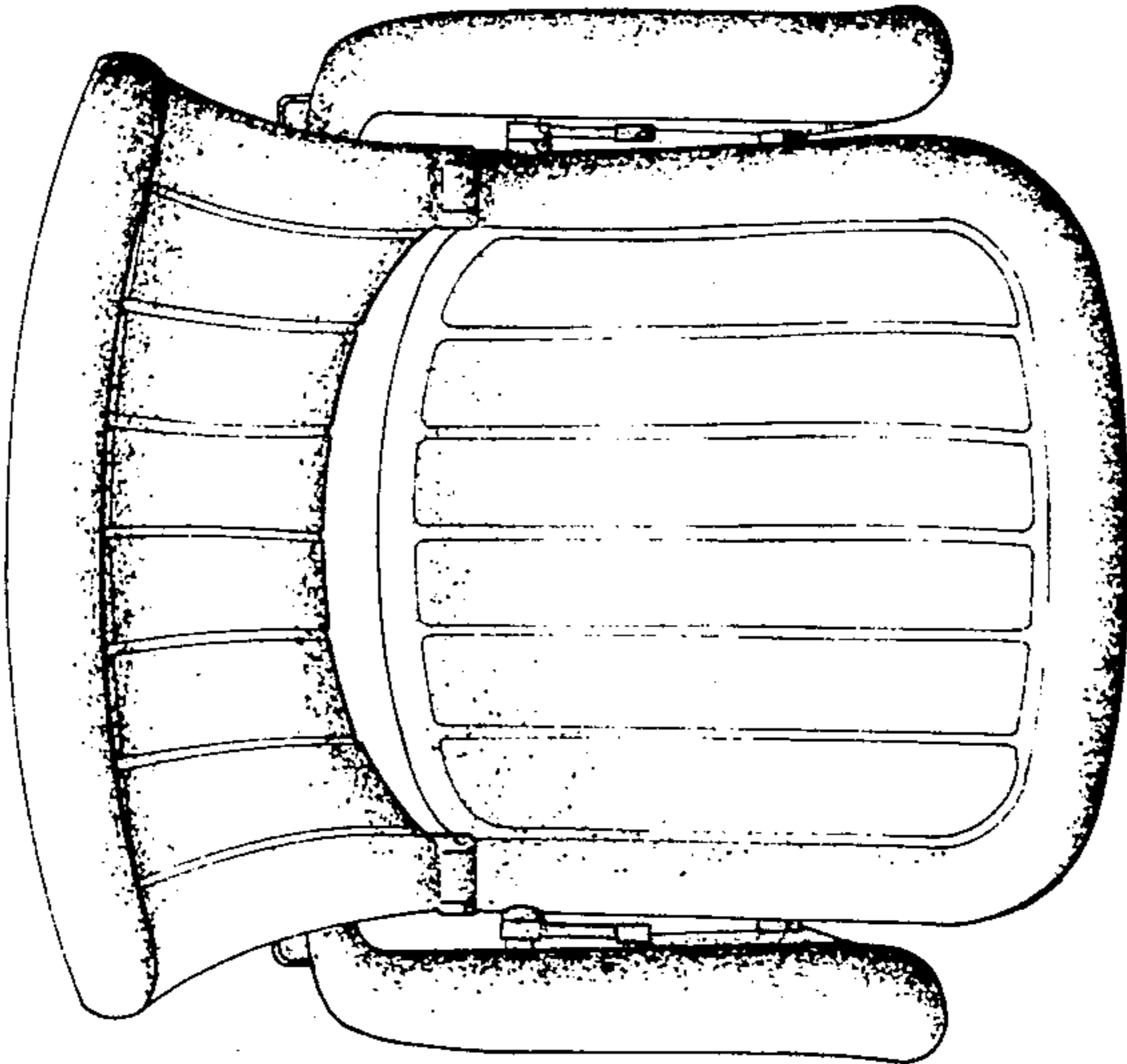
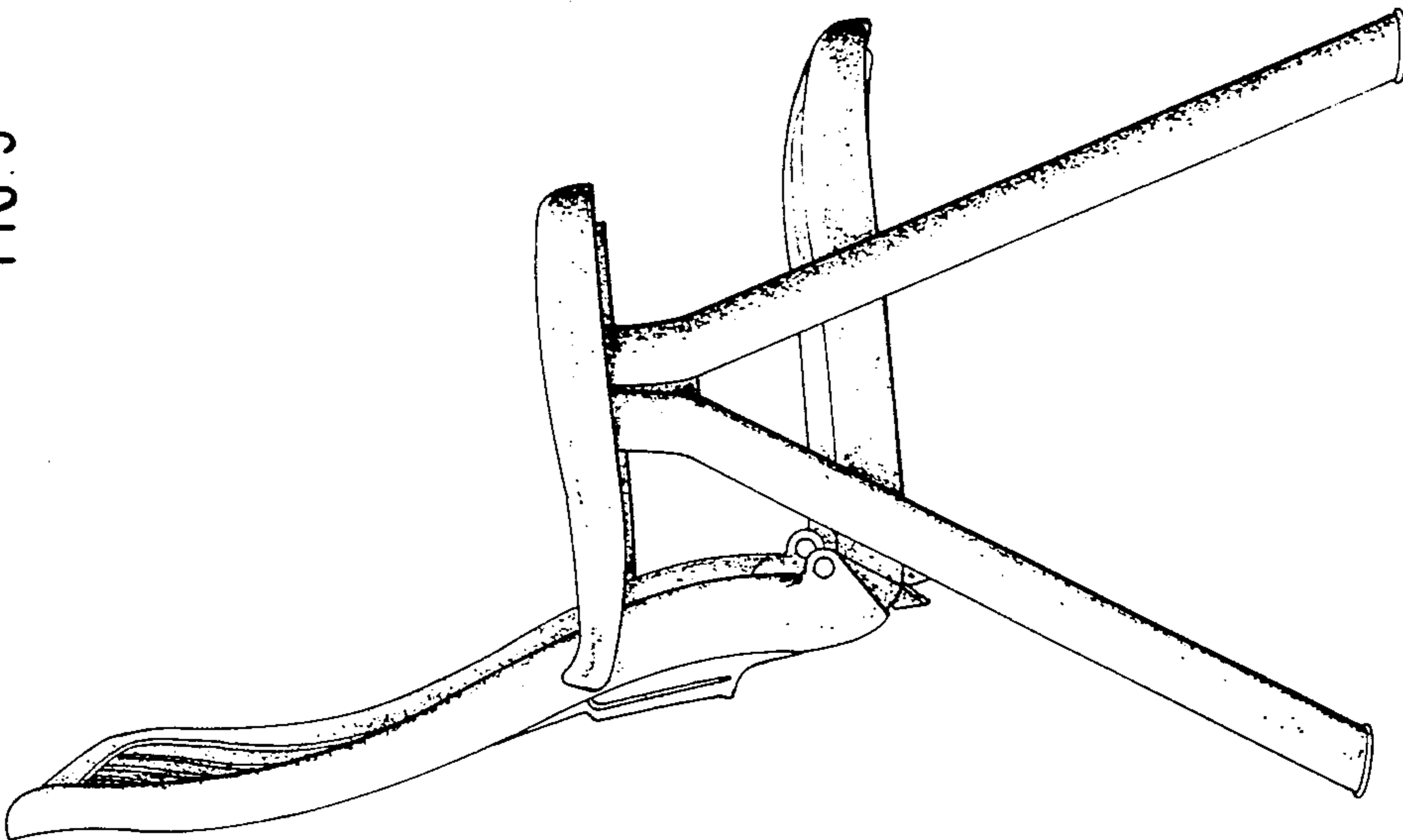


FIG. 3



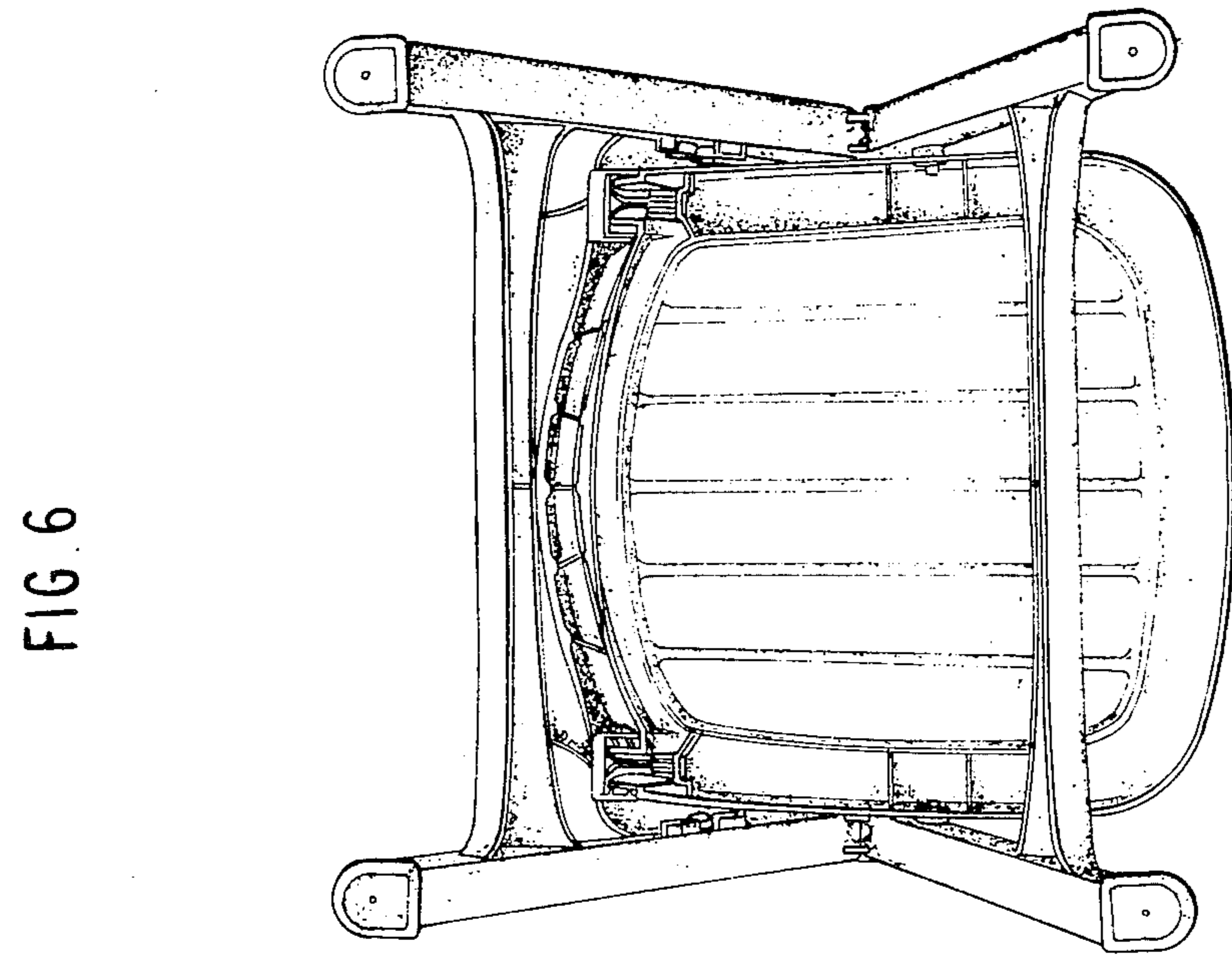


FIG. 6

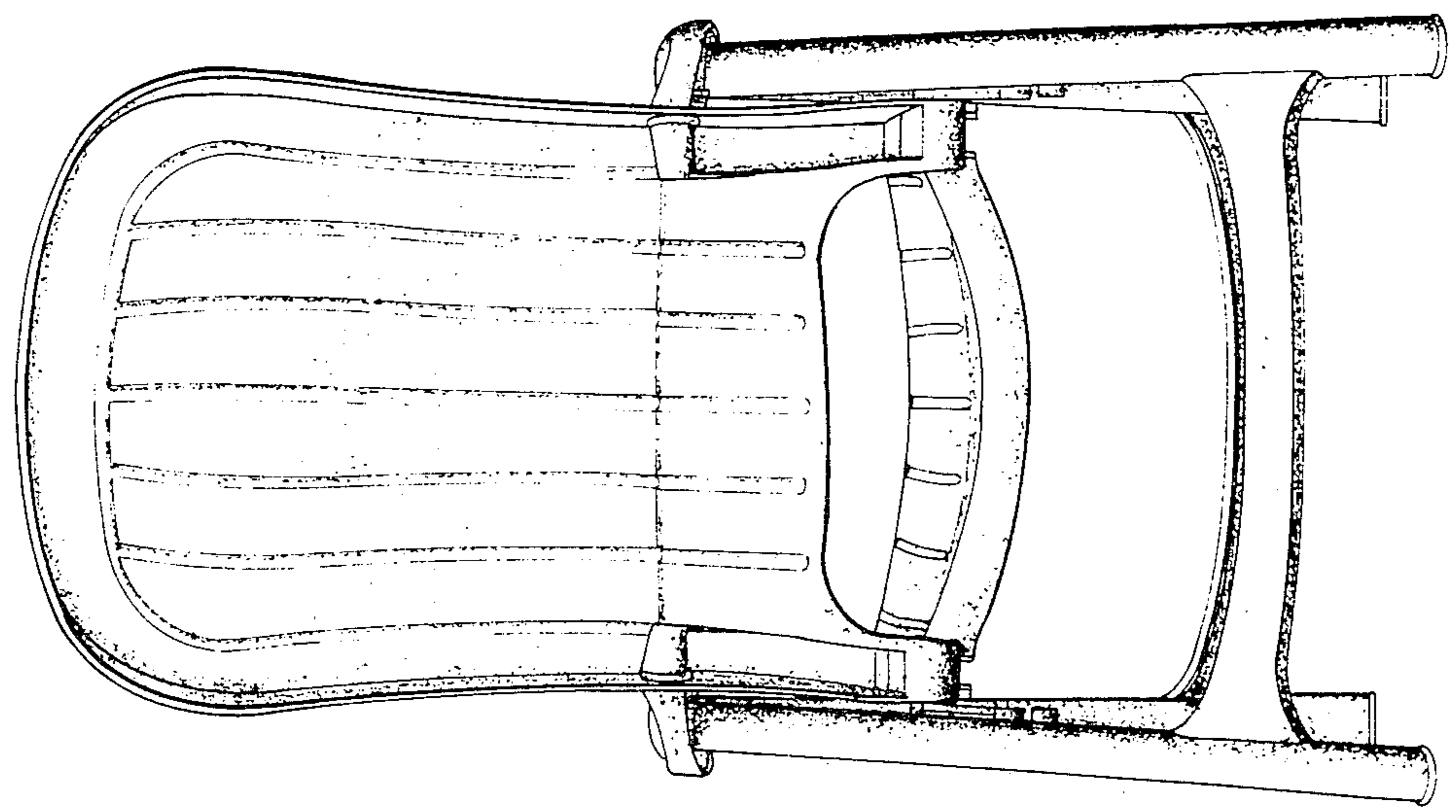


FIG. 5

FIG. 7

