

[54] **COMBINED TIE AND BELT HANGER**

[75] **Inventors: William D. Arnold; Paul F. Bertram,**
both of St. Louis, Mo.

[73] **Assignee: Lee-Rowan Company, St. Louis, Mo.**

[**] **Term: 14 Years**

[21] **Appl. No.: 524,762**

[22] **Filed: Aug. 19, 1983**

[52] **U.S. Cl. D6/317; D6/327**

[58] **Field of Search D6/315-319,**
D6/326-328, 513, 552; 211/70.5, 70.6, 113,
119; 248/302; 223/85, 87, 88, 91, 92, 93, 95, 96

[56] **References Cited**

FOREIGN PATENT DOCUMENTS

0258771 12/1967 Austria 211/70.5
0976747 12/1964 United Kingdom 248/228

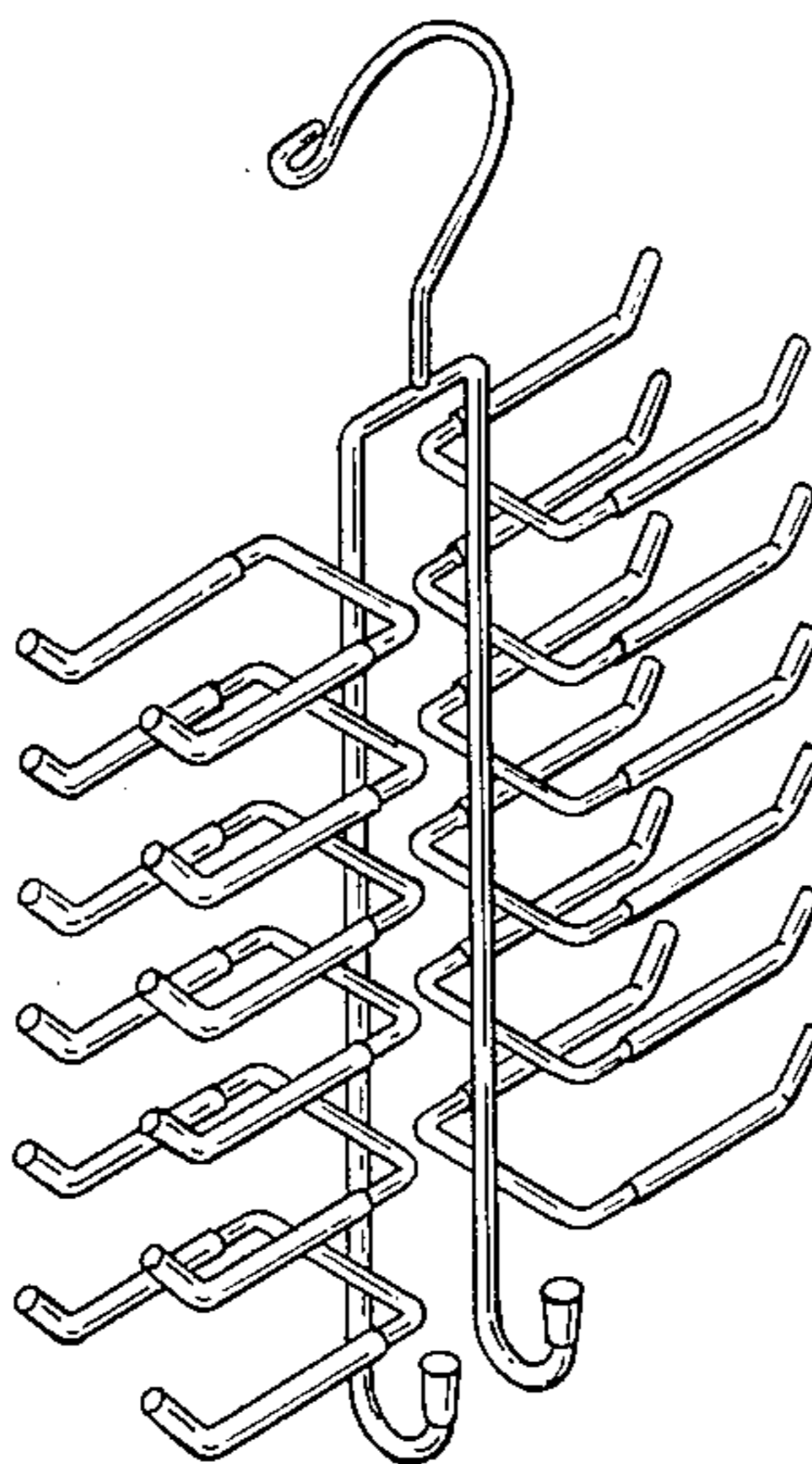
Primary Examiner—B. J. Bullock
Attorney, Agent, or Firm—Rogers, Howell, Renner,
Moore & Haferkamp

[57] **CLAIM**

The ornamental design for a combined tie and belt hanger, substantially as shown and described.

DESCRIPTION

FIG. 1 is a reduced perspective view of a combined tie and belt hanger embodying our new design; FIG. 2 is a left side elevational view thereof; FIG. 3 is a top plan view thereof; FIG. 4 is a front elevational view thereof; FIG. 5 is a right side elevational view thereof; and FIG. 6 is a bottom plan view thereof.



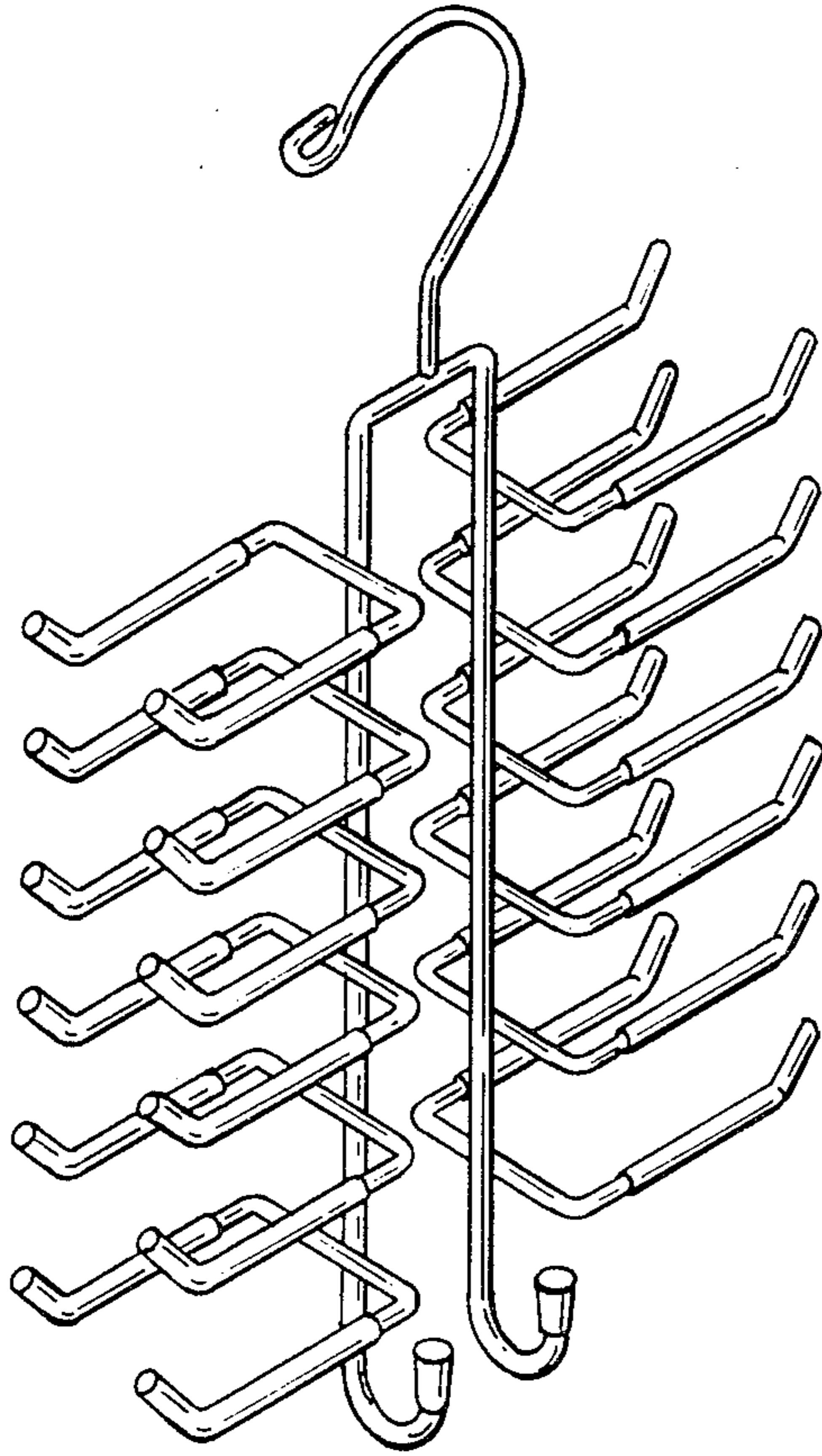


FIG. 1.

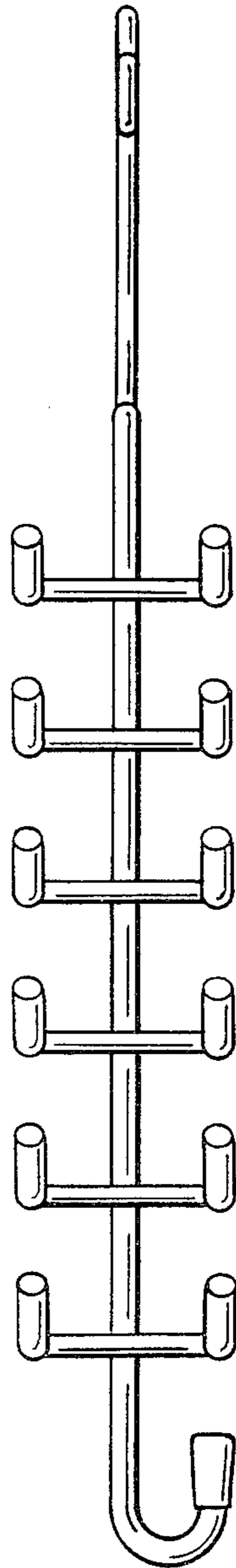


FIG. 2.

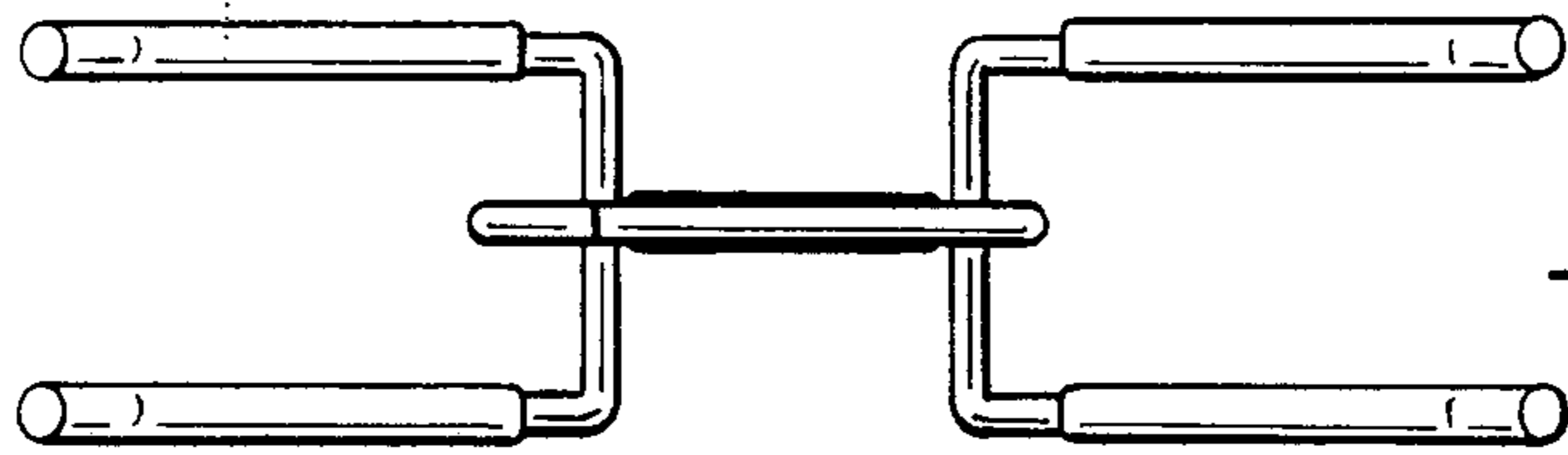


FIG. 3.

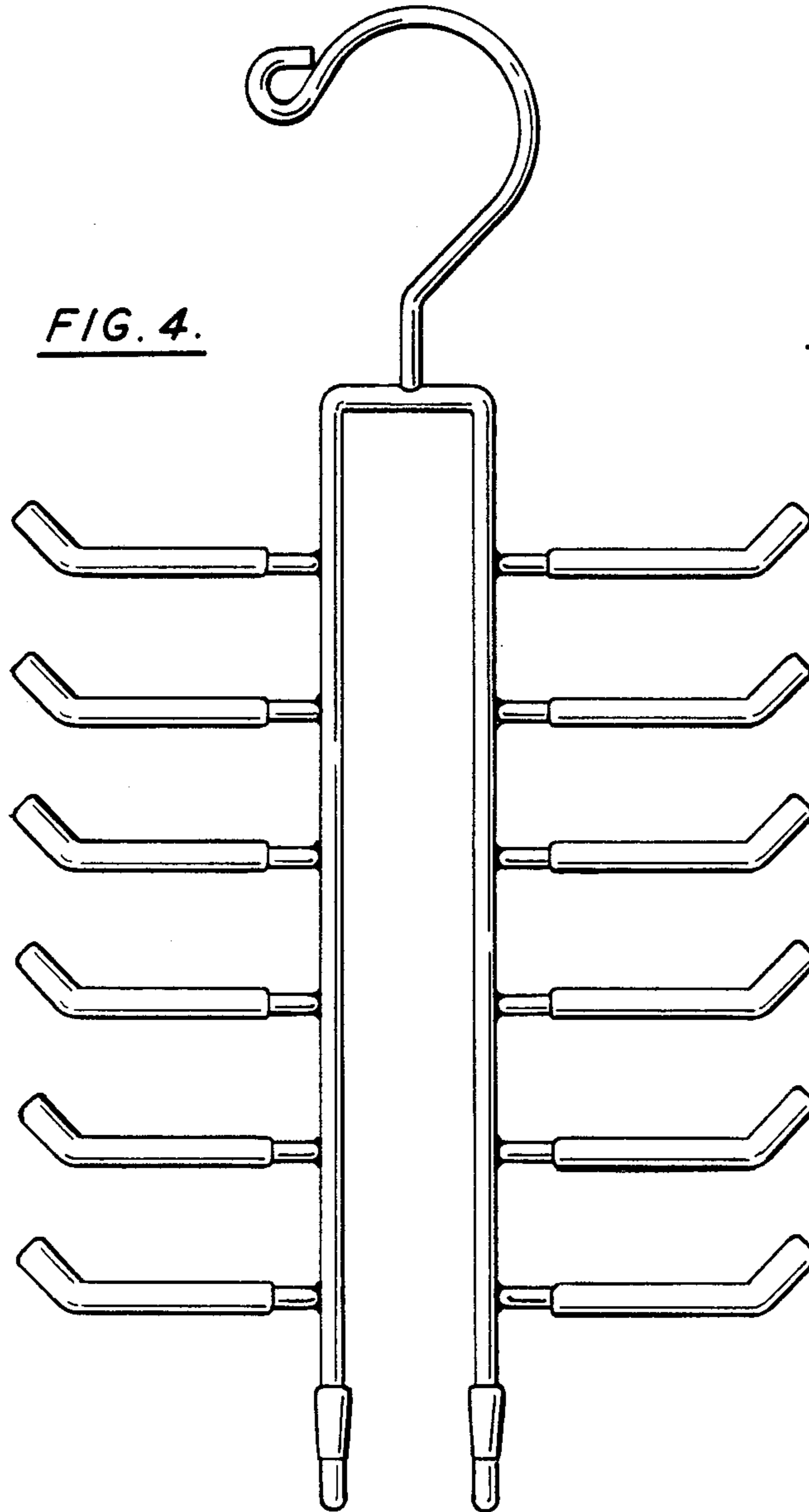


FIG. 4.

FIG. 5.

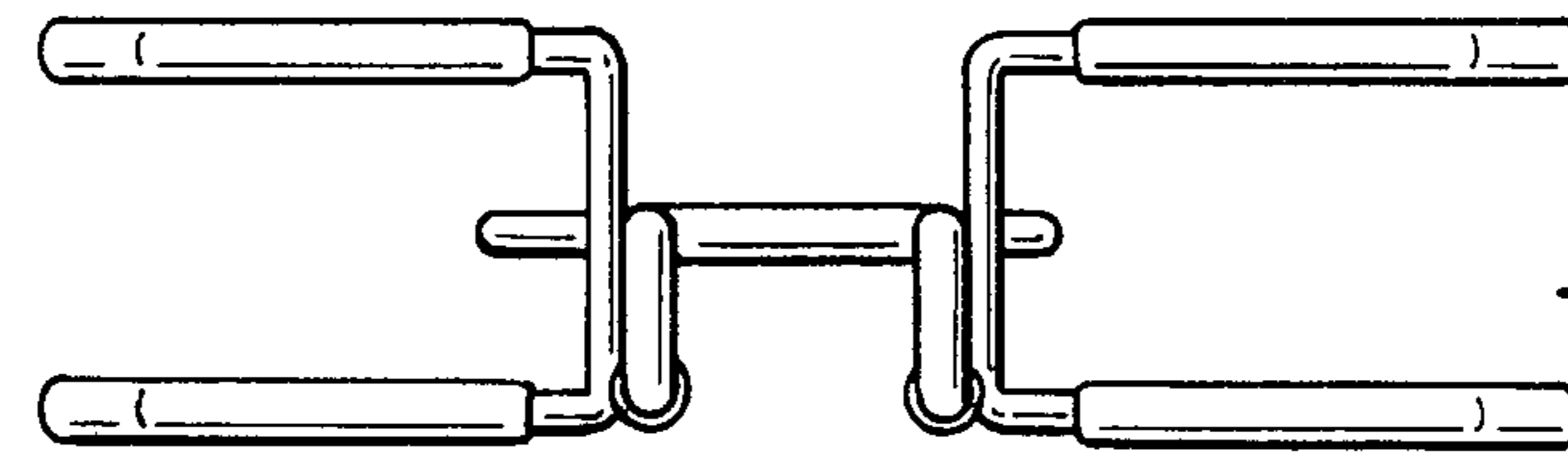
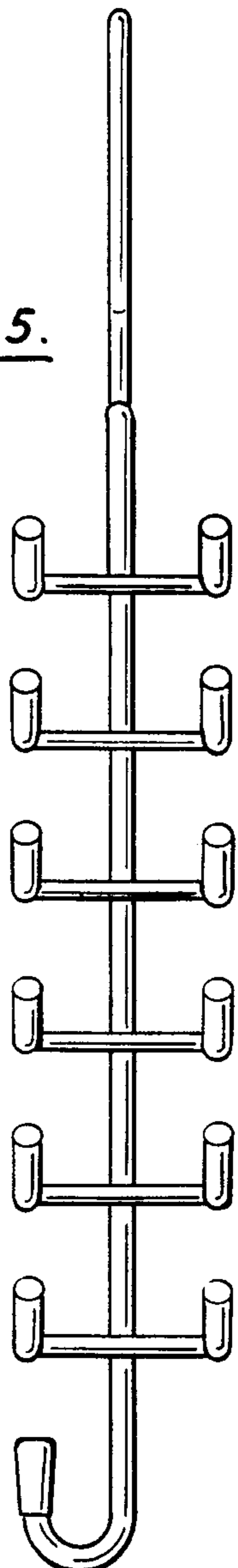


FIG. 6.