

[54] CABINET FOR AUTOMATED BANK
TELLER MACHINE

[76] Inventor: Ned D. Brown, 5111 Webster St.,
Dayton, Ohio 45414

[**] Term: 14 Years

[21] Appl. No.: 533,520

[22] Filed: Sep. 19, 1983

[52] U.S. Cl. D99/28

[58] Field of Search D99/28, 43, 99;
D14/100, 102, 105, 106, 115; 109/10, 24.1, 66,
19; 186/37; 232/1 D, 1 R, 1 E; 235/379-382;
D25/16

[56] References Cited

U.S. PATENT DOCUMENTS

- D. 140,242 2/1945 Wemyss D6/471 X
- D. 245,023 7/1977 Hermann D14/105 X

OTHER PUBLICATIONS

- Sweet's Arch. Catalog, 1981, 11.1 Di, p. 19, Teller Machine, bottom page.
- Sweet's Arch. Catalog, 1976, 11.1 Di, p. 6, Teller Machine, top page.
- Sweet's Arch. Catalog, 1976, 11.1 Mo, p. 9, Teller Machine.

Primary Examiner—Bernard Ansher
 Assistant Examiner—Terry Pfeffer
 Attorney, Agent, or Firm—Jacox & Meckstroth

[57] CLAIM

The ornamental design of a cabinet for automated bank teller machine, substantially as shown and described.

DESCRIPTION

- FIG. 1 is a top, front, left side perspective view of a cabinet for automated bank teller machine showing my new design;
- FIG. 2 is a front elevational view thereof;
- FIG. 3 is a right side elevational view thereof;
- FIG. 4 is a top plan view thereof;
- FIG. 5 is a bottom plan view thereof; and
- FIG. 6 is a rear elevational view thereof.

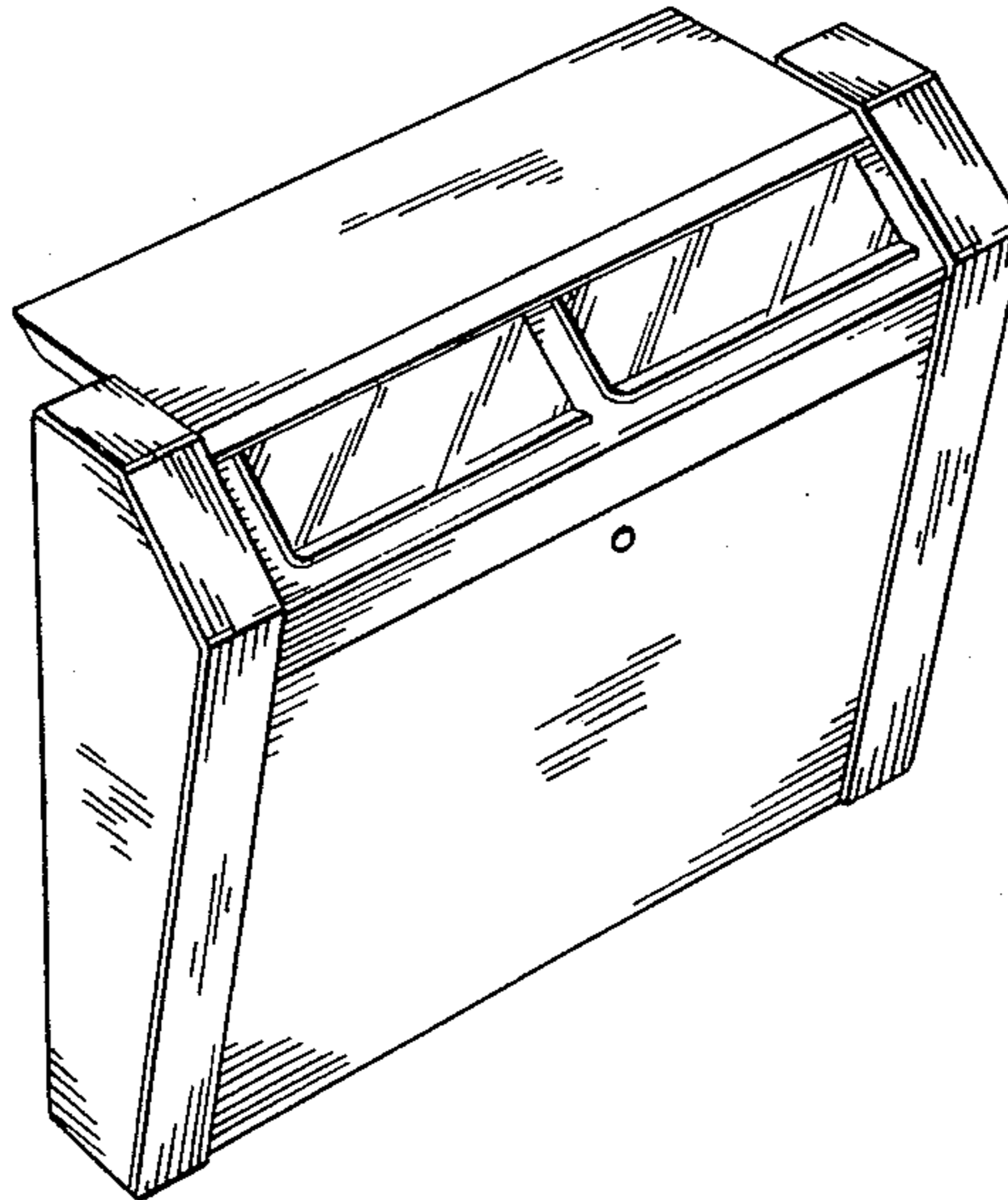


FIG-1

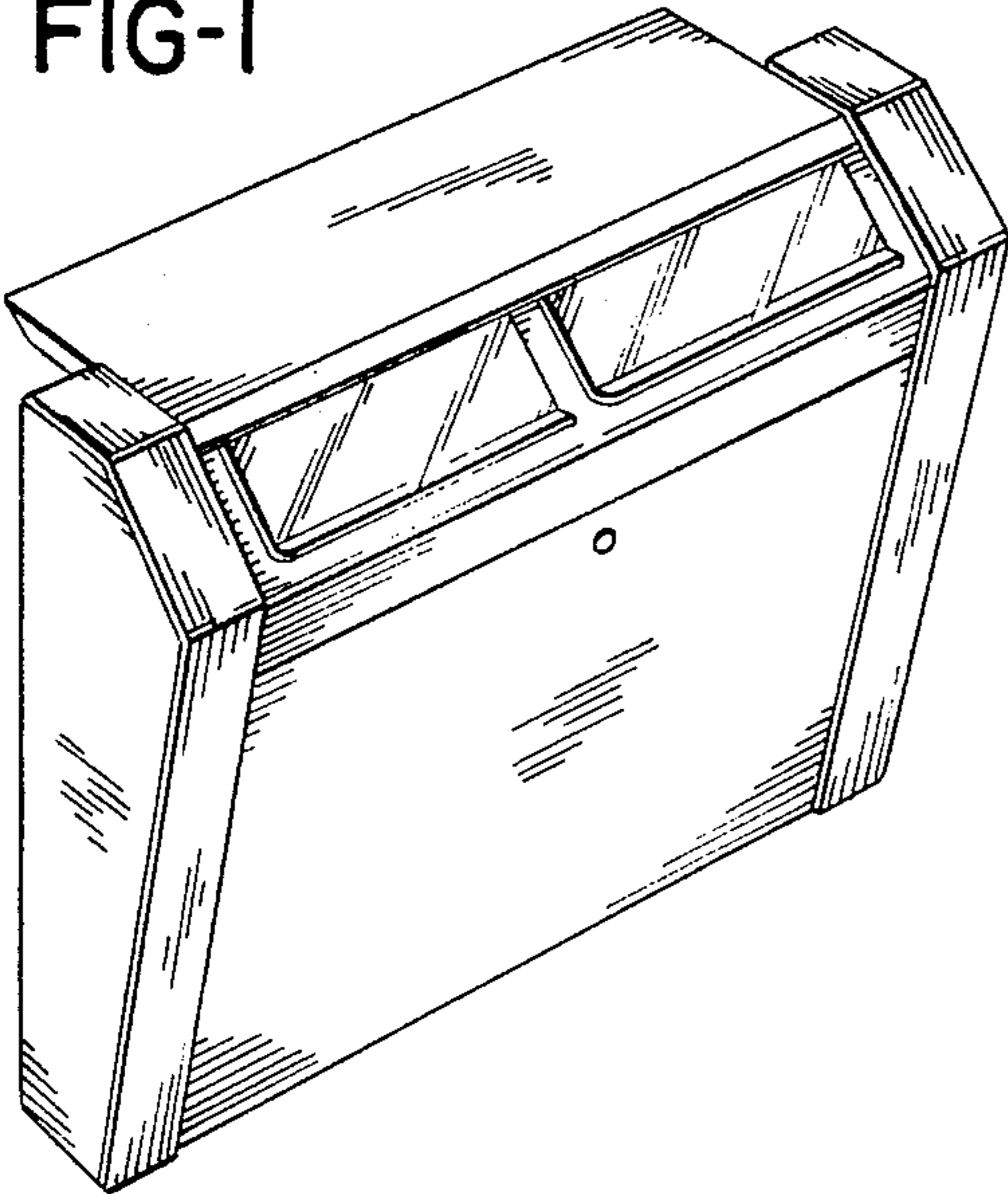


FIG-2

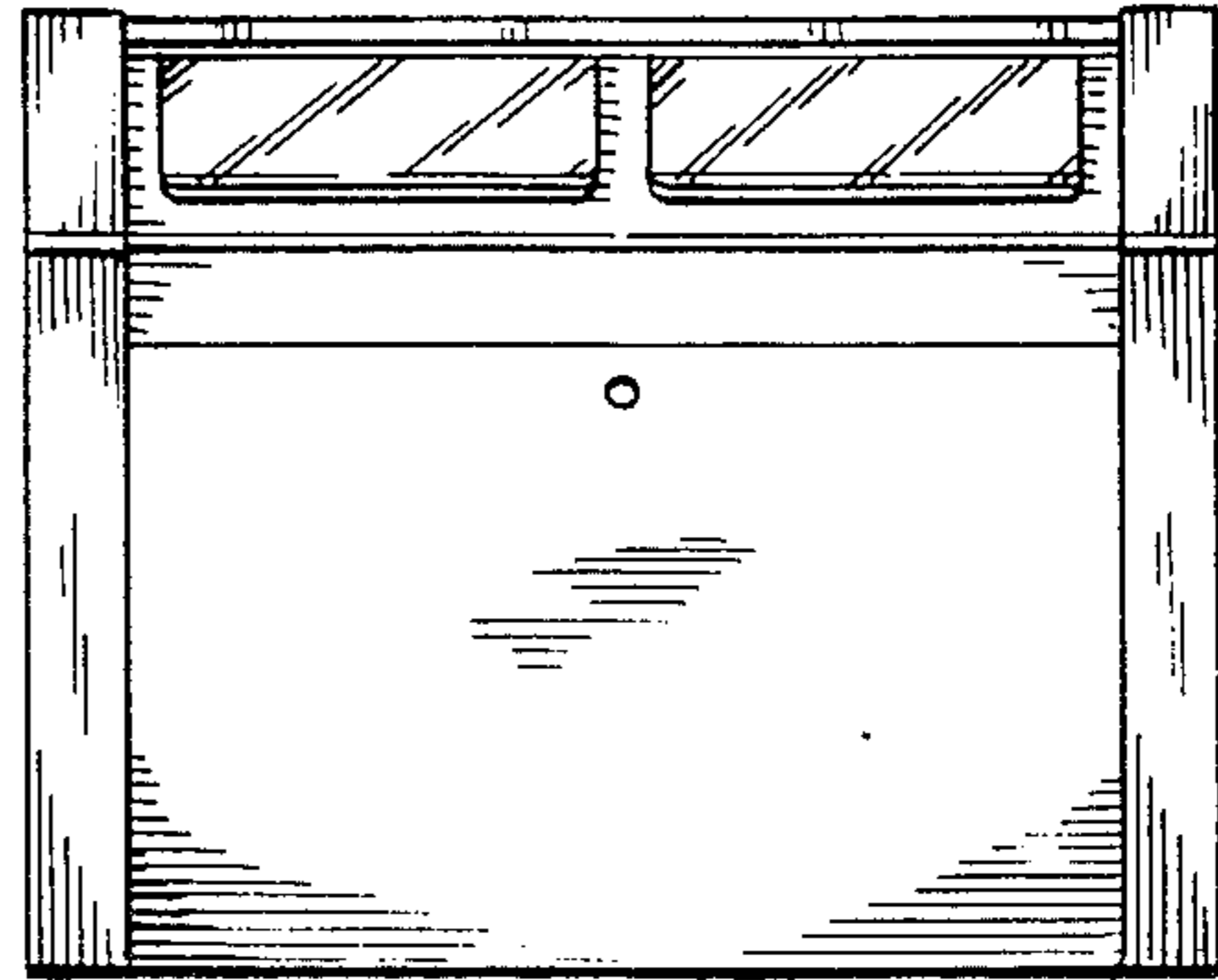


FIG-3

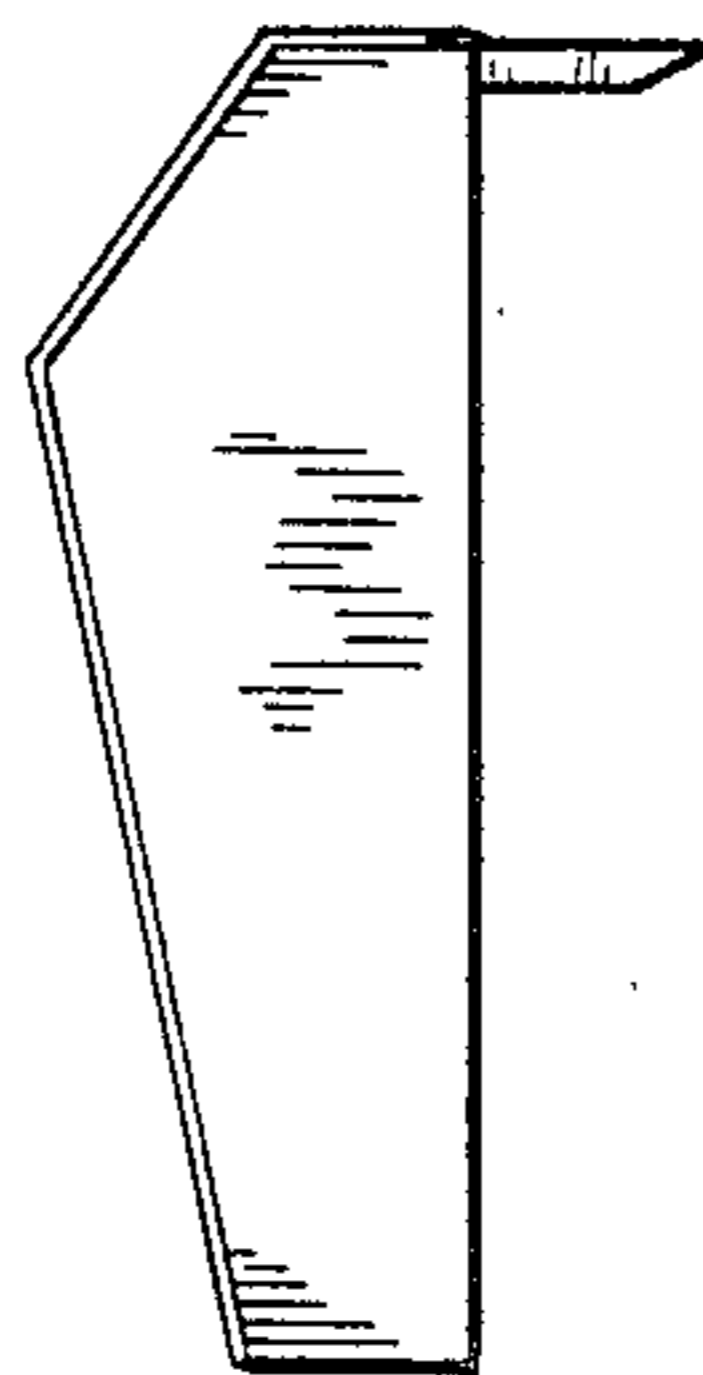


FIG-4

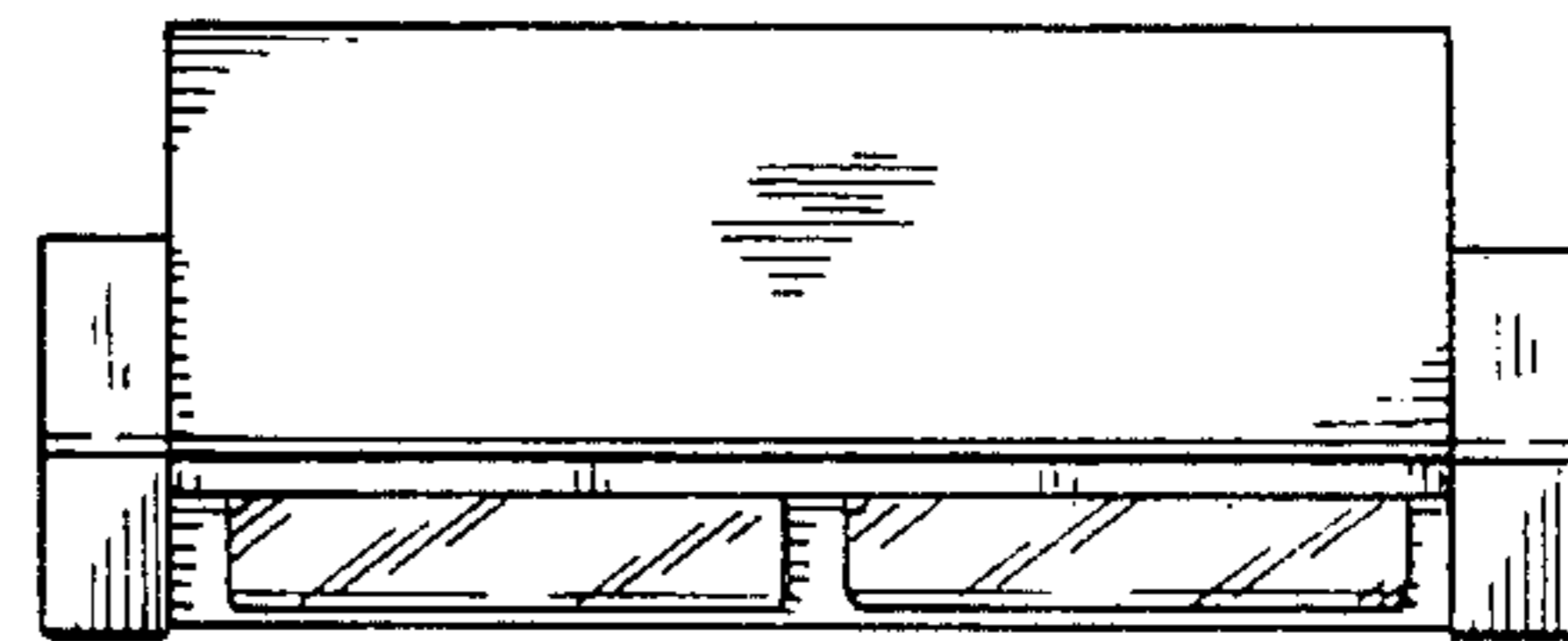


FIG-5

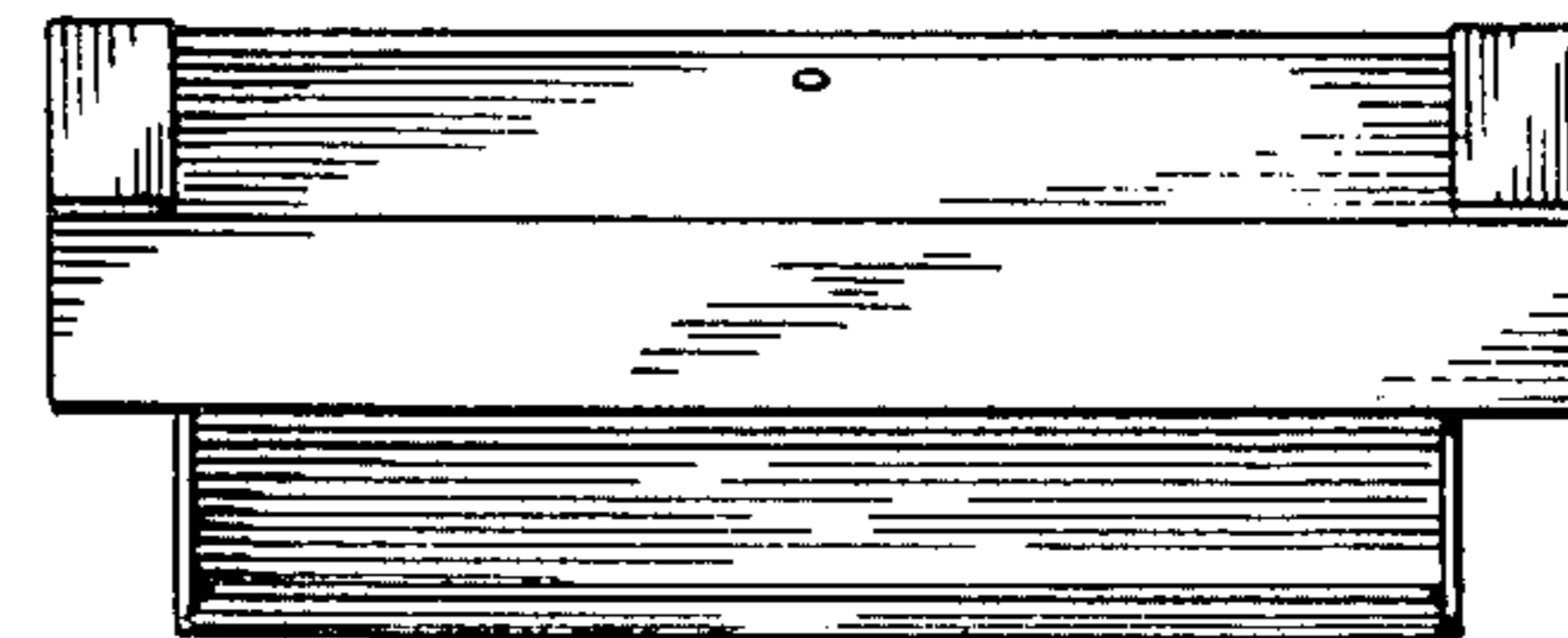


FIG-6

