

[54] MOBILE BANK TELLER STATION

[75] Inventor: Paul F. Losi, Toms River, N.J.

[73] Assignee: Chemical New York Corporation, New York, N.Y.

[**] Term: 14 Years

[21] Appl. No.: 542,259

[22] Filed: Oct. 14, 1983

[52] U.S. Cl. D99/28; D6/472

[58] Field of Search D99/28, 43, 99; D14/100, 102, 105, 106, 115; 109/110, 24.1, 66, 19; 186/37; 232/1 D, 1 R, 1 E; 235/379-382; D25/16, 35; D6/470-472

[56] References Cited

U.S. PATENT DOCUMENTS

- D. 98,966 3/1936 Shank D6/470
- D. 141,385 5/1945 Romadka D6/470

- D. 249,900 10/1978 Lee D99/28
- 3,943,335 3/1976 Kinker et al. 235/379
- 4,282,424 8/1981 Hirose 235/381 X
- 4,399,755 8/1983 Wiedmann 109/66 X

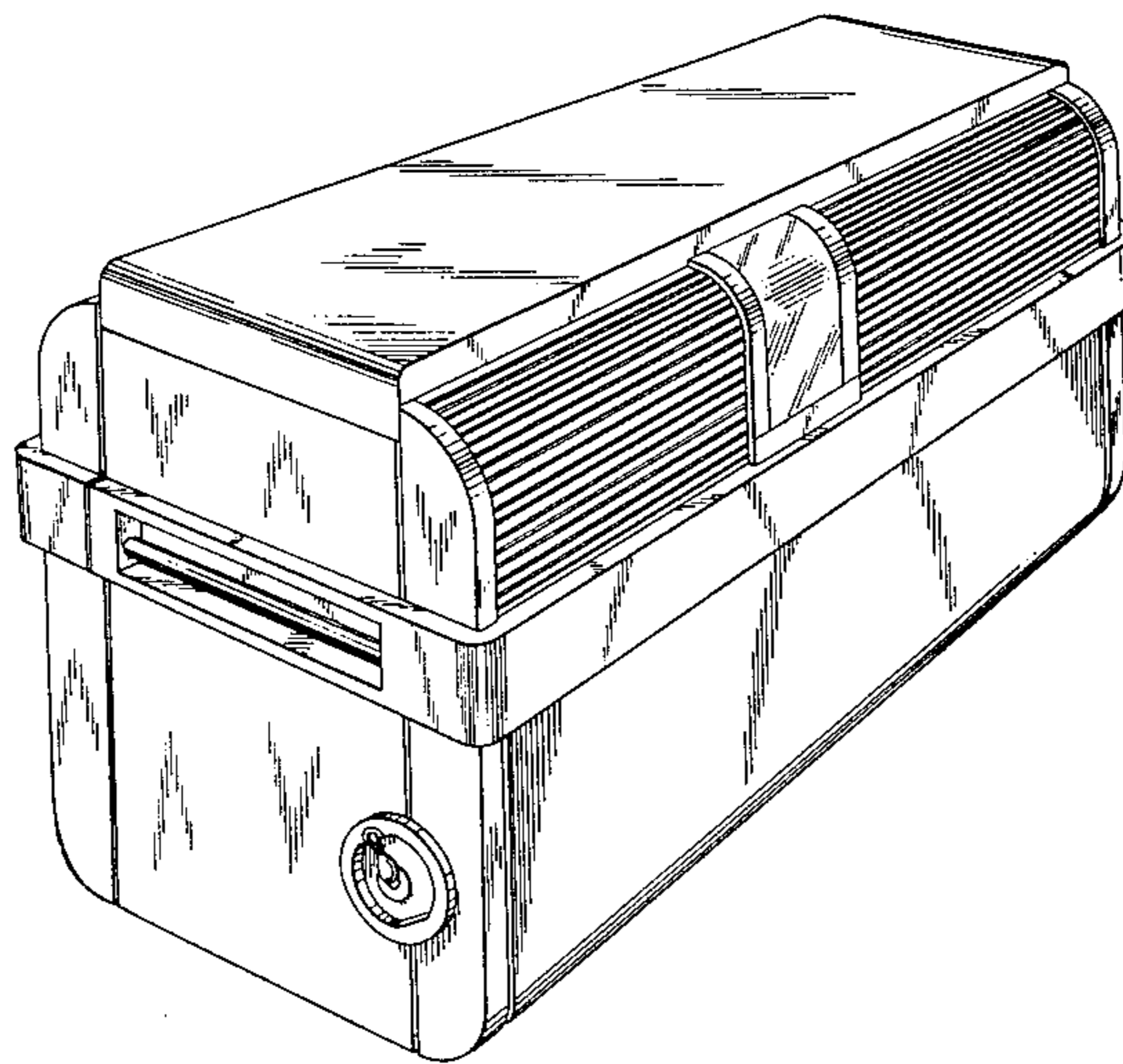
Primary Examiner—Bernard Ansher
Assistant Examiner—Terry Pfeffer
Attorney, Agent, or Firm—Davis, Hoxie, Faithfull & Hapgood

[57] CLAIM

The ornamental design for a mobile bank teller station, as shown.

DESCRIPTION

FIG. 1 is a front, left side and top perspective view of a mobile bank teller station showing my new design; FIG. 2 is a front elevational view thereof; FIG. 3 is a rear elevational view thereof; FIG. 4 is a left side elevational view thereof; and FIG. 5 is a right side elevational view thereof.



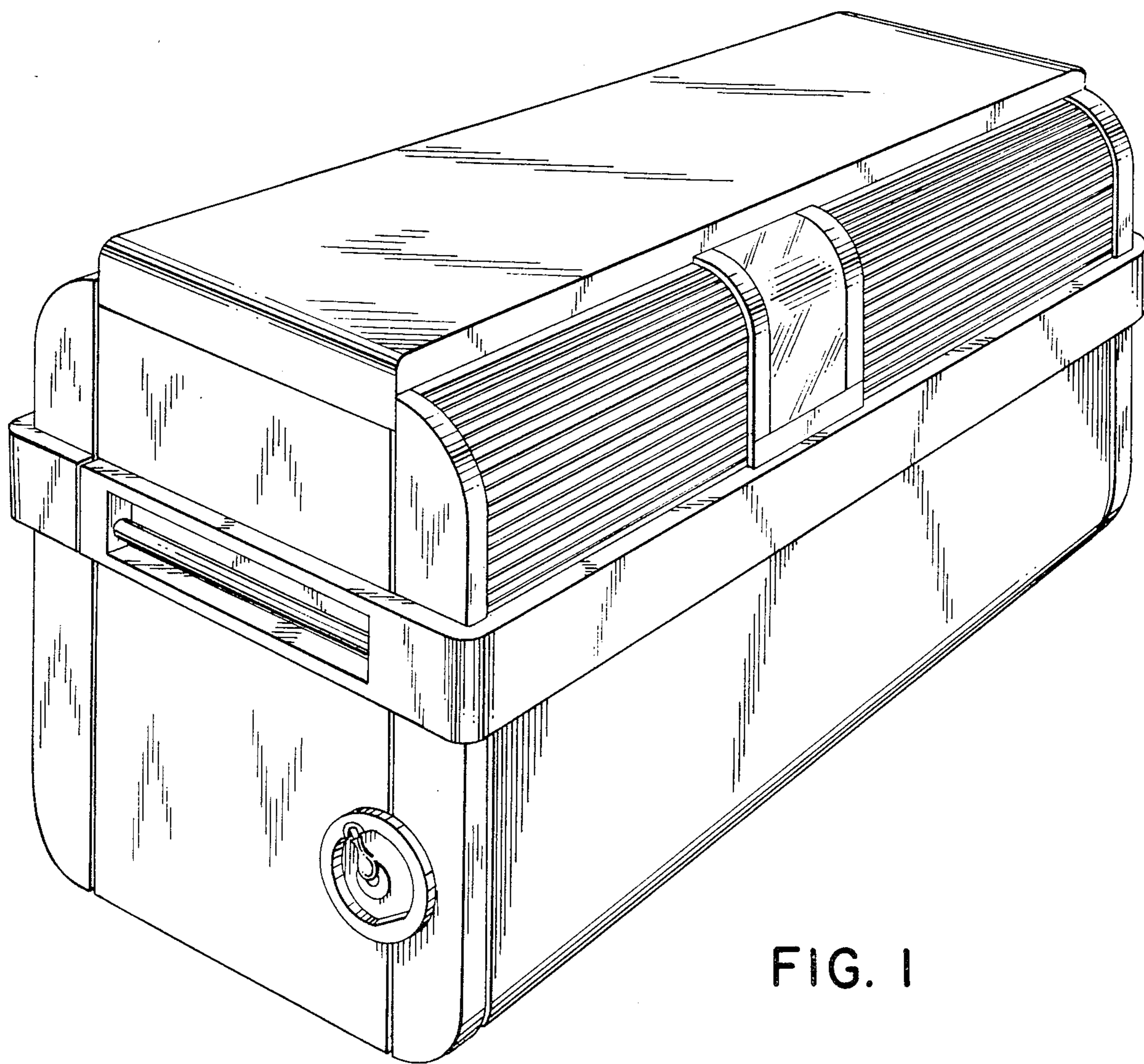


FIG. 1

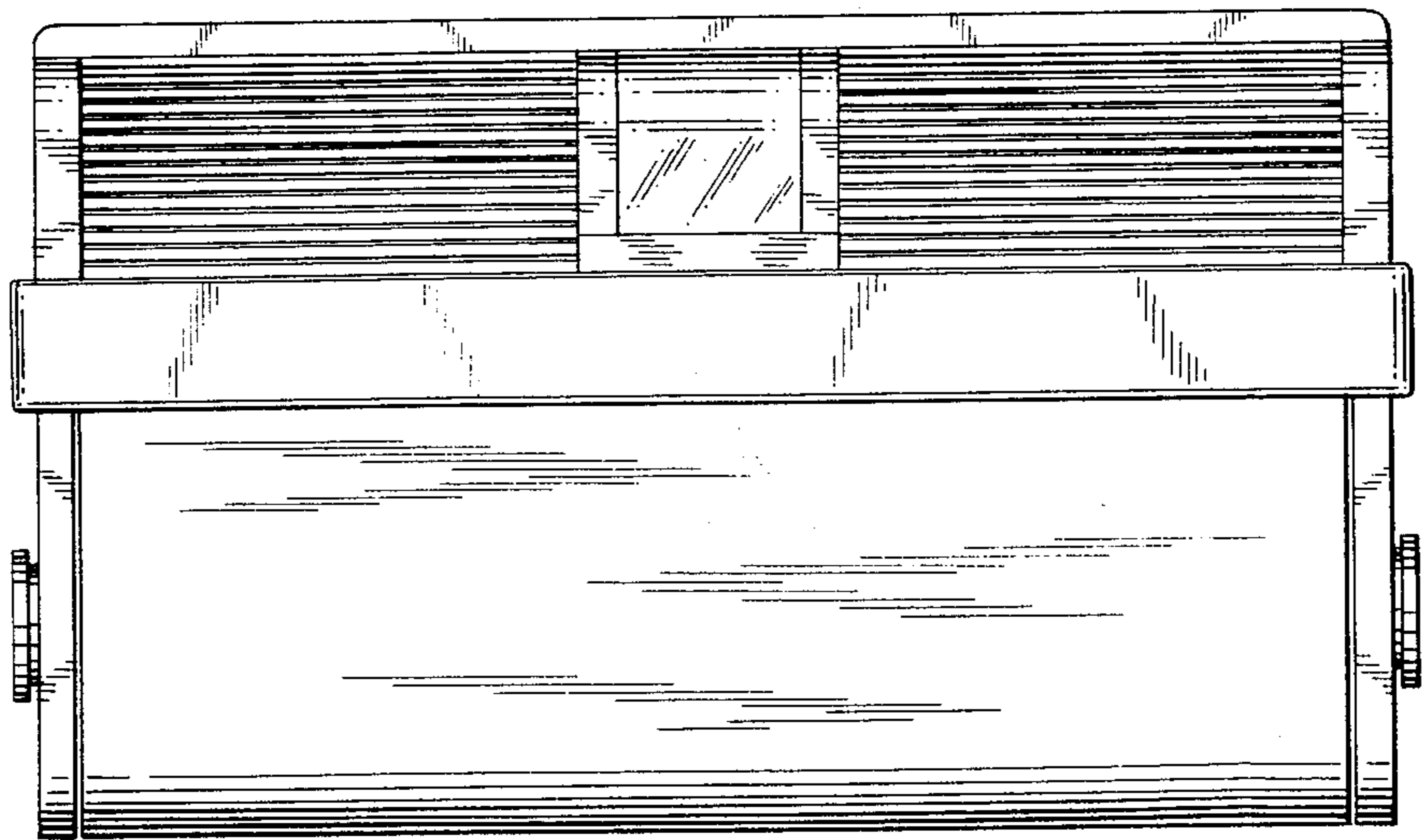


FIG. 2

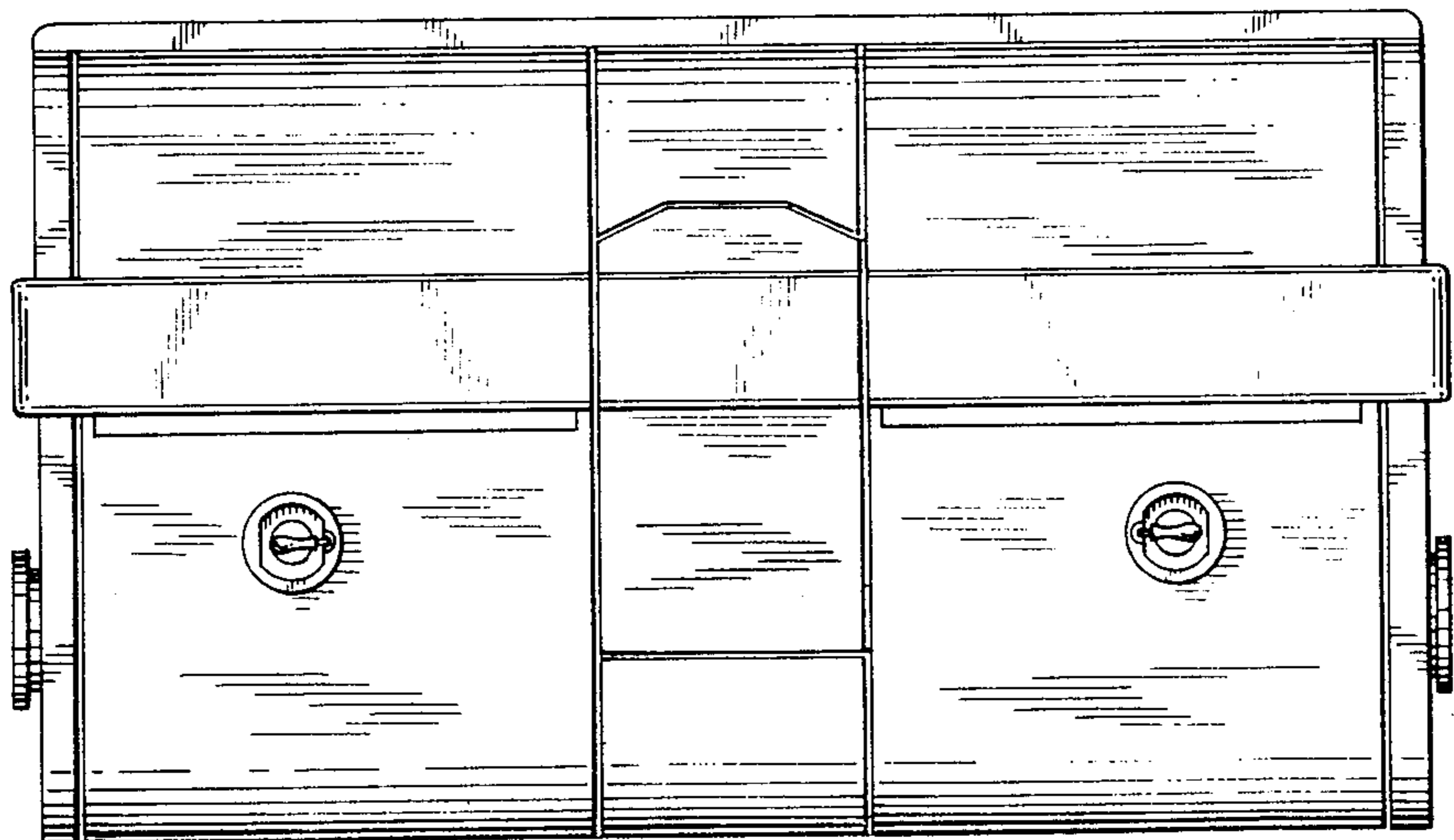


FIG. 3

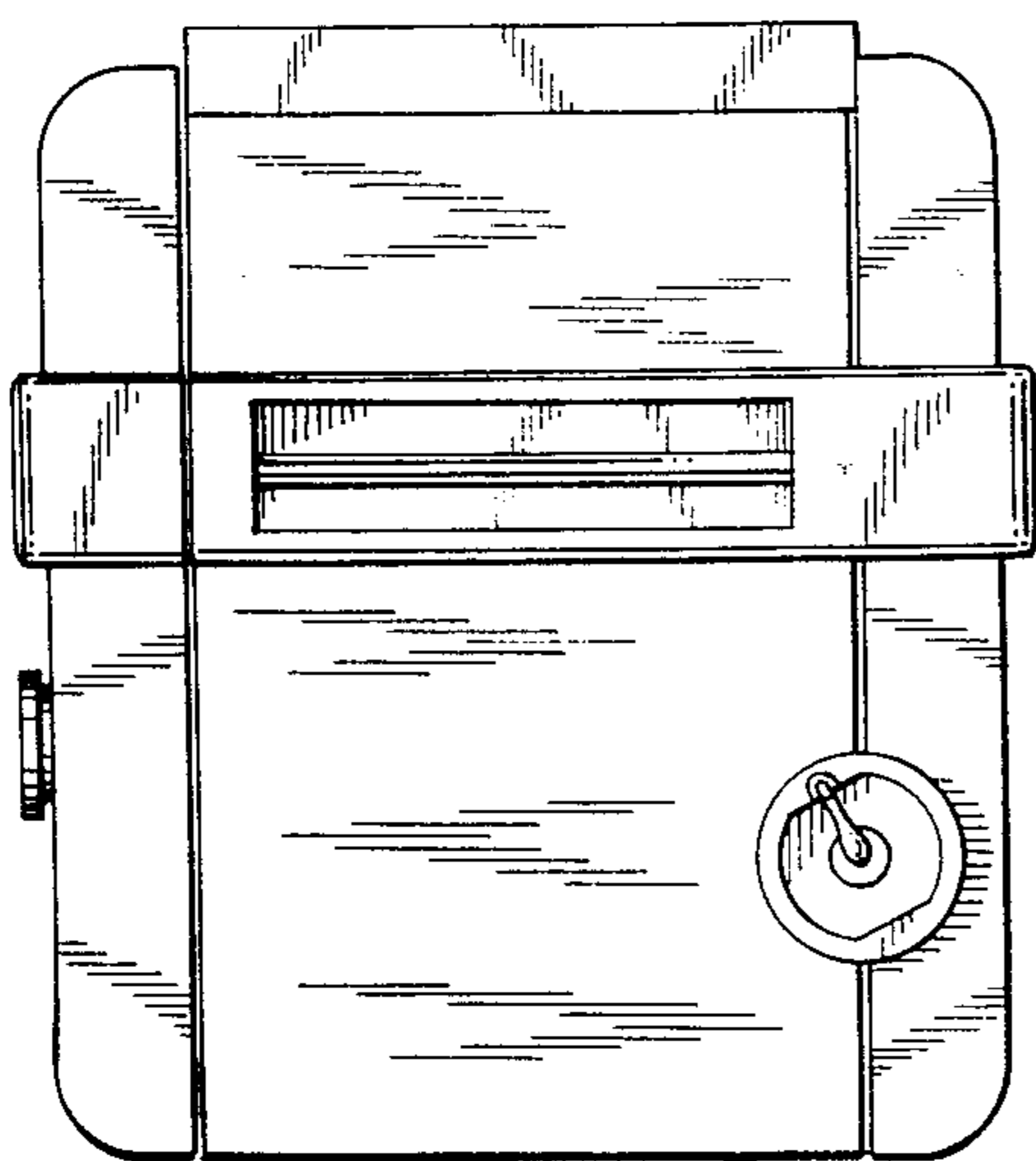


FIG. 4

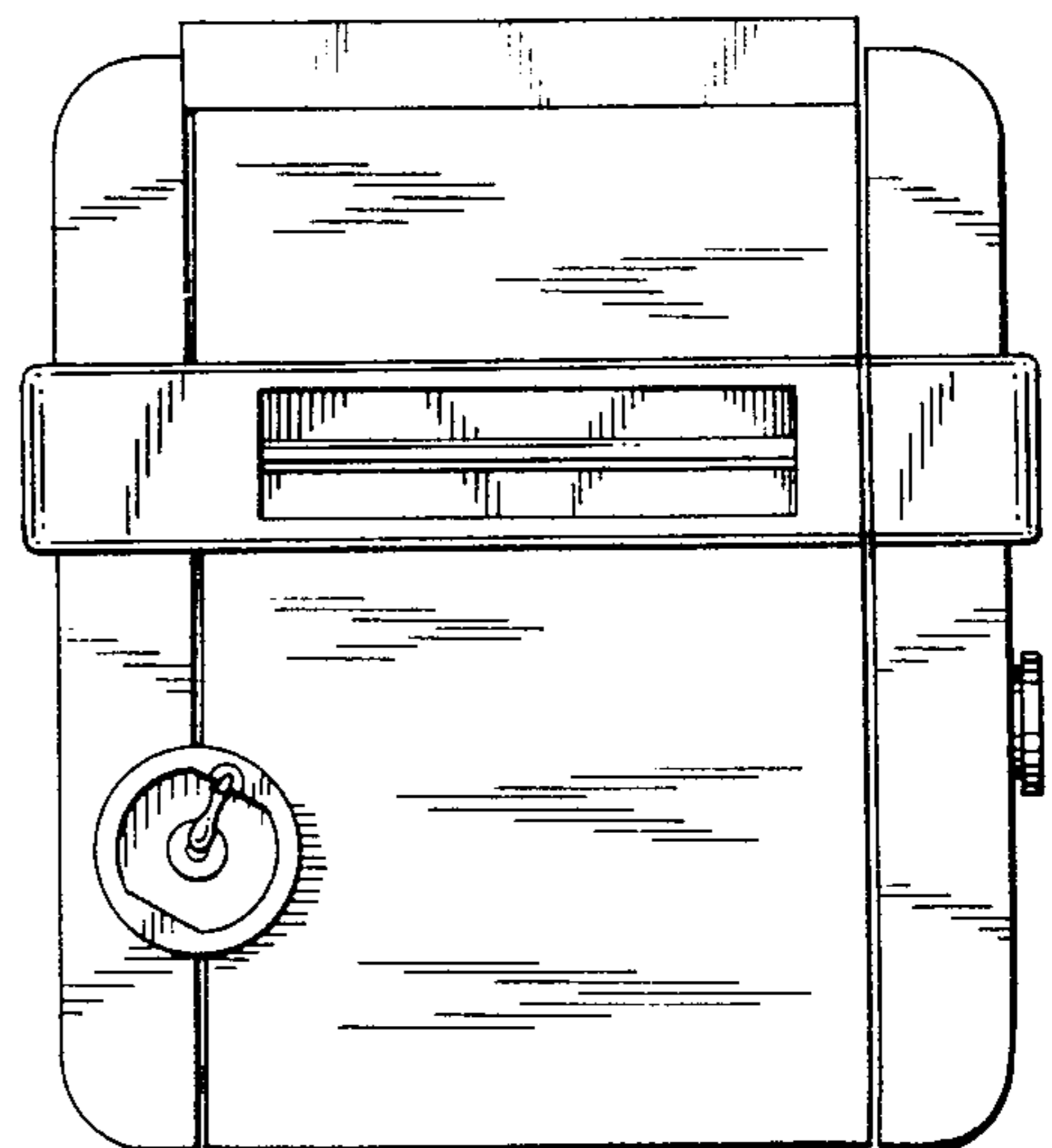


FIG. 5