

[54] HOT WATER EXTRACTION CARPET CLEANER

D. 248,657 7/1978 Parise D32/21
D. 261,514 10/1981 Cody D32/21
D. 270,960 10/1983 Parise et al. D32/21
4,385,413 5/1983 Goldsmith 15/321

[75] Inventors: Donald V. Bailey, Hamilton County, Ind.; William E. Bartasevich, Portage County, Ohio

Primary Examiner—Wallace R. Burke
Assistant Examiner—Lynn Wilder
Attorney, Agent, or Firm—Woodard, Weikart, Emhardt & Naughton

[73] Assignee: Blue Lustre Home Care Products, Inc., Indianapolis, Ind.

[**] Term: 14 Years

[57] CLAIM

[21] Appl. No.: 558,094

The ornamental design for a hot water extraction carpet cleaner, as shown and described.

[22] Filed: Dec. 5, 1983

DESCRIPTION

[52] U.S. Cl. D32/21

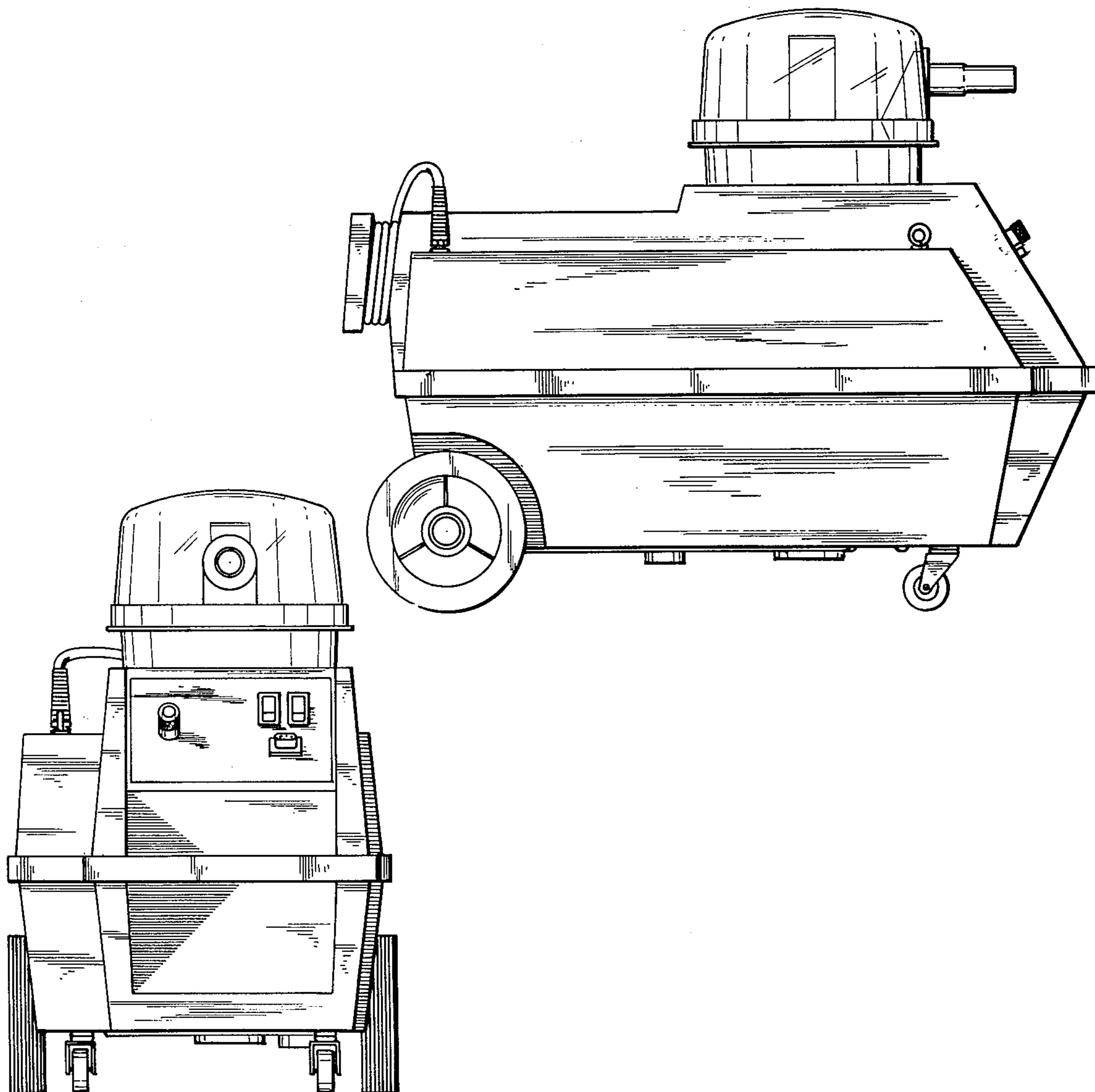
[58] Field of Search D32/21, 22; 15/321, 15/322, 327 R, 327 D, 327 E, 353

FIG. 1 is a top plan view of the hot water extraction carpet cleaner showing my new design; FIG. 2 is a rear elevational view thereof; FIG. 3 is a bottom plan view thereof; FIG. 4 is a front elevational view thereof; FIG. 5 is a right side elevational view thereof; FIG. 6 is a left side elevational view thereof.

[56] References Cited

U.S. PATENT DOCUMENTS

D. 242,210 11/1976 Parise et al. D32/21



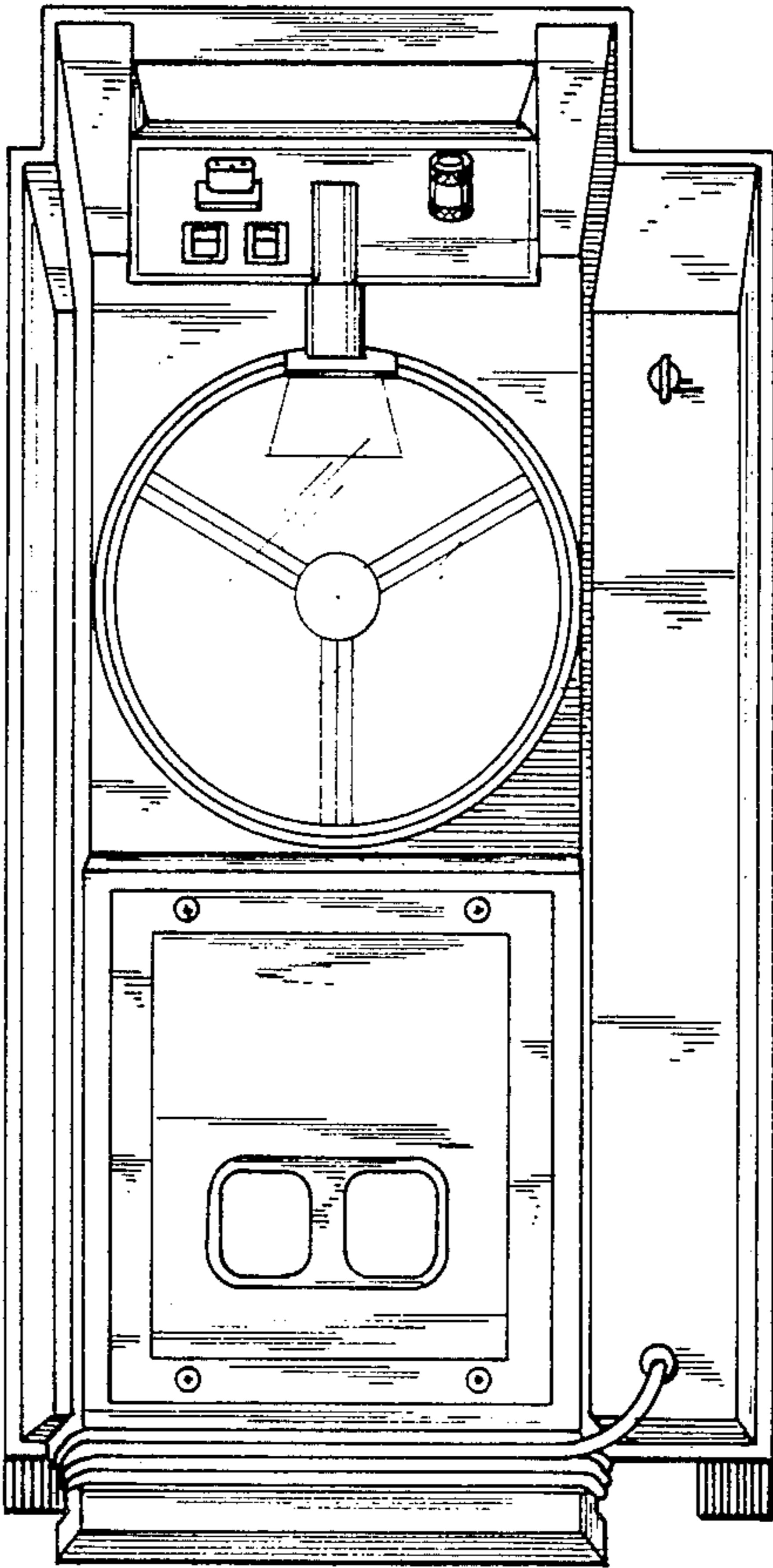


Fig.1

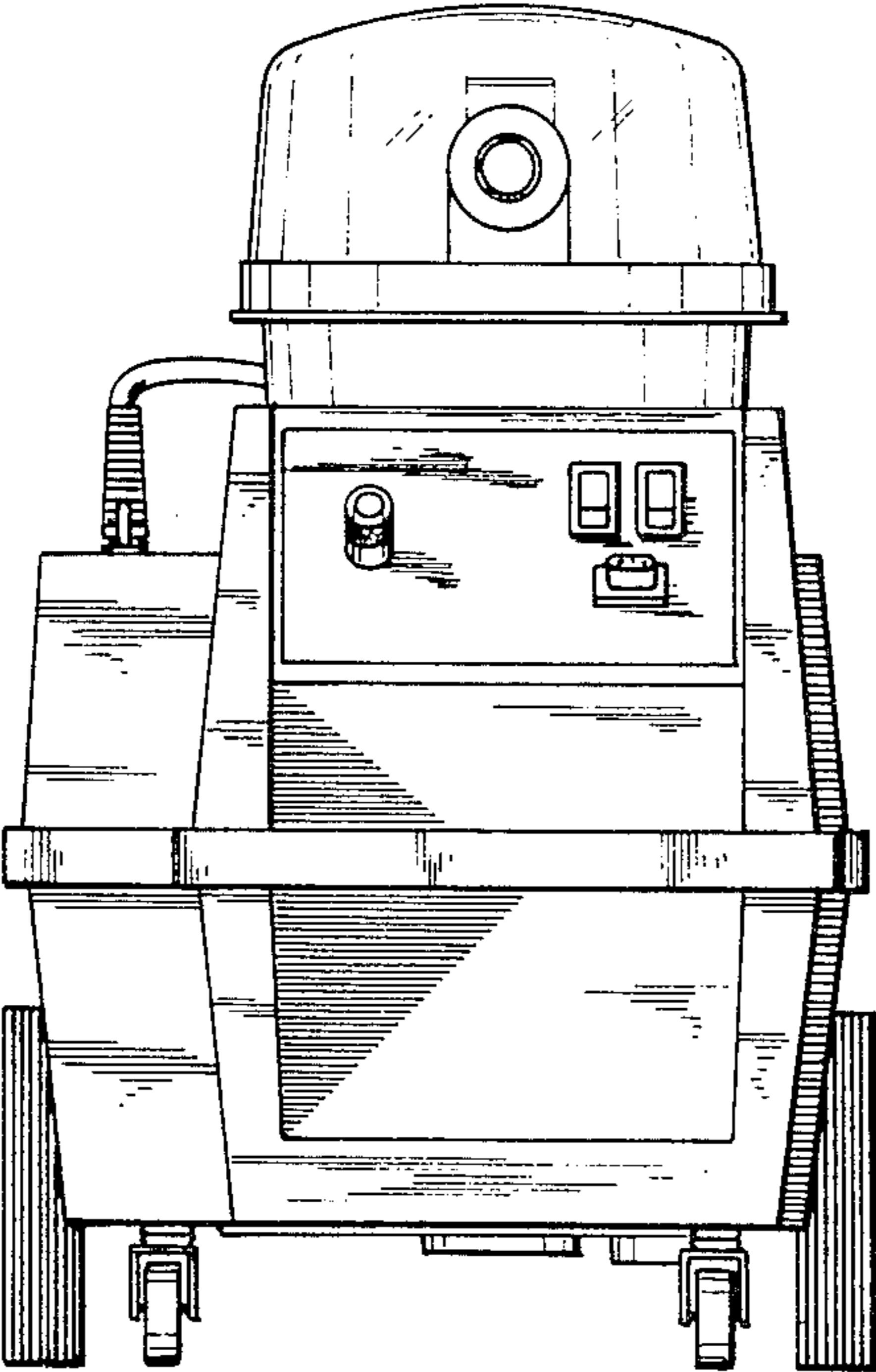


Fig.2

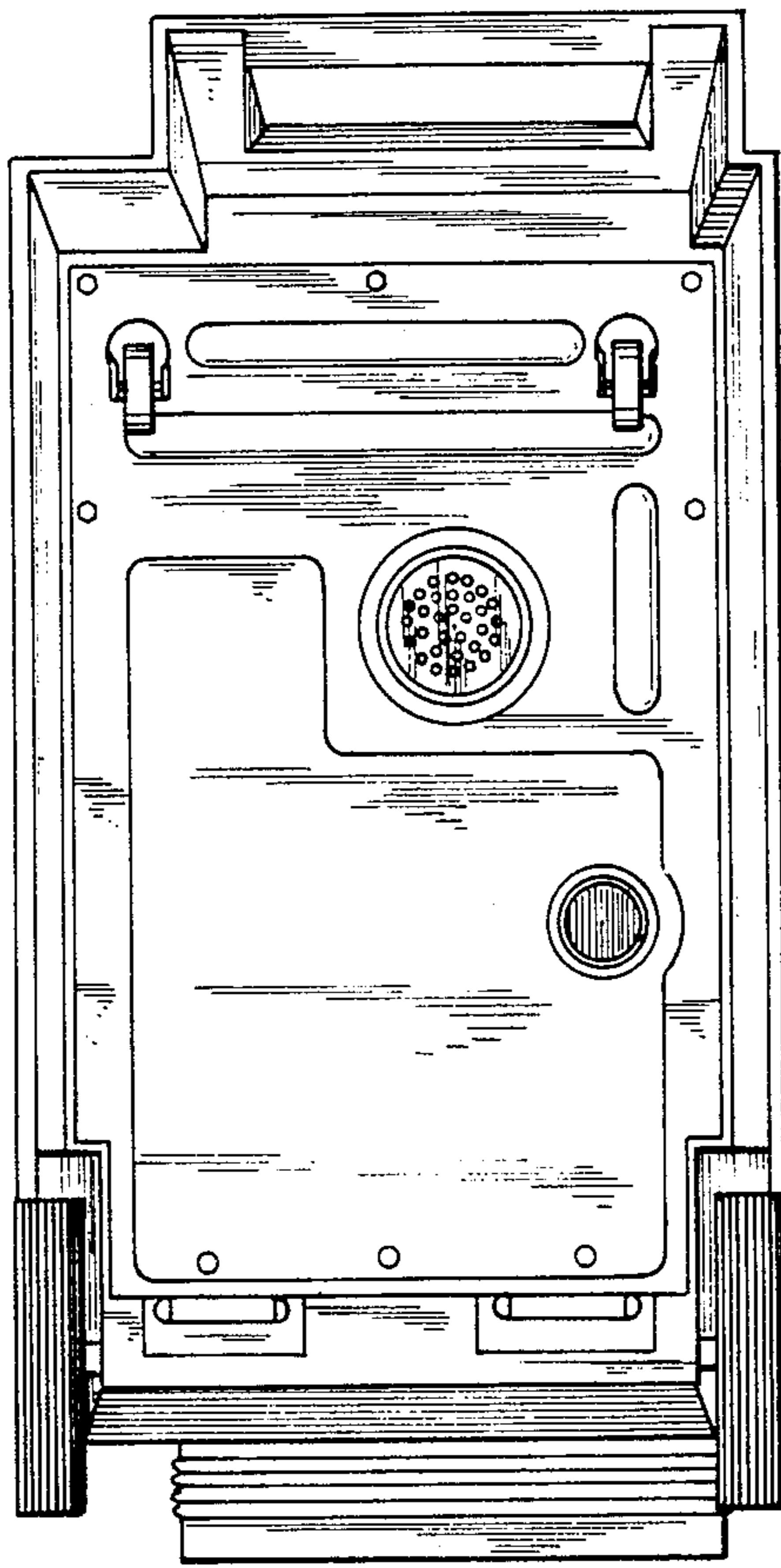


Fig.3

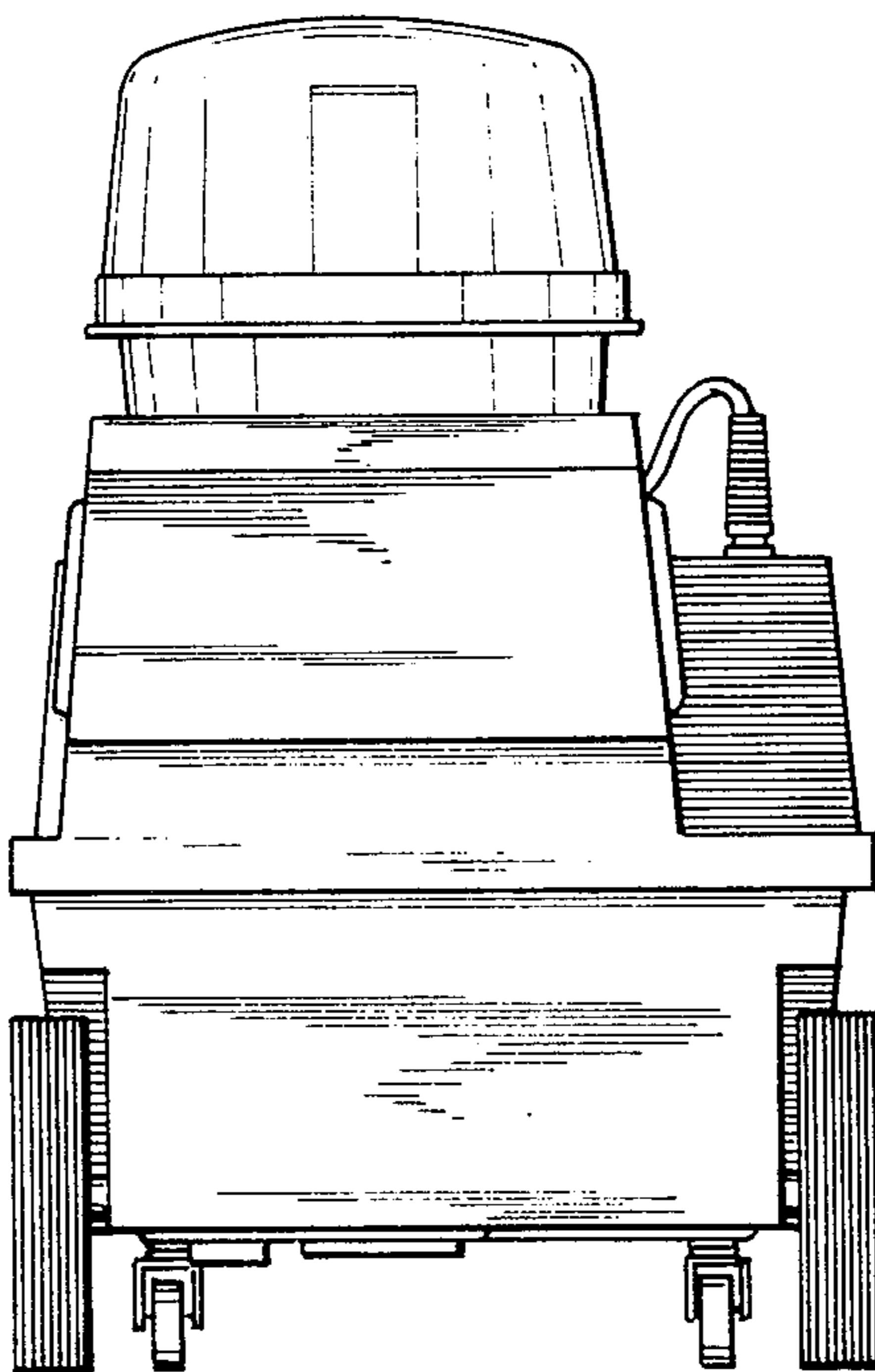


Fig.4

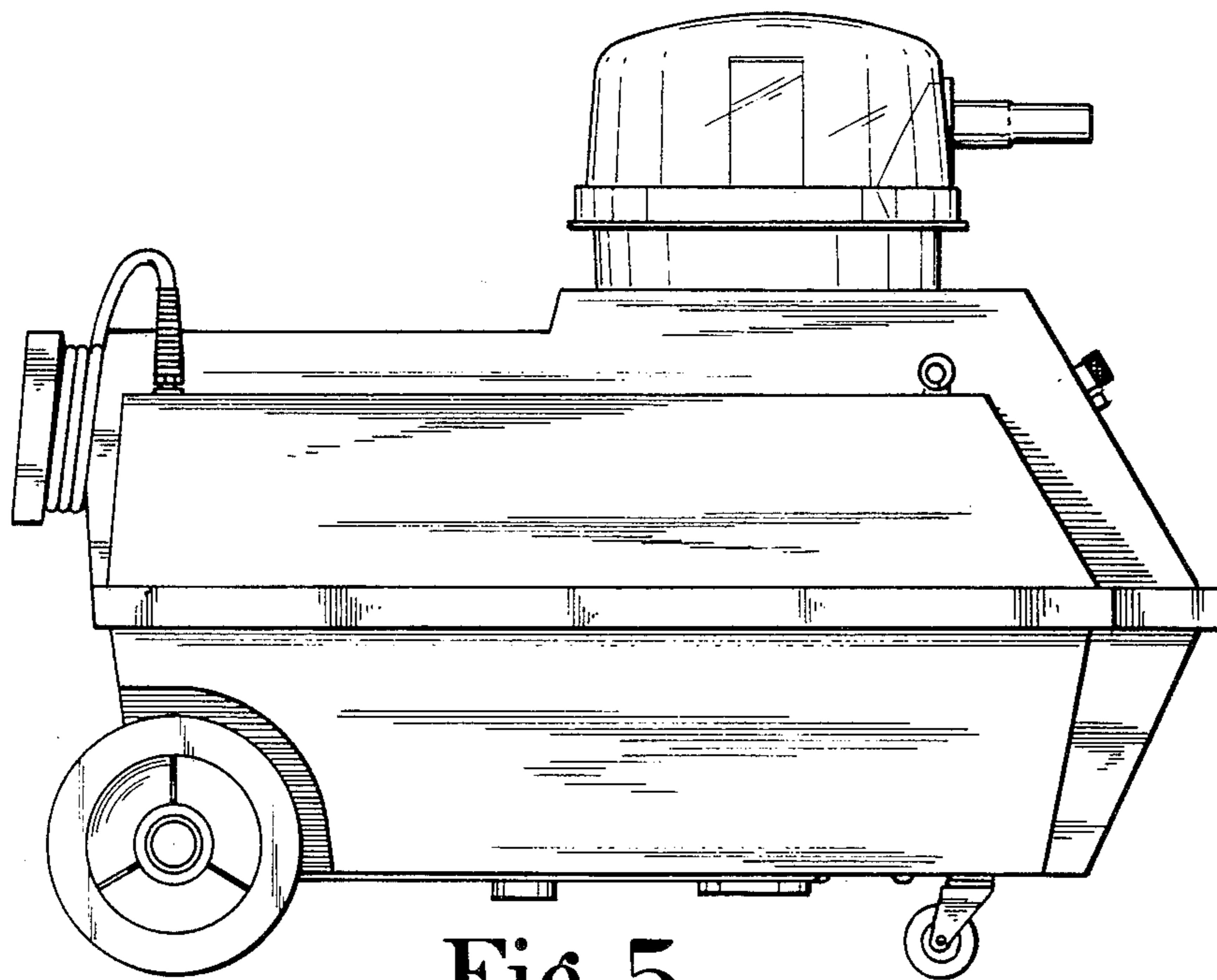


Fig. 5

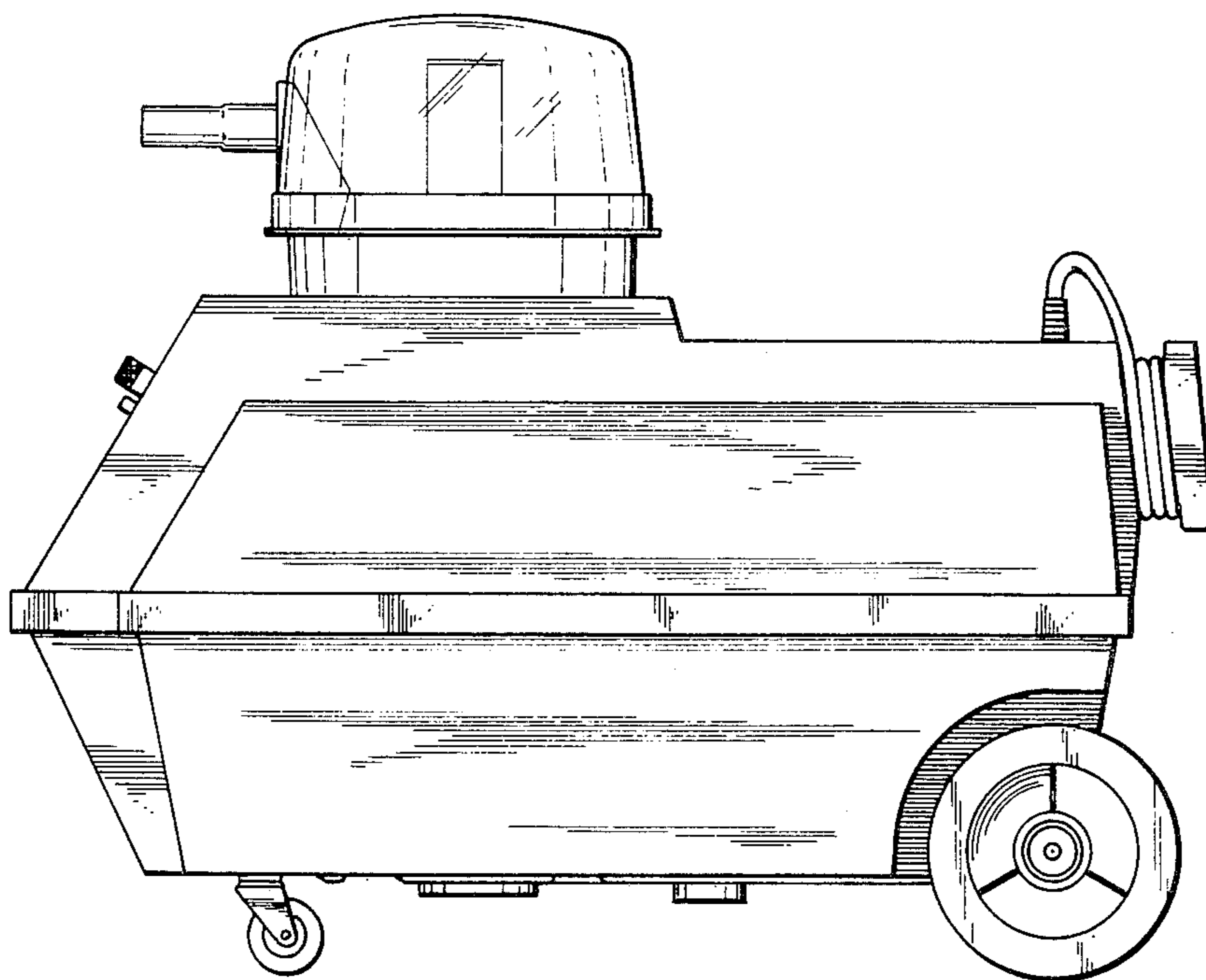


Fig. 6