

[54] COSMETIC COMPACT WITH SLIDE-OUT DRAWERS

[75] Inventor: Morris Sussman, Freeport, N.Y.

[73] Assignee: Shore Plastics, Inc., Freeport, N.Y.

[\*\*] Term: 14 Years

[21] Appl. No.: 532,553

[22] Filed: Sep. 15, 1983

[52] U.S. Cl. .... D28/83; D3/39

[58] Field of Search ..... D28/76-84; D3/39; D9/377, 420, 423, 403, 413, 432, 430; 132/79 R, 79 F, 79 G, 82 R, 82 C, 82 D, 83 R; 220/DIG. 26, 337, 338; 206/235, 581, 823

[56] References Cited

U.S. PATENT DOCUMENTS

- D. 241,320 9/1976 Takacs ..... D9/420
- D. 258,470 3/1981 Chun ..... D3/39
- D. 262,151 12/1981 Sussman ..... D28/83
- 1,682,534 8/1928 Martinat ..... 220/DIG. 26

Primary Examiner—Louis S. Zarfes  
Attorney, Agent, or Firm—Michael Ebert

[57] CLAIM

The ornamental design for a cosmetic compact with slide-out drawers, substantially as shown and described.

DESCRIPTION

FIG. 1 is a perspective view of a cosmetic compact with slide-out drawers showing my new design, in the closed state;

FIG. 2 is a top plan view of the closed compact;

FIG. 3 is an end elevational view of the closed compact;

FIG. 4 is a front elevational view of the closed compact;

FIG. 5 is a rear elevational view of the closed compact;

FIG. 6 is a perspective view of the cosmetic compact shown in the open state with the slide drawers in their retracted position;

FIG. 7 is an end elevational view of the compact shown in FIG. 6; and

FIG. 8 is a perspective view of the cosmetic compact, shown in the open state with the slide drawers extended.

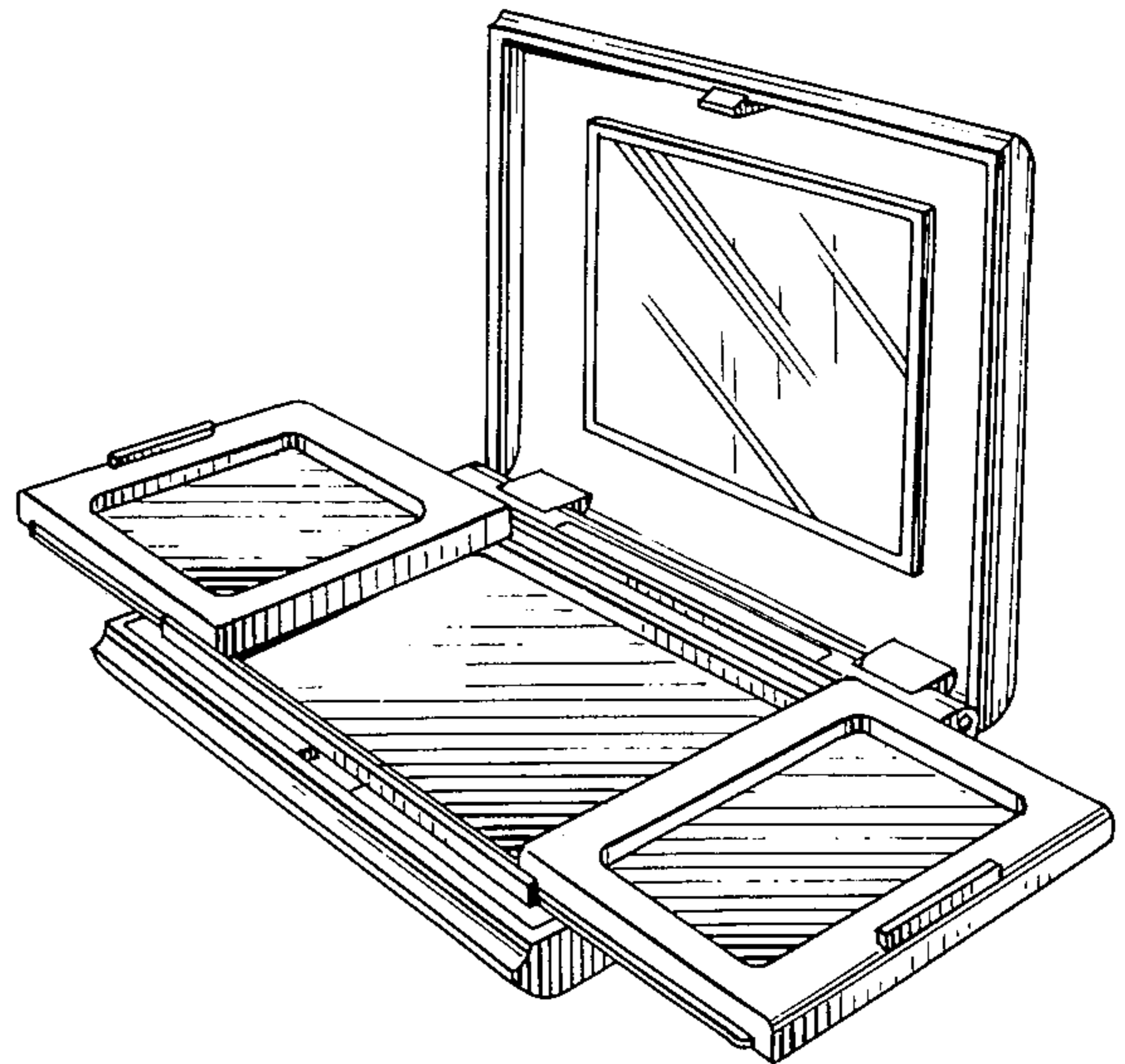
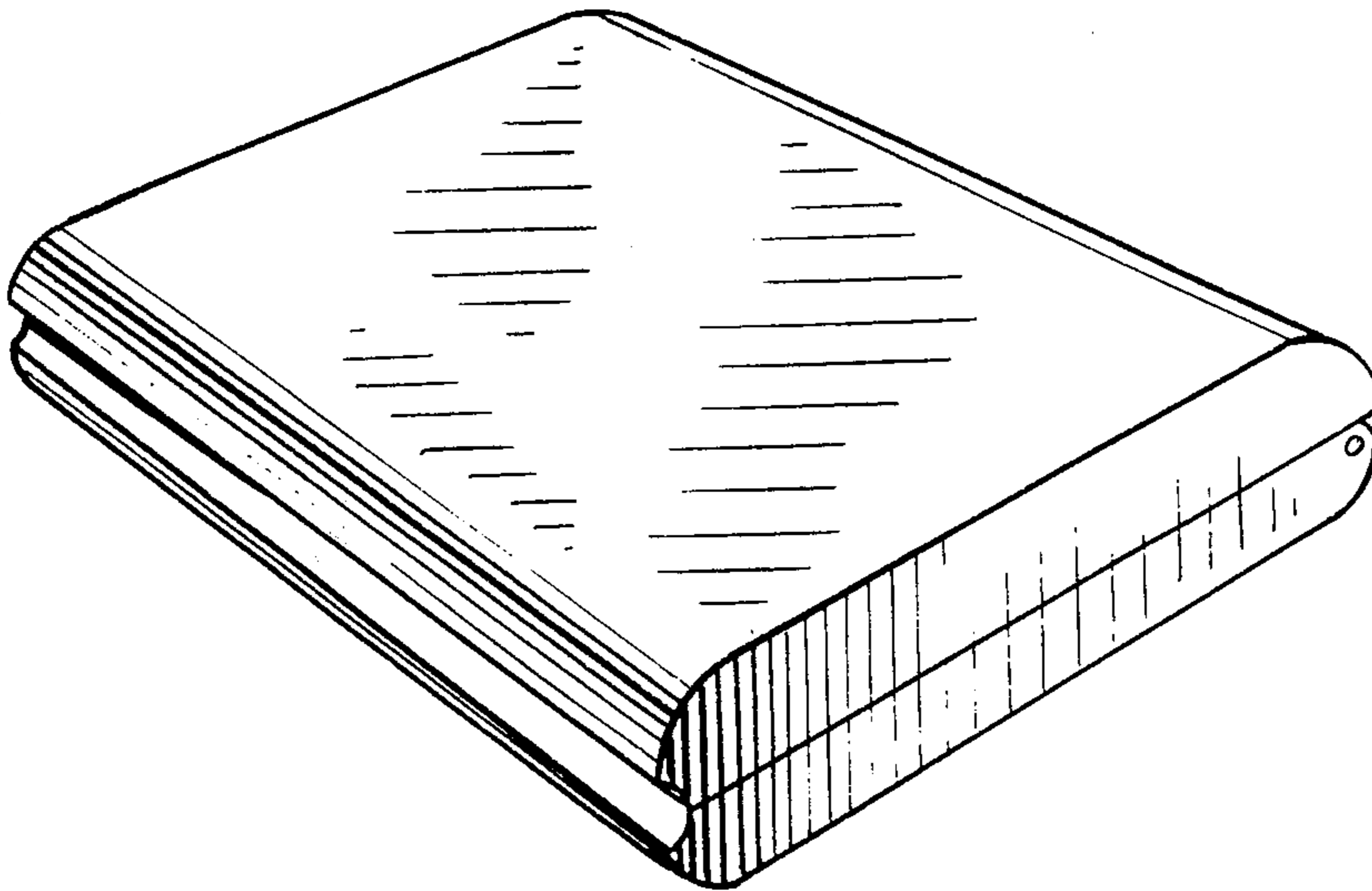


Fig. 1.

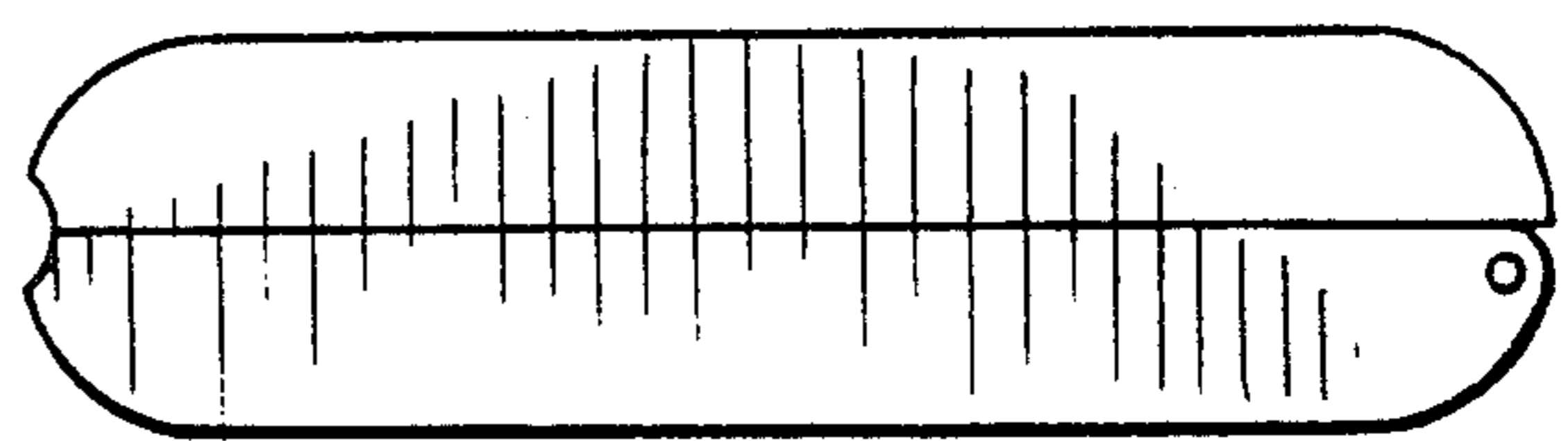
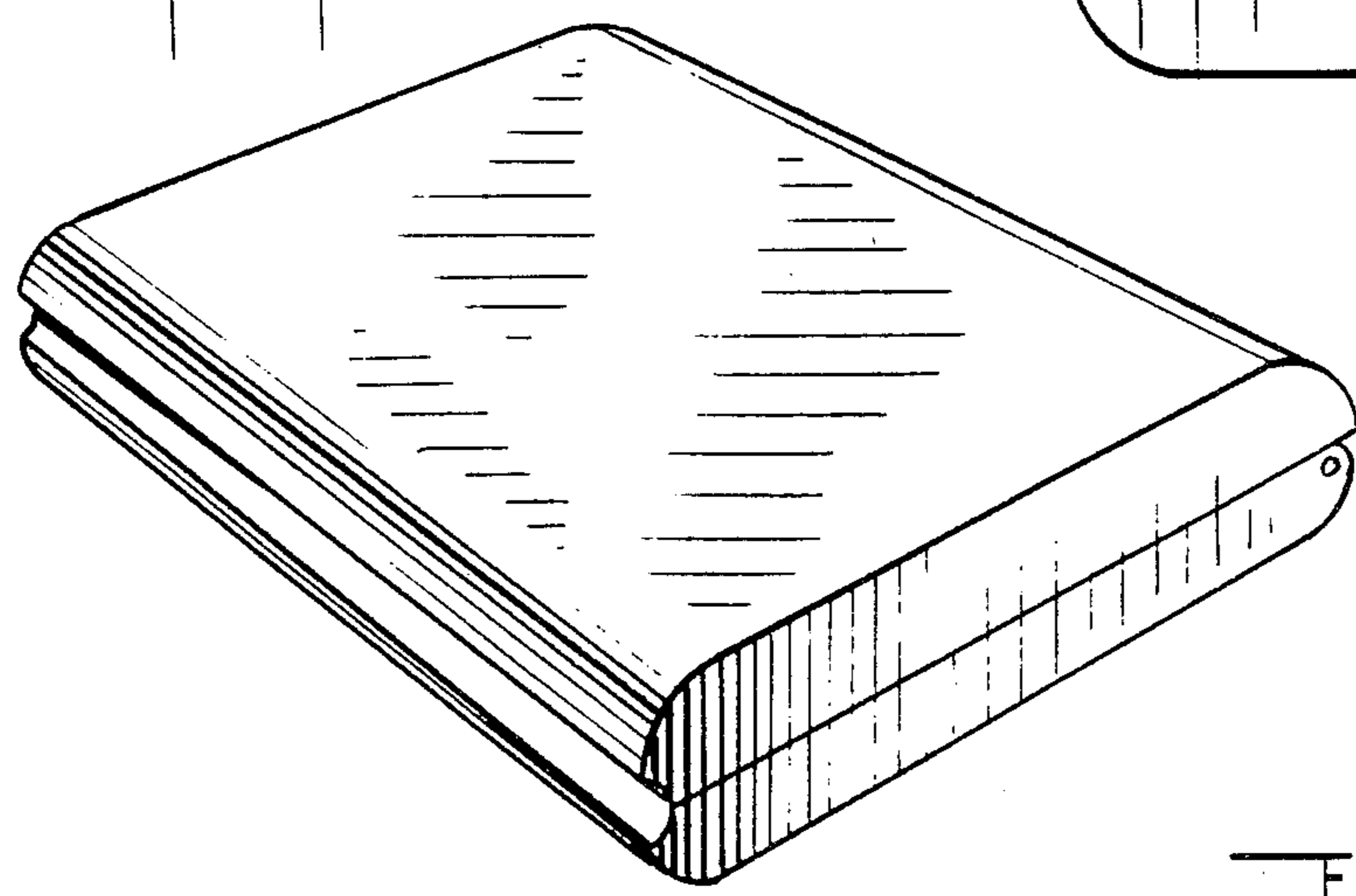


Fig. 3.

Fig. 2.

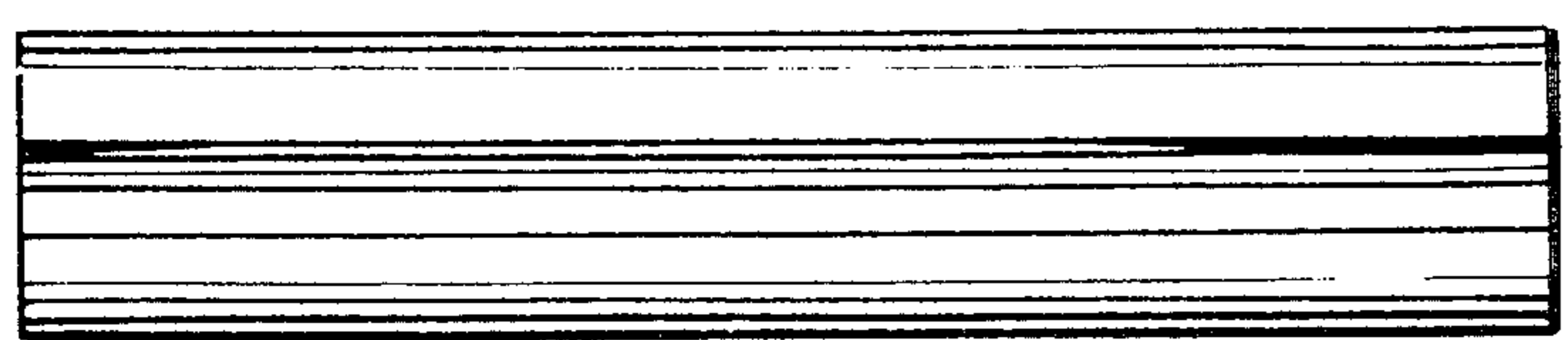
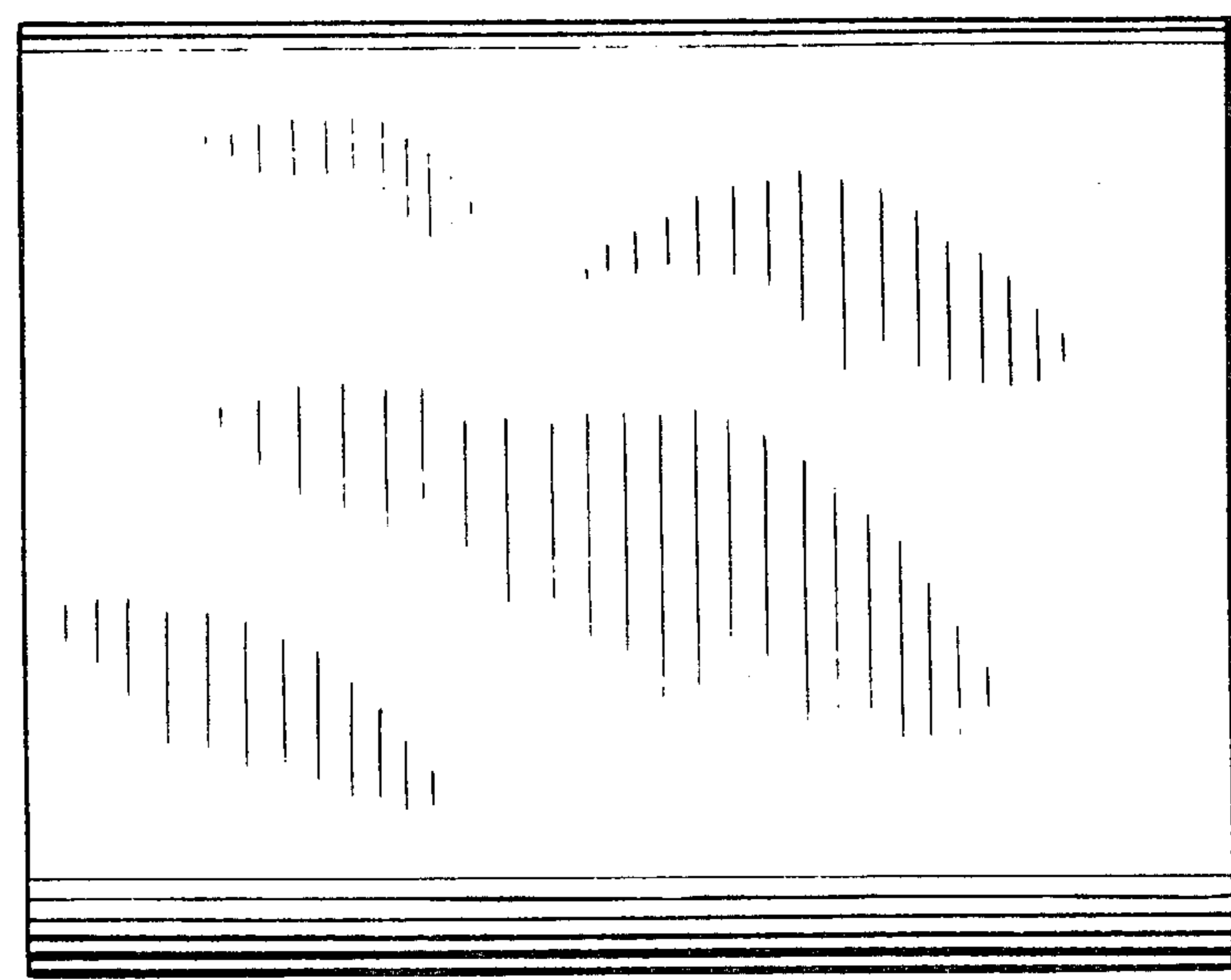


Fig. 4.

Fig. 5.

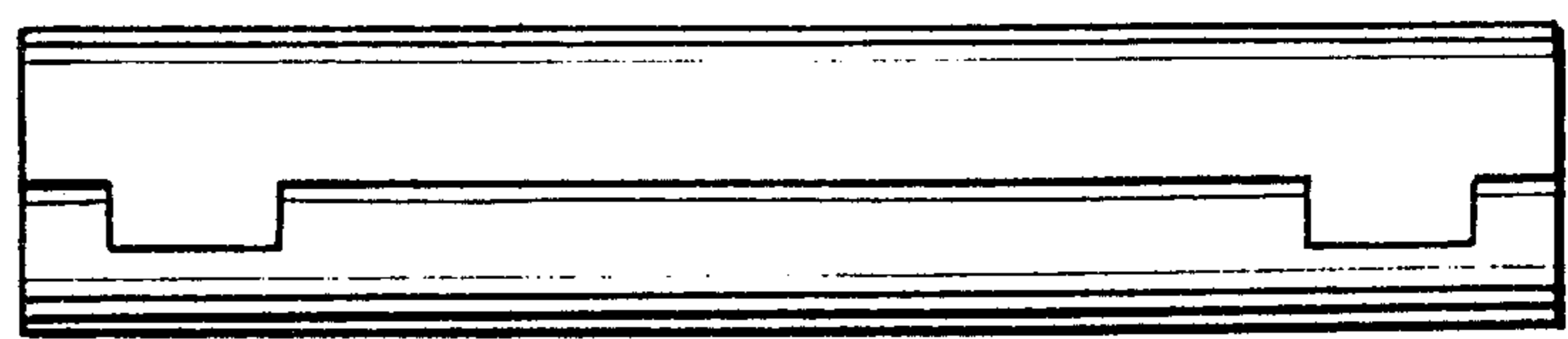


Fig. 6.

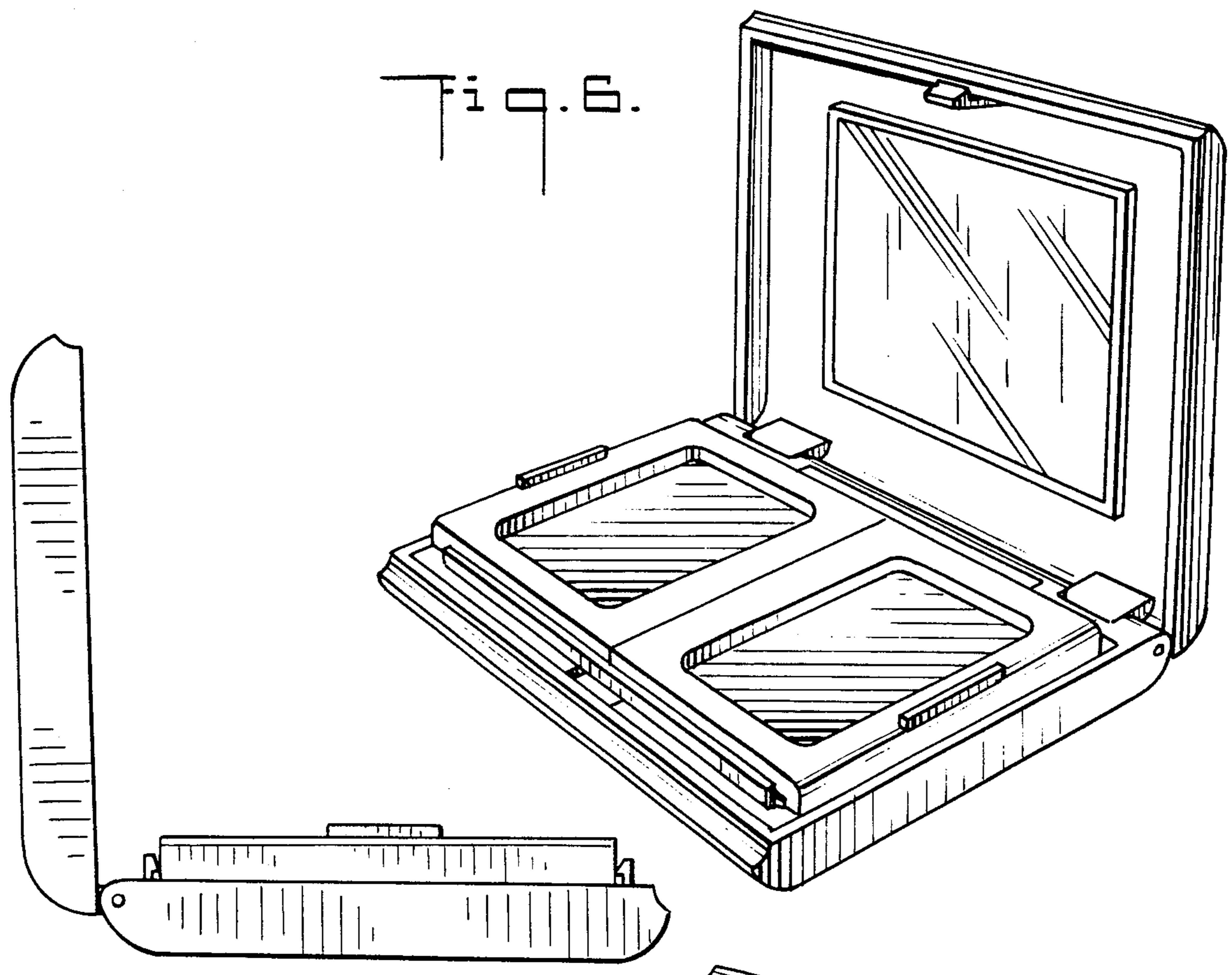


Fig. 7.

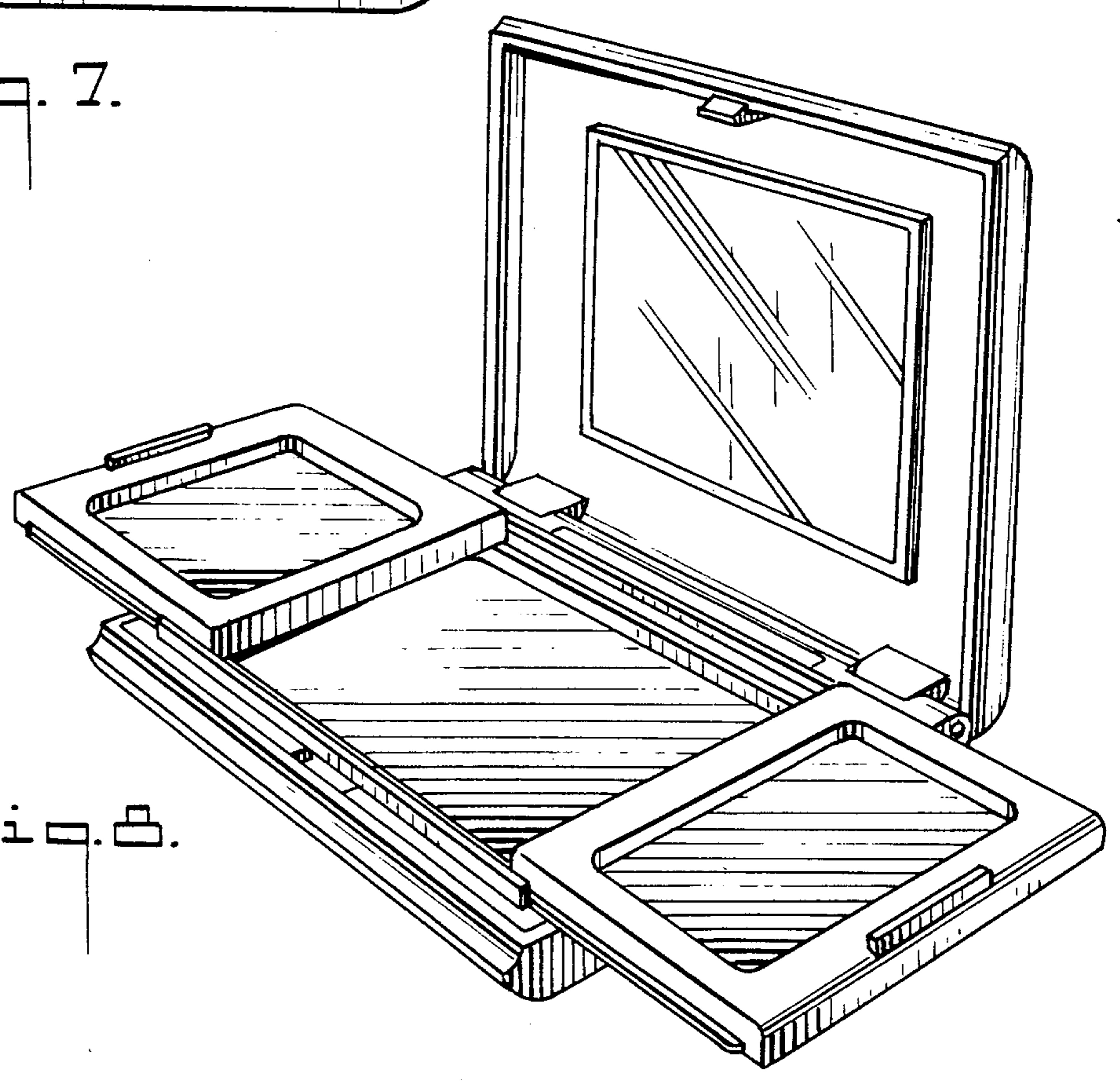


Fig. 8.