

- [54] DISPOSAL CONTAINER FOR HYPODERMIC NEEDLES
- [75] Inventor: Richard F. Gianni, Danville, Calif.
- [73] Assignee: Biosafety Systems, Inc., San Diego, Calif.
- [**] Term: 14 Years
- [21] Appl. No.: 490,865
- [22] Filed: May 2, 1983
- [52] U.S. Cl. D24/99; D24/29
- [58] Field of Search D24/29, 99, 8; D34/1, D34/7; 206/365, 366, 367, 370, 371, 63.5

4,488,643 12/1984 Pepper 206/366

FOREIGN PATENT DOCUMENTS

2740335 3/1979 Fed. Rep. of Germany 206/366

Primary Examiner—Catherine E. Kemper
Attorney, Agent, or Firm—Fulwider, Patton, Rieber, Lee & Utecht

[57] CLAIM

The ornamental design for a disposal container for hypodermic needles, substantially as shown and described.

DESCRIPTION

FIG. 1 is a front perspective view of a disposal container for hypodermic needles embodying my design; FIG. 2 is a front view thereof; FIG. 3 is a left side view thereof; FIG. 4 is a right side view thereof; FIG. 5 is a back view showing the side opposite that shown in FIG. 1; FIG. 6 is a top plan view thereof; FIG. 7 is a bottom plan view thereof; FIG. 8 is a sectional view taken on line 8—8 of FIG. 1; FIG. 9 is a sectional view taken on line 9—9 of FIG. 1; FIG. 10 is a sectional view taken on line 10—10 of FIG. 1.

[56] References Cited
U.S. PATENT DOCUMENTS

D. 265,125	6/1982	Jordan	D24/29
D. 265,684	8/1982	Christoffel et al.	D24/99
D. 273,327	4/1984	Simicich	D24/29
D. 274,159	6/1984	Simicich	D24/29 X
4,315,592	2/1982	Smith	206/370 X
4,351,434	9/1982	Elisha	206/366
4,375,849	3/1983	Hanifl	206/63.5 X
4,380,292	4/1983	Cramer	206/366
4,485,918	12/1984	Mayer	206/366

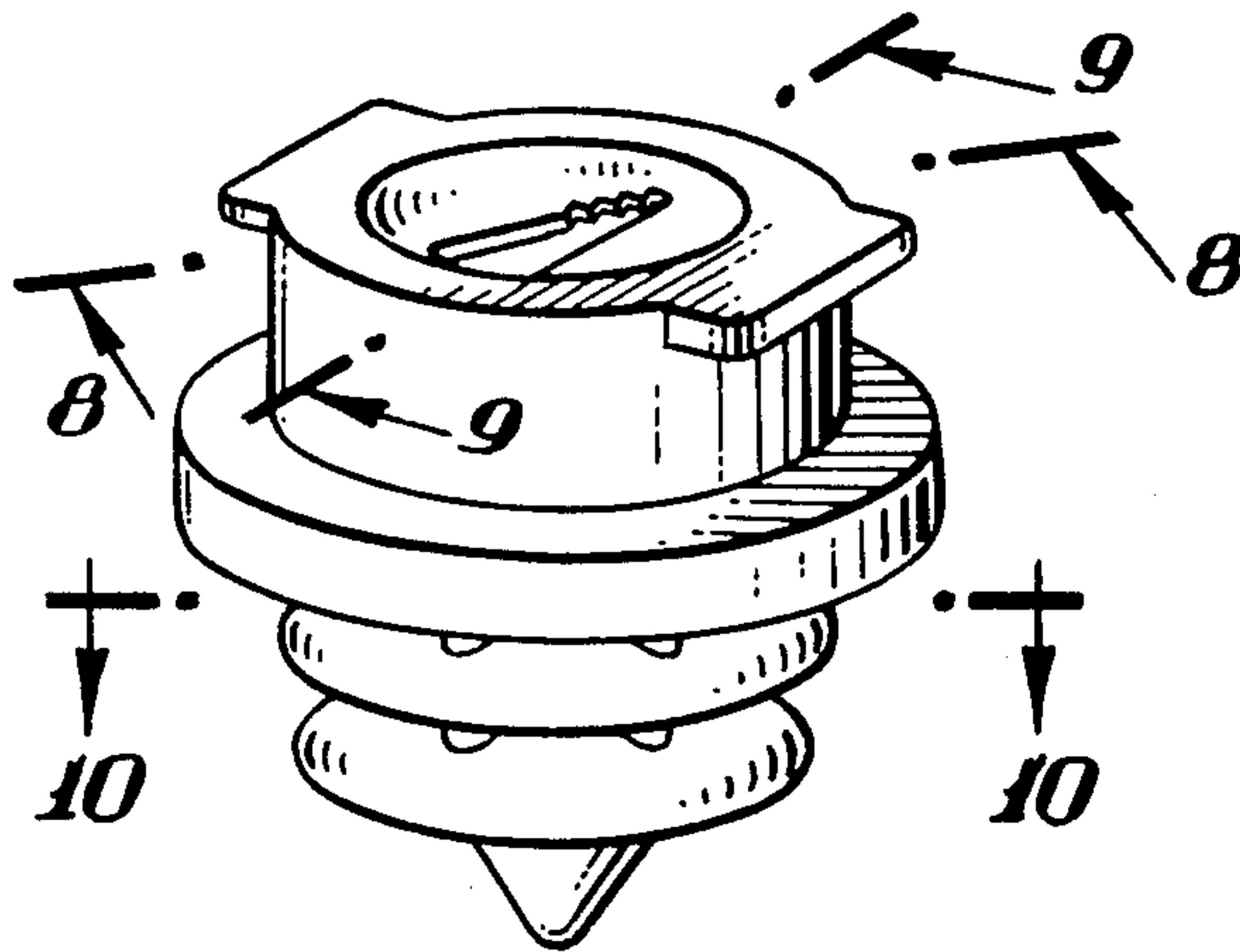


Fig. 1

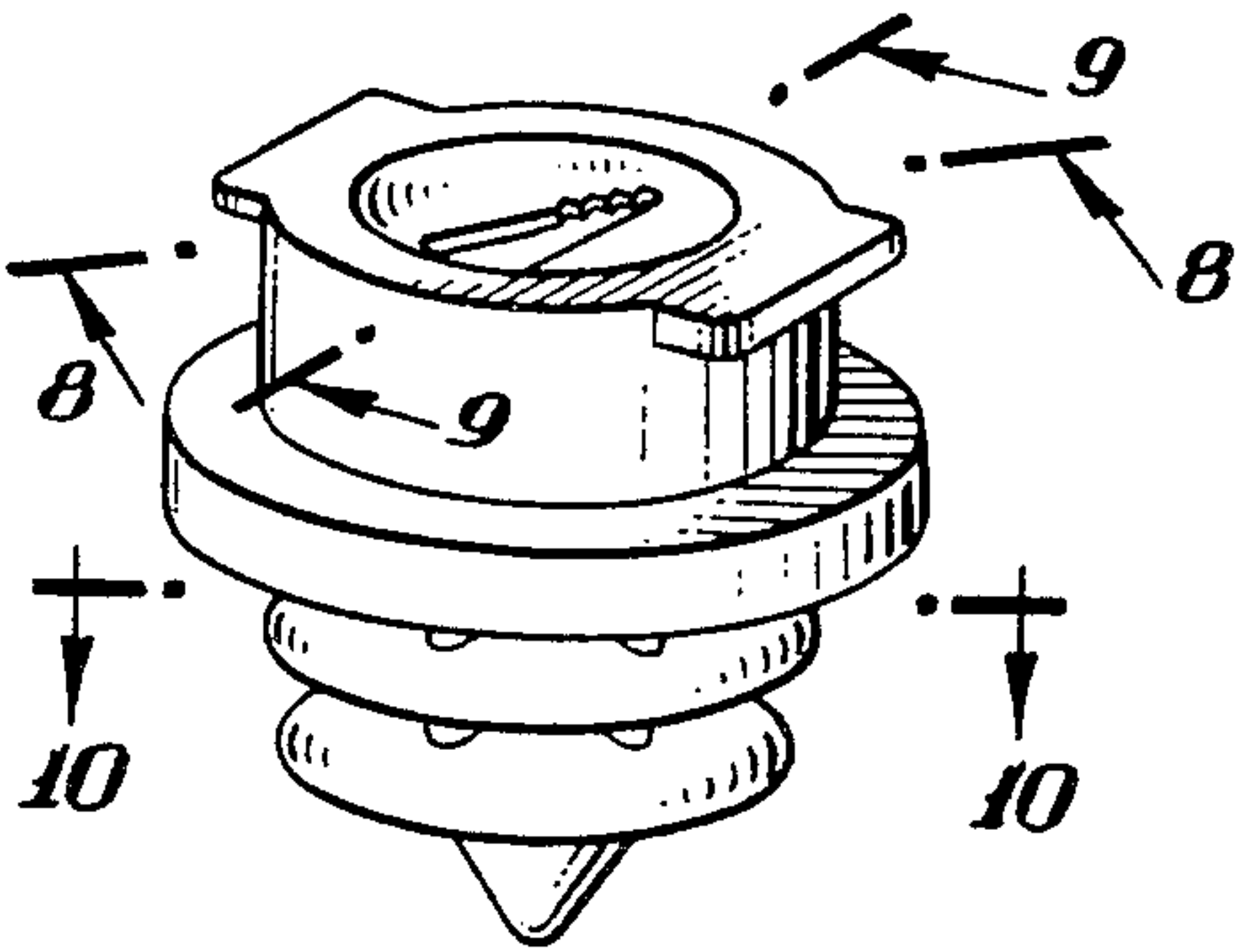


Fig. 2

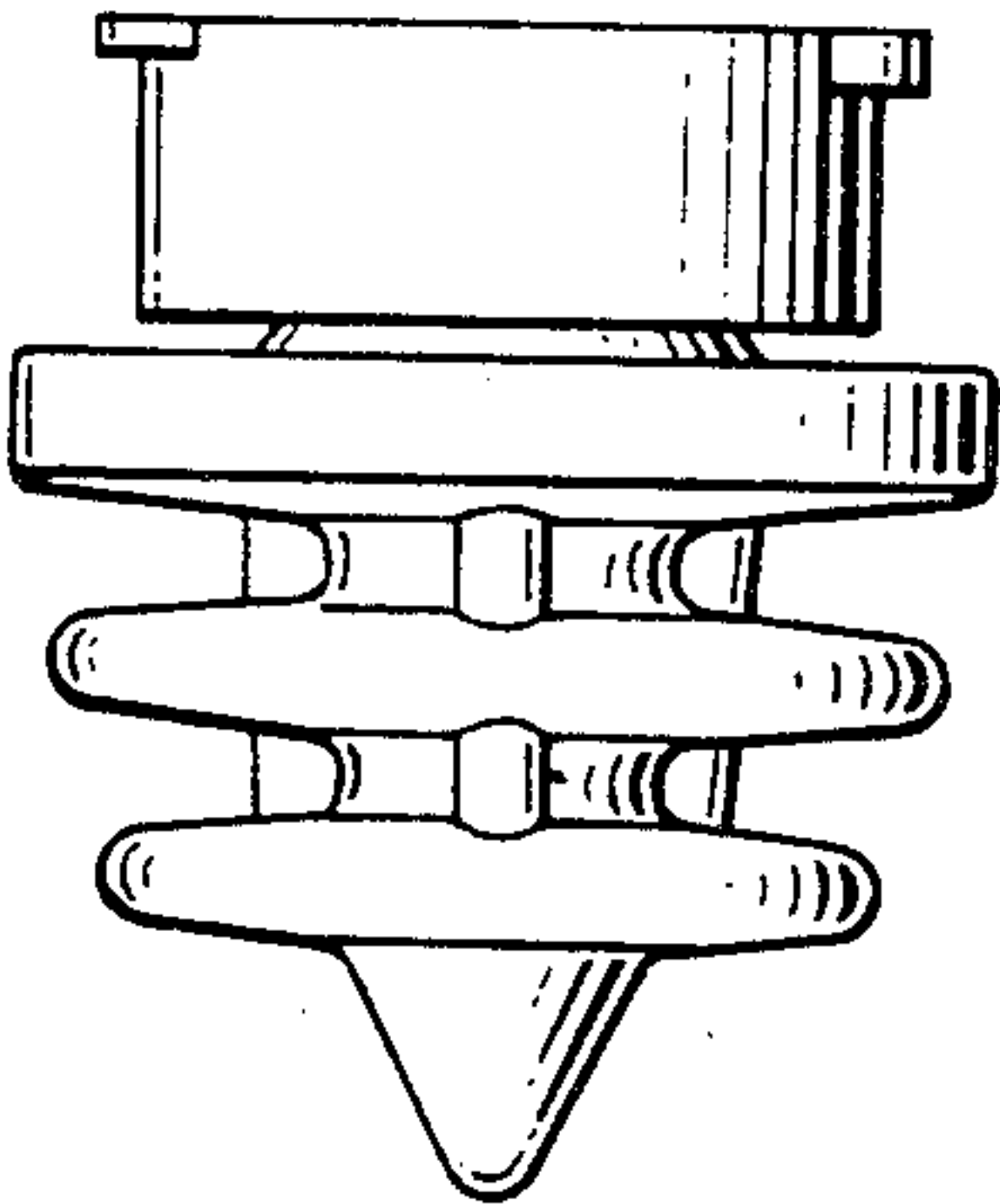


Fig. 4

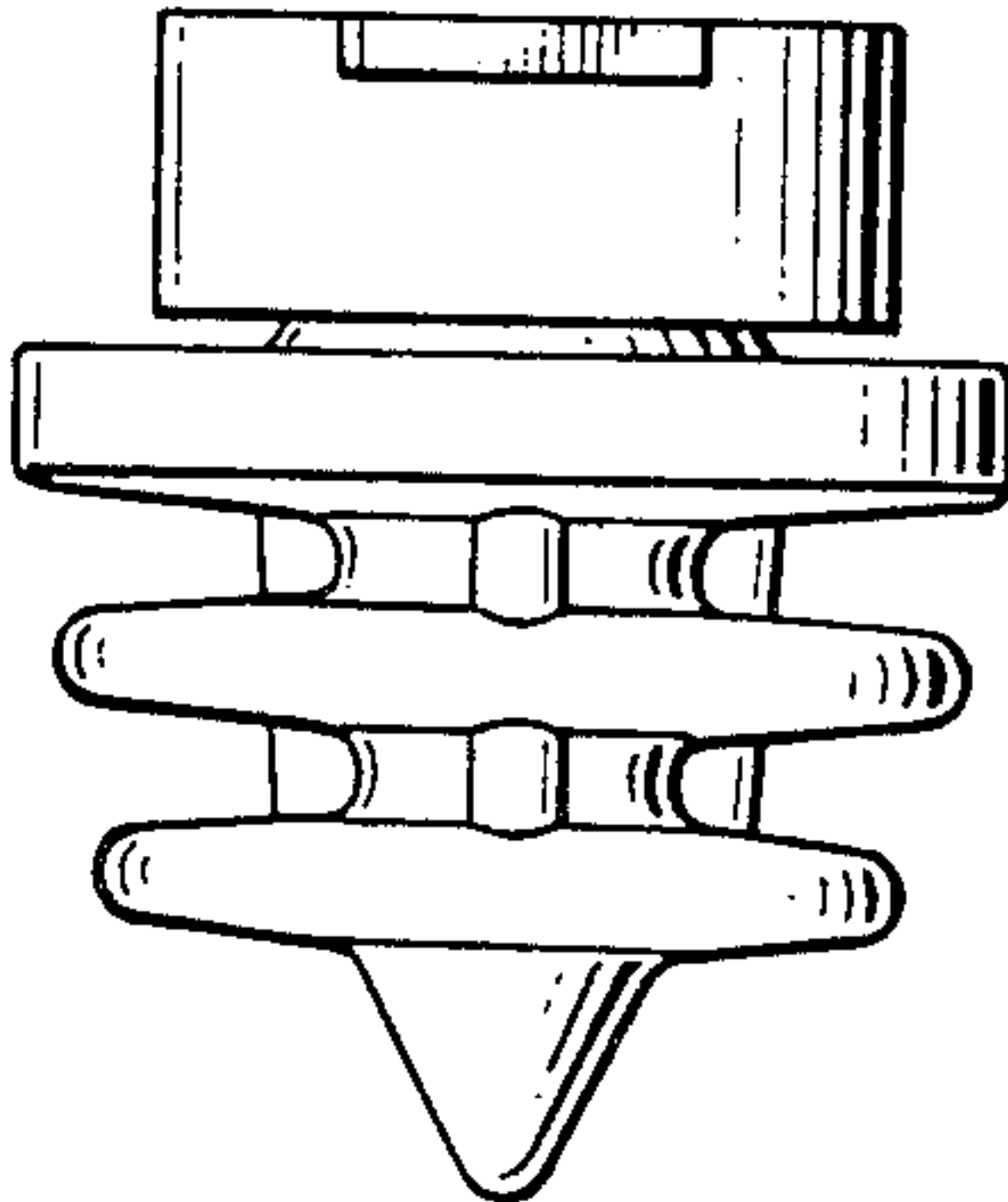


Fig. 3

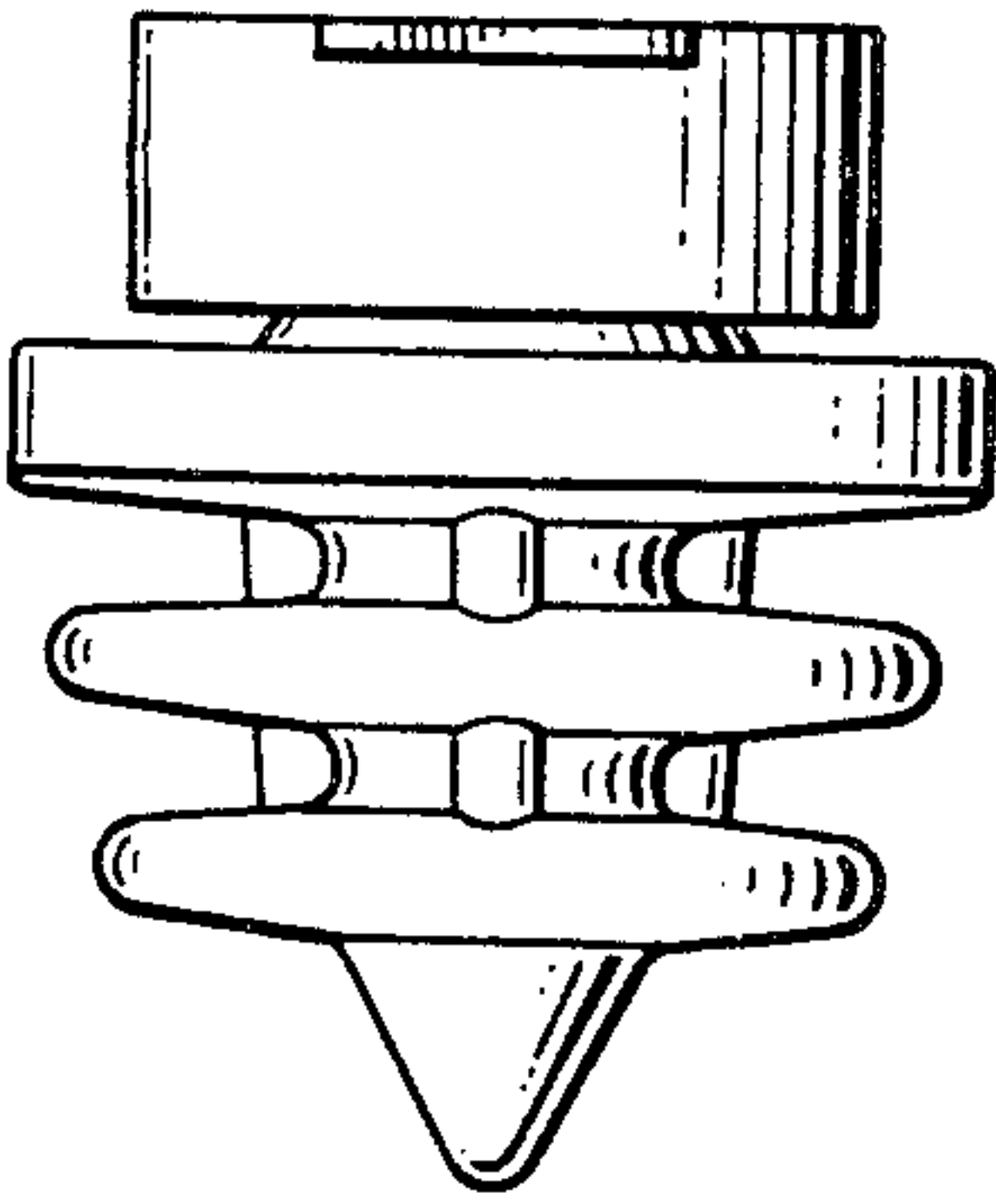


Fig. 5

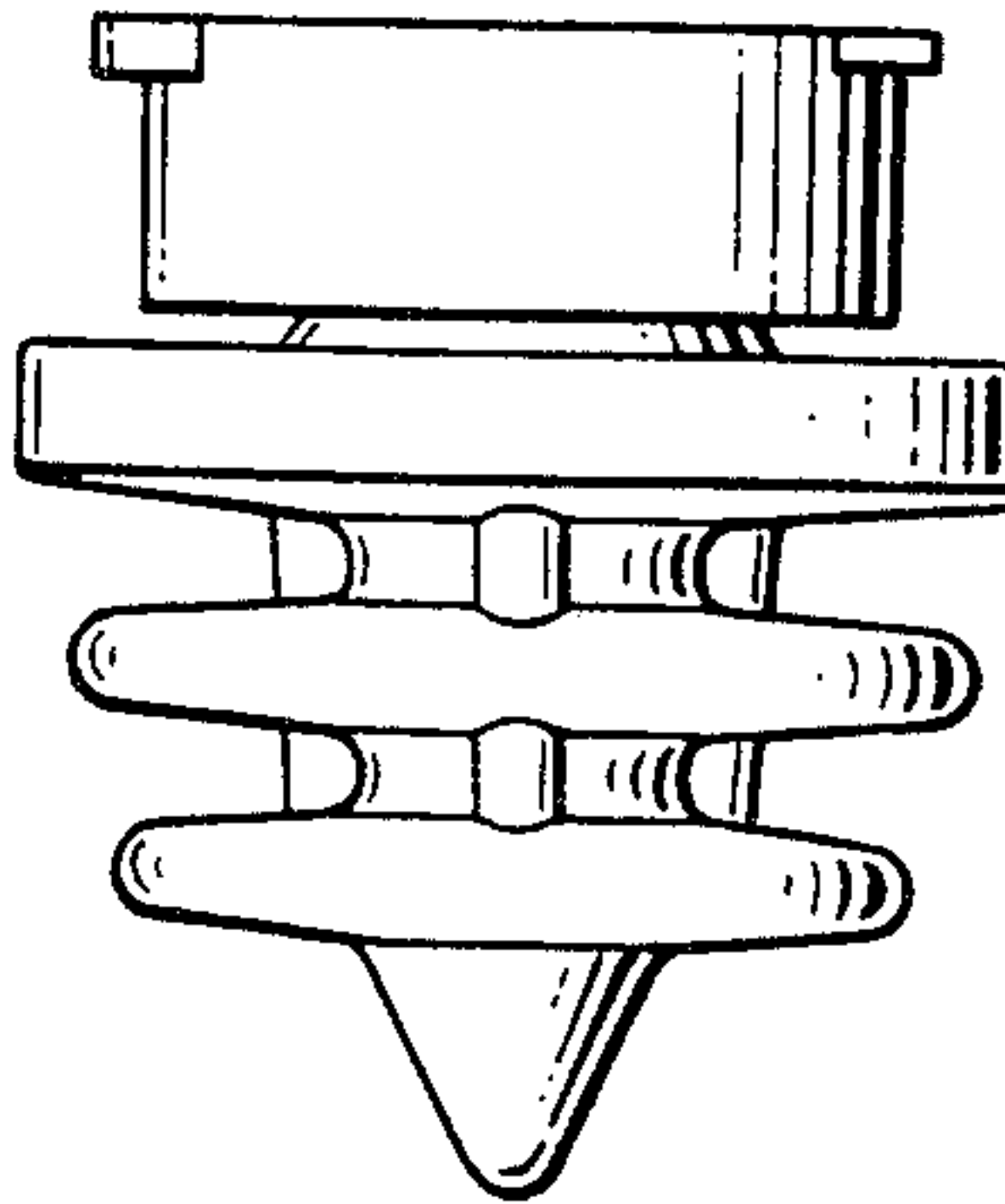


Fig. 6

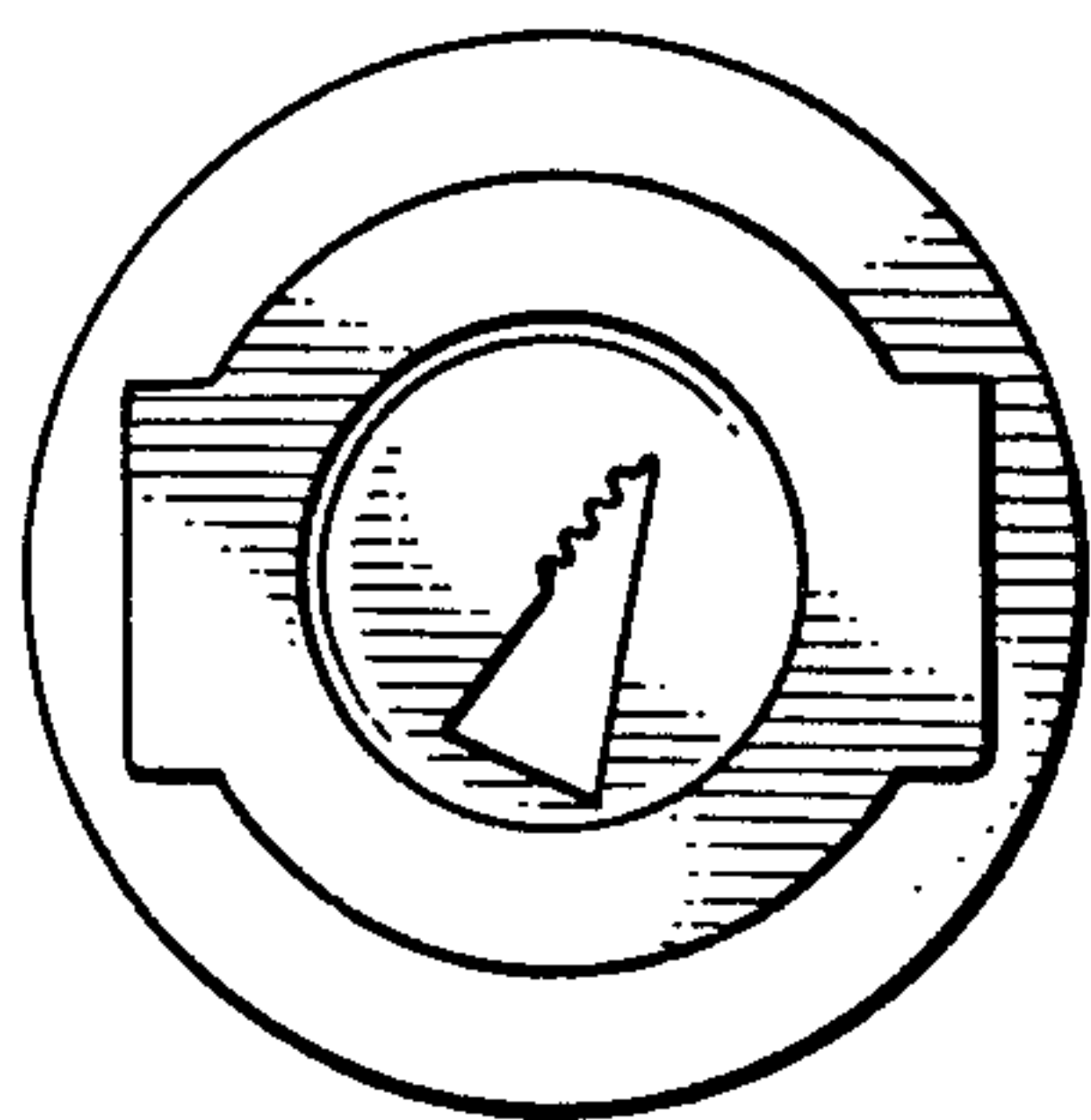


Fig. 7

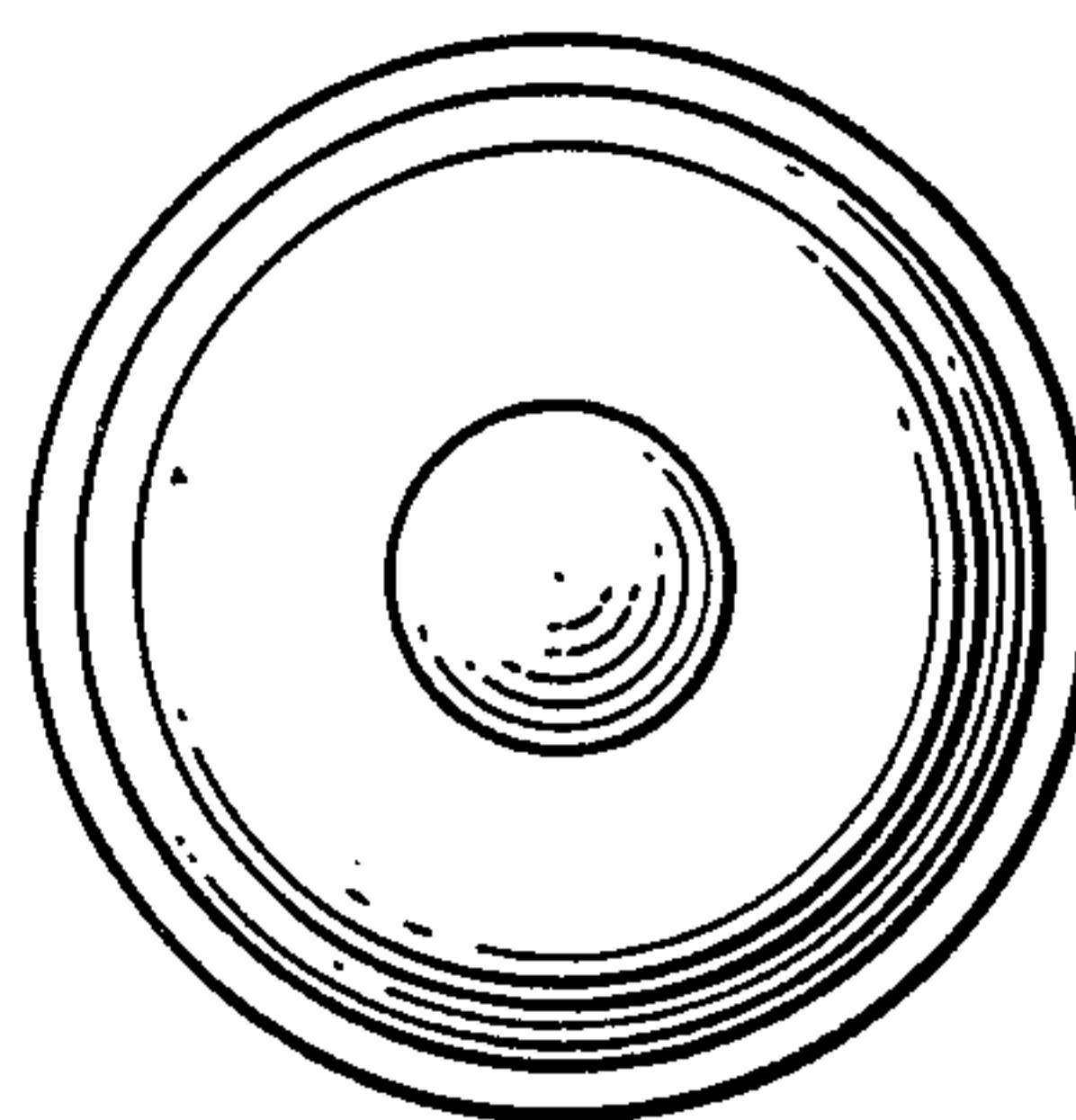


Fig. 8

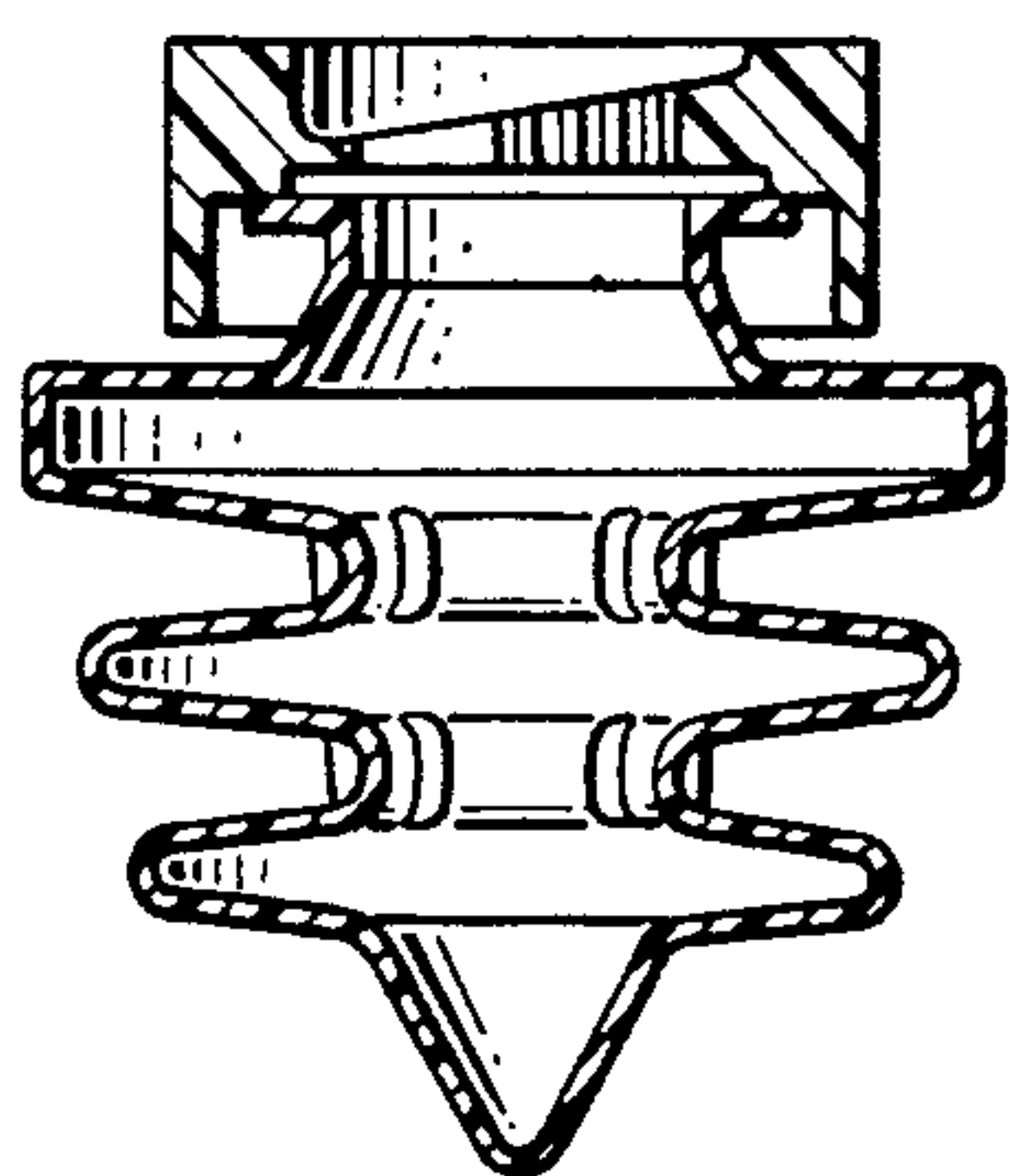


Fig. 9

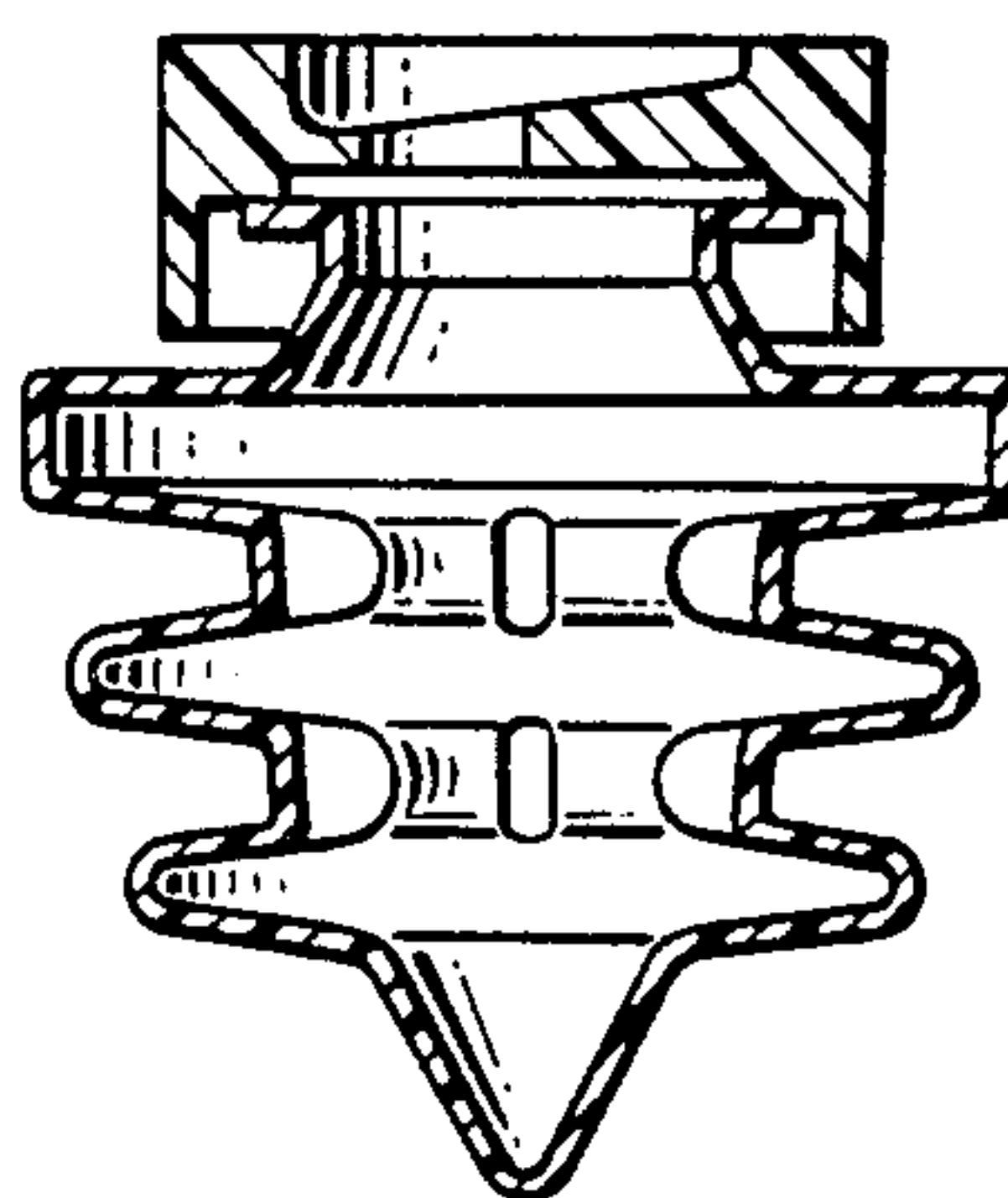


Fig. 10

