

[54] **DENTAL IMPLANT**

[76] **Inventors:** Leonard Linkow, 1530 Palisades Ave., Fort Lee, N.J. 07024; Maurice Valen, 198-45 Foothill Ave., Holliswood, Queens, N.Y. 11423

[**] **Term:** 14 Years

[21] **Appl. No.:** 441,847

[22] **Filed:** May 4, 1983

[52] **U.S. Cl.** D24/33

[58] **Field of Search** D24/4, 5, 10, 27, 16, D24/33; 128/92 C, 92 CA; 3/1.91; 433/172, 173, 174, 175, 176

[56] **References Cited**

FOREIGN PATENT DOCUMENTS

2238071 2/1973 Fed. Rep. of Germany 433/176

OTHER PUBLICATIONS

"The Blade Vent", Implant Research Corp. ©1968.
"Oral Implantology", Implants International ©1971.

Primary Examiner—A. Hugo Word

[57] **CLAIM**

The ornamental design for a dental implant, as shown and described.

DESCRIPTION

FIG. 1 is a front elevational view of a dental implant showing our new design;
FIG. 2 is a rear elevational view of a dental implant;
FIG. 3 is a left elevational side view of a dental implant;
FIG. 4 is a right side elevational view of a dental implant;
FIG. 5 is a top plan view of a dental implant; and
FIG. 6 is a bottom plan view of a dental implant.

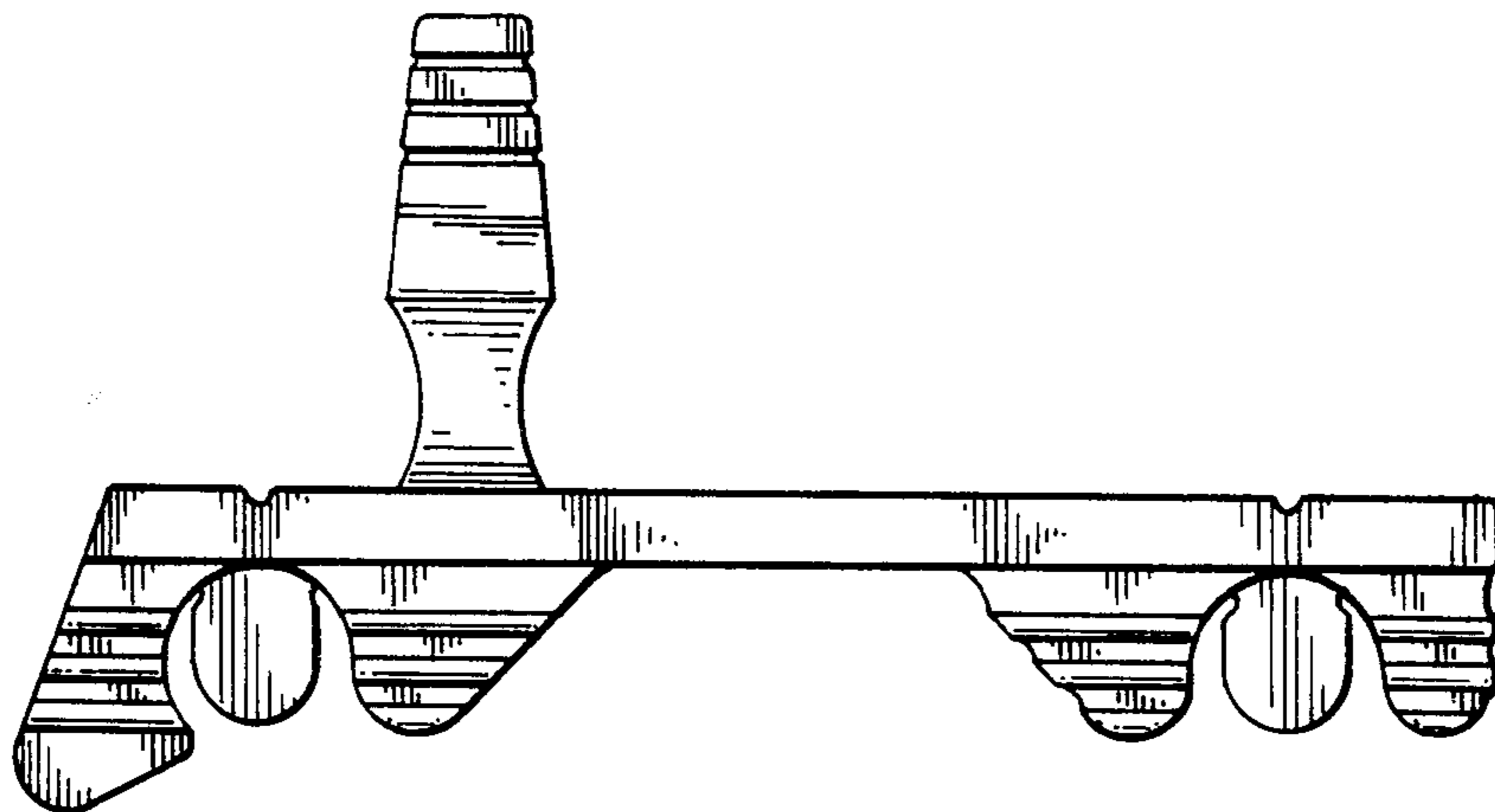


FIG. 1

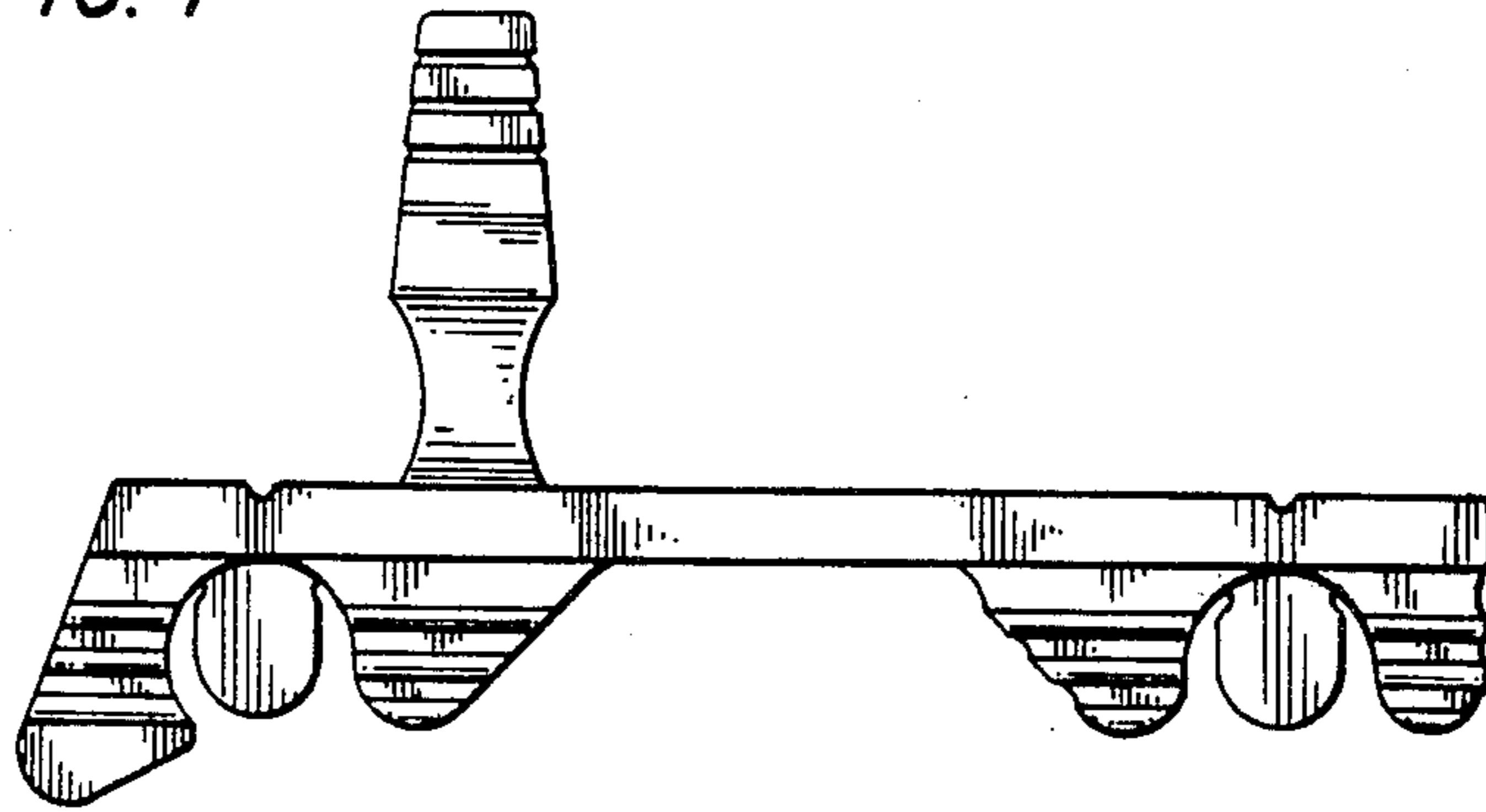


FIG. 2

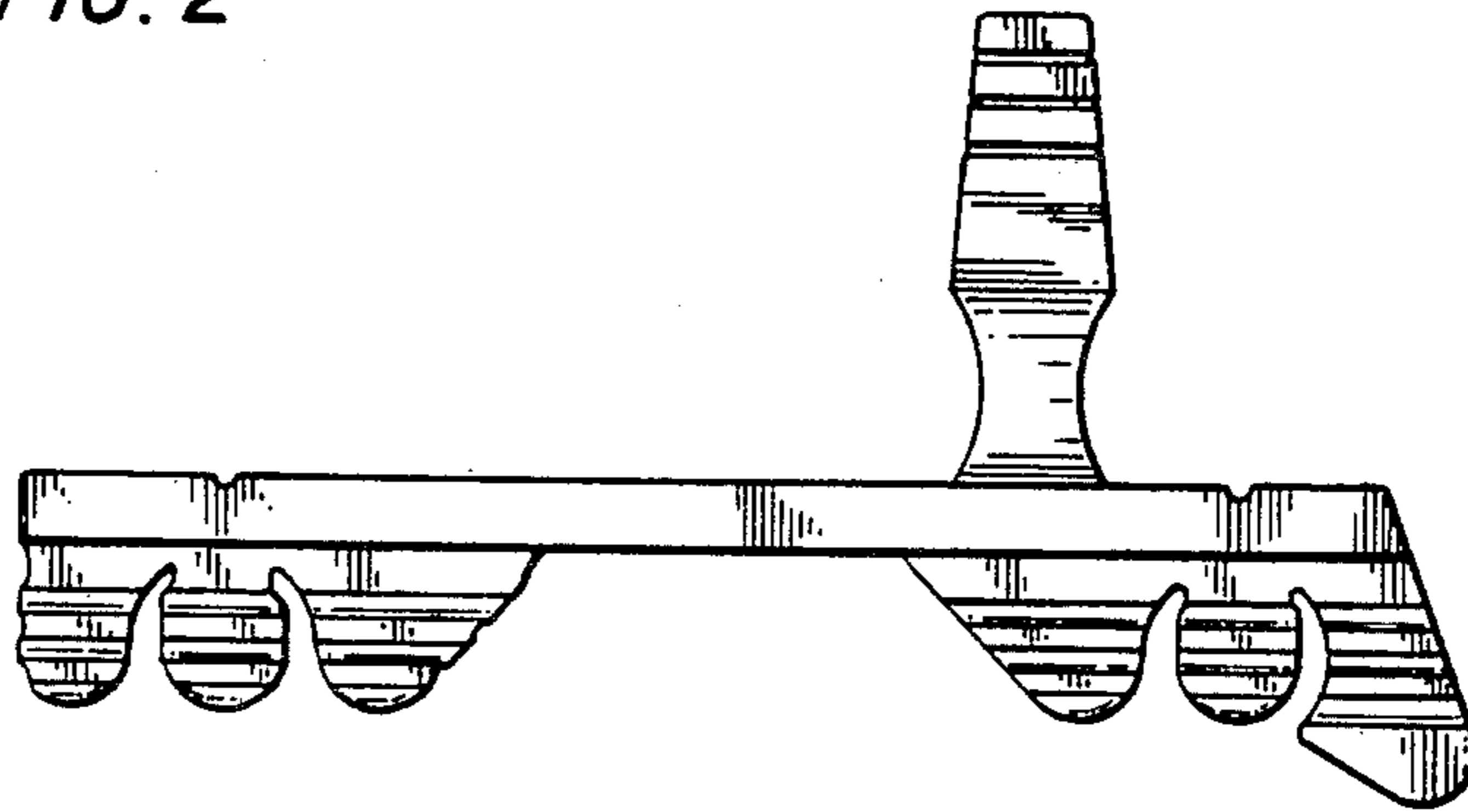


FIG. 3

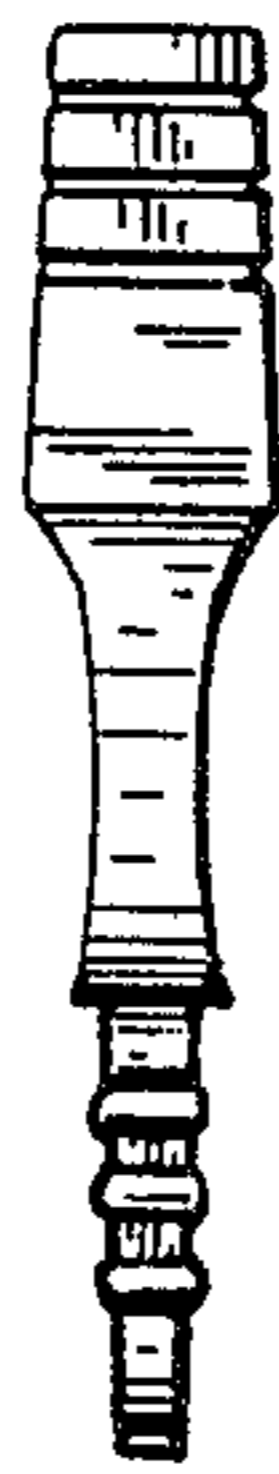


FIG. 4



FIG. 5

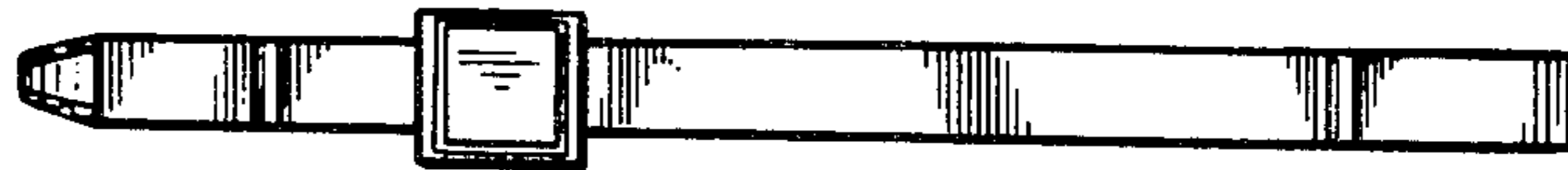


FIG. 6

