

[54] FECAL OCCULT BLOOD TEST KIT

[75] Inventor: Brian F. Duffy, Lynchburg, Va.

[73] Assignee: C. B. Fleet Company, Inc., Lynchburg, Va.

[**] Term: 14 Years

[21] Appl. No.: 465,430

[22] Filed: Feb. 9, 1983

[52] U.S. Cl. D24/21; D24/17; D24/99

[58] Field of Search 422/58, 59, 60, 61; 206/223, 568, 569, 572, 438, 828; D24/8, 17, 21, 23, 29, 99

[56] References Cited

U.S. PATENT DOCUMENTS

D. 213,030	12/1968	Michel	D24/17
D. 225,525	12/1972	Johnson et al.	D24/17
D. 226,950	5/1973	Sirago et al.	D24/21

4,175,923	11/1979	Friend	422/61 X
4,225,557	9/1980	Hartl et al.	422/56
4,365,970	12/1982	Lawrence et al.	422/56 X
4,486,536	12/1984	Baker et al.	422/61 X

Primary Examiner—Catherine E. Kemper

[57] CLAIM

The ornamental design for a fecal occult blood test kit, substantially as shown and described.

DESCRIPTION

FIG. 1 is a perspective view of a fecal blood test kit embodying my ornamental design in which cover tab components are in a closed position; FIG. 2 is a perspective view similar to FIG. 1 but illustrating the cover tab members thereof in open position; and FIG. 3 is a top plan view thereof shown with two cover tab members closed and one open. The sides which are not shown and the bottom surface are substantially planar and unornamented.

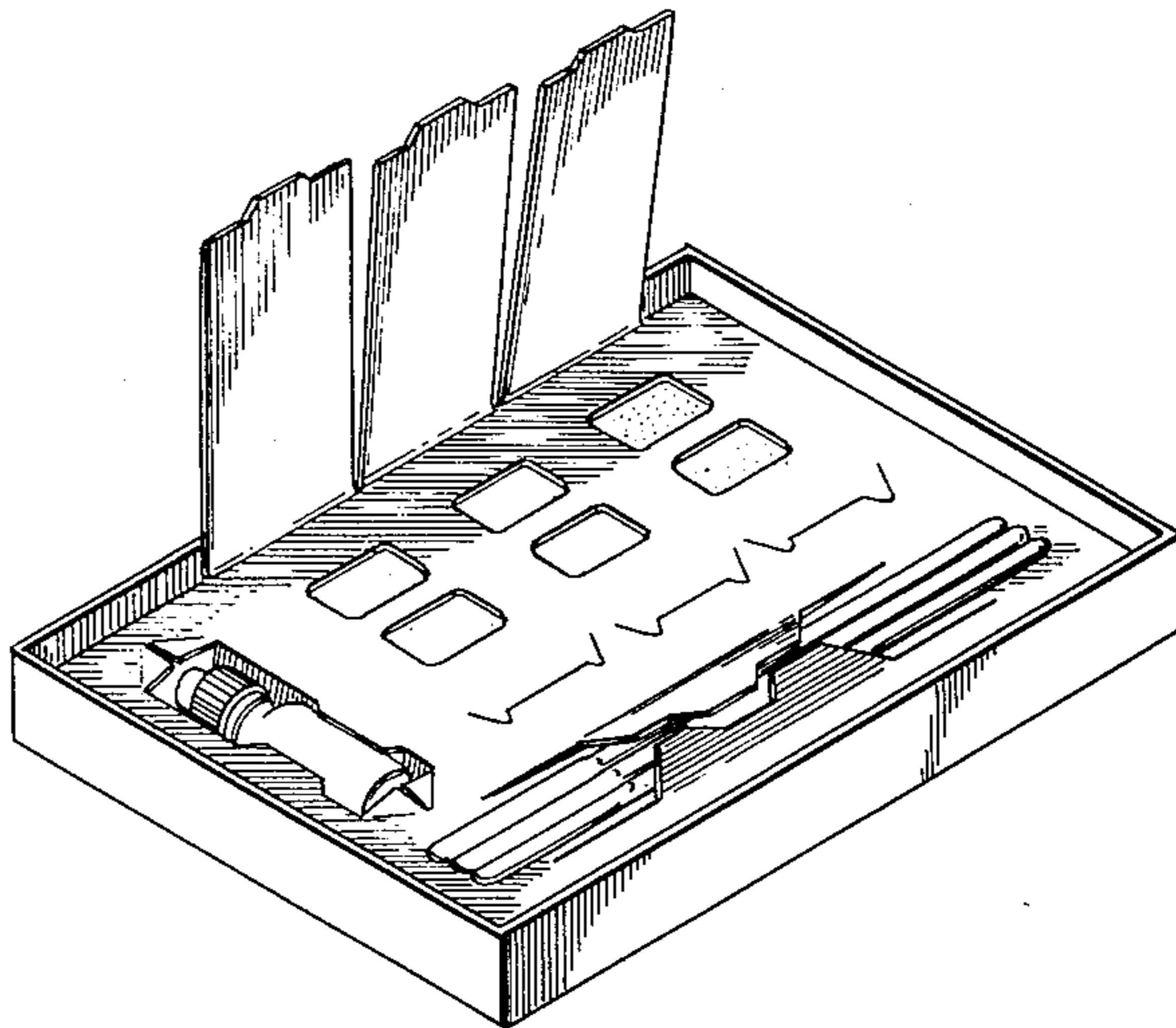


Fig-1

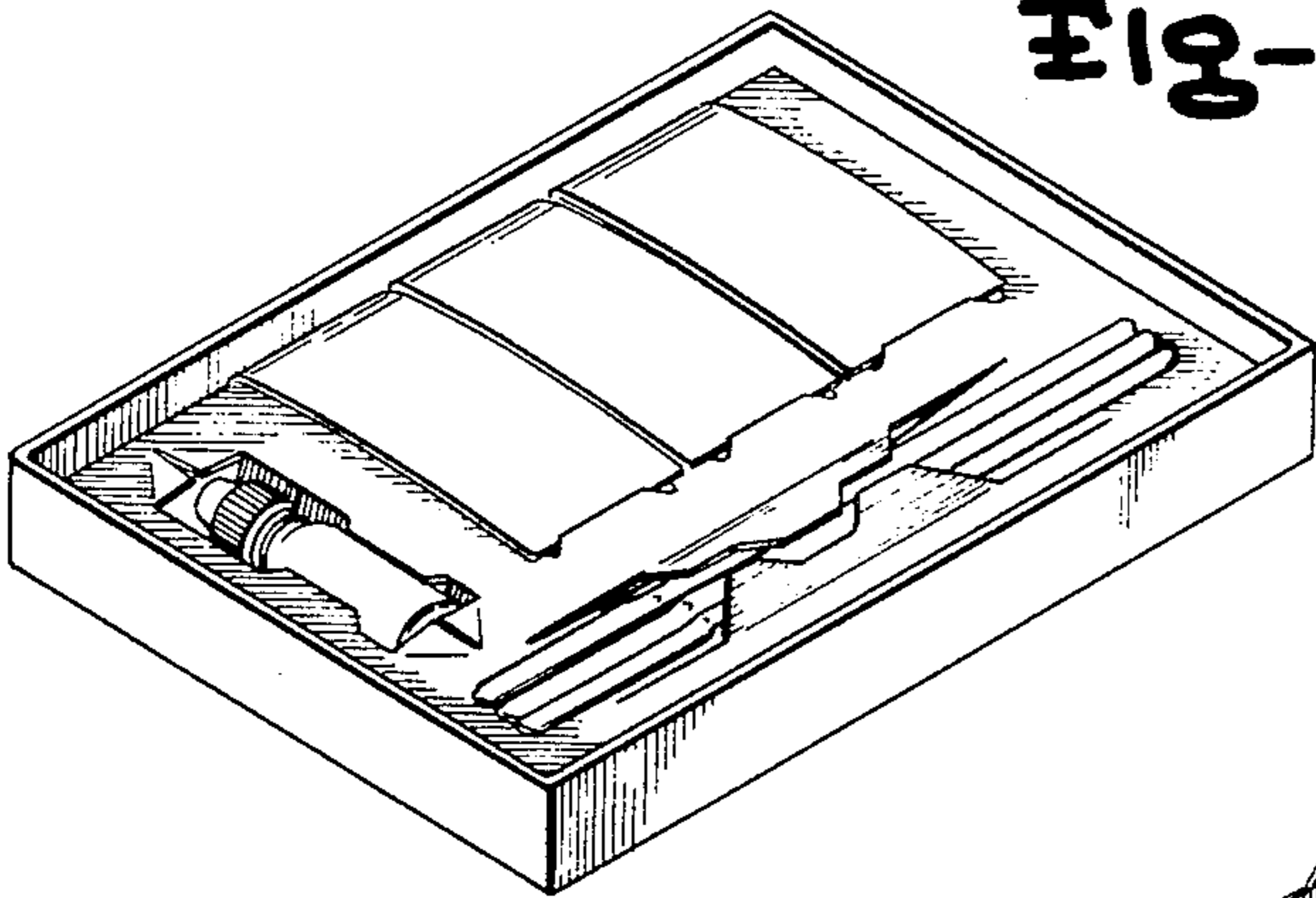


Fig-2

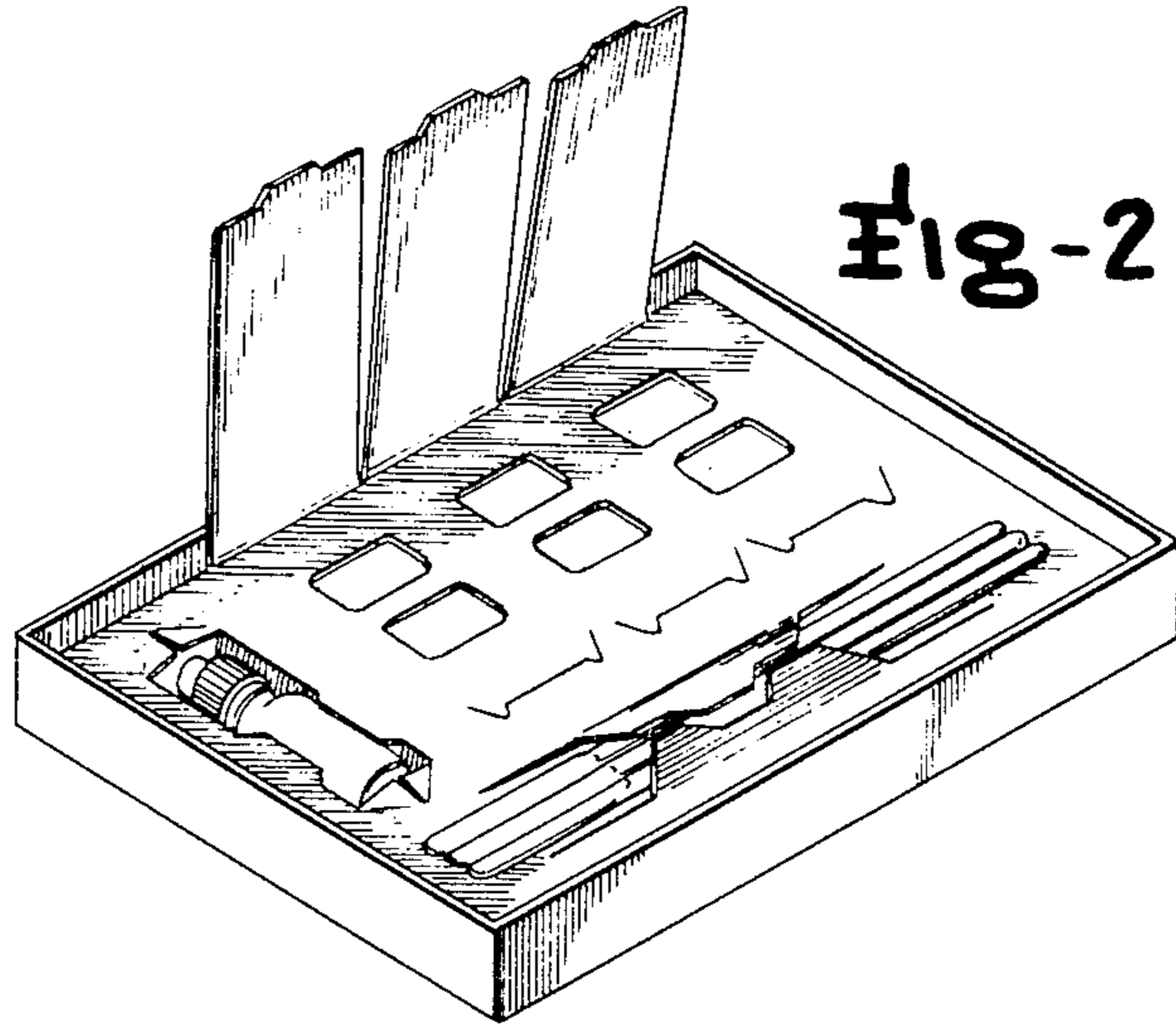


Fig-3

