

United States Patent [19]

Gunzel, Jr. et al.

[11] Patent Number: **Des. 281,900**

[45] Date of Patent: **** Dec. 24, 1985**

[54] **LAWN SPRAYER**

[75] Inventors: **Rudolph M. Gunzel, Jr.; Thomas K. Hale**, both of Glendale; **Moto Shimano**, Los Angeles, all of Calif.

[73] Assignee: **Chevron Research Company**, San Francisco, Calif.

[**] Term: **14 Years**

[21] Appl. No.: **502,303**

[22] Filed: **Jun. 8, 1983**

[52] U.S. Cl. **D23/18**

[58] Field of Search **D23/17, 18; 239/310, 239/317, 318, 447**

[56] **References Cited**

U.S. PATENT DOCUMENTS

D. 200,960	4/1965	Beinert	D23/18
D. 234,952	4/1975	Rouquie	D23/18
D. 235,063	5/1975	Gunzel, Jr. et al.	D23/18

D. 251,793	5/1979	De Gelder	D23/18
3,088,679	5/1963	Ford	239/318
3,254,844	6/1966	Blasnik et al.	239/310 X
3,770,205	11/1973	Proctor et al.	239/318 X
3,940,069	2/1976	Gunzel et al.	239/318
4,349,157	9/1982	Beiswenger et al.	239/318 X

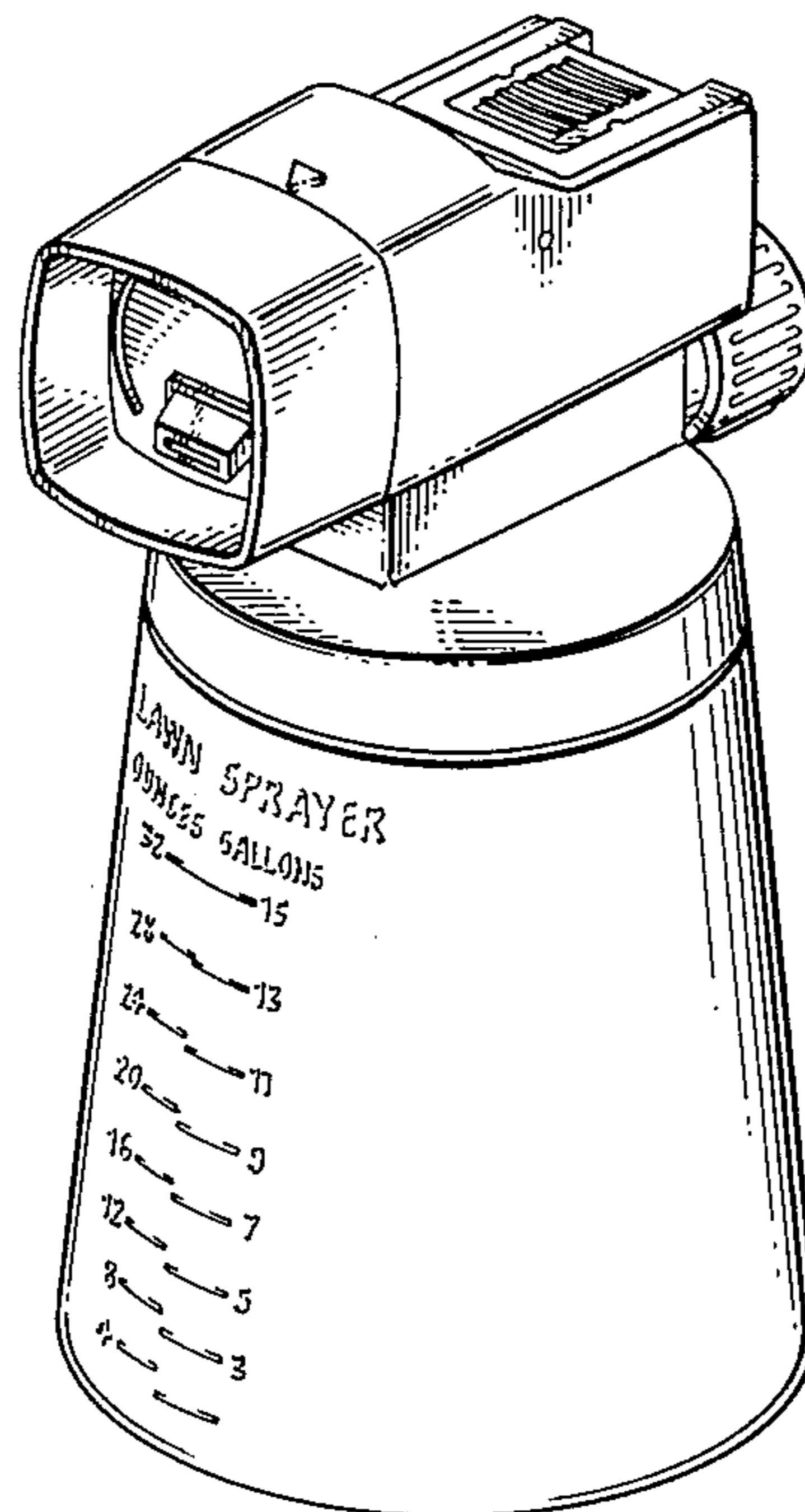
Primary Examiner—James R. Largent
Attorney, Agent, or Firm—Burns, Doane, Swecker & Mathis

[57] **CLAIM**

The ornamental design for a lawn sprayer, as shown and described.

DESCRIPTION

FIG. 1 is a perspective view of a lawn sprayer embodying our new design;
FIG. 2 is a front view thereof;
FIG. 3 is a top view thereof;
FIG. 4 is a side view thereof;
FIG. 5 is a rear view thereof; and
FIG. 6 is a bottom view thereof.



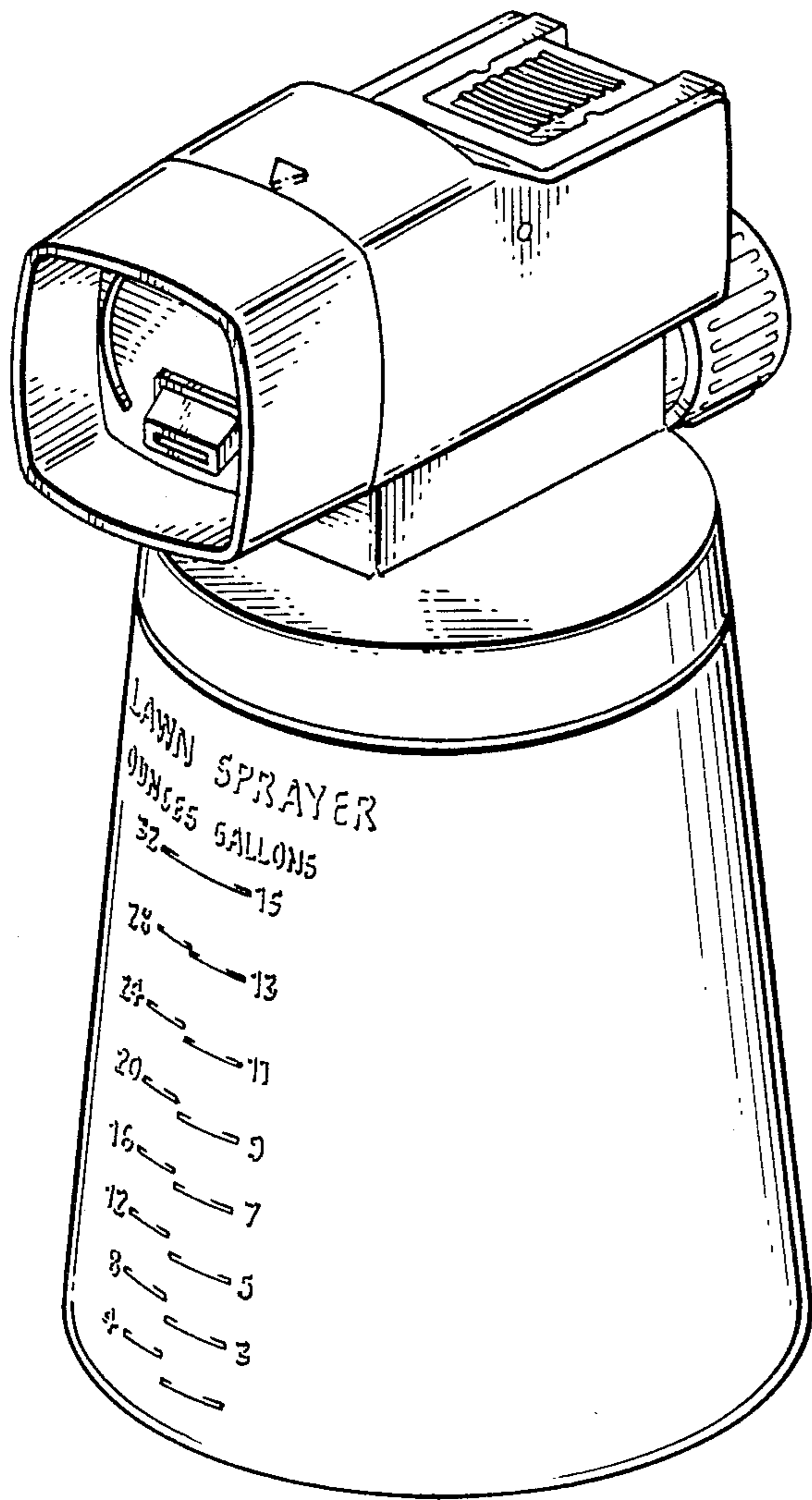


FIG. 1.

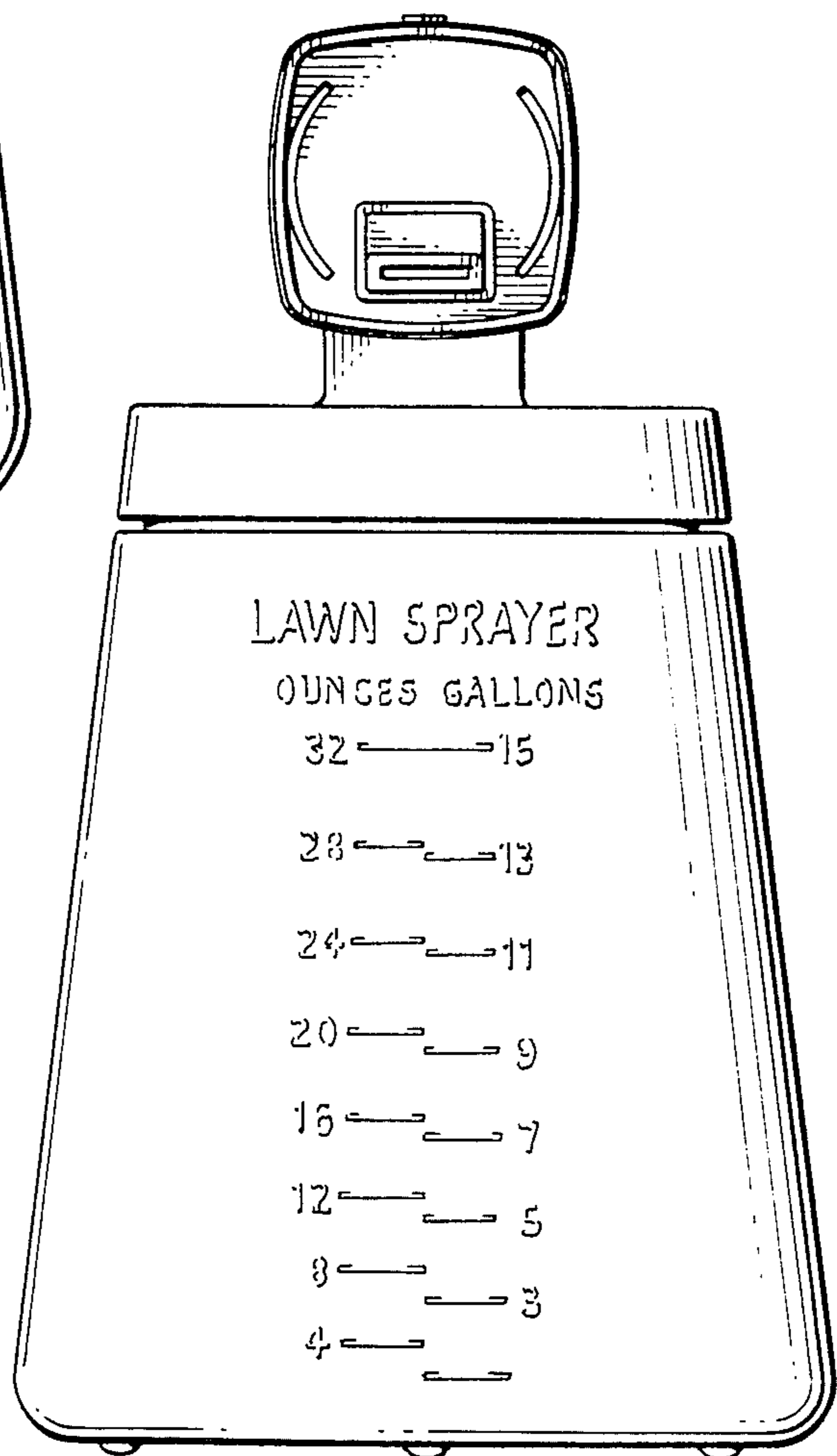


FIG. 2.

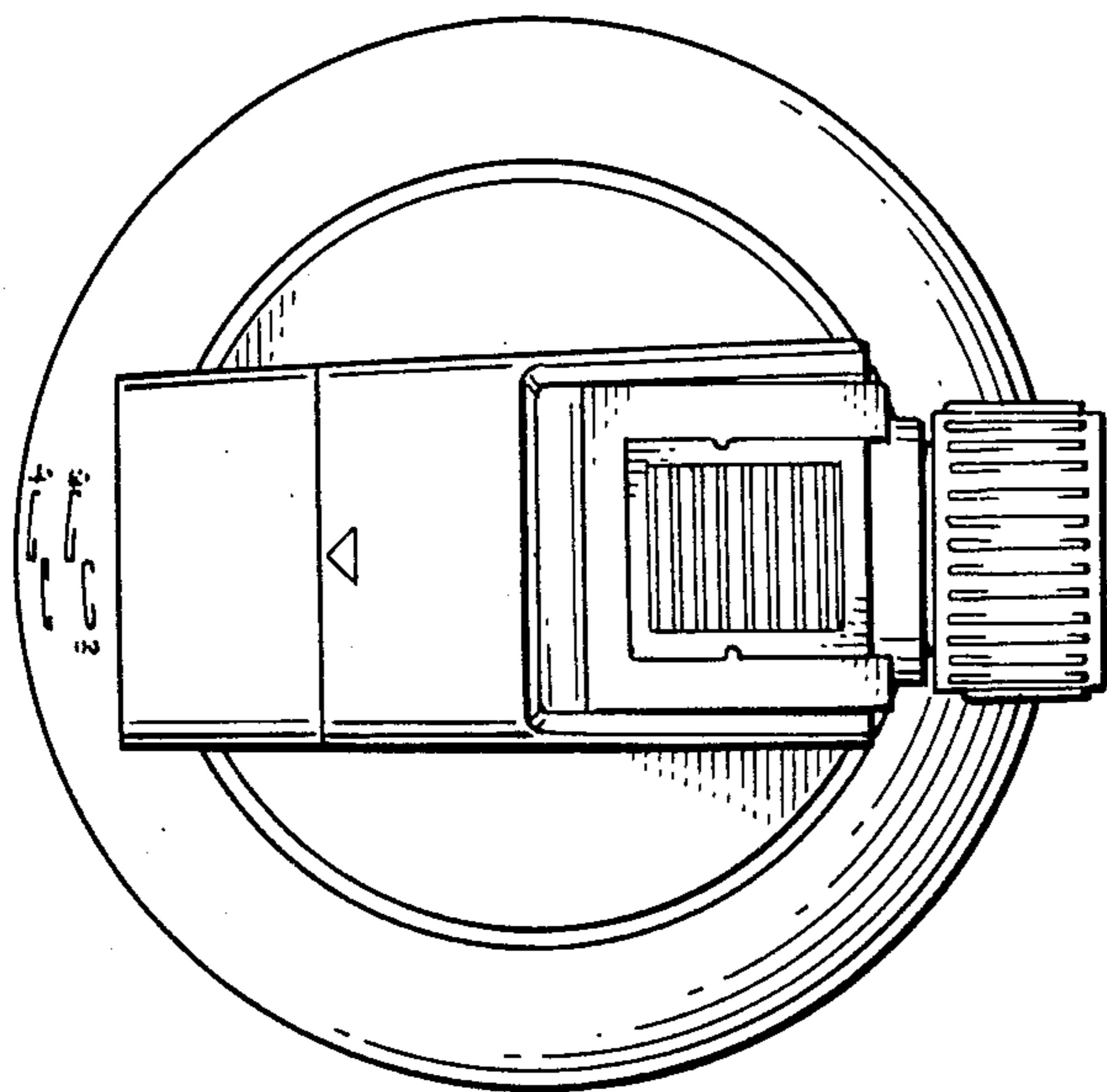


FIG. 3.

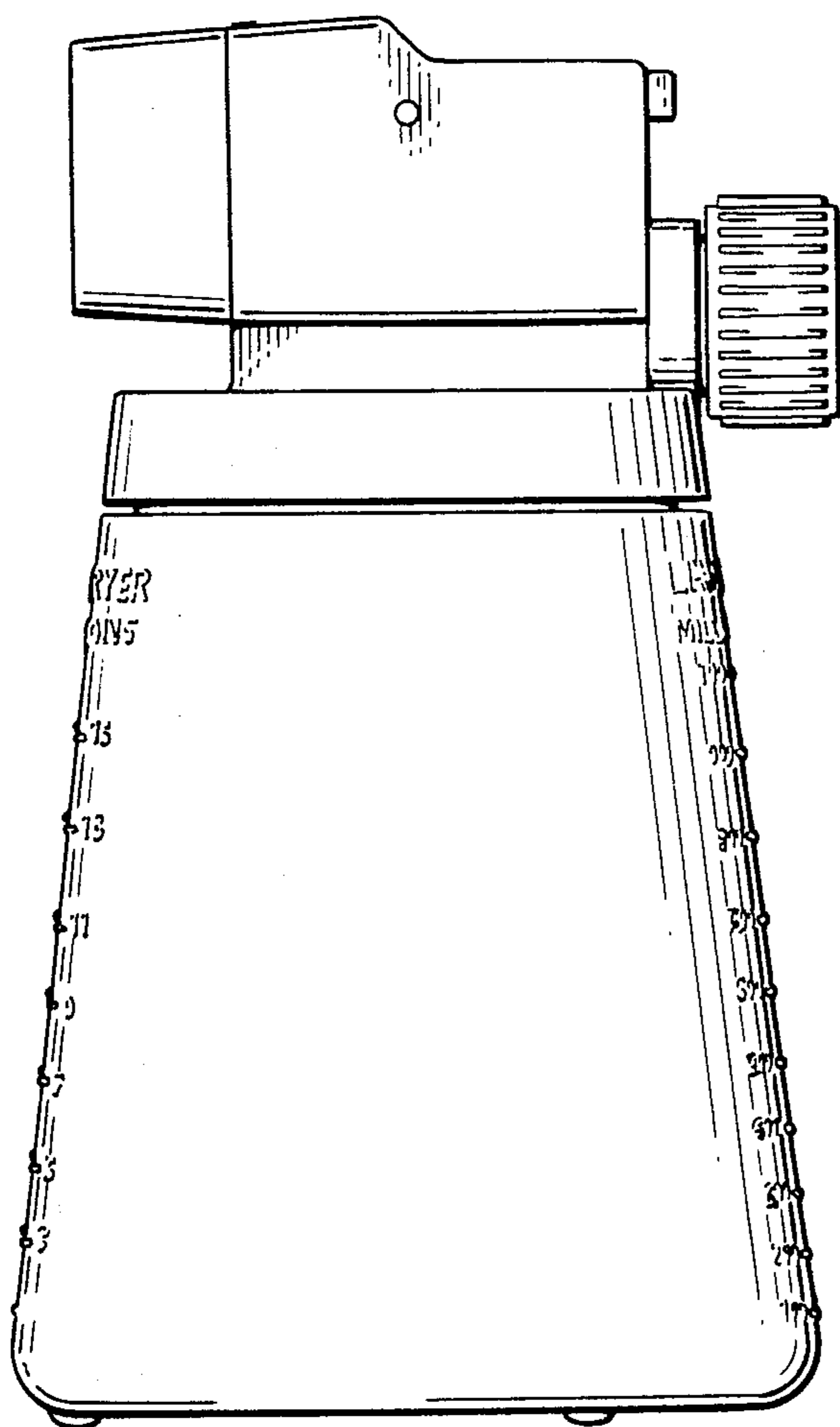


FIG. 4.

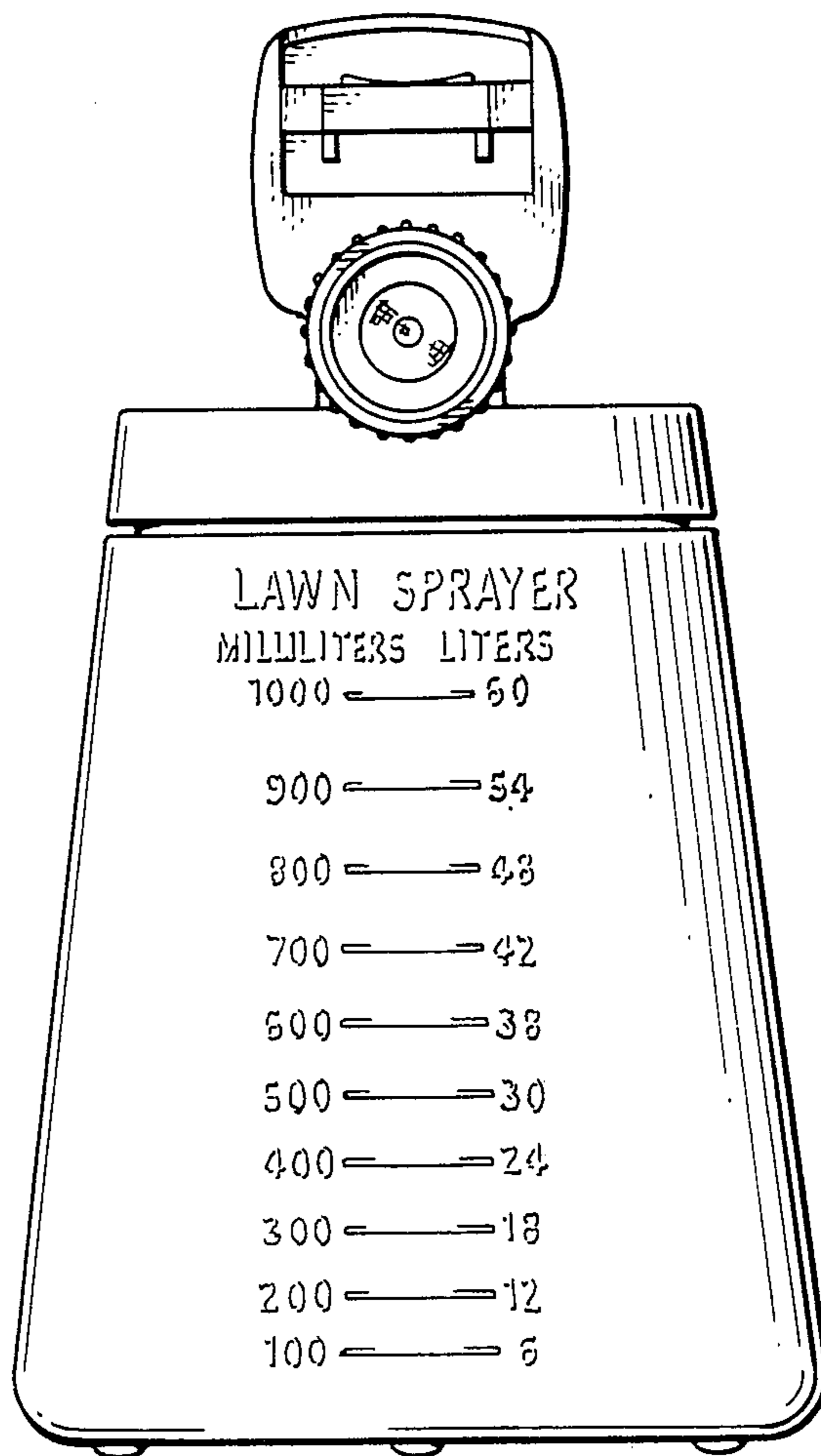


FIG. 5.

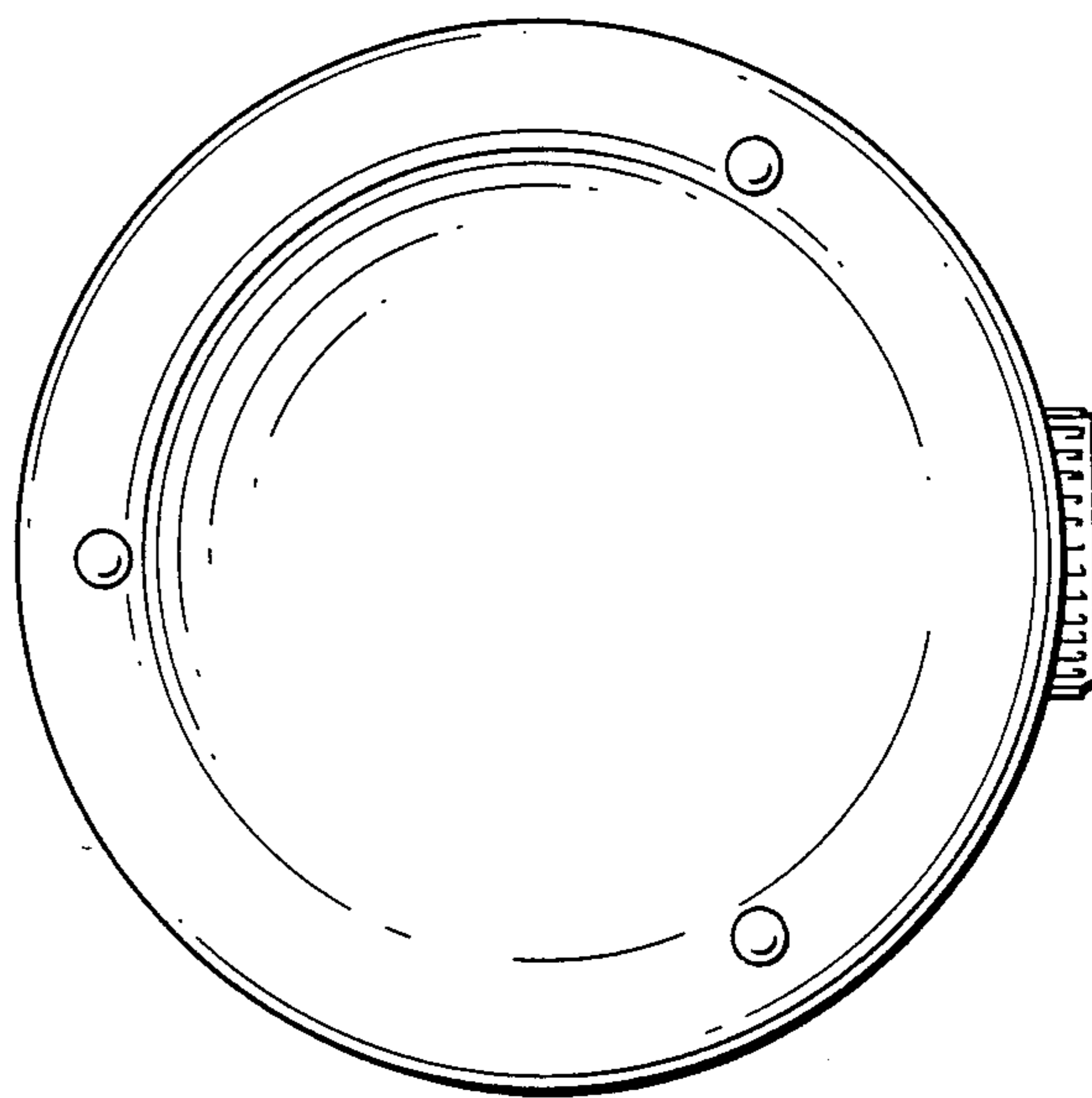


FIG. 6.