

[54] GARDEN SPRAYER

[75] Inventors: Rudolph M. Gunzel, Jr.; Thomas K. Hale, both of Glendale; Moto Shimano, Los Angeles, all of Calif.

[73] Assignee: Chevron Research Company, San Francisco, Calif.

[\*\*] Term: 14 Years

[21] Appl. No.: 502,302

[22] Filed: Jun. 8, 1983

[52] U.S. Cl. .... D23/18

[58] Field of Search ..... D23/17, 18; 239/310, 239/317, 318, 447

[56] References Cited

U.S. PATENT DOCUMENTS

D. 200,960	4/1965	Beinert .....	D23/18
D. 234,952	4/1975	Rouquie .....	D23/18
D. 235,063	5/1975	Gunzel, Jr. et al. ....	D23/18

D. 251,793	5/1979	De Gelder .....	D23/18
3,088,679	5/1963	Ford .....	239/318
3,254,844	6/1966	Blasnik et al. ....	239/310 X
3,770,205	11/1973	Proctor et al. ....	239/318 X
3,940,069	2/1976	Gunzel et al. ....	239/318
4,349,157	9/1982	Beiswenger et al. ....	239/318 X

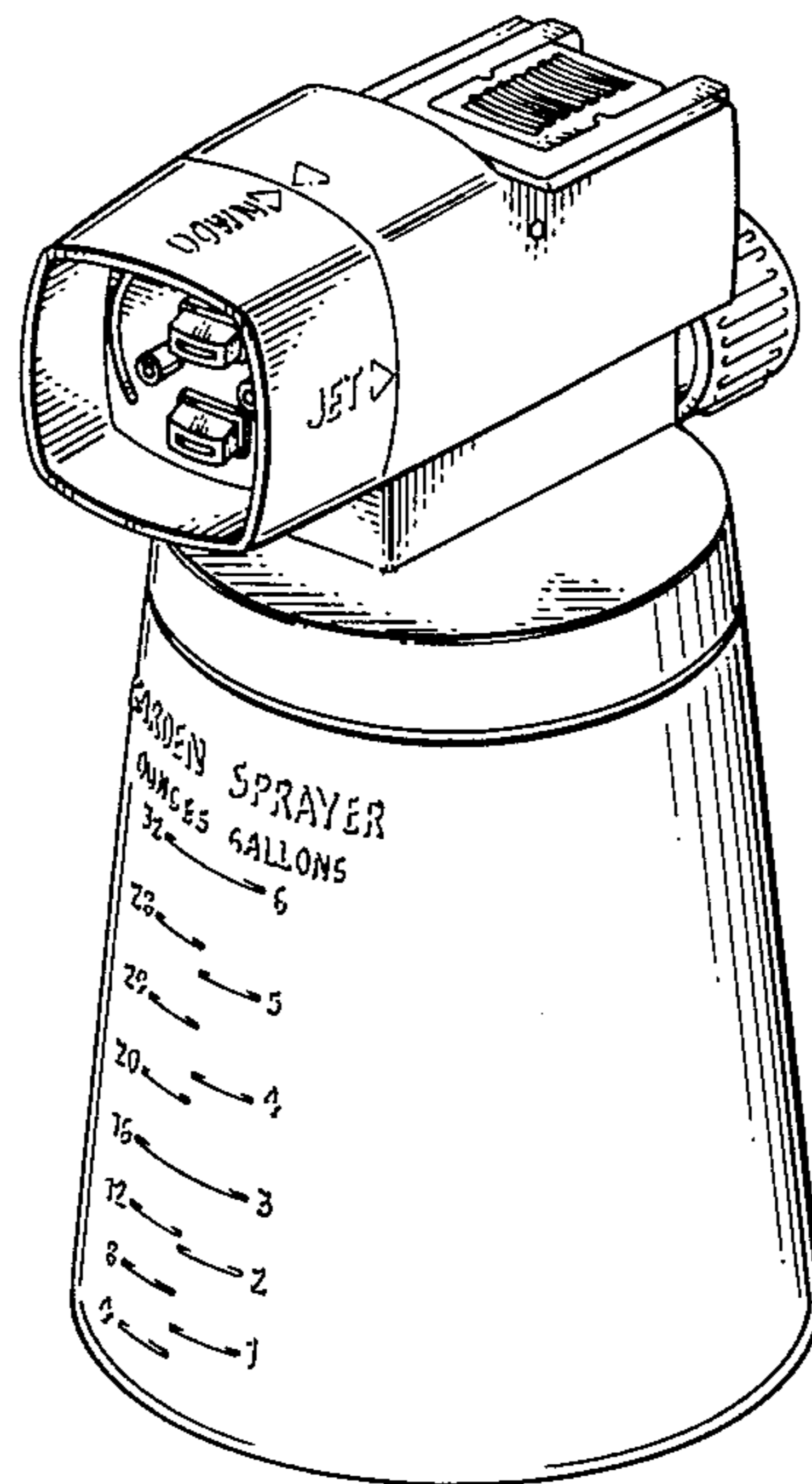
Primary Examiner—James R. Largen  
Attorney, Agent, or Firm—Burns, Doane, Swecker & Mathis

[57] CLAIM

The ornamental design for a garden sprayer, as shown and described.

DESCRIPTION

FIG. 1 is a perspective view of a garden sprayer embodying our new design;  
FIG. 2 is a front view thereof;  
FIG. 3 is a top view thereof;  
FIG. 4 is a side view thereof;  
FIG. 5 is a rear view thereof; and  
FIG. 6 is a bottom view thereof.



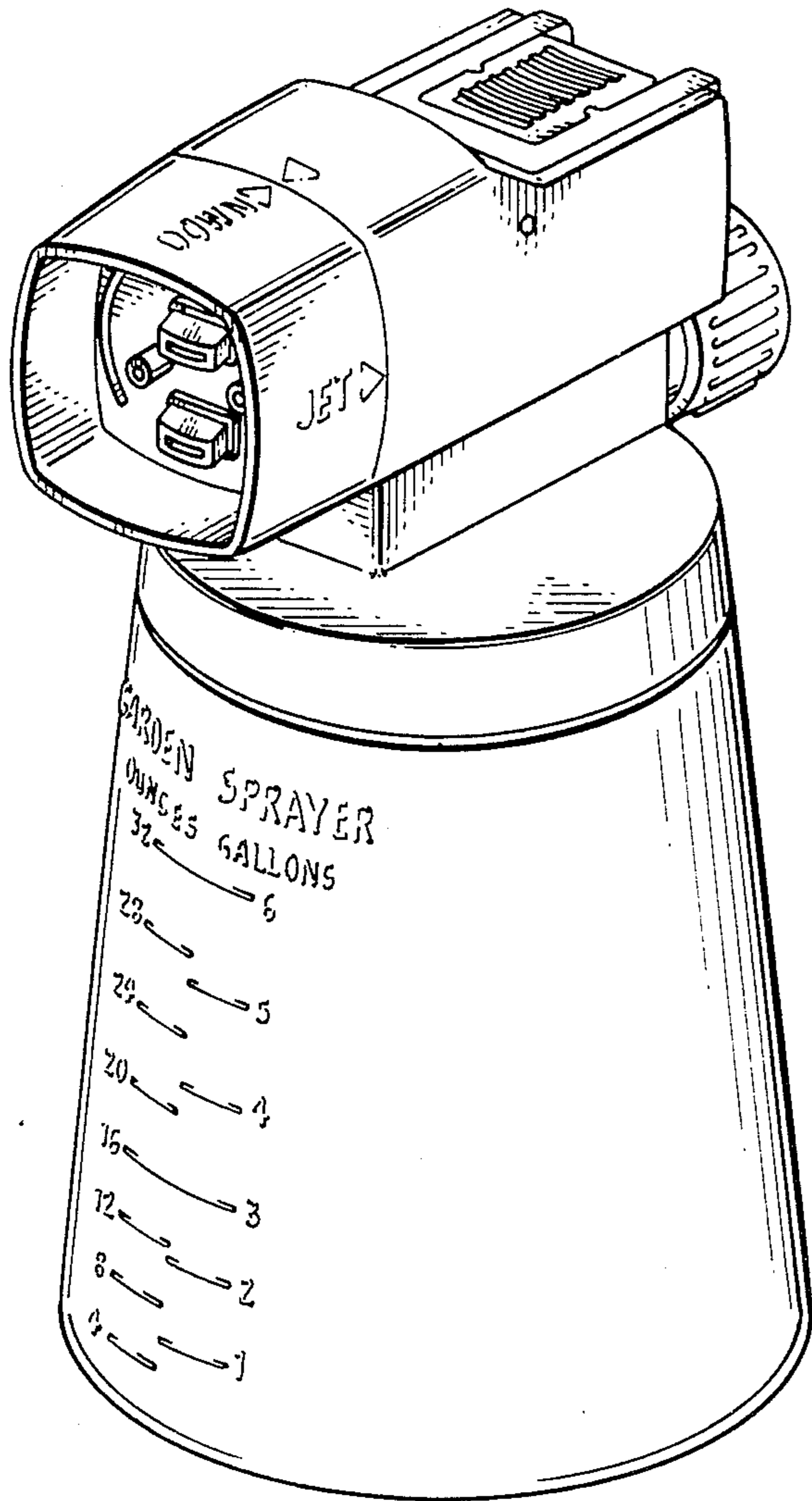


FIG. 1.

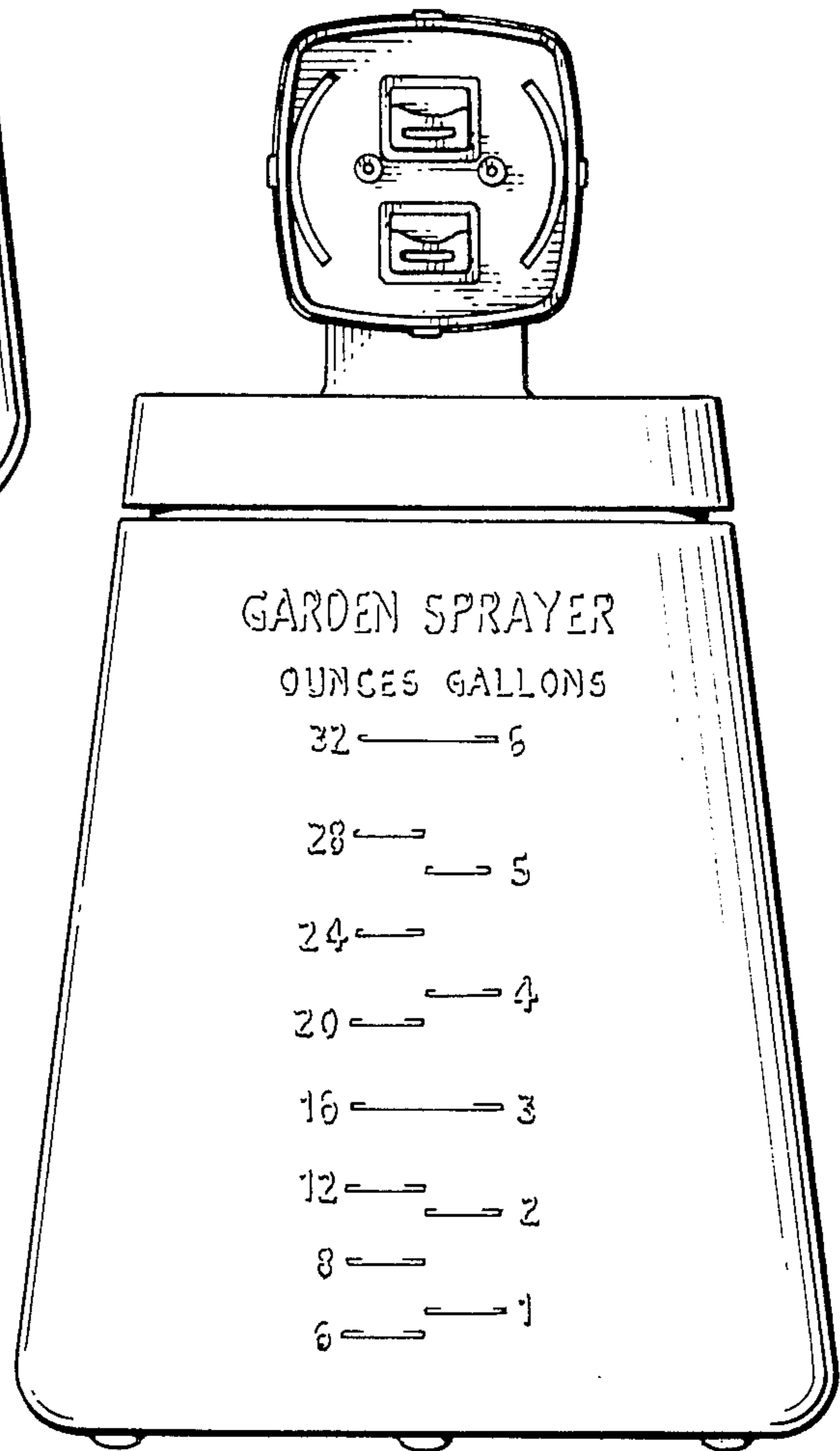


FIG. 2.

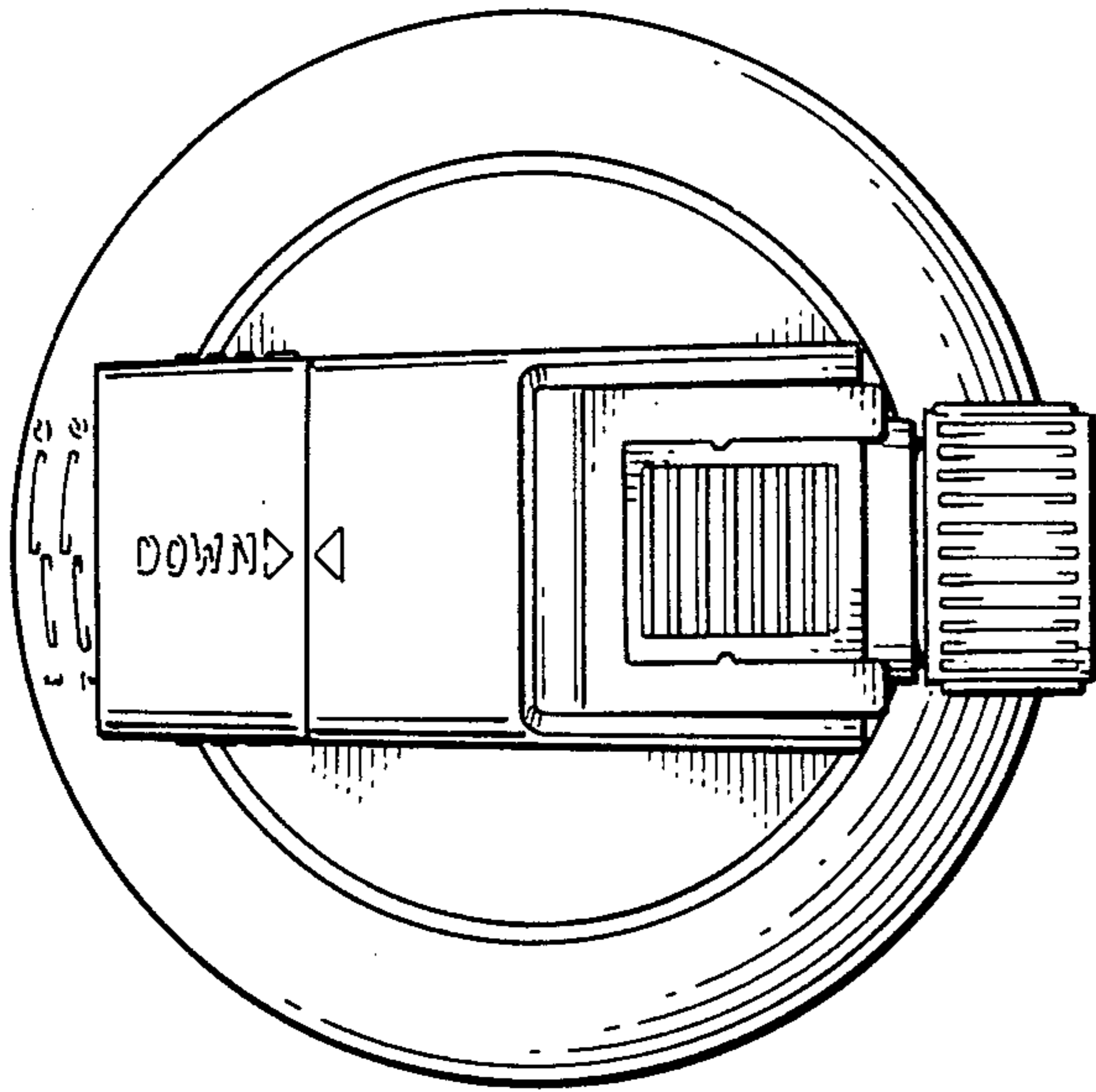


FIG. 3.

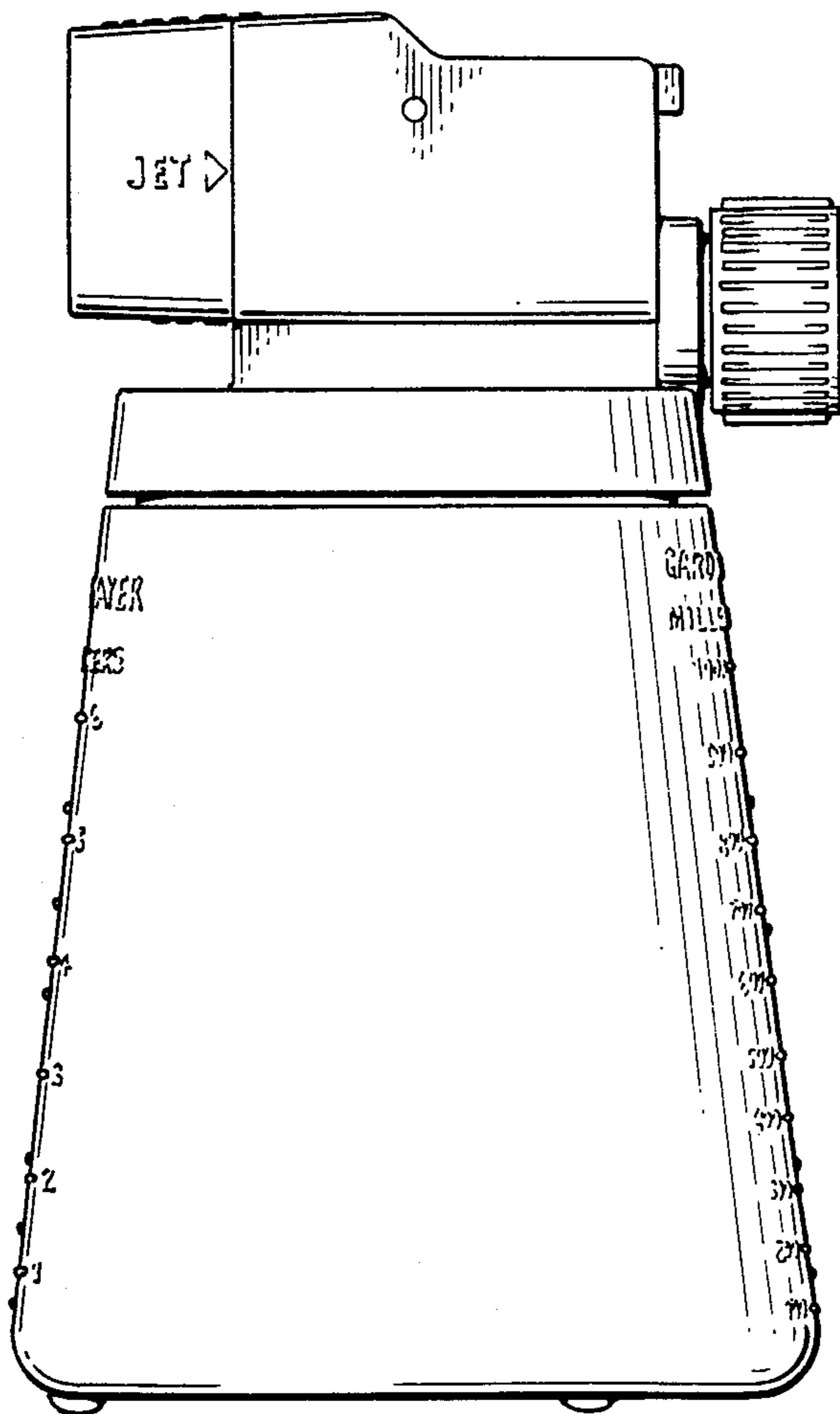


FIG. 4.

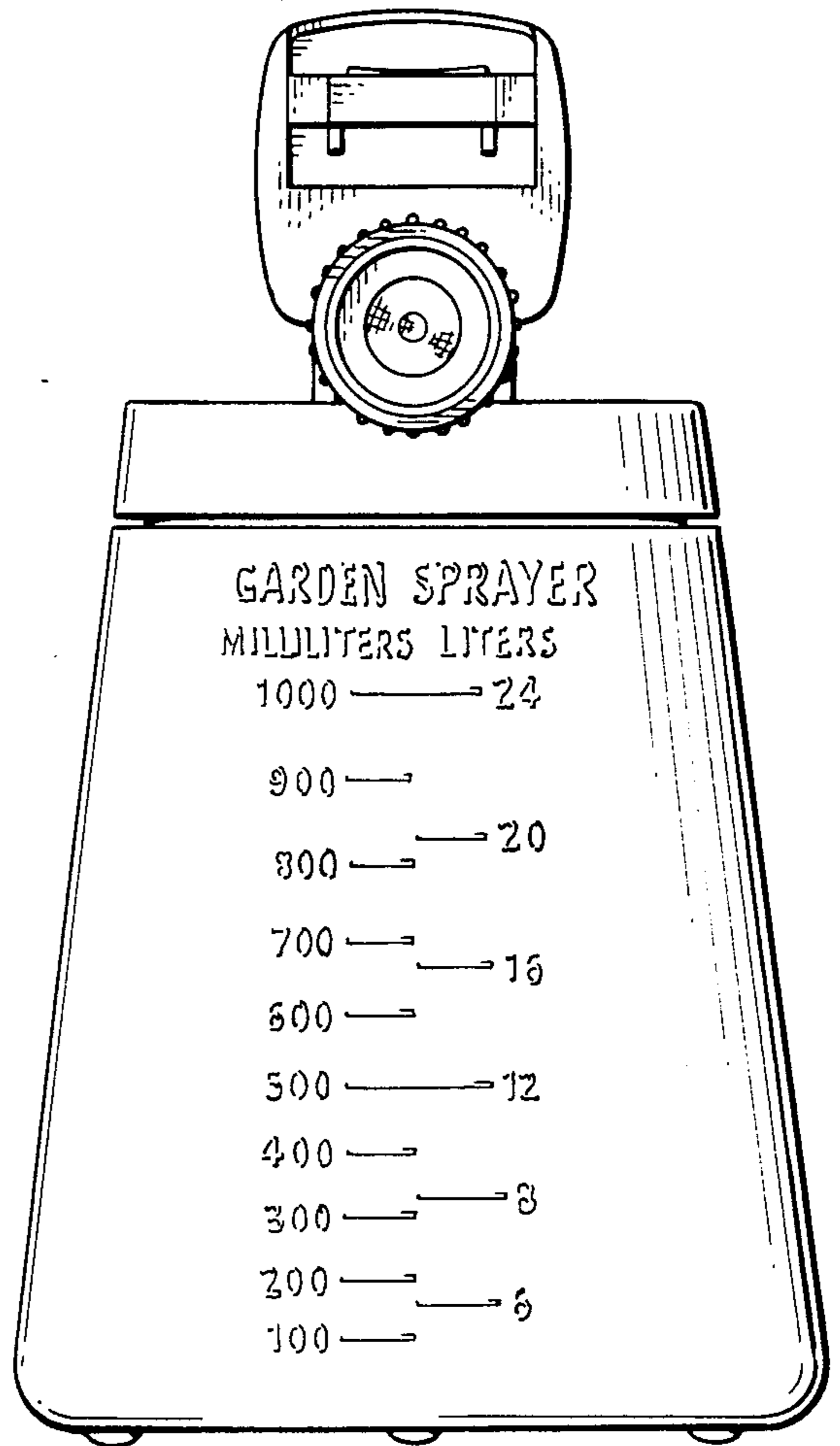


FIG. 5.

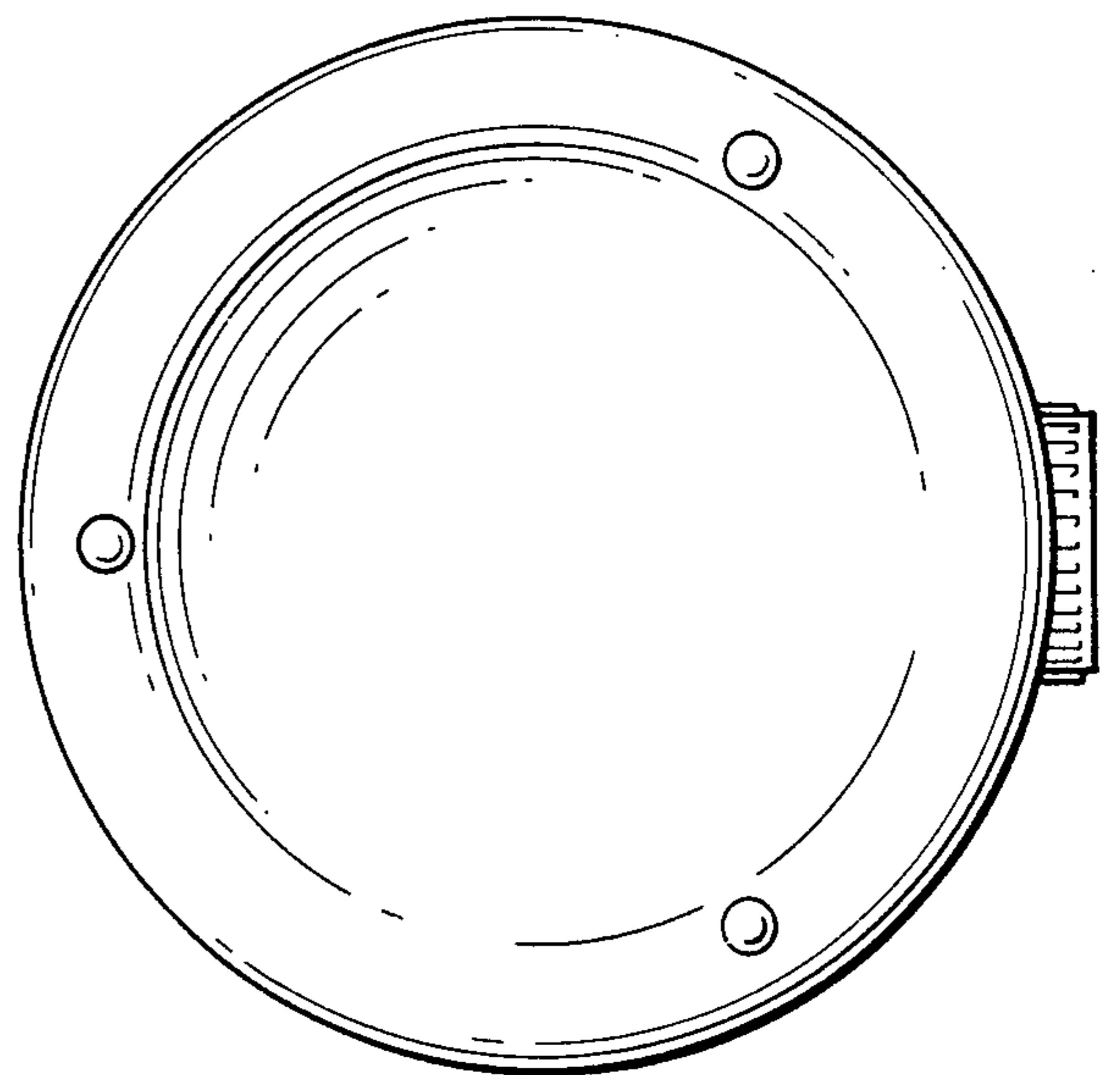


FIG. 6.