

# United States Patent [19]

[11] Patent Number: **Des. 281,895**

**McLain**

[45] Date of Patent: **\*\* Dec. 24, 1985**

[54] **MUZZLE BRAKE**

[57] **CLAIM**

[76] Inventor: **Clifford E. McLain**, 7816 Manor House Dr., Fairfax Station, Va. 22039

The ornamental design for a muzzle brake, as shown and described.

[\*\*] Term: **14 Years**

### DESCRIPTION

[21] Appl. No.: **534,357**

FIG. 1 is a front elevational view of a muzzle brake showing my new design along with the environment upon which it is used, namely a gun barrel, depicted in phantom lines;

[22] Filed: **Sep. 21, 1983**

[52] U.S. Cl. .... **D22/7**

FIG. 2 is a left side elevational view thereof;

[58] Field of Search ..... 42/1 V, 79; 89/14.05, 89/14.1, 14.2, 14.3, 194; D22/7

FIG. 3 is a right side elevational view thereof;

### [56] References Cited

#### U.S. PATENT DOCUMENTS

D. 195,627	7/1963	Ashbrook et al. ....	D22/7
3,478,417	11/1969	Shaw .....	89/14.05 X
3,672,255	6/1972	Findlay et al. ....	89/194 X
3,710,683	1/1973	Kaltmann .....	89/14.2
4,207,799	6/1980	Tocco .....	89/14.3 X
4,436,017	3/1984	Mohlin .....	89/14.3

FIG. 4 is a front elevational view of a muzzle brake showing a second embodiment of my new design along with the environment upon which it is used, namely a gun barrel and a portion of the mounting bracket depicted in phantom lines;

FIG. 5 is a left side elevational view thereof;

FIG. 6 is a front elevational view of a muzzle brake showing a third embodiment of my new design along with the environment upon which it is used, namely a gun barrel, depicted in phantom lines;

*Primary Examiner*—A. Hugo Word  
*Attorney, Agent, or Firm*—Shlesinger, Arkwright, Garvey & Fado

FIG. 7 is a front elevational view of a muzzle brake showing a fourth embodiment of my new design along with the environment upon which it is used, namely a gun barrel, depicted in phantom lines.

The right side elevational view of FIGS. 4, 6 and 7 are the same as that of FIG. 3.

The left side elevational view of FIGS. 6 and 7 are the same as that of FIGS. 2 and 5 respectively.

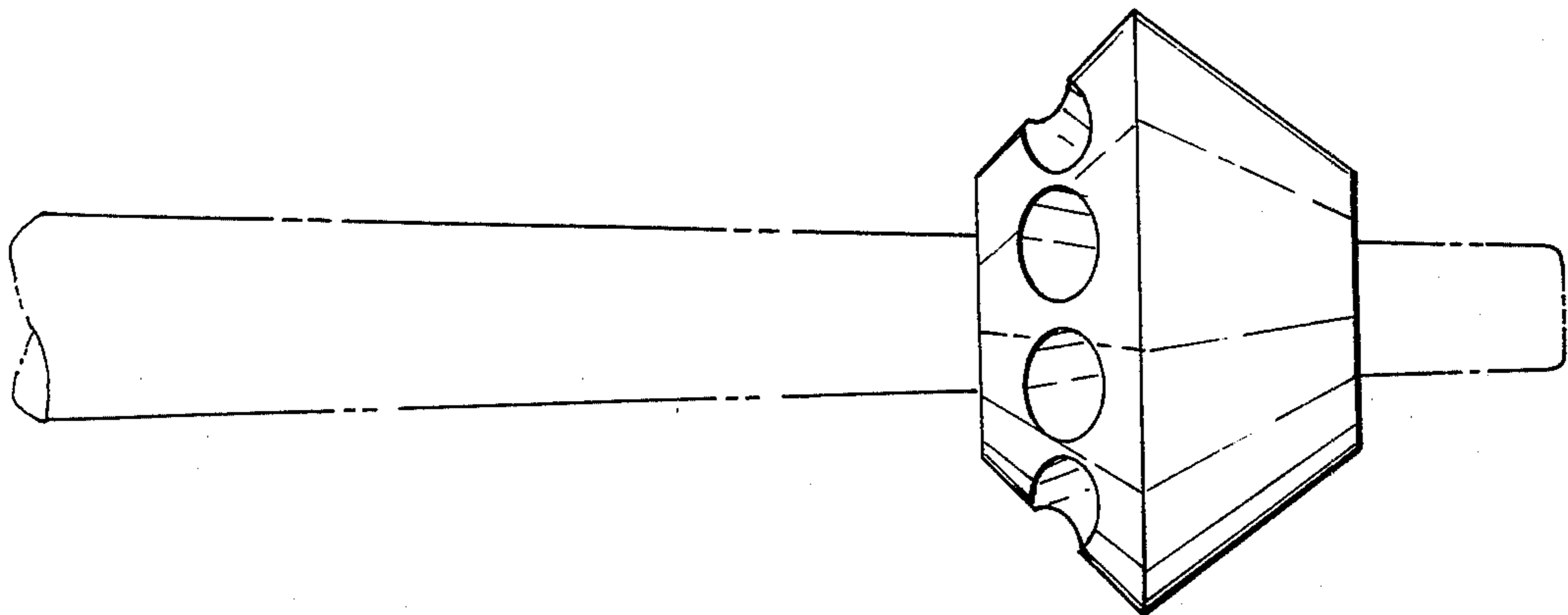


FIG 1

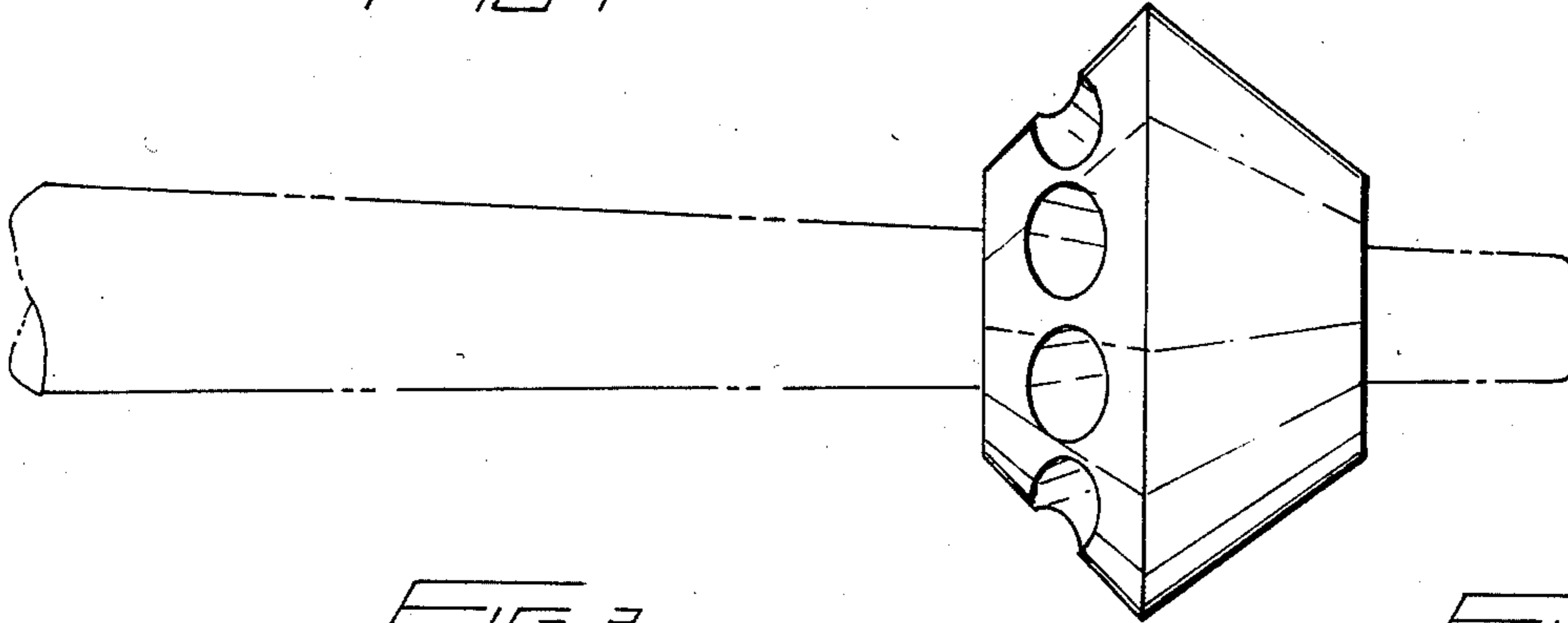


FIG 2

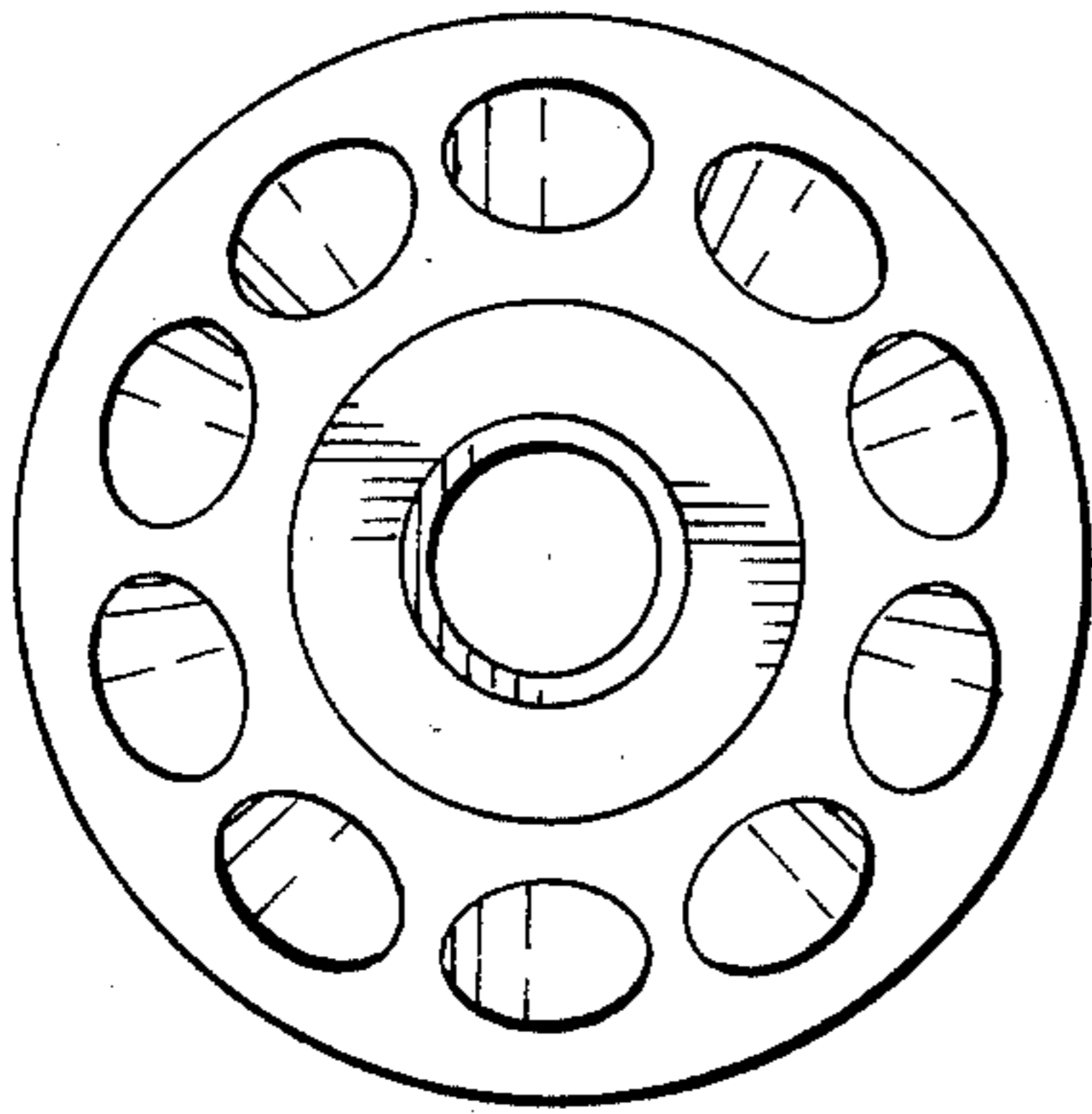


FIG 3

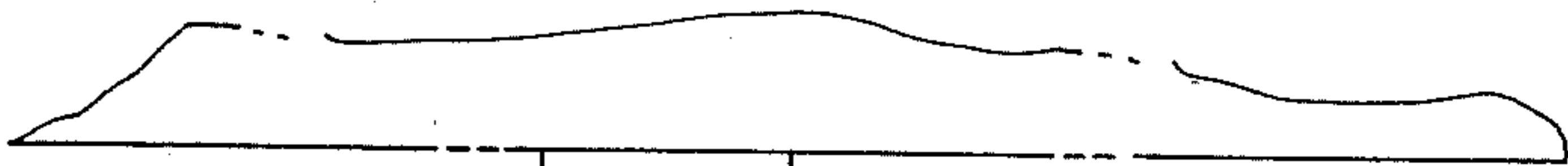
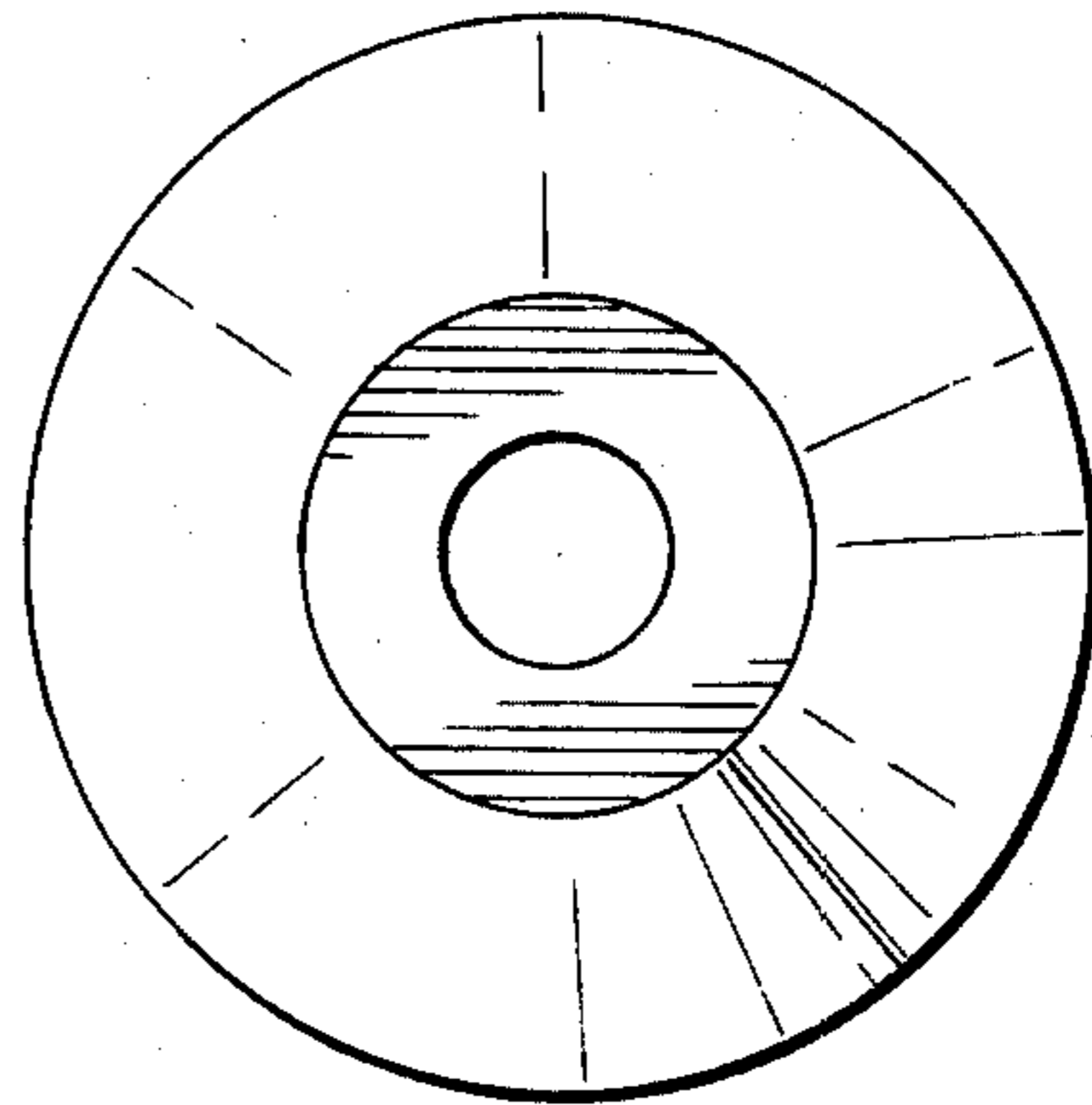


FIG 4

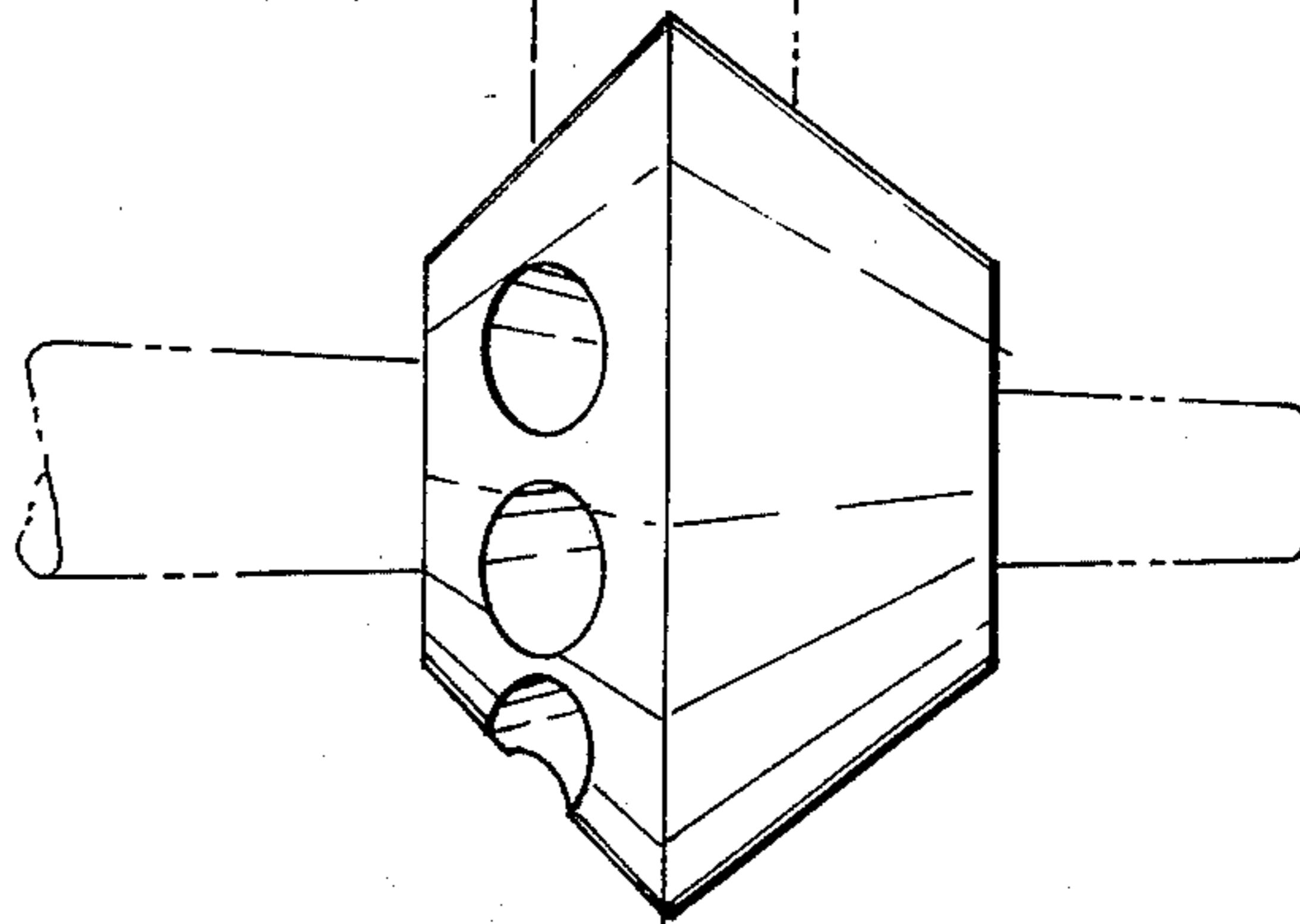
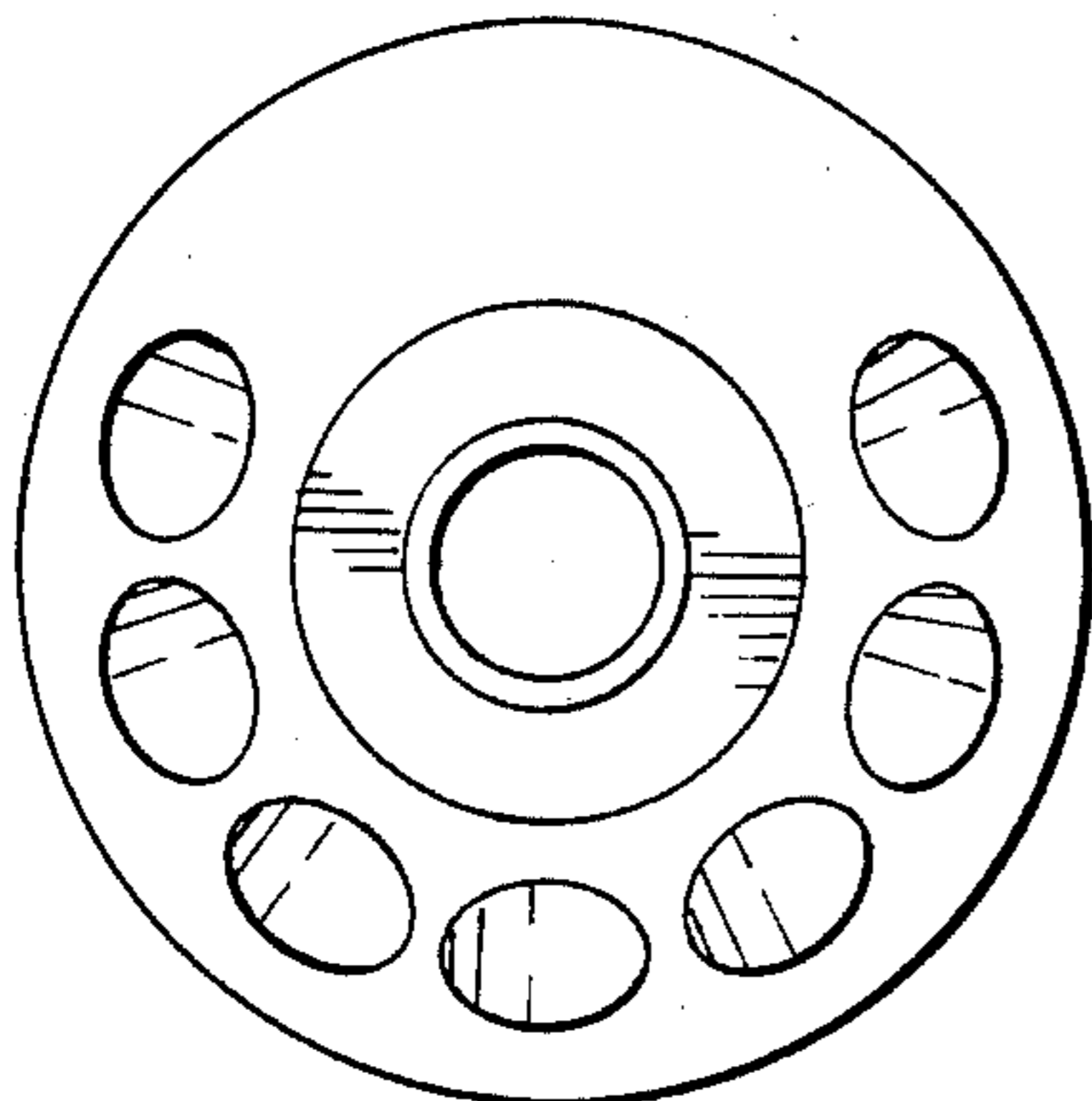


FIG 5



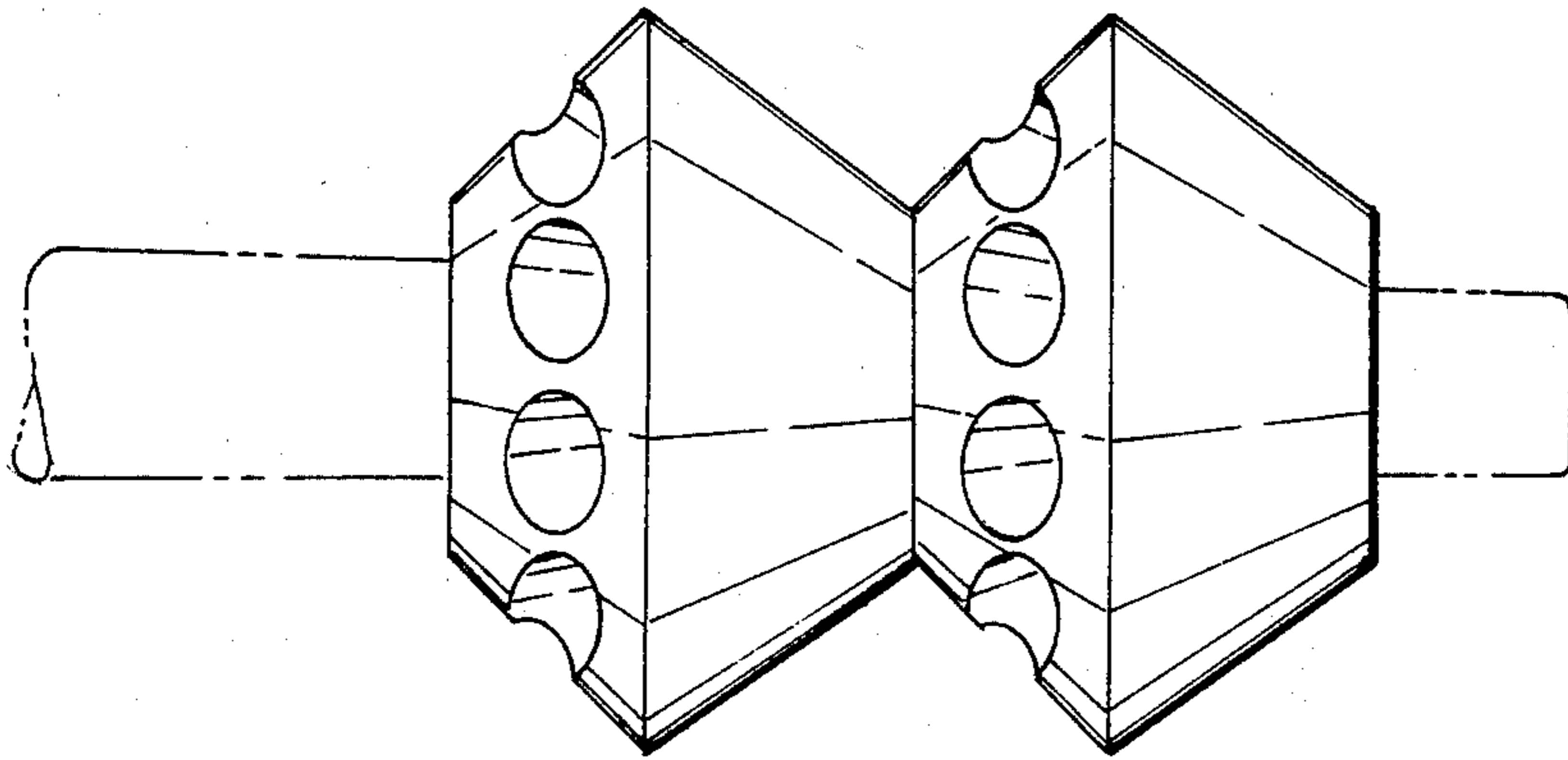


FIG 6

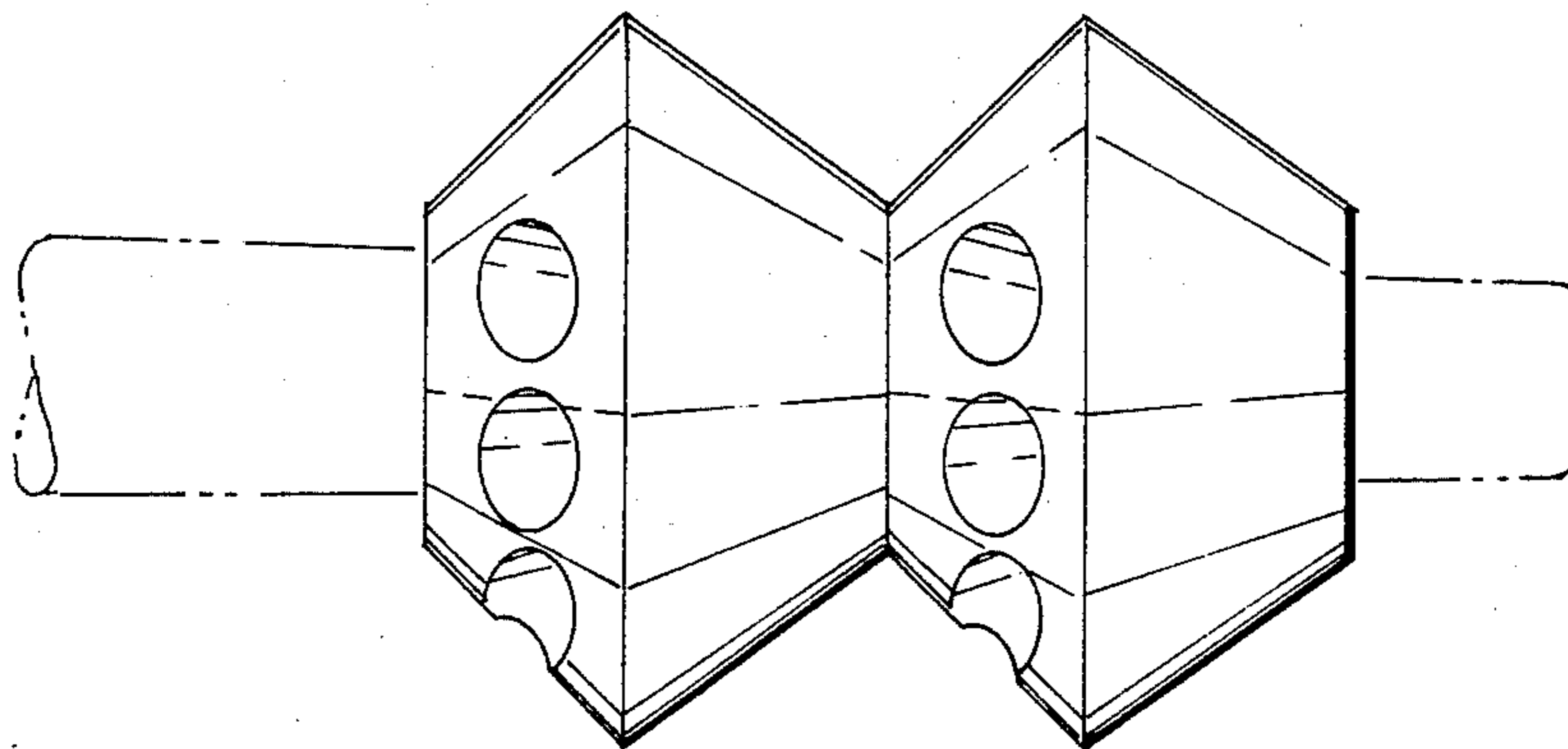


FIG 7