

[54] **PISTOL TELESCOPE MOUNT**

[76] **Inventor: Daniel L. Bechtel, P.O. Box 11281, Fort Worth, Tex. 76109**

[**] **Term: 14 Years**

[21] **Appl. No.: 521,229**

[22] **Filed: Aug. 8, 1983**

[52] **U.S. Cl. D22/7**

[58] **Field of Search D22/7, 8; 42/1.5 T; 33/245**

[56] **References Cited**

U.S. PATENT DOCUMENTS

- D. 209,049 10/1967 Holden D22/7
- D. 248,309 6/1978 Weast D22/7
- D. 257,564 11/1980 Weast D22/7

4,026,055 5/1977 Weast D22/8 X

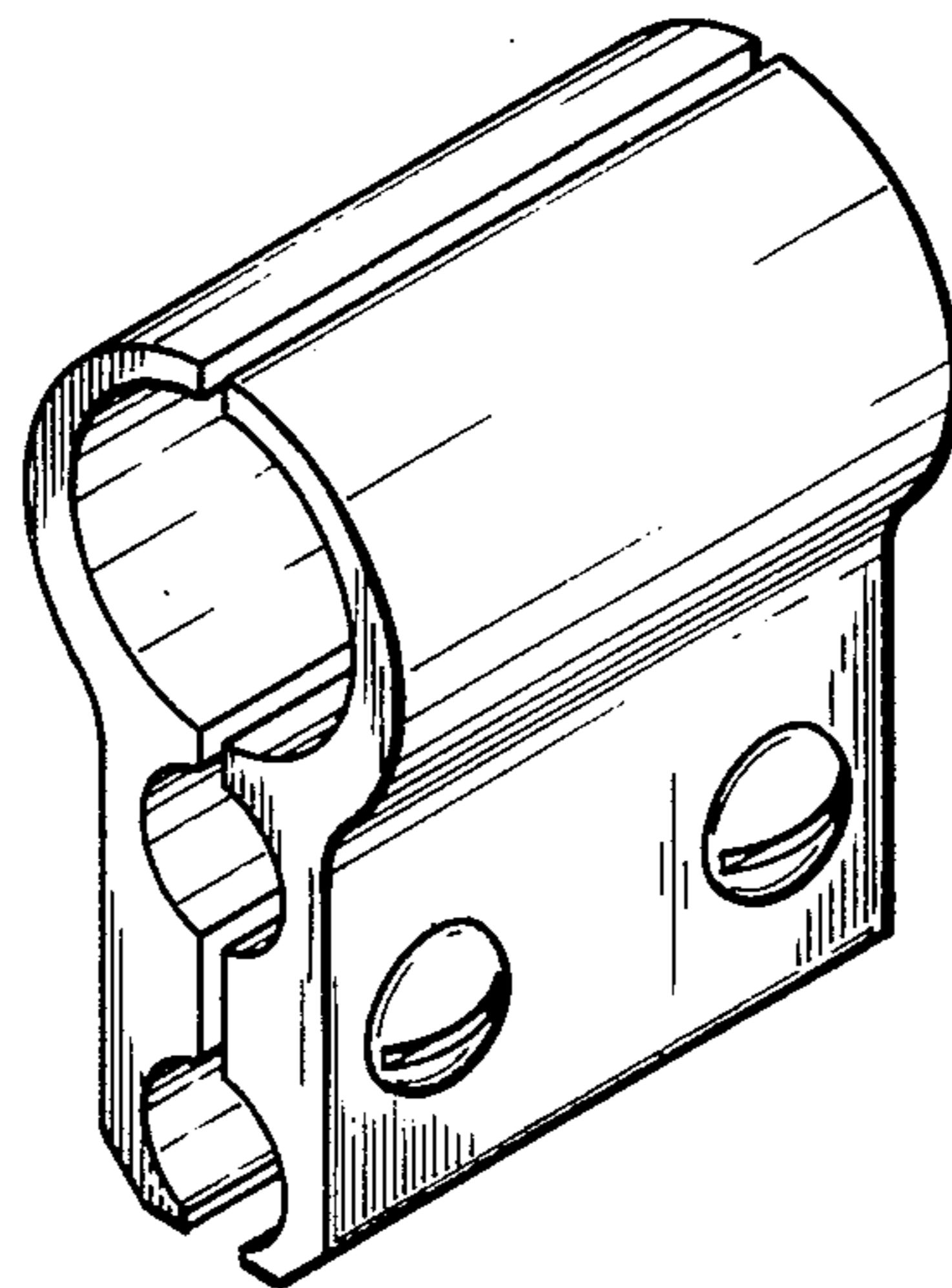
*Primary Examiner—A. Hugo Word
Attorney, Agent, or Firm—Charles W. McHugh*

[57] **CLAIM**

The ornamental design for a pistol telescope mount, as shown.

DESCRIPTION

FIG. 1 is a perspective view of a pistol telescope mount showing my new design;
 FIG. 2 is a top plan view thereof;
 FIG. 3 is a bottom plan view thereof;
 FIG. 4 is a front elevational view thereof;
 FIG. 5 is a rear elevational view thereof;
 FIG. 6 is a left elevational side view thereof; and
 FIG. 7 is a right elevational side view thereof.



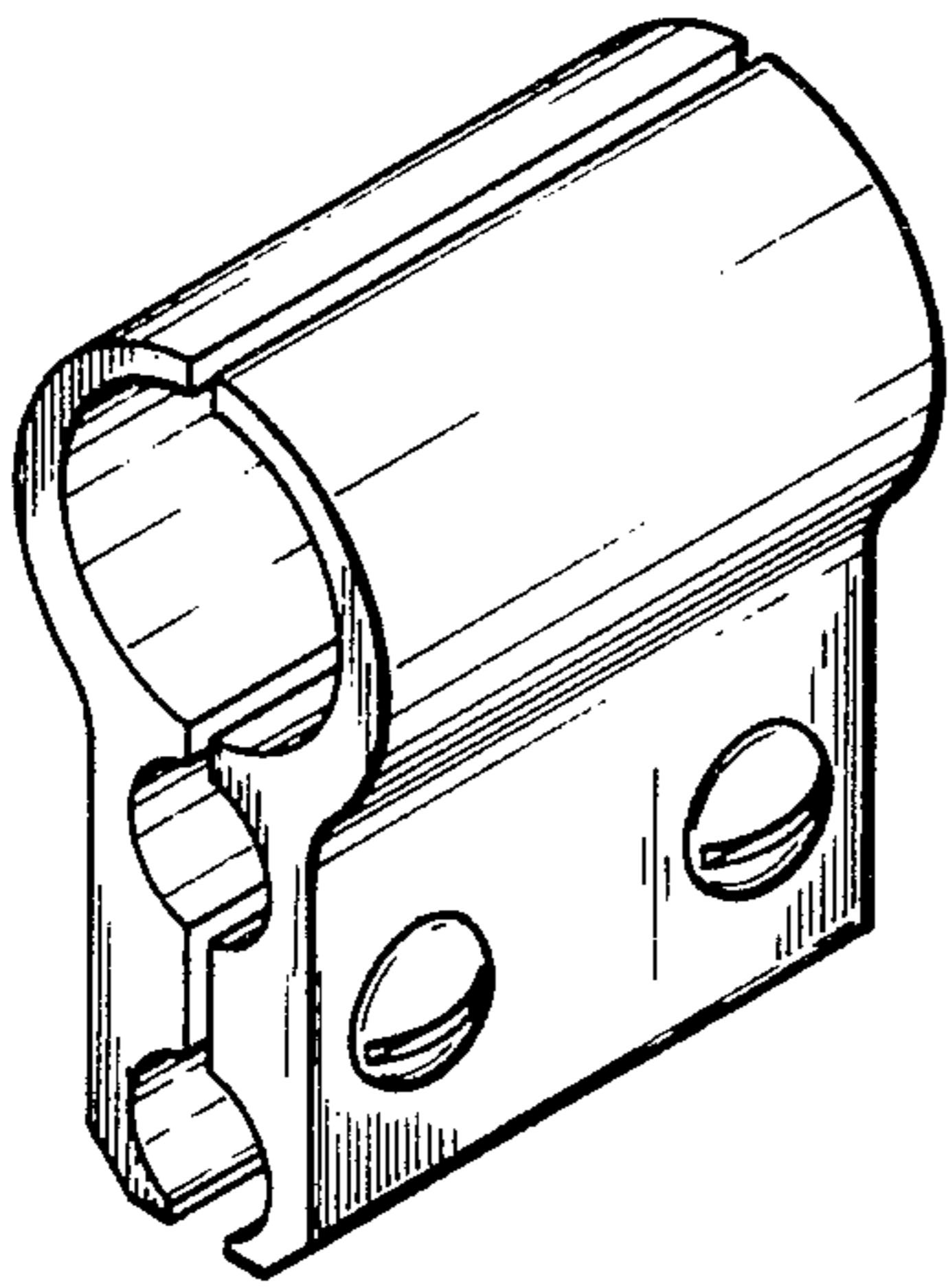


FIG. 1

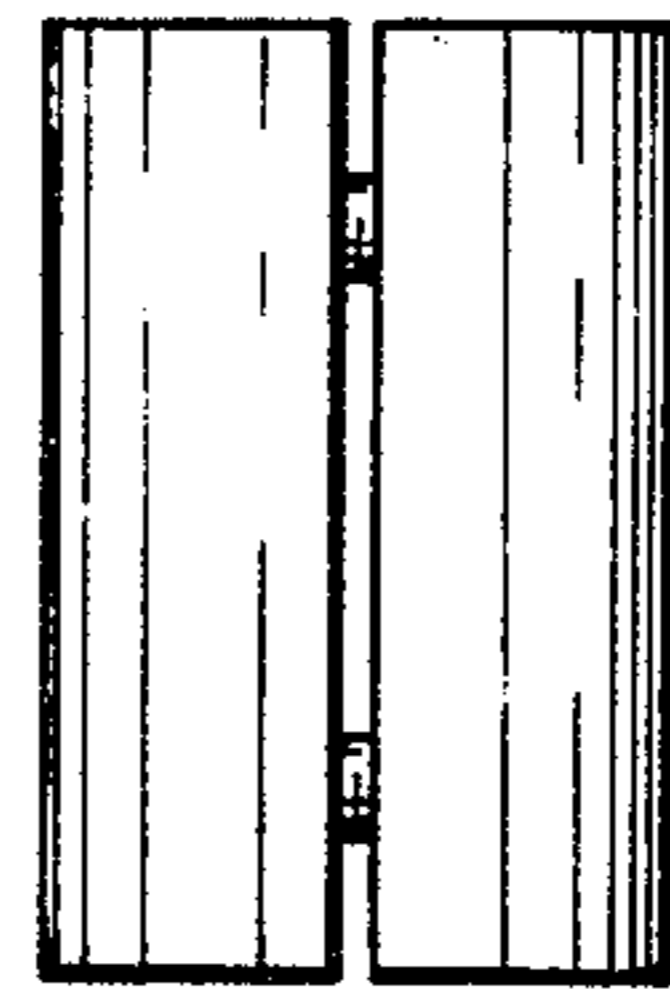


FIG. 2



FIG. 3

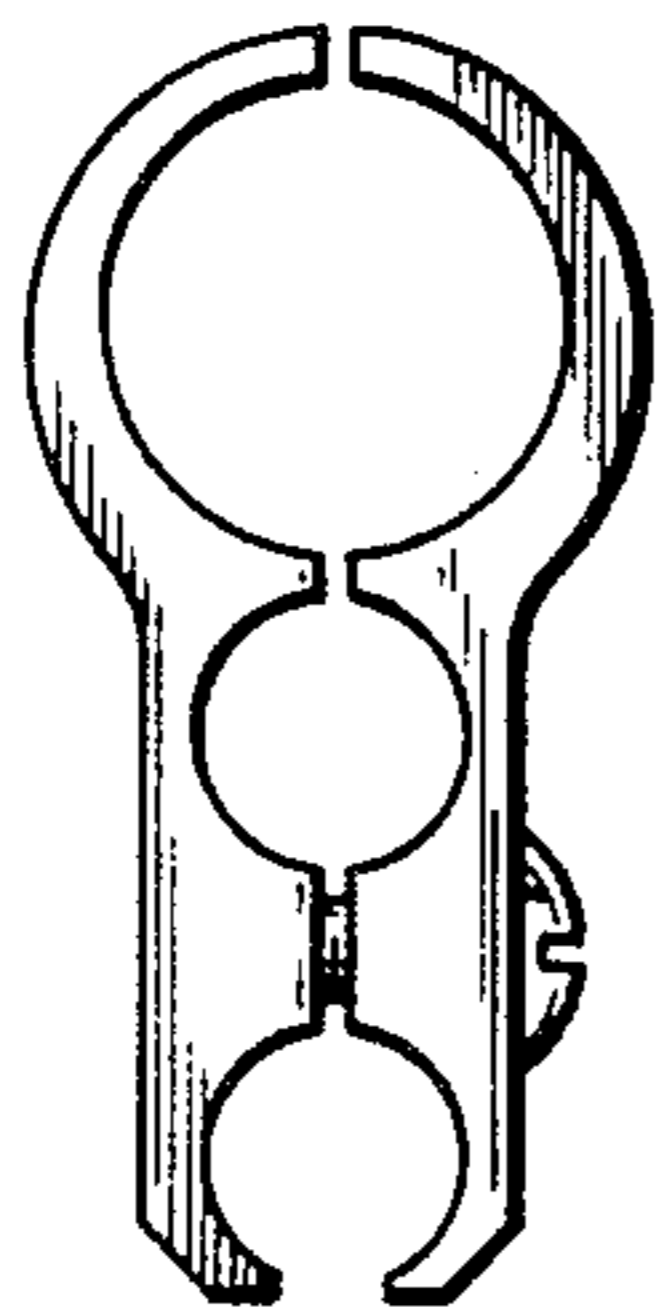


FIG. 4

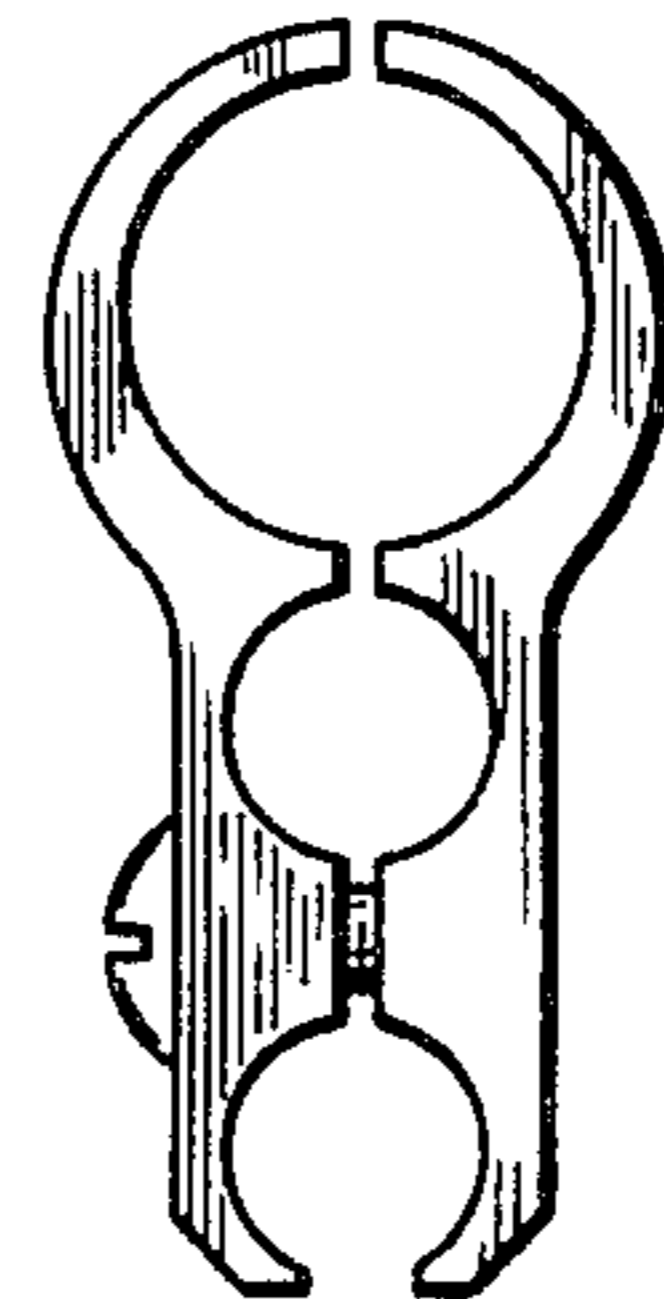


FIG. 5

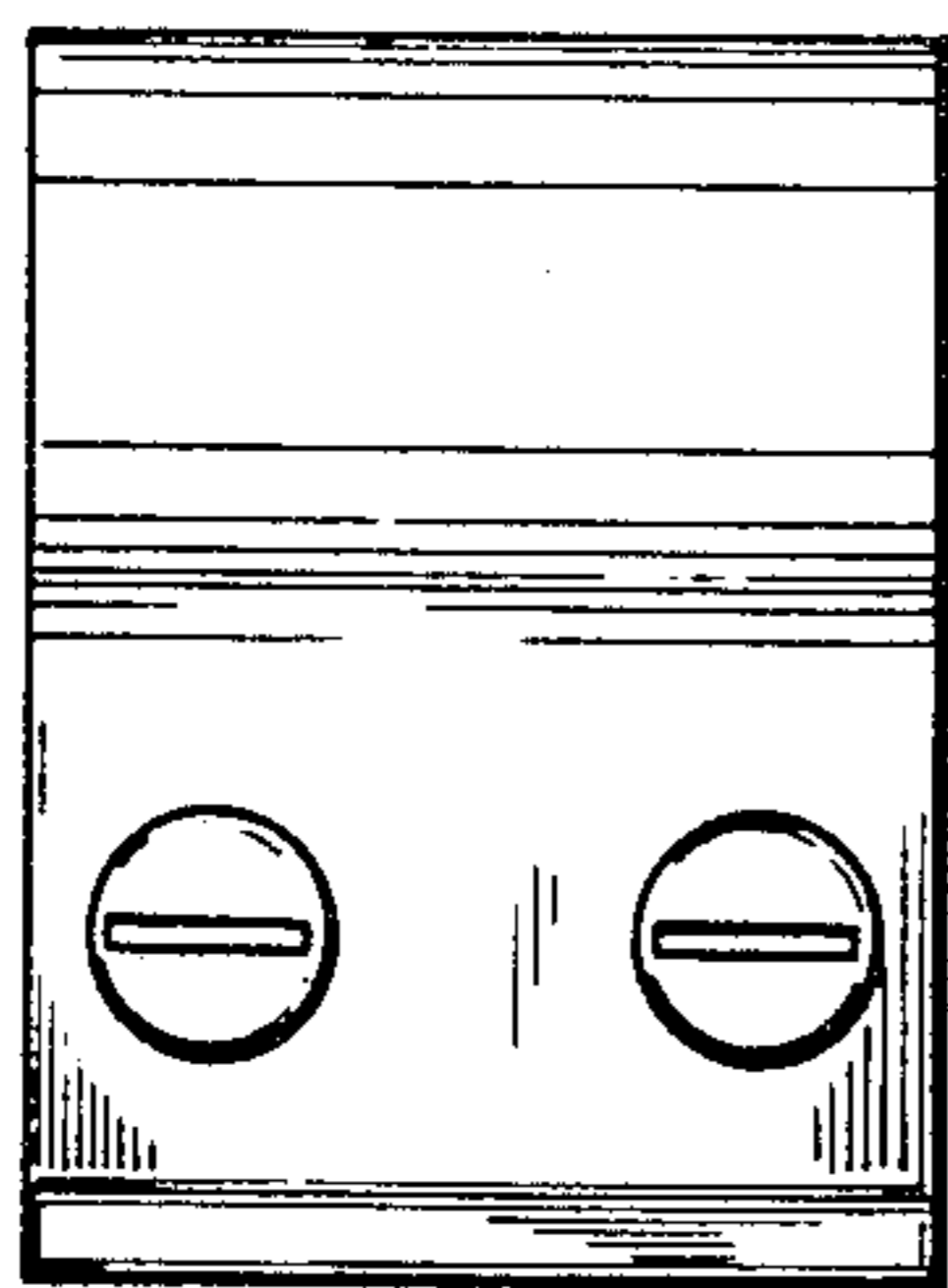


FIG. 6

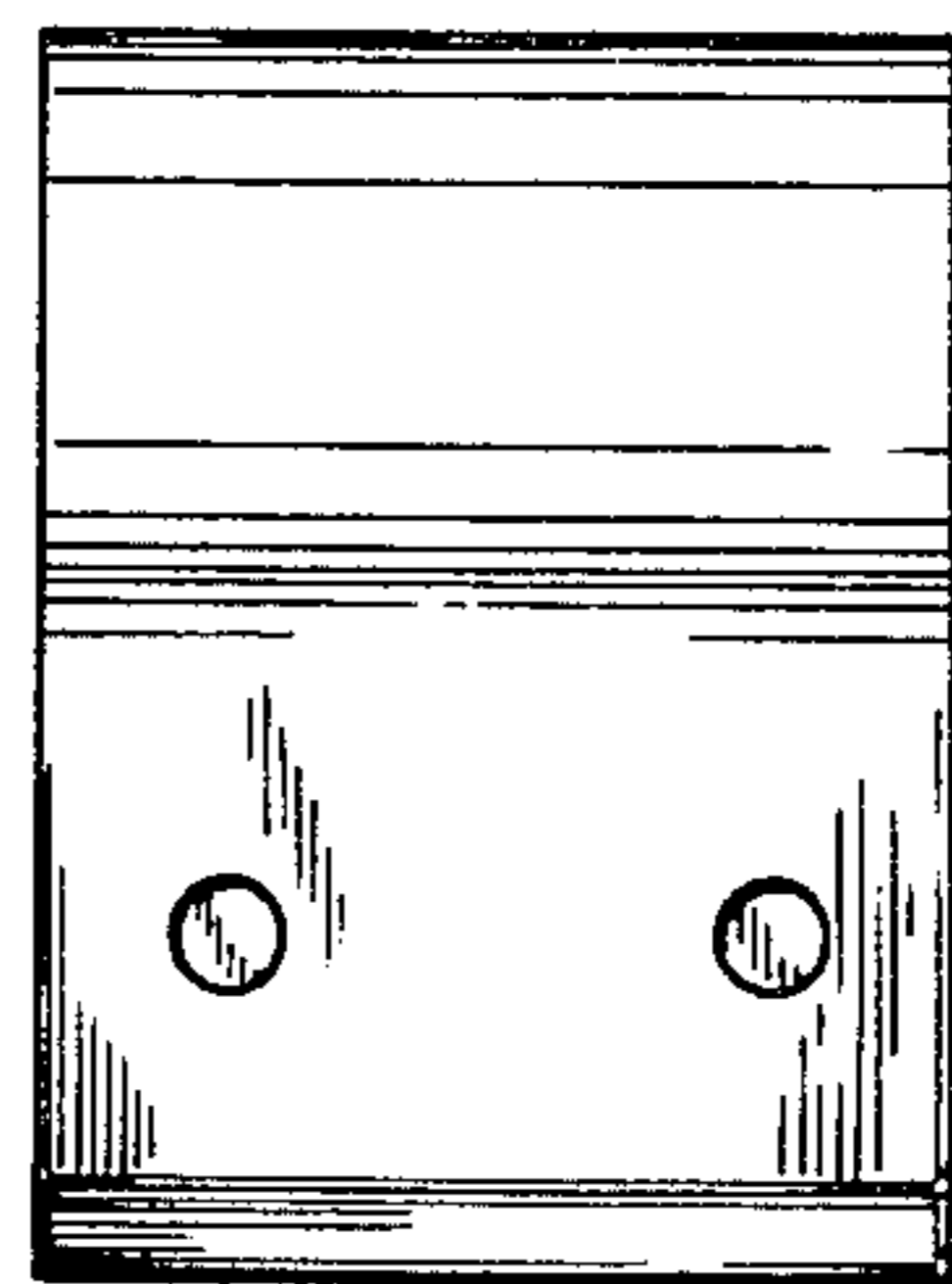


FIG. 7