

[54] TRACTOR PLAYGROUND CLIMBER

[75] Inventor: Keith A. Addleman, Hillsdale, Mich.

[73] Assignee: Quality Industries, Inc., Hillsdale, Mich.

[\*\*] Term: 14 Years

[21] Appl. No.: 544,486

[22] Filed: Oct. 24, 1983

[52] U.S. Cl. .... D21/245

[58] Field of Search ..... D21/242-245,  
D21/250; 272/113

[56] References Cited

U.S. PATENT DOCUMENTS

D. 257,875 1/1981 Rudy ..... D21/245

OTHER PUBLICATIONS

Miracle Recreation Equipment Co. Cat. 773, p. 36, top, Steam Engine Climber.

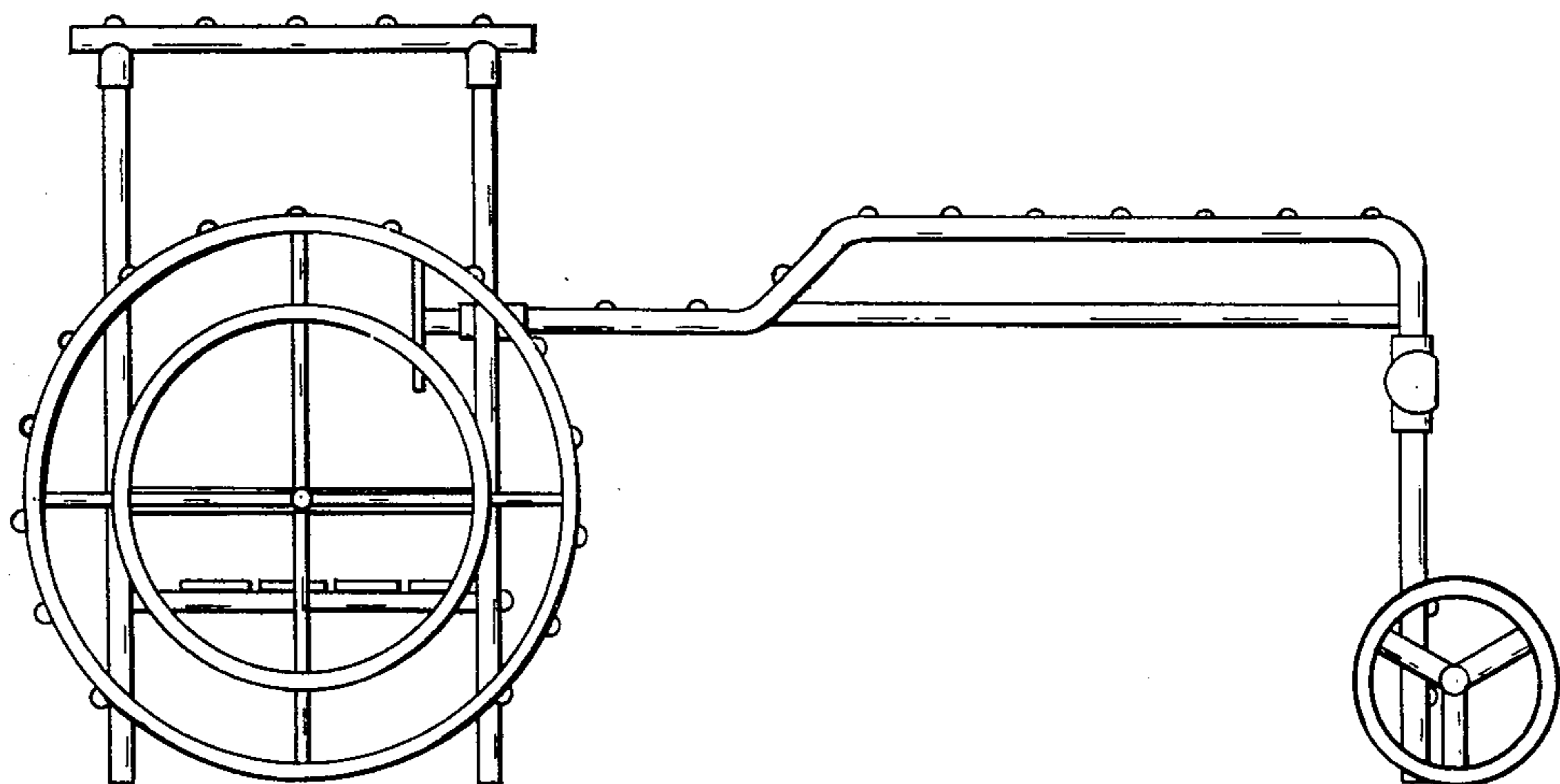
Primary Examiner—Melvin B. Feifer  
Attorney, Agent, or Firm—Beaman & Beaman

[57] CLAIM

The ornamental design for a tractor playground climber, substantially as shown and described.

DESCRIPTION

FIG. 1 is a side elevational view of the tractor playground climber in accordance with my design as viewed from the right side thereof, the left side being the mirror image thereof;  
FIG. 2 is a top plan view;  
FIG. 3 is a rear elevational view of my new design, and  
FIG. 4 is a front elevational view.



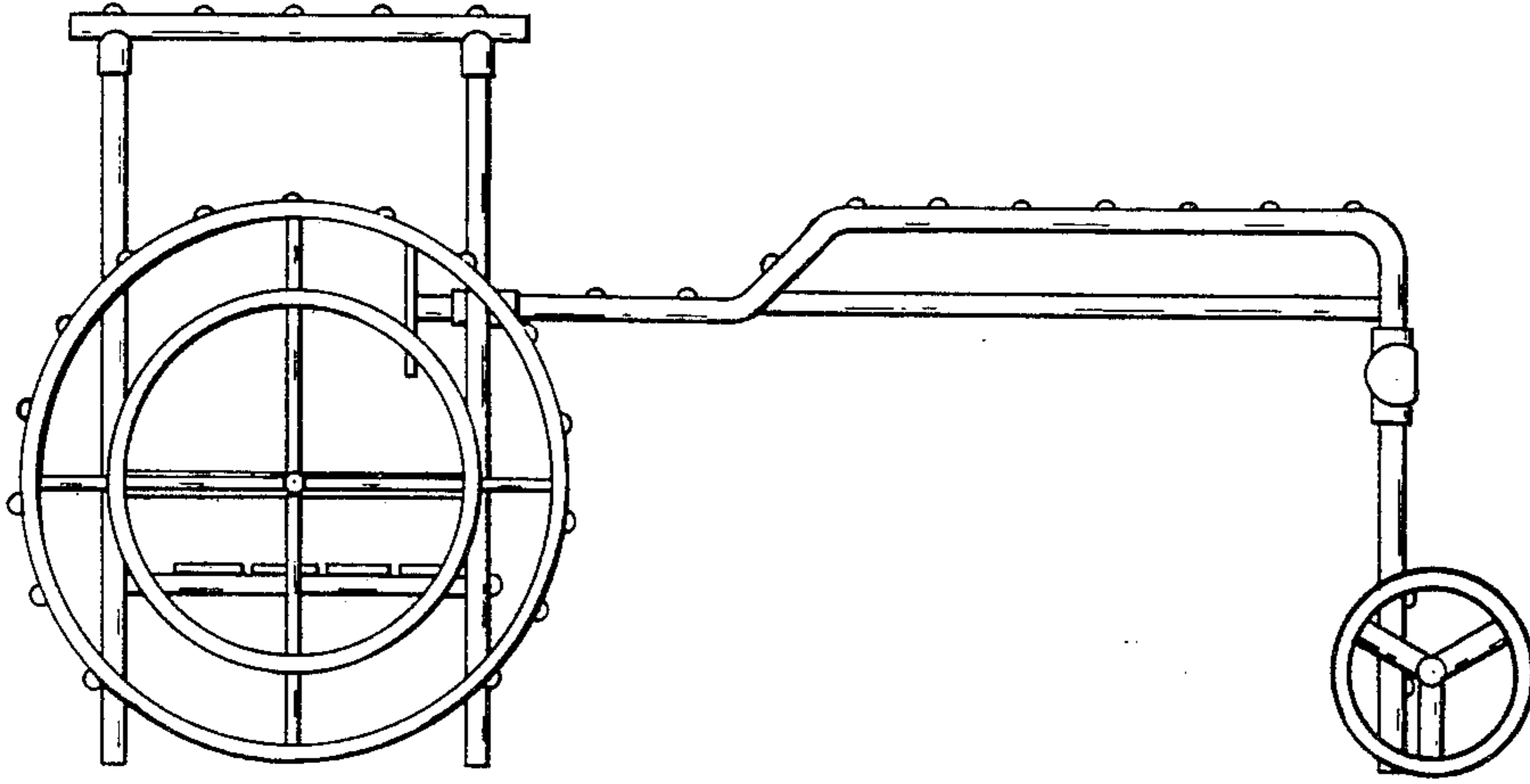


FIG. 1.

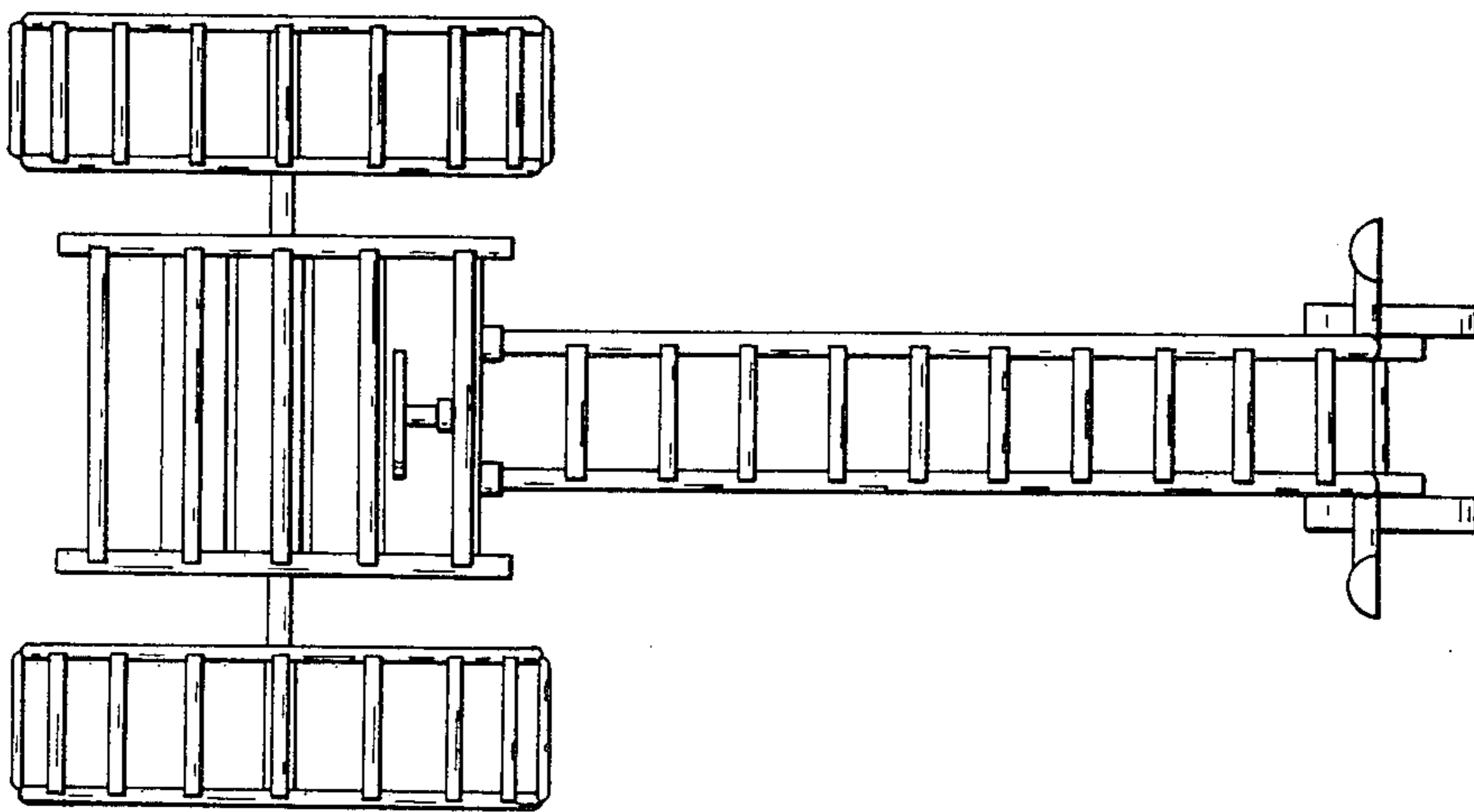


FIG. 2.

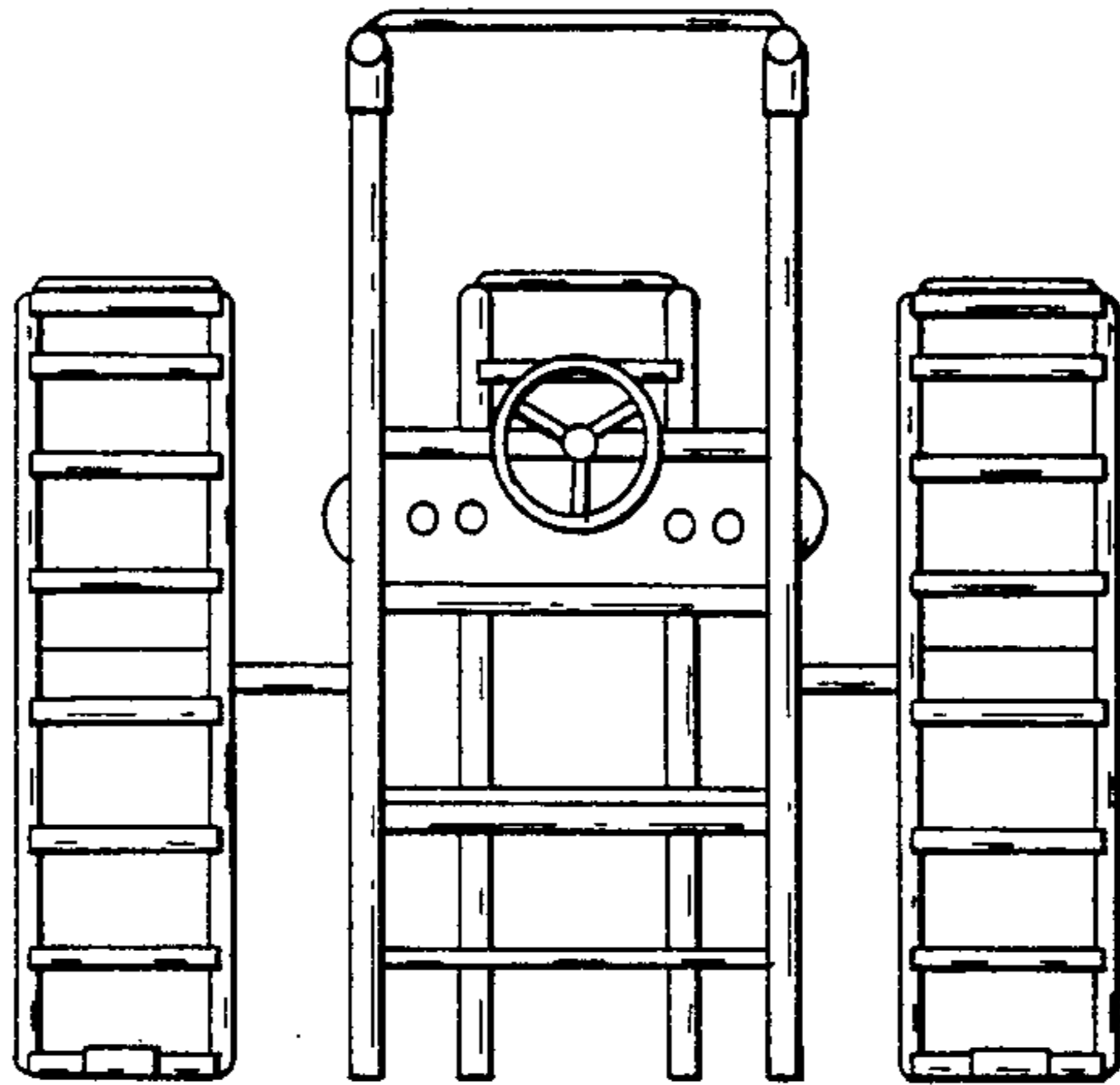


FIG. 3.

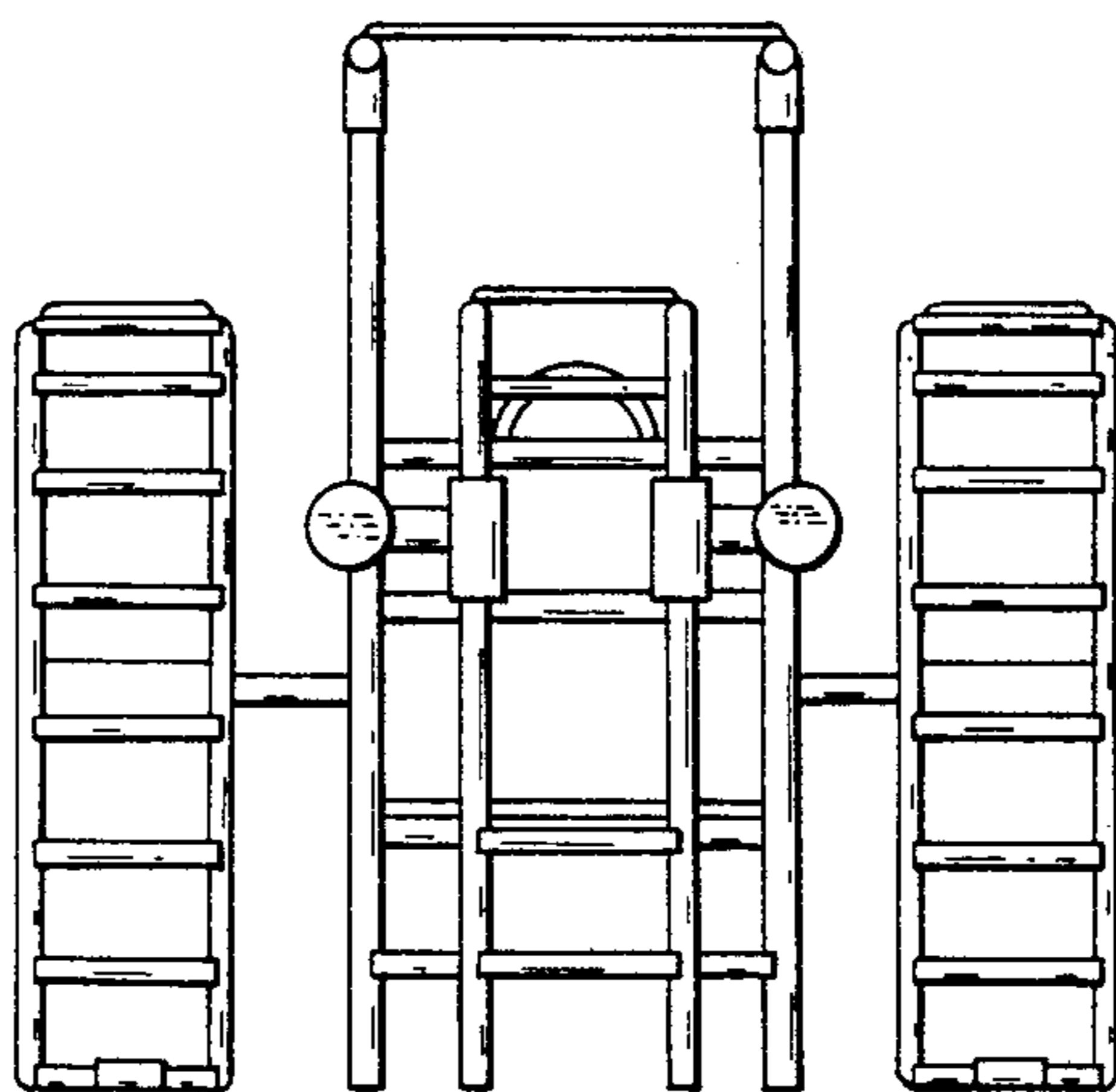


FIG. 4.