

[54] **BALL TOSSING DEVICE**

[76] **Inventor: Ronald Topp**, 4550 Kearney Villa Rd., Ste. 108, San Diego, Calif. 92123

[\*\*] **Term: 14 Years**

[21] **Appl. No.: 524,132**

[22] **Filed: Aug. 17, 1983**

[52] **U.S. Cl. .... D21/210**

[58] **Field of Search ..... D21/210, 2; 273/26 R, 273/26 D; 124/4, 6, 7, 41 R, 50, 79**

[56] **References Cited**

**U.S. PATENT DOCUMENTS**

- D. 250,361 11/1978 James ..... D21/210
- 1,262,218 4/1918 Lindenberg, Jr. .... 124/4
- 3,627,319 12/1971 Van Skyhawk ..... 124/41 R

*Primary Examiner—Melvin B. Feifer*  
*Attorney, Agent, or Firm—Charles H. Thomas*

[57] **CLAIM**

The ornamental design for a ball tossing device, substantially as shown and described.

**DESCRIPTION**

FIG. 1 is a front perspective view of a ball tossing device showing my new design;

FIG. 2 is a top plan view of my ball tossing device.

FIG. 3 is a right side elevational view of my ball tossing device.

FIG. 4 is a bottom plan view of my ball tossing device.

FIG. 5 is a front elevational view of my ball tossing device.

FIG. 6 is a rear elevational view of my ball tossing device.

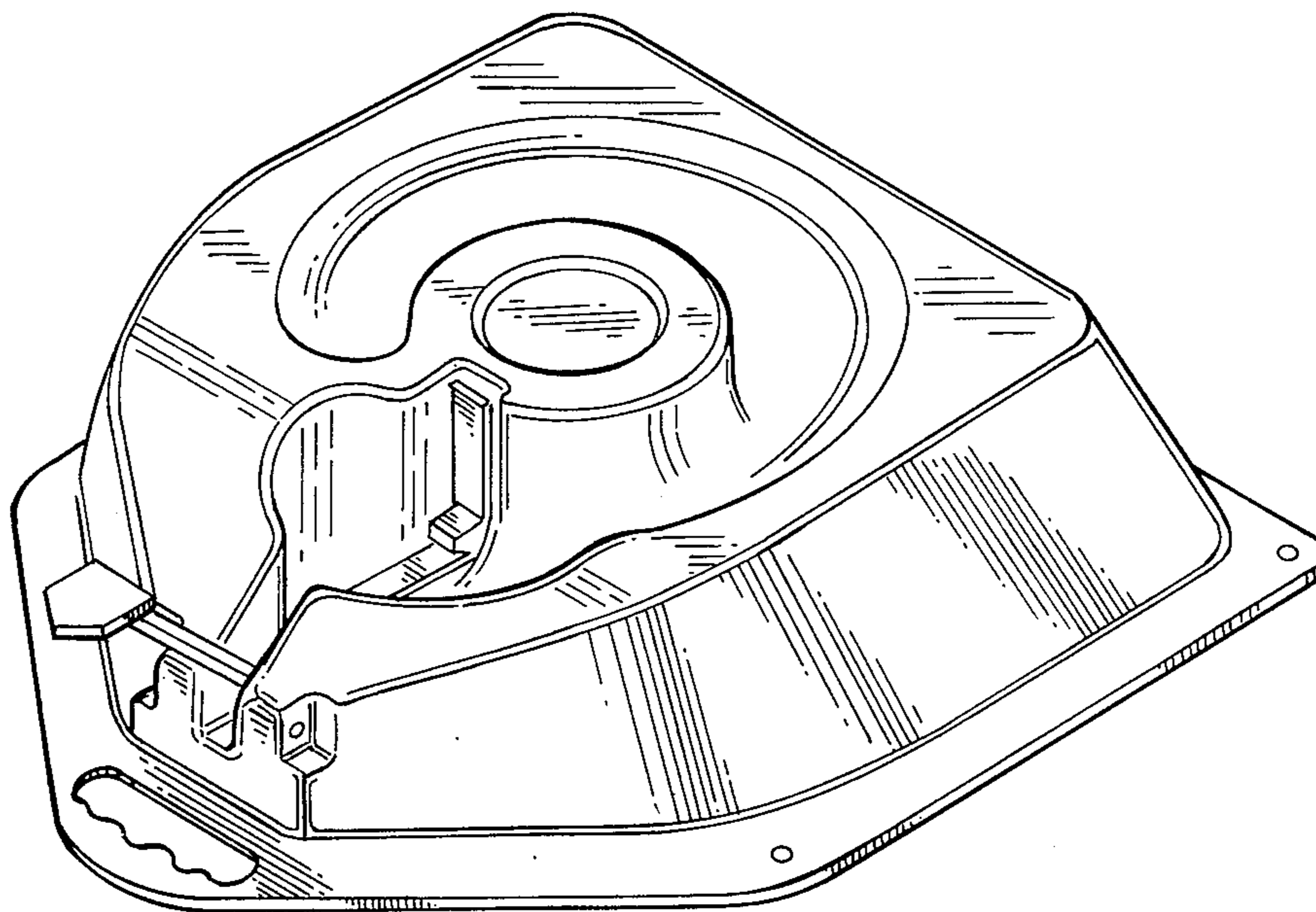


FIG. 1

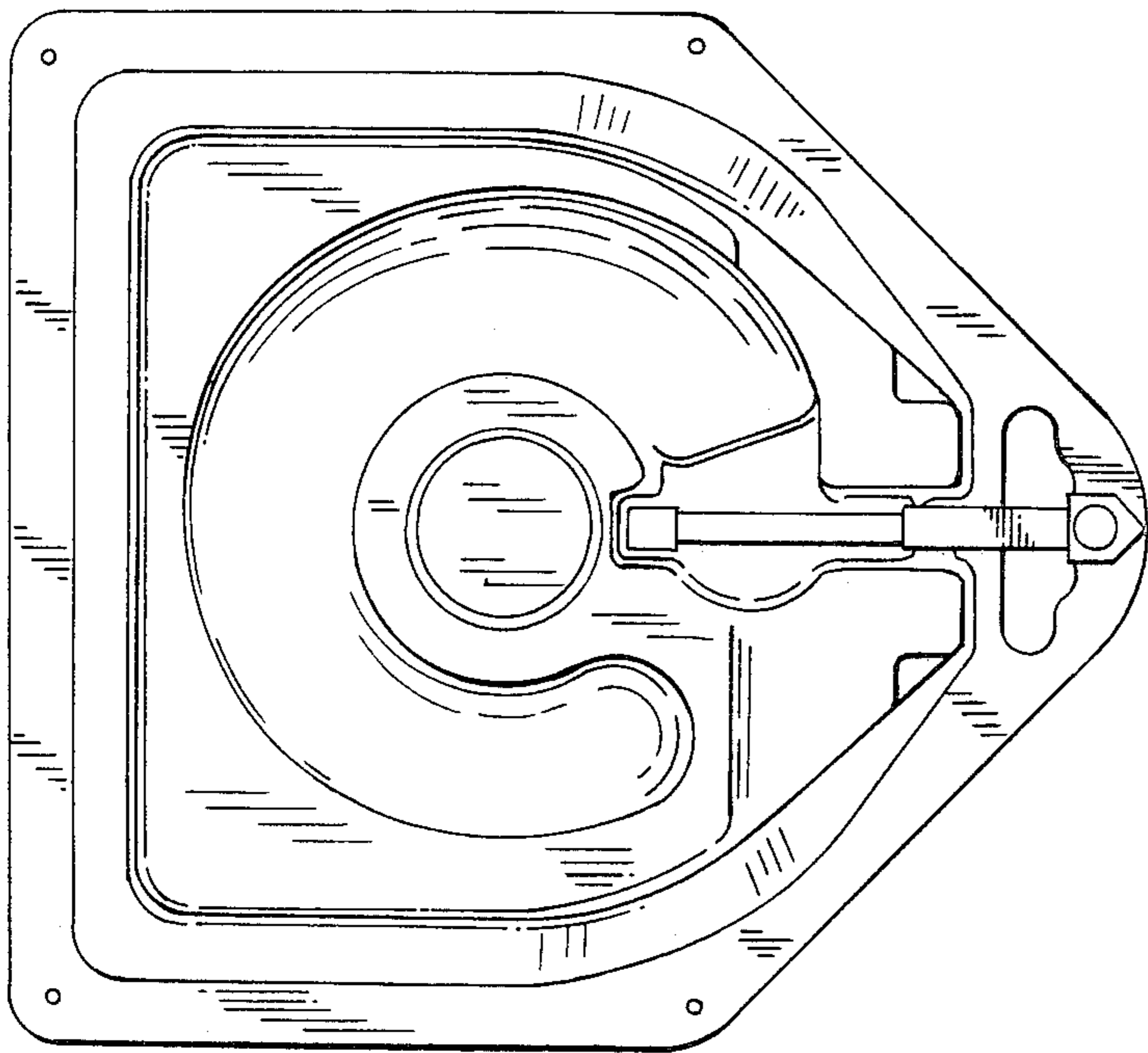
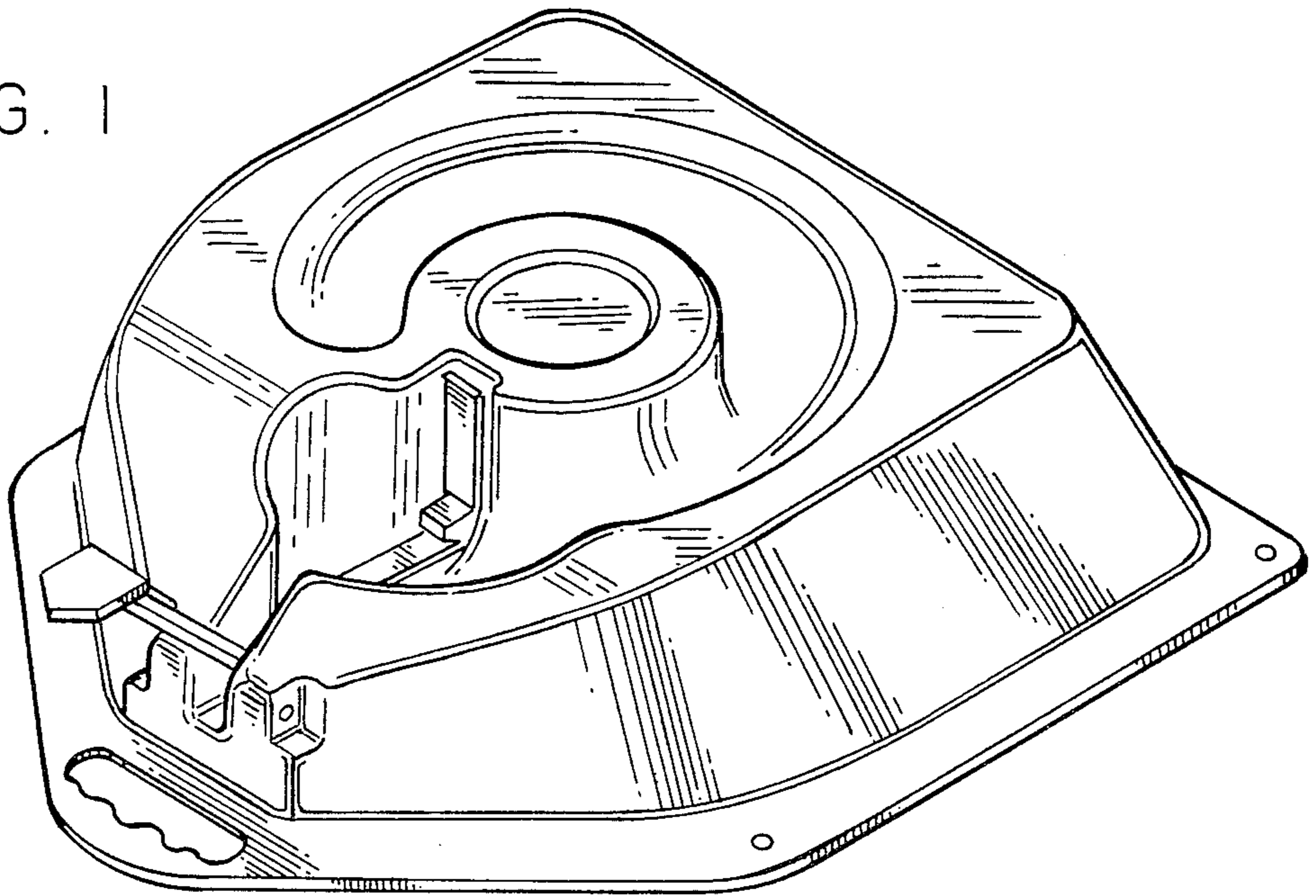


FIG. 2

FIG. 3

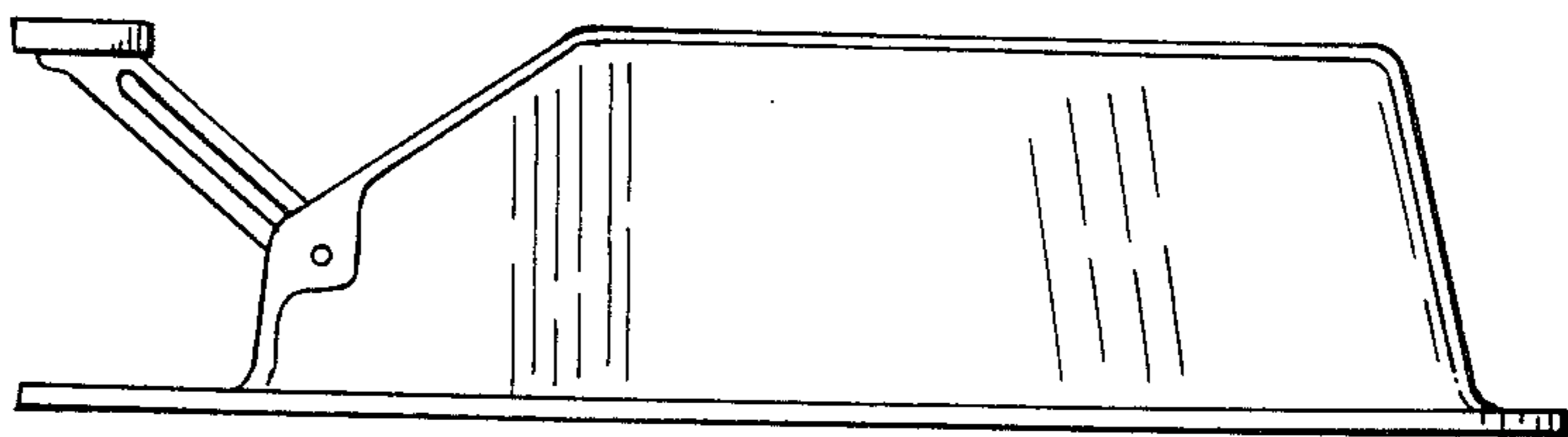


FIG. 4

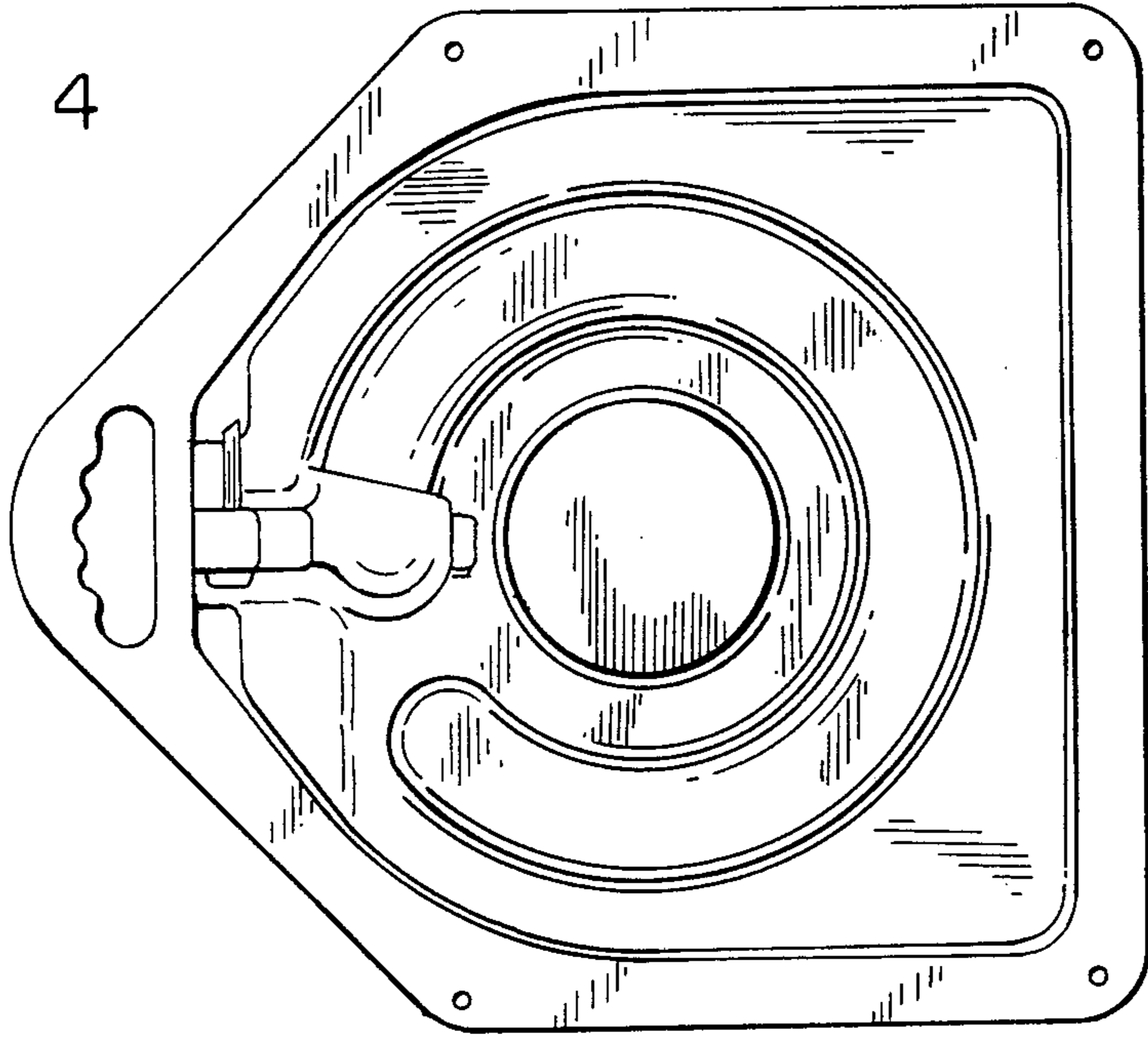


FIG. 5

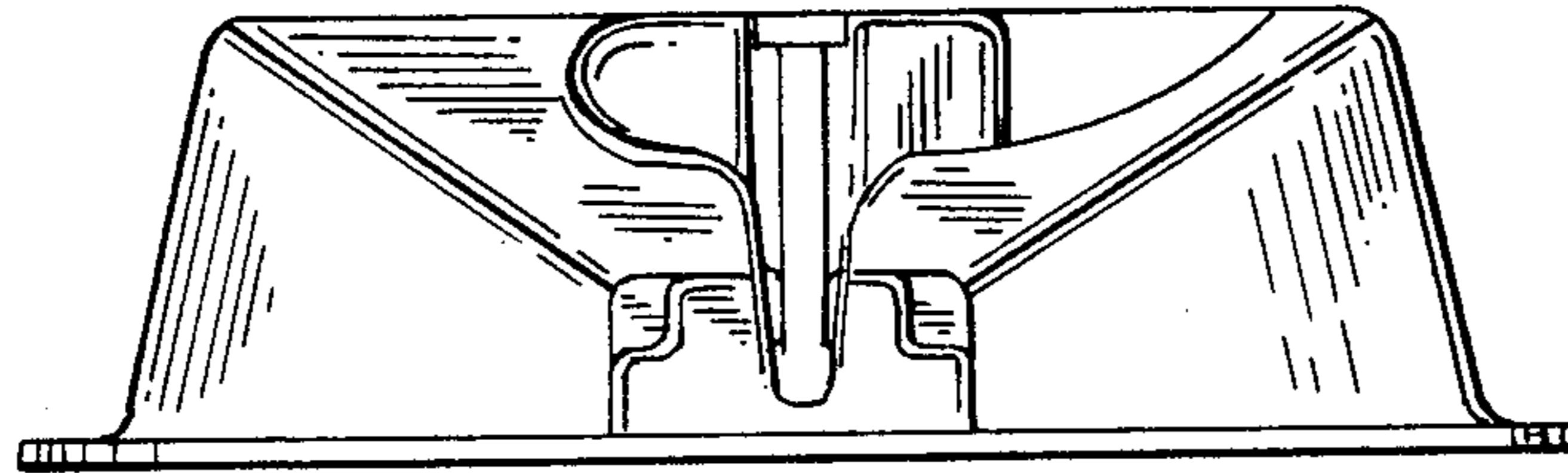


FIG. 6

