

[54] **GAME HOUSING**

[75] **Inventors: Sozen Uozumi; Minoru Sugiyama,**
both of Tokyo, Japan

[73] **Assignee: Tomy Kogyo Company, Incorporated,**
Japan

[**] **Term: 14 Years**

[21] **Appl. No.: 464,107**

[22] **Filed: Feb. 4, 1983**

[52] **U.S. Cl. D21/13; D21/60**

[58] **Field of Search D21/13, 48, 1, 60;**
D16/133; 40/367, 366, 362; 273/DIG. 28, 1 E,
248 B, 85 G

[56] **References Cited**

U.S. PATENT DOCUMENTS

D. 271,885 12/1983 Giugiaro D16/133

Primary Examiner—Melvin B. Feifer
Attorney, Agent, or Firm—K. H. Boswell

[57] **CLAIM**

The ornamental design for a game housing, substantially as shown and described.

DESCRIPTION

FIG. 1 is a top plan view of my new design for a game housing;

FIG. 2 is a bottom plan view of the housing;

FIG. 3 is a rear end elevational view;

FIG. 4 is a front end elevational view;

FIG. 5 is a side elevational view of the left hand side of the game housing;

FIG. 6 is a side elevational view of the right hand side of the game housing; and

FIG. 7 is an isometric view of the game housing.

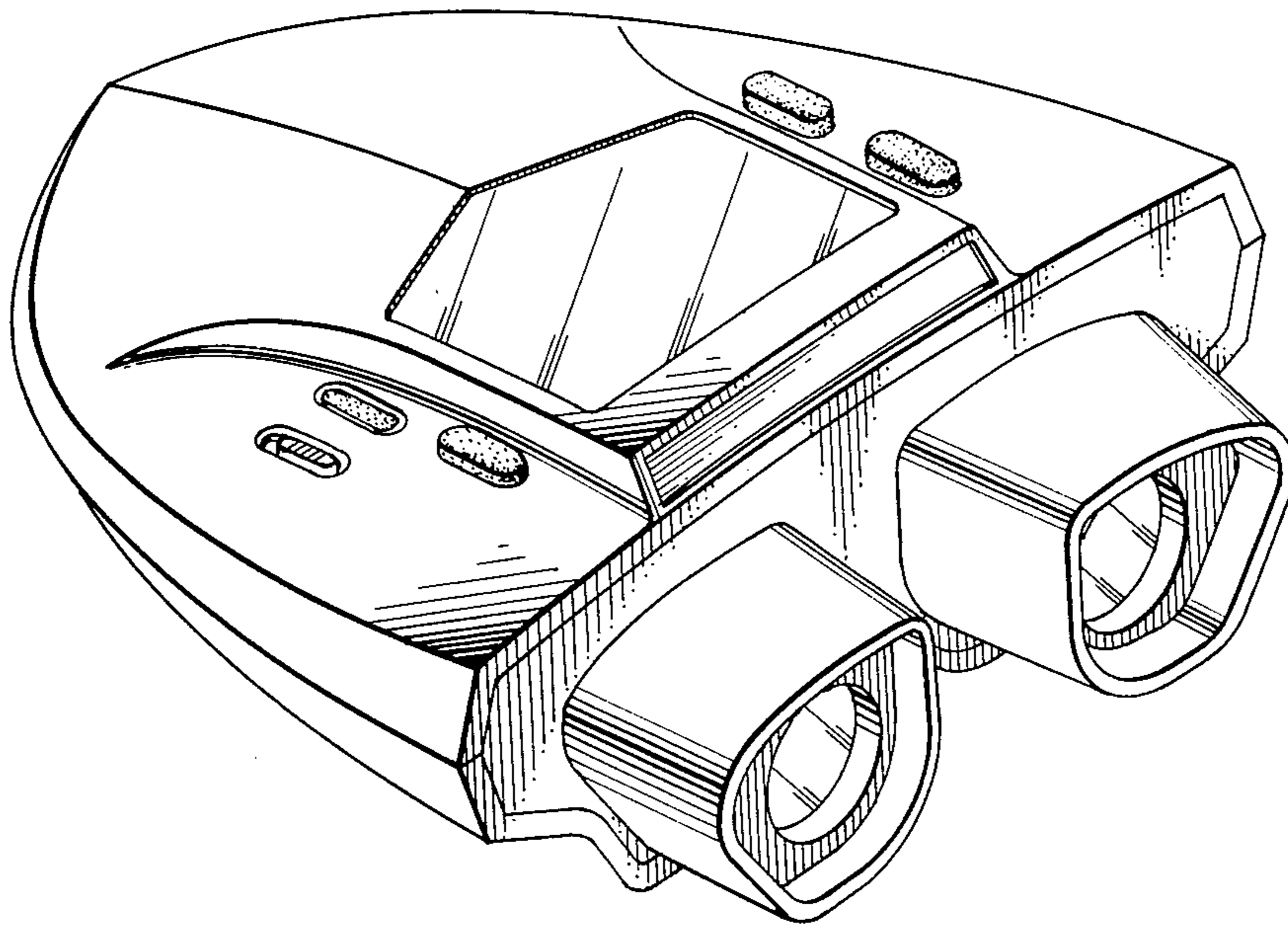


FIG. 1.

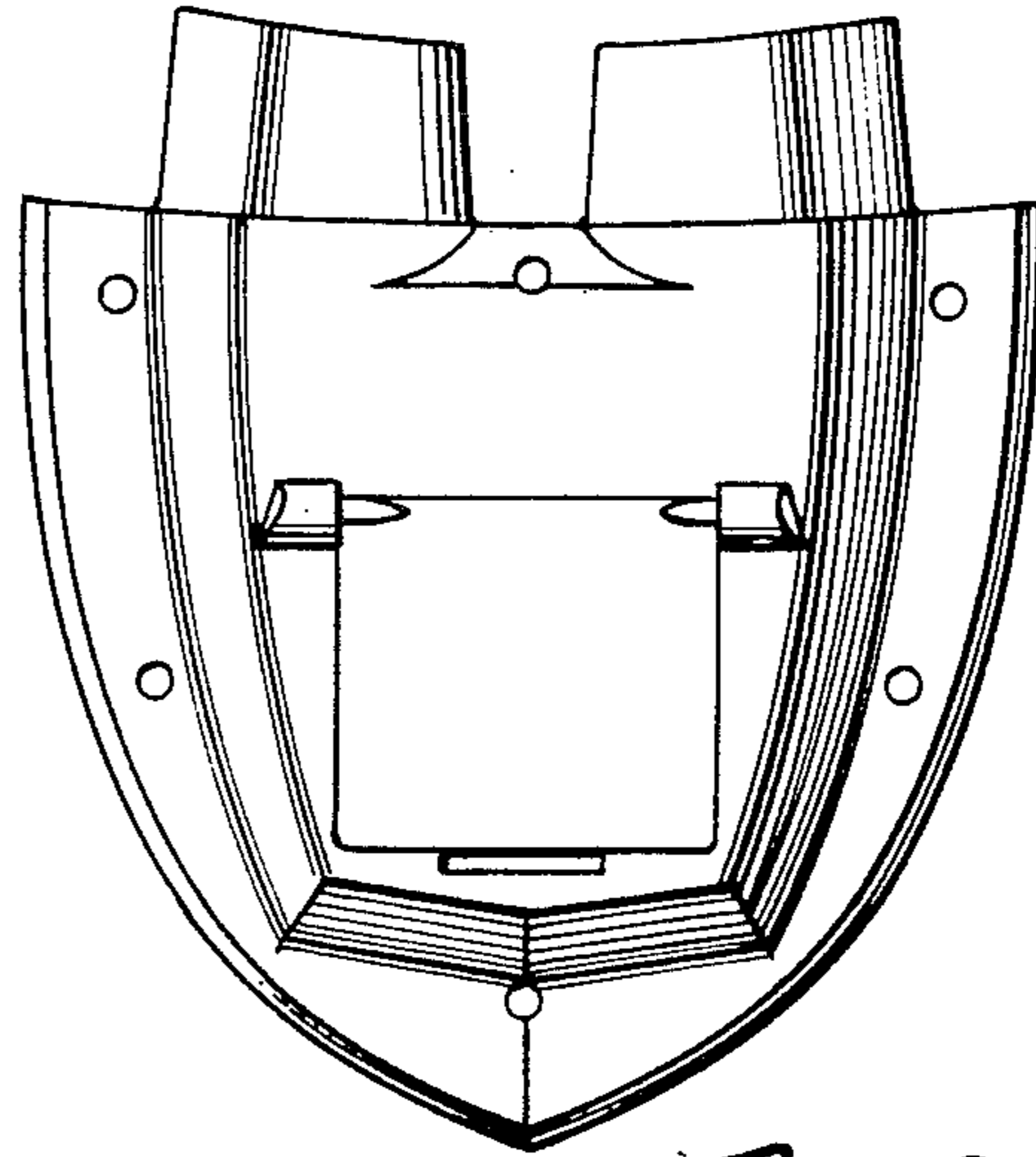
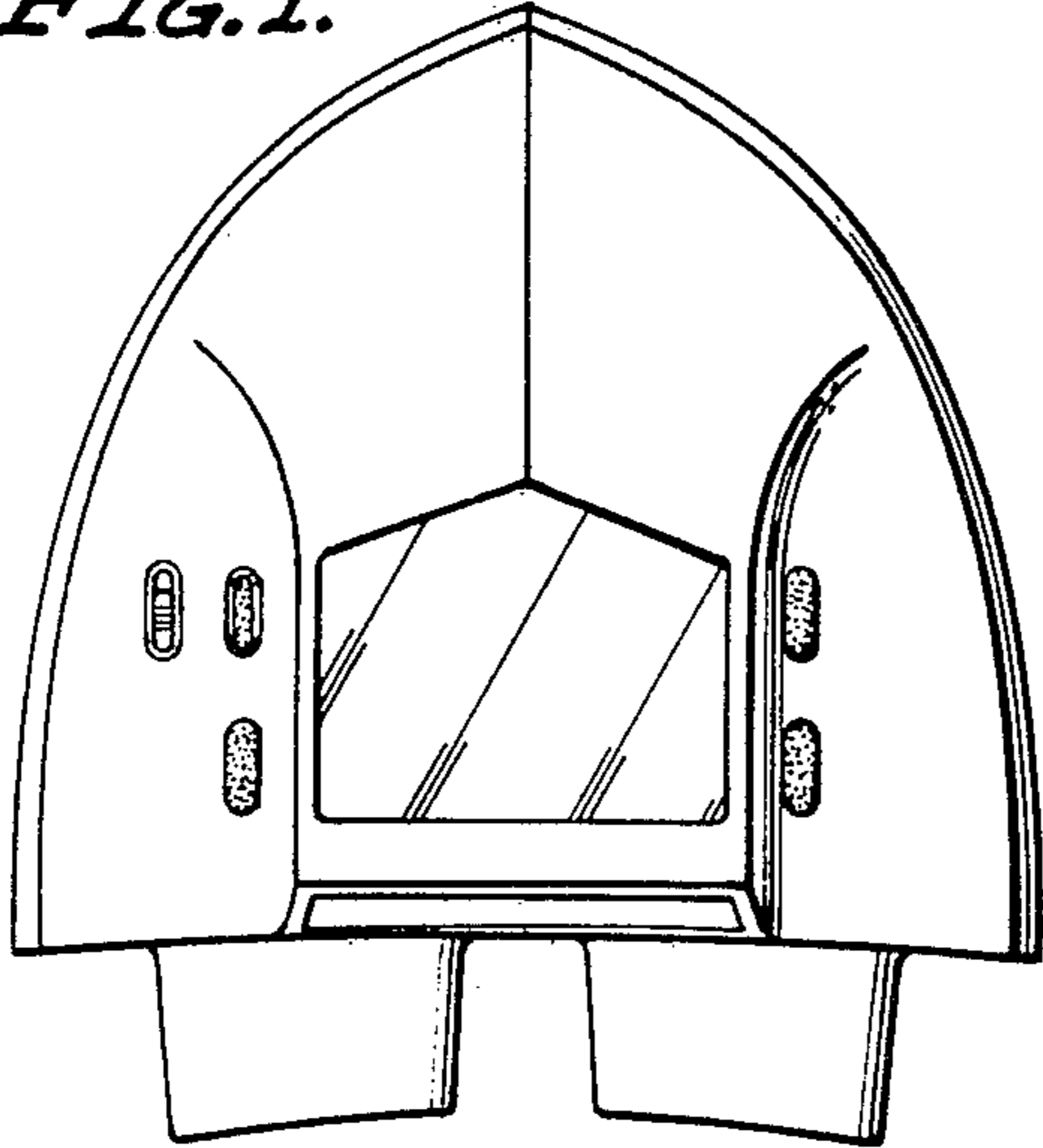


FIG. 2.

FIG. 3.

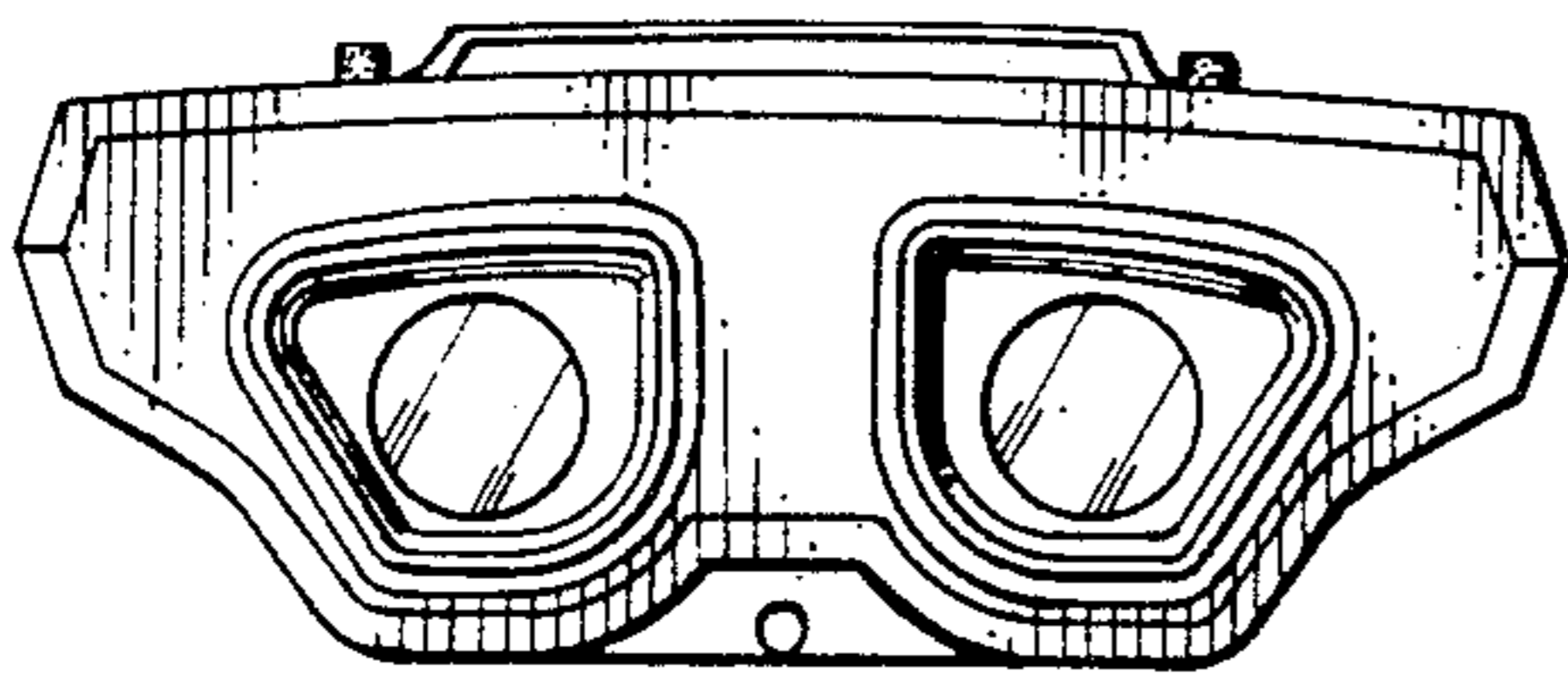


FIG. 4.

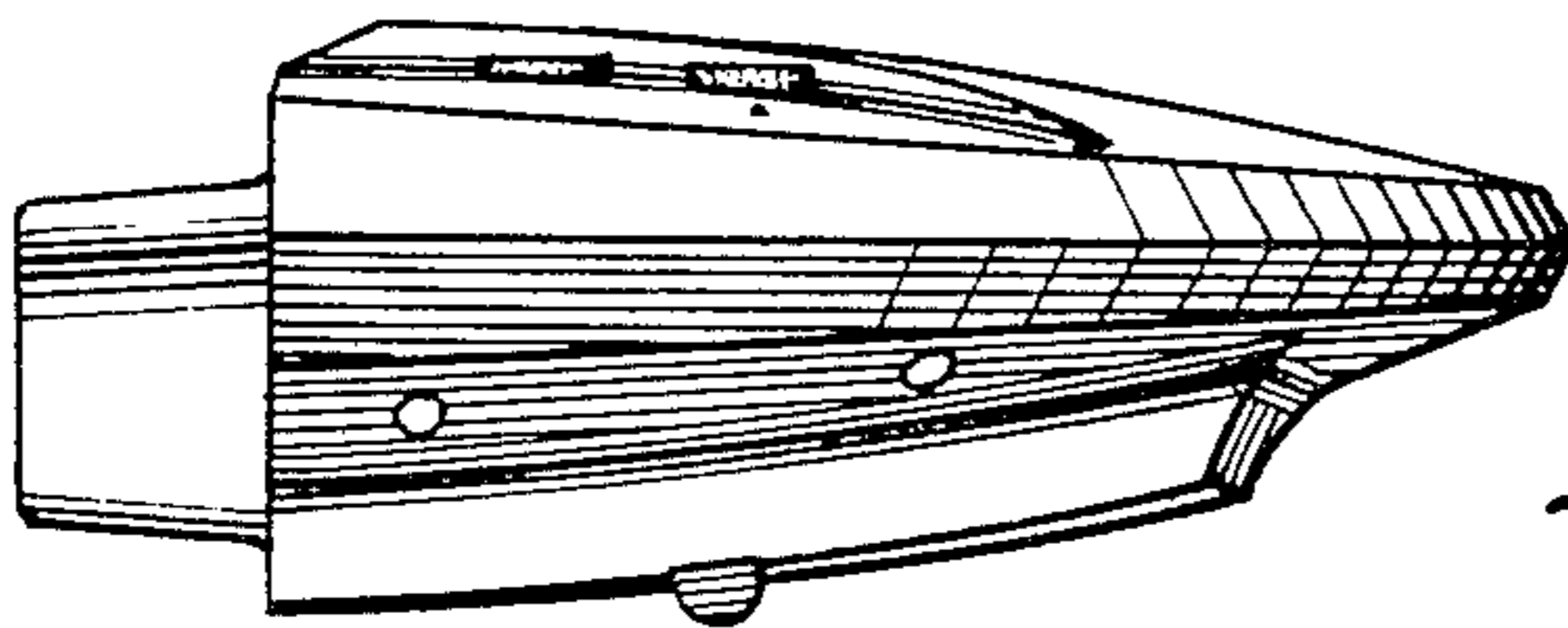
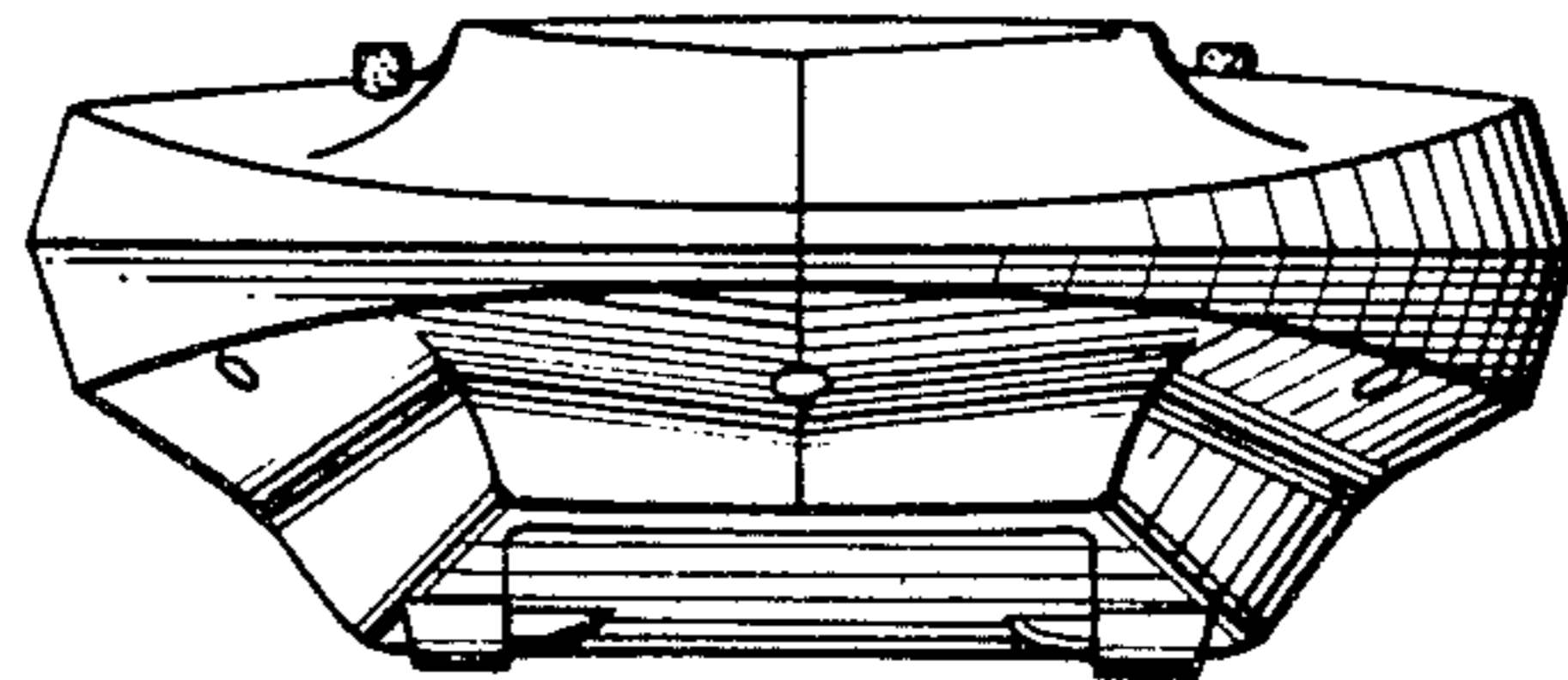


FIG. 5.

FIG. 6.

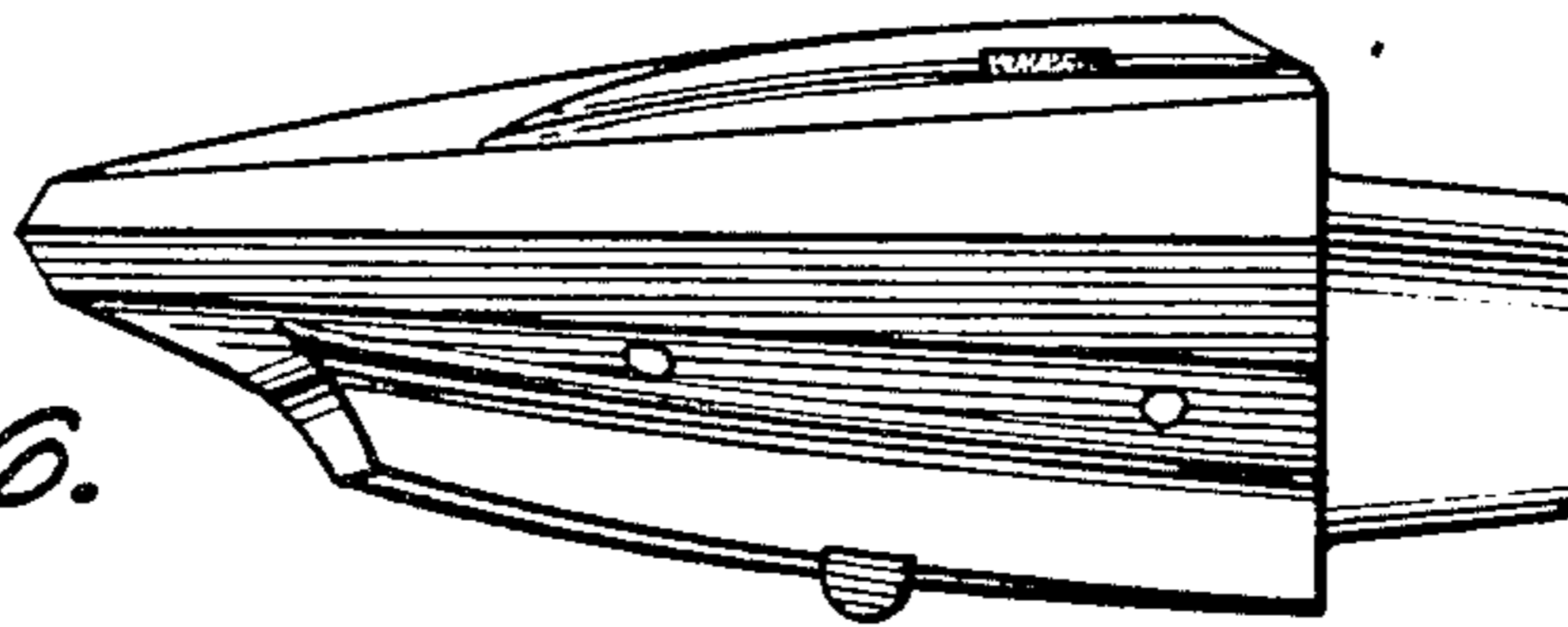


FIG. 7.

