

[54] **MOTOR SIDE COVER FOR A ROBATIC ARM**

[56] **References Cited**

U.S. PATENT DOCUMENTS

- D. 53,938 10/1919 Shanklin D15/128
- D. 273,300 4/1984 Molaug D15/199
- 3,572,519 3/1971 Tezuka 901/49

[75] **Inventors: Donald D. Varner, Gilroy; G. W. Rhodes, Los Altos Hills, both of Calif.**

Primary Examiner—Wallace R. Burke
Assistant Examiner—R. C. Anderson

[73] **Assignee: Microbit Inc., Mountain View, Calif.**

[57] **CLAIM**

The ornamental design for a motor side cover for a robotic arm, as shown and described.

[**] **Term: 14 Years**

DESCRIPTION

[21] **Appl. No.: 438,402**

FIG. 1 is a front perspective view of a motor side cover for a robotic arm showing my new design, the broken lines are shown for illustrative purposes only and form no part of the claimed design;

FIG. 2 is a top plan view thereof;

FIG. 3 is a front elevational view thereof;

FIG. 4 is a right side elevational view thereof;

FIG. 5 is a left side elevational view thereof;

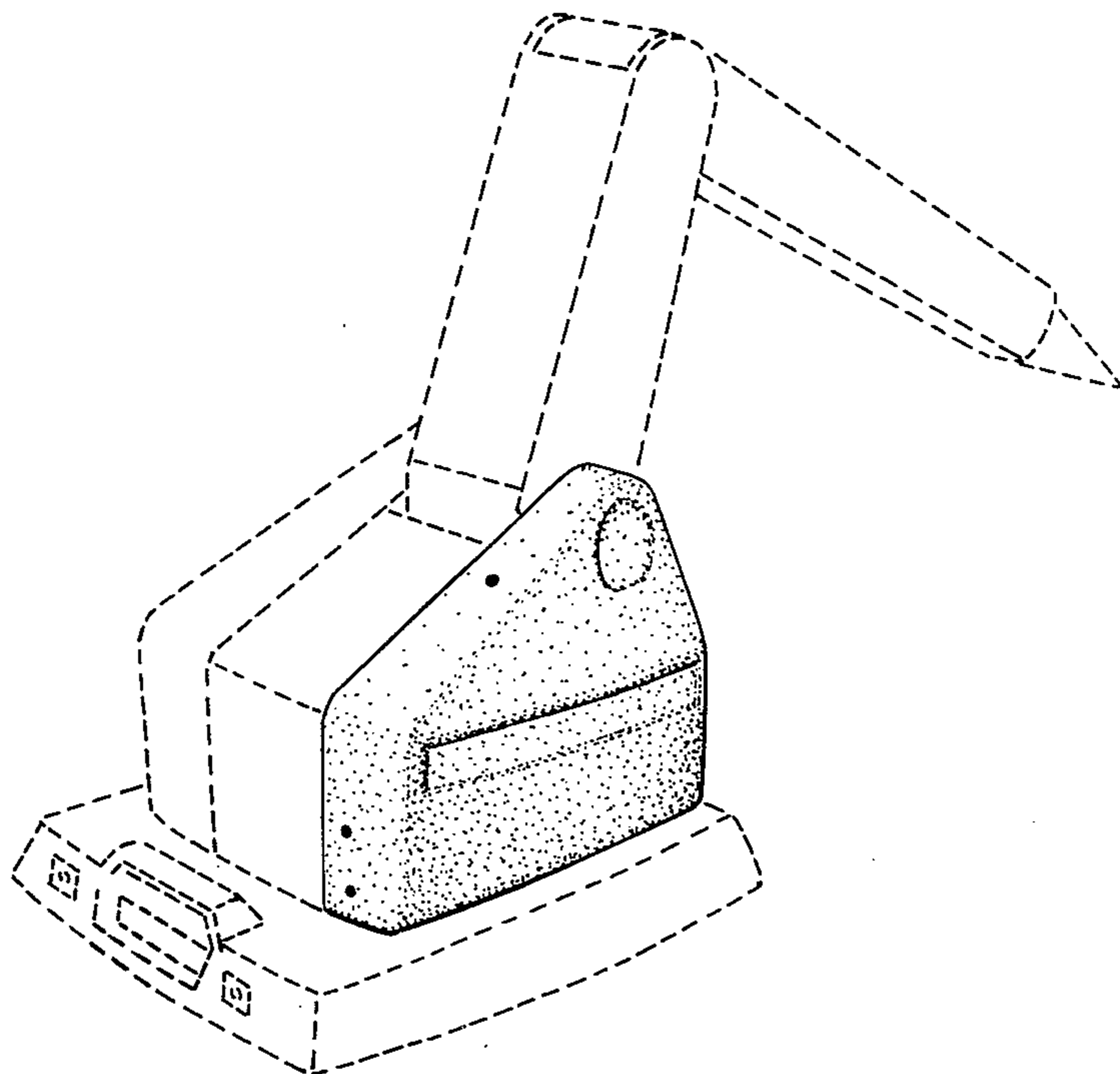
FIG. 6 being a back elevational view thereof; and

FIG. 7 being a bottom plan view thereof.

[22] **Filed: Nov. 1, 1982**

[52] **U.S. Cl. D15/199**

[58] **Field of Search D24/8, 17; D13/1, 2, D13/24, 17; D14/100, 84, 76; D15/135, 136, 84, 7, 122, 129, 128, 199; D18/11, 12; 29/33.2; D11/86; 901/49, 15, 3, 43, 37, 38**



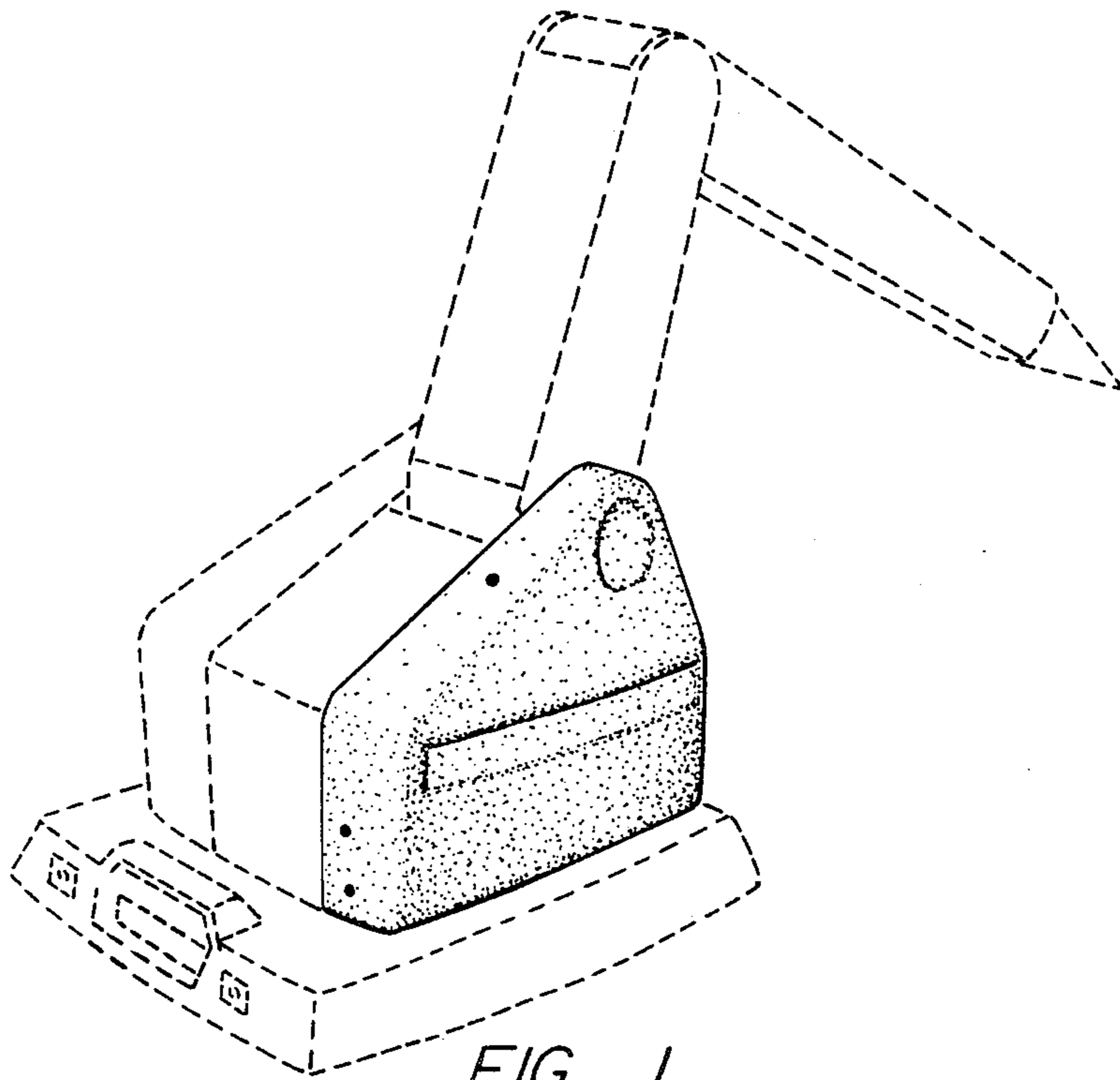


FIG. 1.

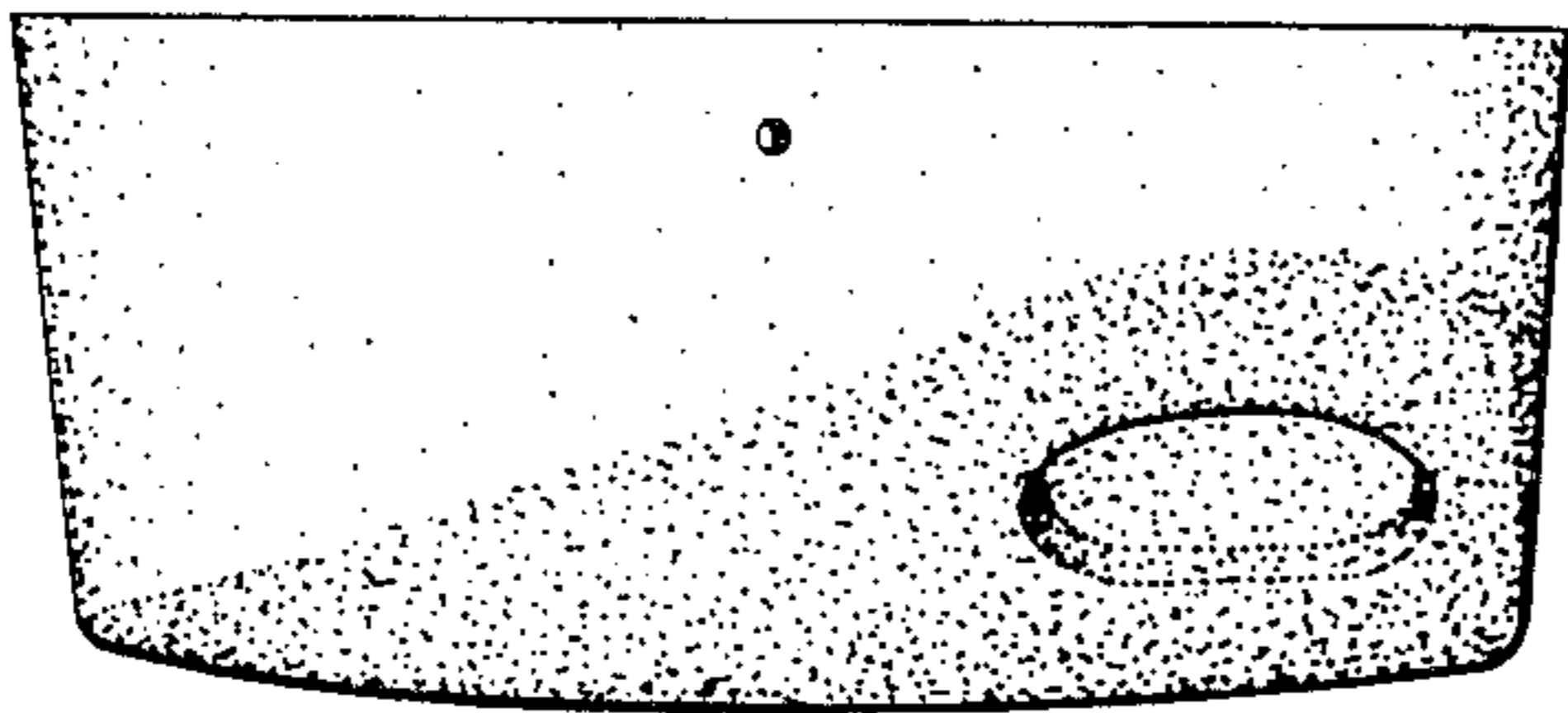


FIG. 2.

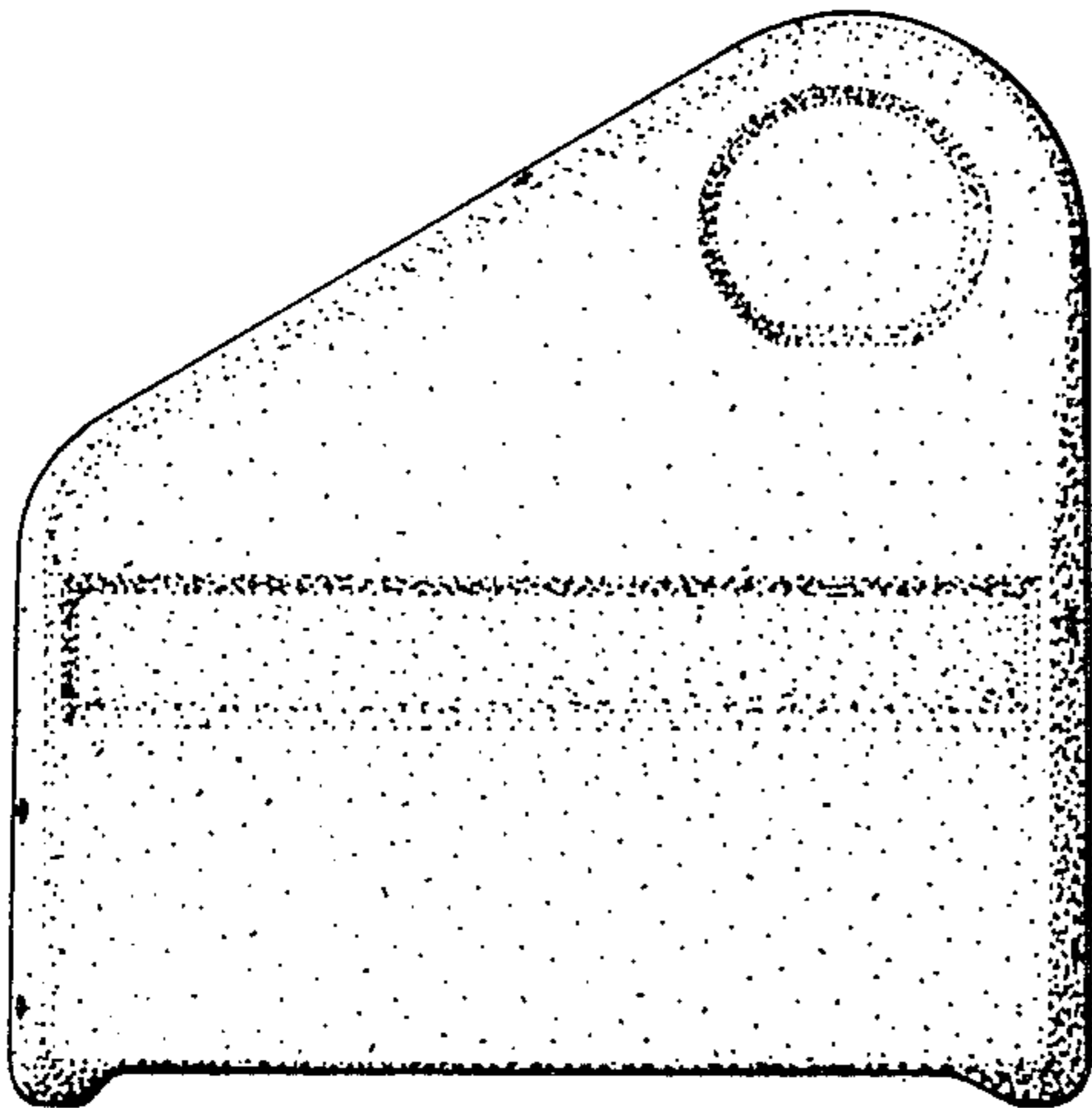


FIG. 3.

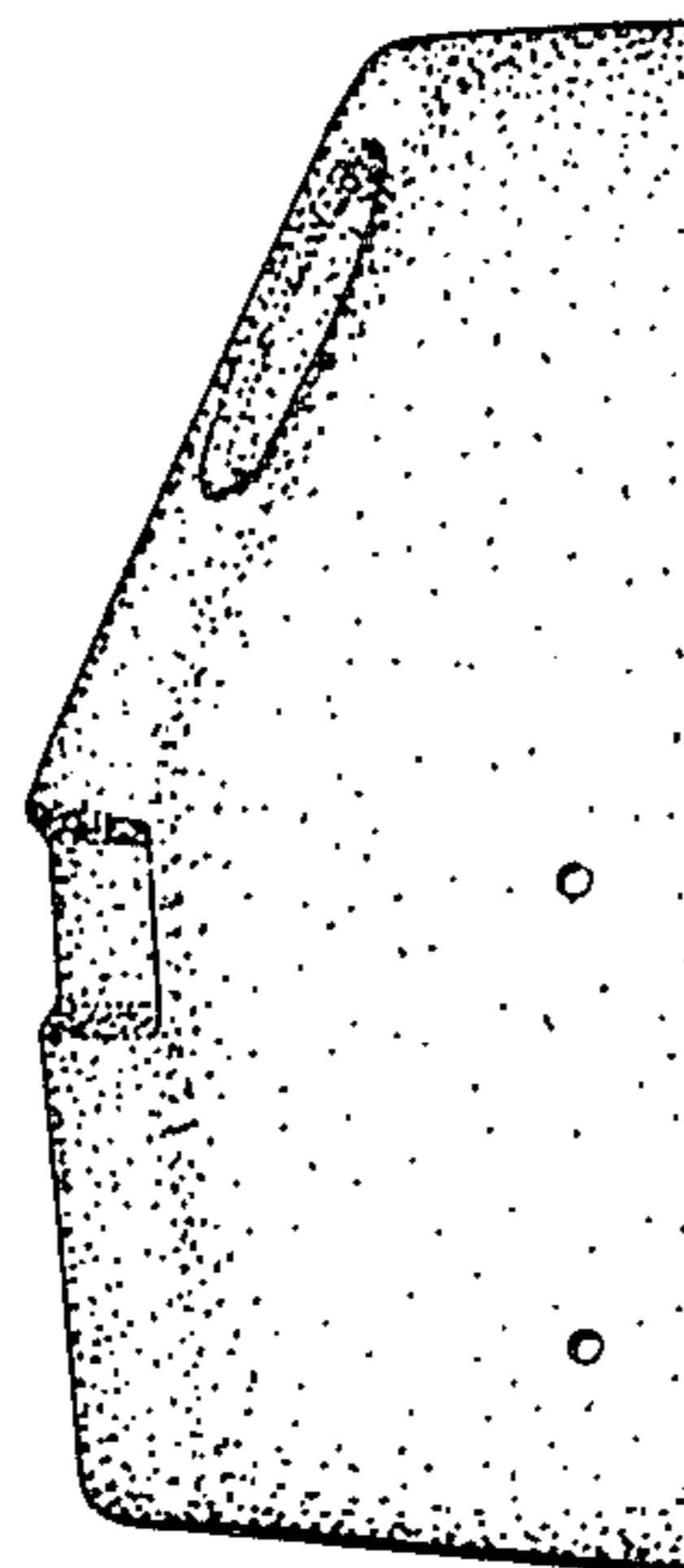


FIG. 4.

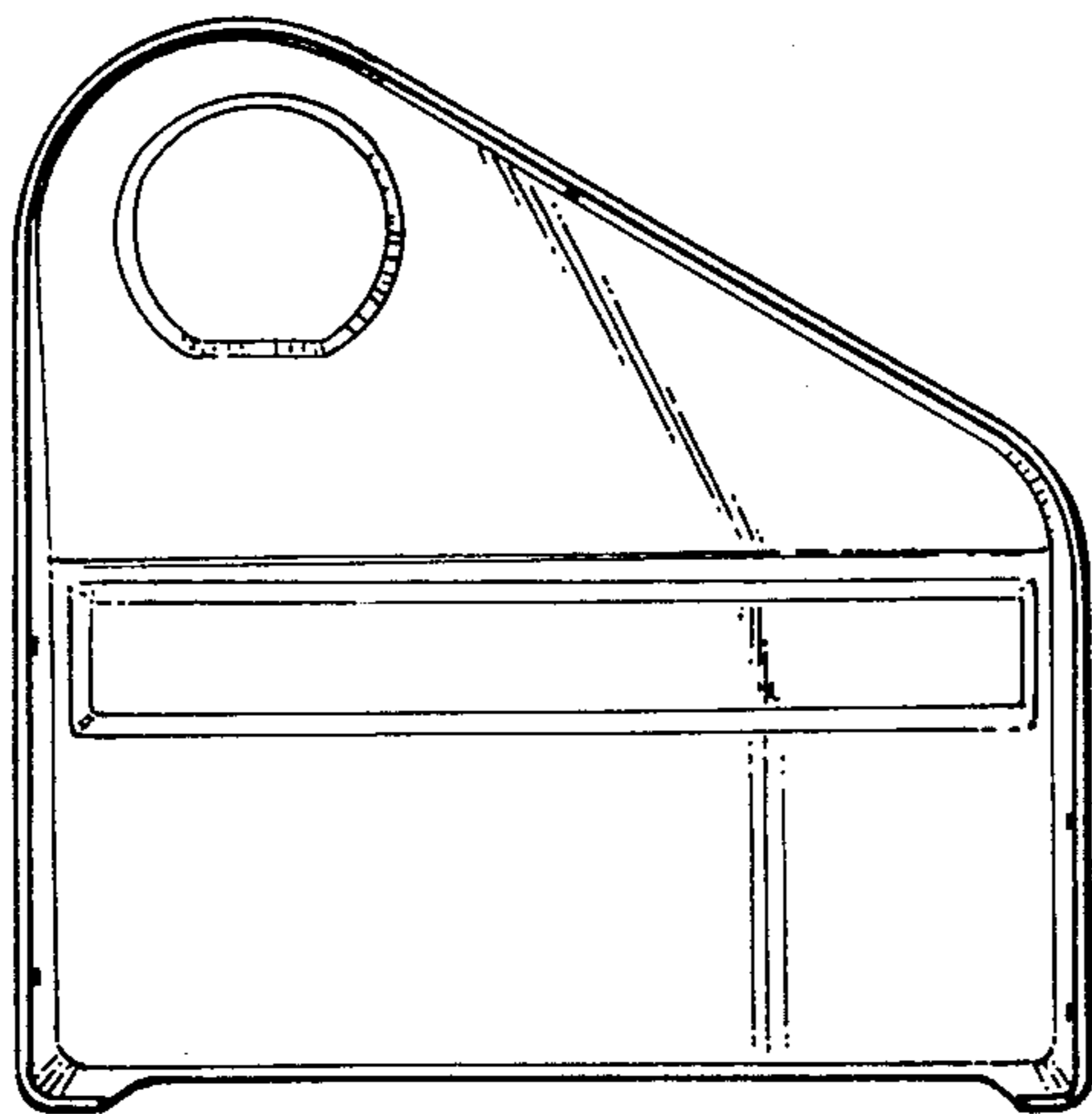


FIG. 6.

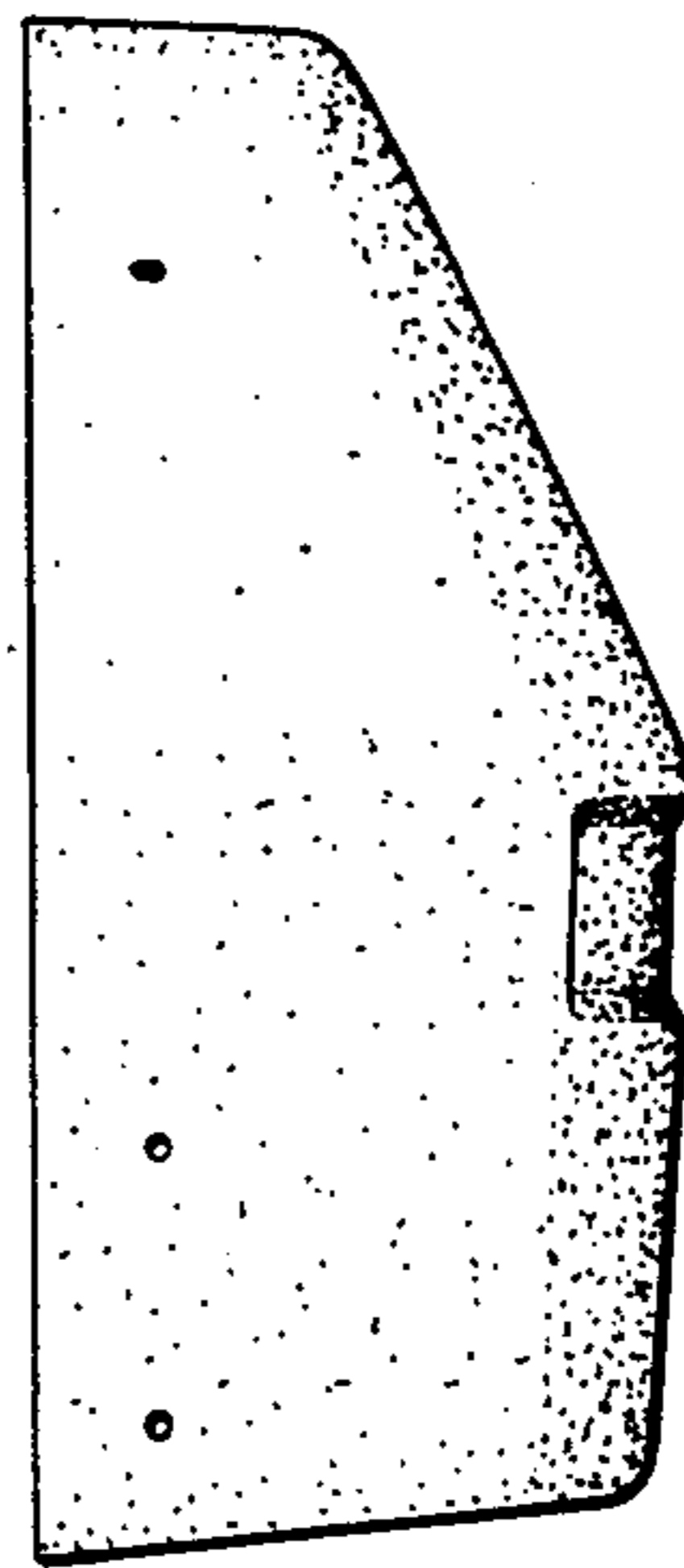


FIG. 5.

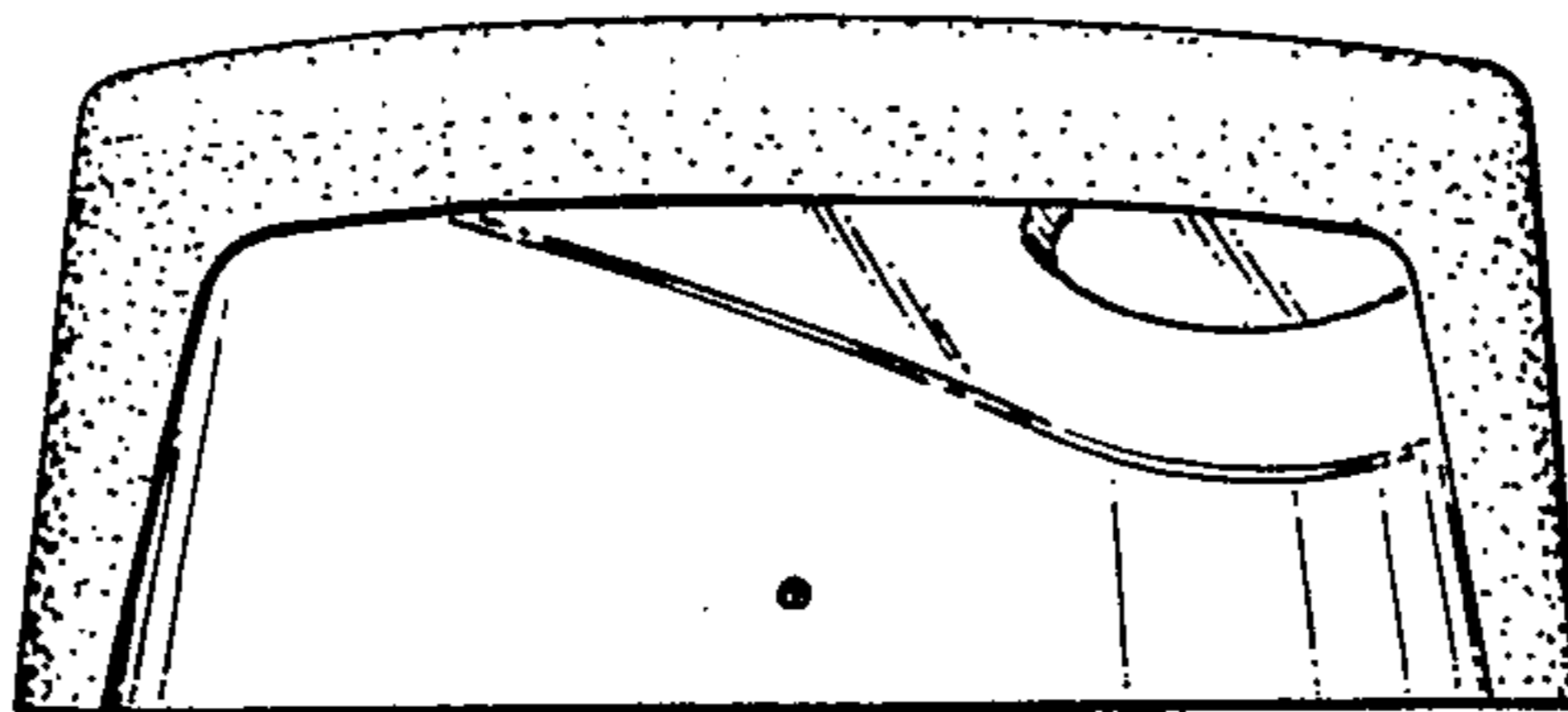


FIG. 7.

UNITED STATES PATENT AND TRADEMARK OFFICE
CERTIFICATE OF CORRECTION

PATENT NO. : Des. 281,884
DATED : Dec. 24, 1985
INVENTOR(S) : Donald D. Varner and G.W. Rhodes

It is certified that error appears in the above—identified patent and that said Letters Patent is hereby corrected as shown below:

In the designation of Assignee, category [73],
"Microbit" should be --Microbot--.

In the designation of category [54], "ROBATIC"
should be --ROBOTIC--.

Signed and Sealed this
Twentieth Day of May 1986

[SEAL]

Attest:

Attesting Officer

DONALD J. QUIGG

Commissioner of Patents and Trademarks